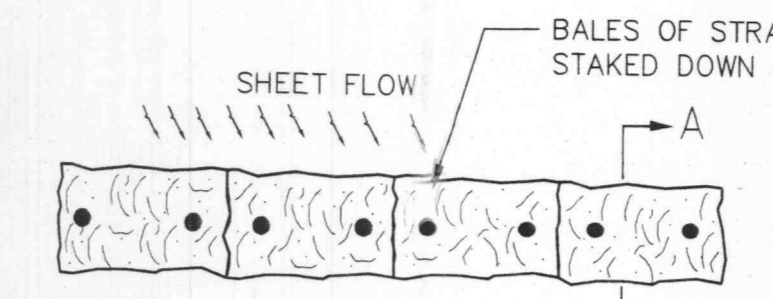


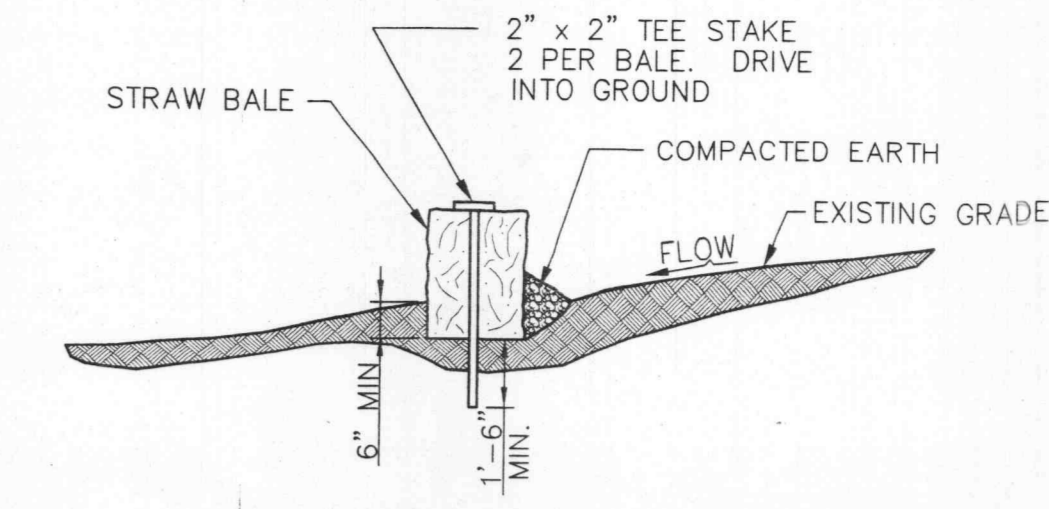
AREA INLET
NOT TO SCALE

EROSION CONTROL NOTES

1. ADDITIONAL STRAW BALES MAY BE REQUIRED AS DIRECTED BY THE ENGINEER.
2. SILTATION CONTROL DEVICES TO REMAIN IN PLACE UNTIL ADEQUATE VEGETATION GROWTH INSURES NO FURTHER EROSION OF SOIL.
3. STRAW BALES SHALL BE INSPECTED PERIODICALLY FOR DETERIORATION. BALES WHICH HAVE ROTTED OR FAILED SHALL BE REPLACED AS DIRECTED BY THE DEPARTMENT.



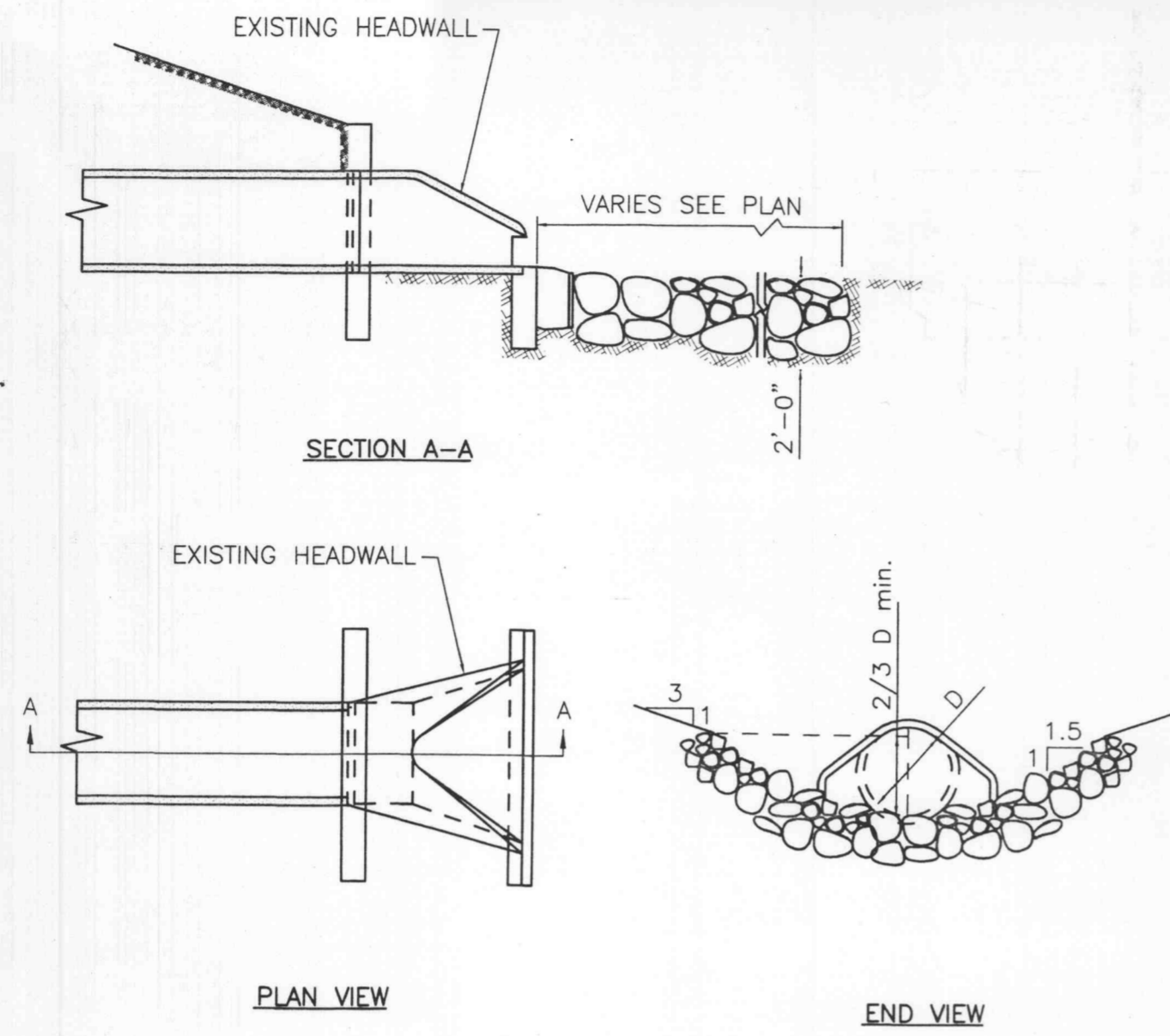
PLAN



SECTION B-B

STRAW BALE DETAIL

NOT TO SCALE



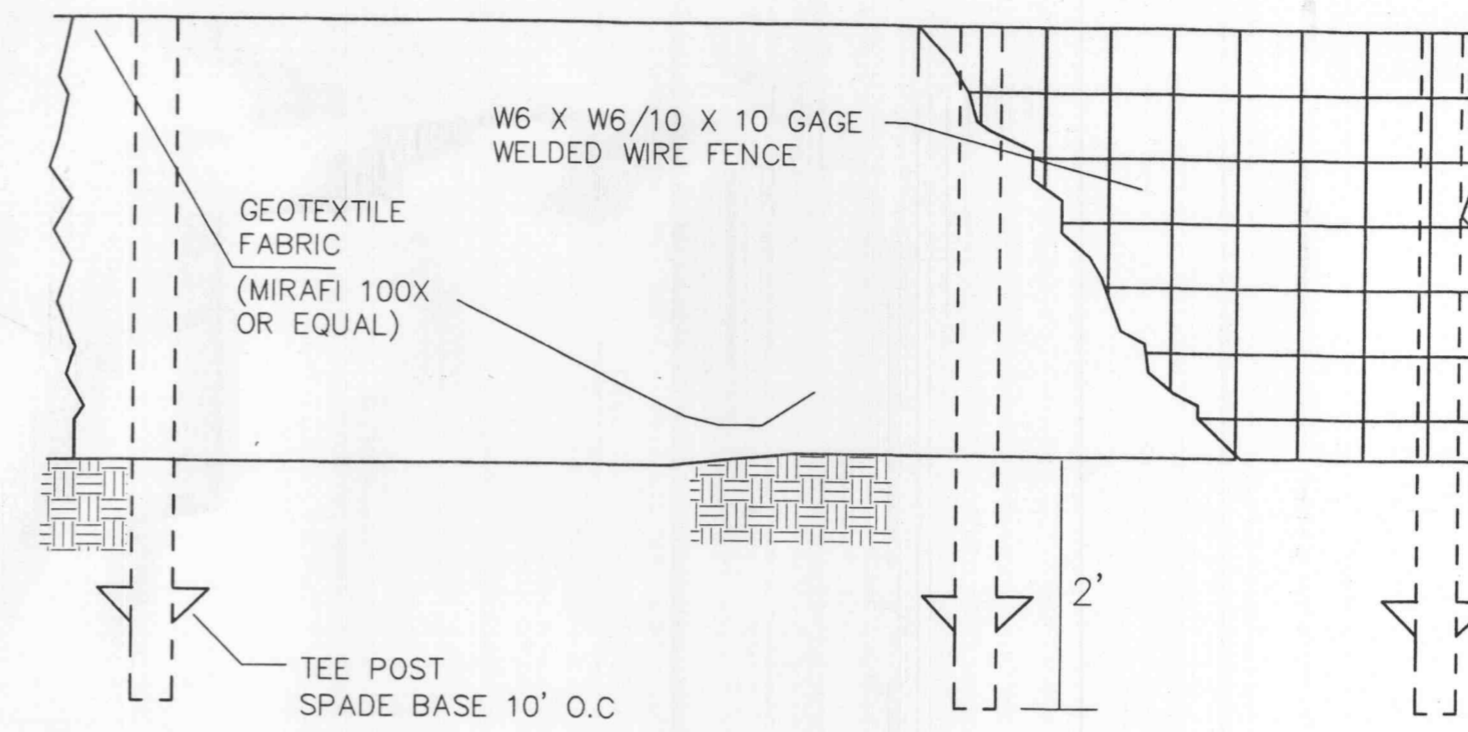
SECTION A-A

PLAN VIEW

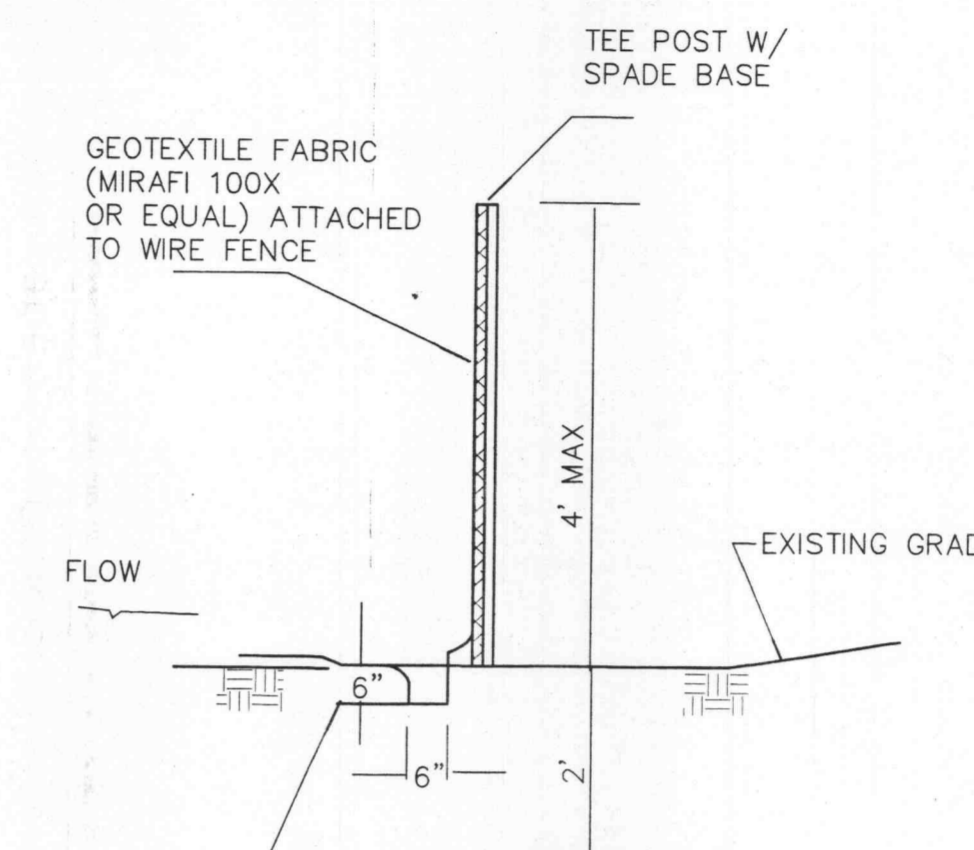
END VIEW

RIP-RAP DETAIL

NOT TO SCALE



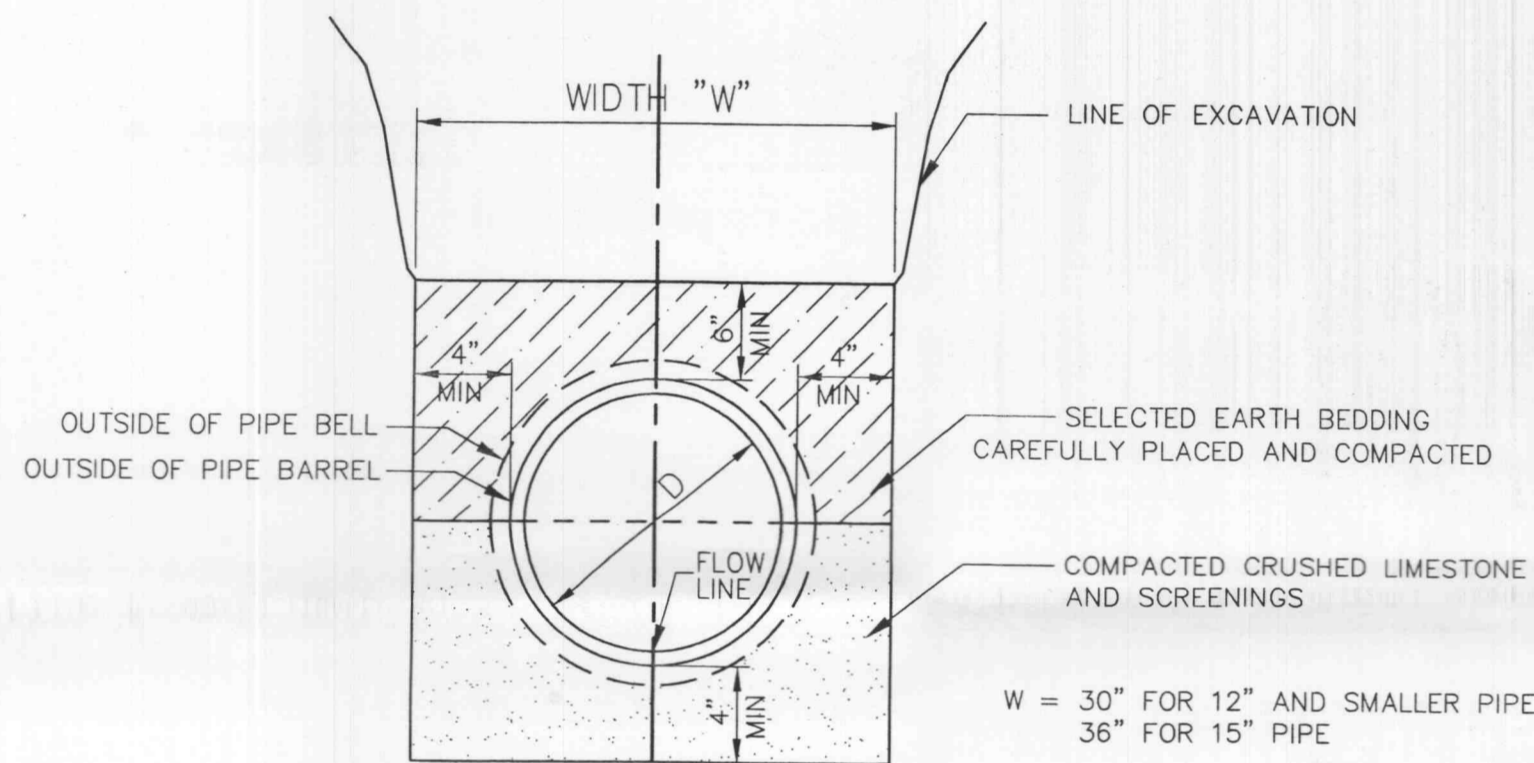
ELEVATION



SECTION B-B

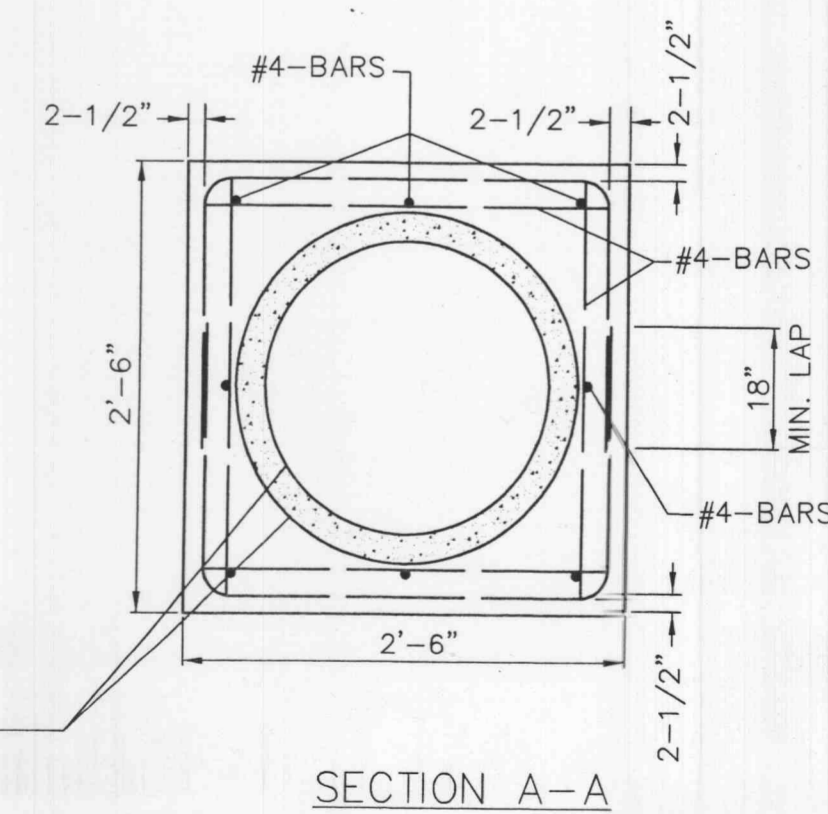
SILT FENCE DETAIL

NOT TO SCALE

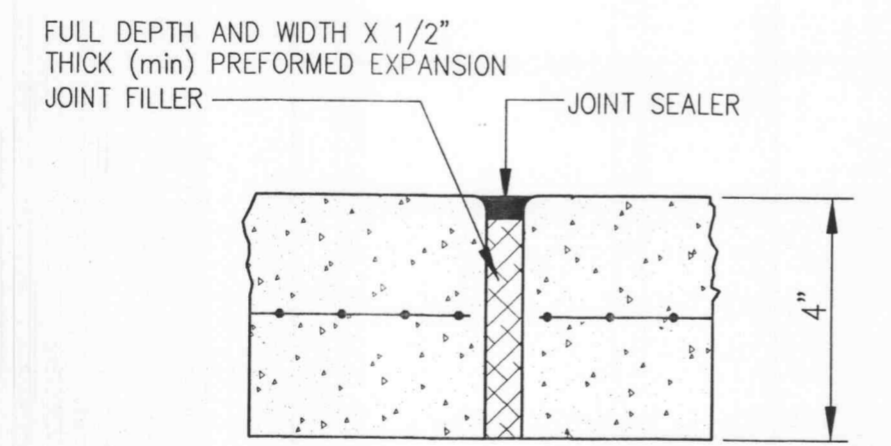


STANDARD BEDDING DETAIL

NOT TO SCALE



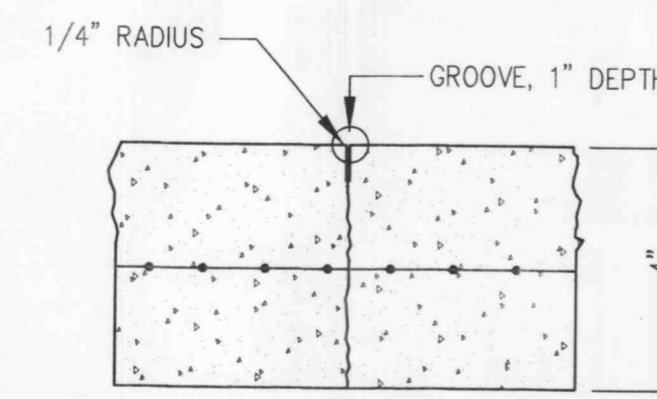
SECTION A-A



NOTE: EXPANSION JOINT EVERY 5th CONTRACTION JOINT
NOTE: PROVIDE 1/4" RADIUS ON ALL EXPOSED EDGES

CONCRETE EXPANSION JOINT

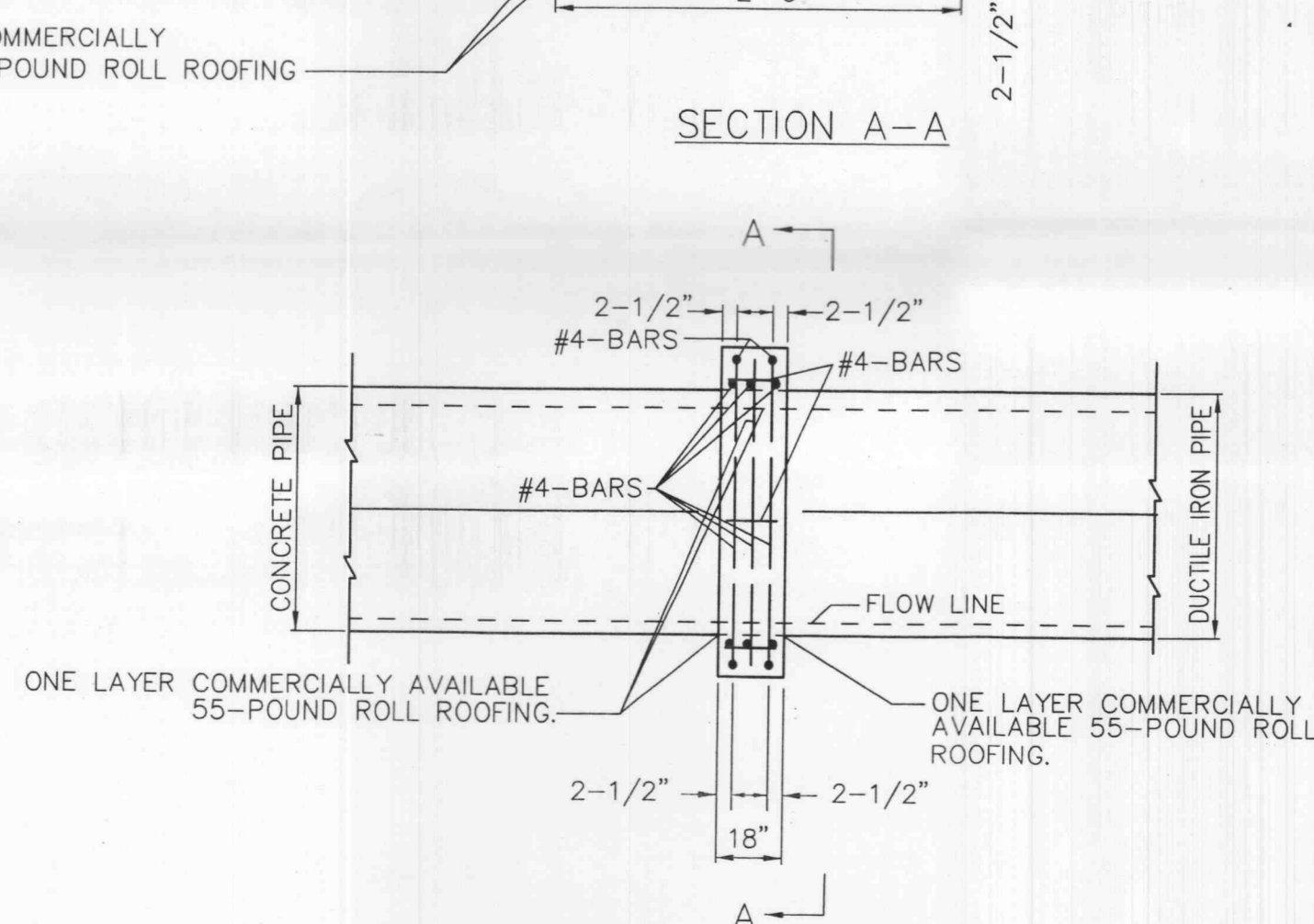
NOT TO SCALE



NOTE: CONTRACTION JOINTS PLACED AS SHOWN ON PLANS
NOTE: PROVIDE 1/4" RADIUS ON ALL EXPOSED EDGES

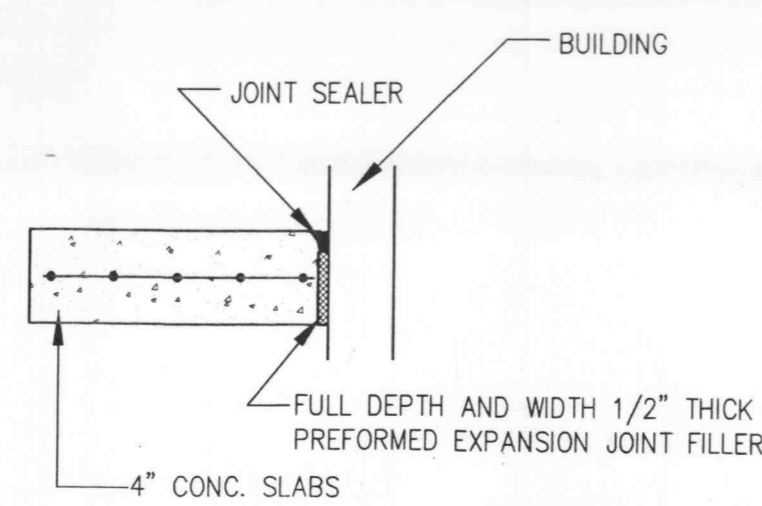
CONCRETE CONTRACTION JOINT

NOT TO SCALE



TYPE A COLLAR

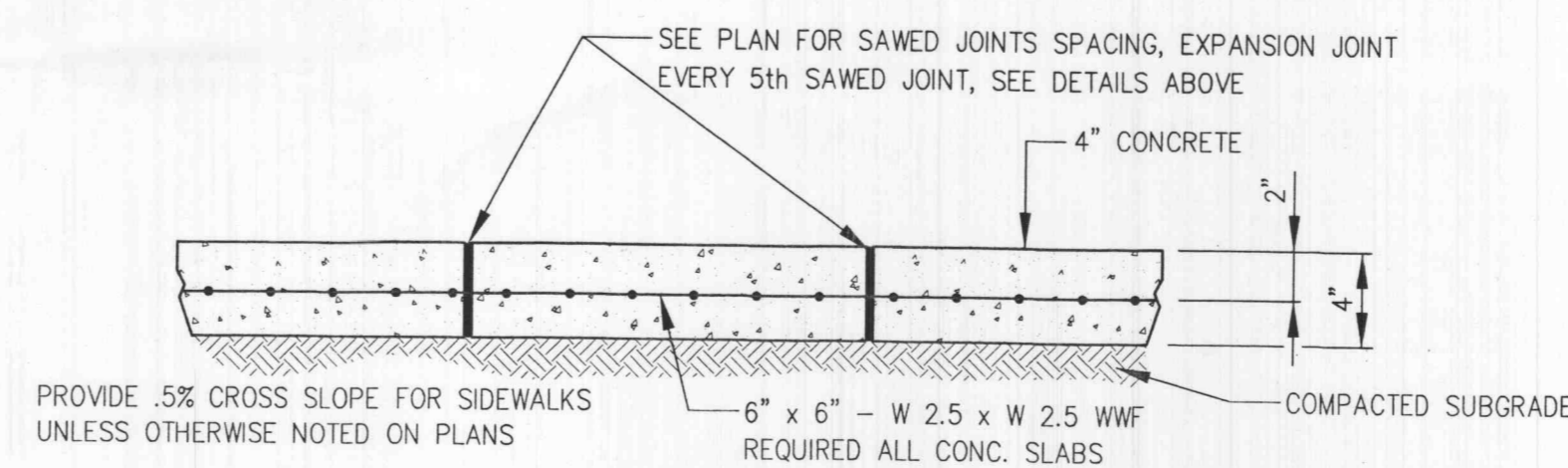
NOT TO SCALE



NOTE: PROVIDE 1/4" RADIUS ON ALL EXPOSED EDGES

EXPANSION JOINT AT BUILDING DETAIL

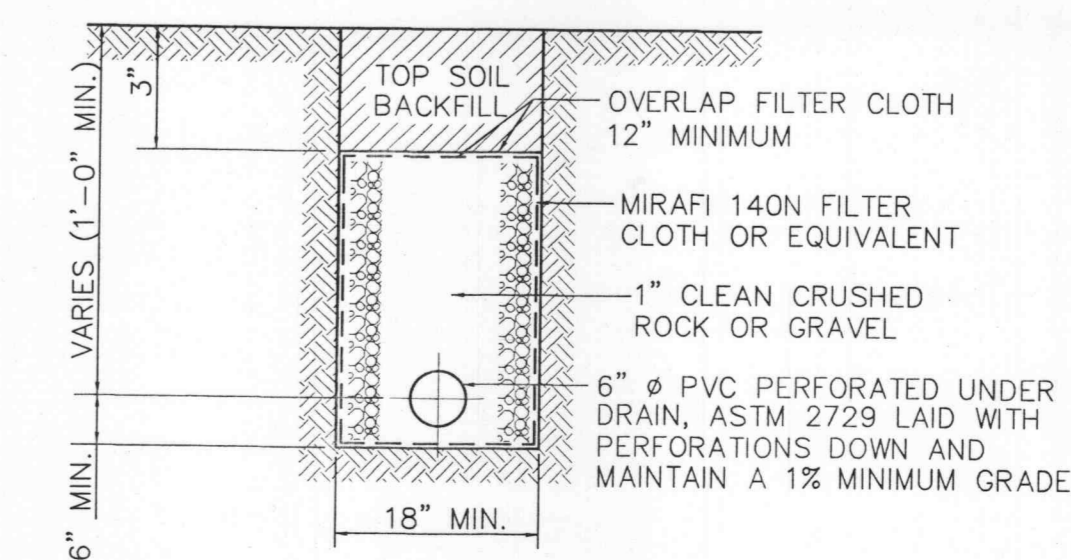
NOT TO SCALE



NOTE: PROVIDE 1/4" RADIUS ON ALL EXPOSED EDGES

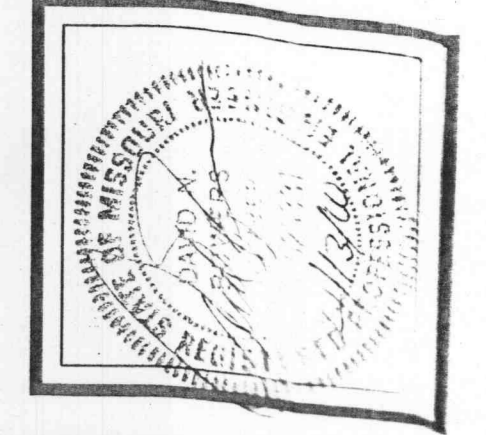
CONCRETE DETAIL

NOT TO SCALE



FRENCH DRAIN DETAIL

NOT TO SCALE



TECH SERVICES
7151 N. LINDBERGH BLVD.
HALL COUNTY, MO. 63042
FAX (314) 371-1665

DMA Design
A Division of The DMA Corporation
architects engineers construction managers
2299 South Spodee Warrenton, MO 63383

ADDITION TO:
MOUNT HOPE ELEMENTARY SCHOOL
FORT ZUMWALT SCHOOL DISTRICT

DATE: 08-11-99
DETAILS
REVISIONS:

Proj. No. 390194

C-2