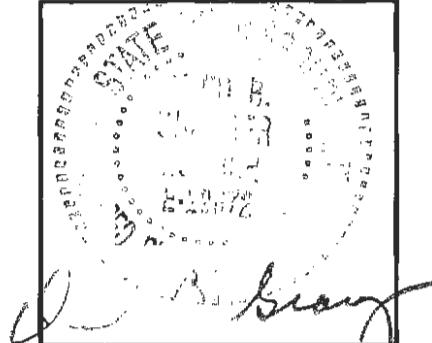


Drawing File: 200509055_Civil_Construction_Documents_recover.dwg
 Drawing name: G:\Civil\200509055\Uwg\Construction_Documents\Civil\200509055_Civil_Construction_Documents_recover.dwg
 Mar 16, 2007 - 4:30pm

National City



REV.	DATE	DESCRIPTION
A	3-16-07	REVISED PER CITY COMMENTS / APPENDUM NO. 3

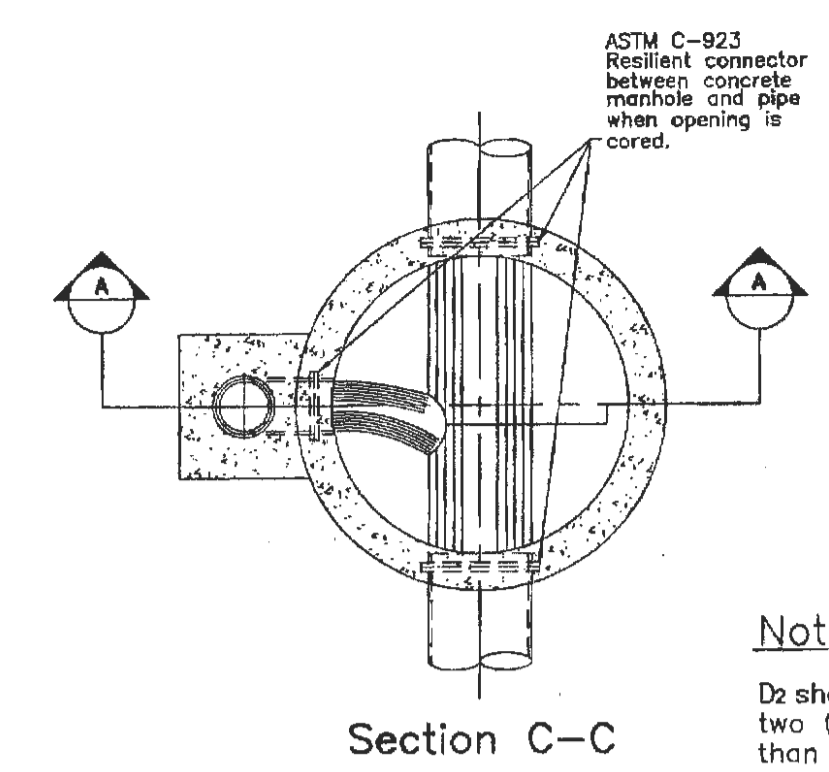
NATIONAL CITY BANK
 1400 MEXICO LOOP ROAD EAST
 O'FALLON, MO 63366

DESIGNED	DATE
R.A.B.	3-13-07
DRAWN	
M.E.O.	3-13-07
CHECKED	

JOB NO.
2005090.55

C-504

D ₁ (Inches)	D ₂ (Inches)
6	8
8	8
10	8
12	8
15	10
18	12
21	15
24	18



Section C-C

Notes:

D₂ shall be no smaller than two (2) nominal diameters less than D₁, but not less than 8".

Details and material for drop manhole shall be same as for standard manhole except for lateral sewer connection as shown.

Manhole to be cast-in-place concrete or Type "A" w/ precast concrete sections and bottom (as shown).

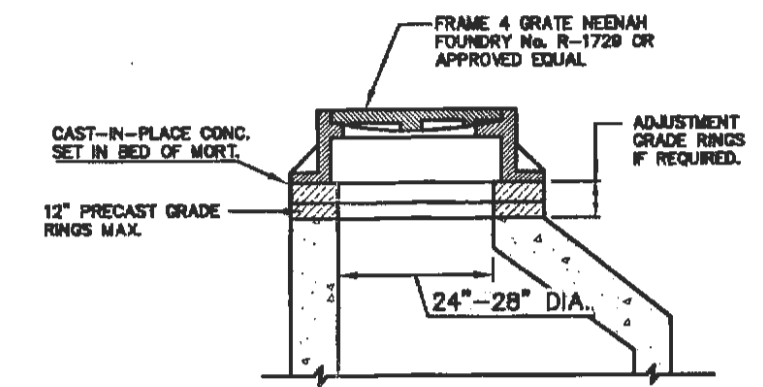
Invert of elbow to be placed even with the level of the bench.

Minimum wall thickness "t" for for drop manhole:
 a. 6" for cast-in-place concrete
 b. 1/12 manhole diameter for precast concrete.

Concrete for encasement shall be 3000 psi @ 28 days, minimum.

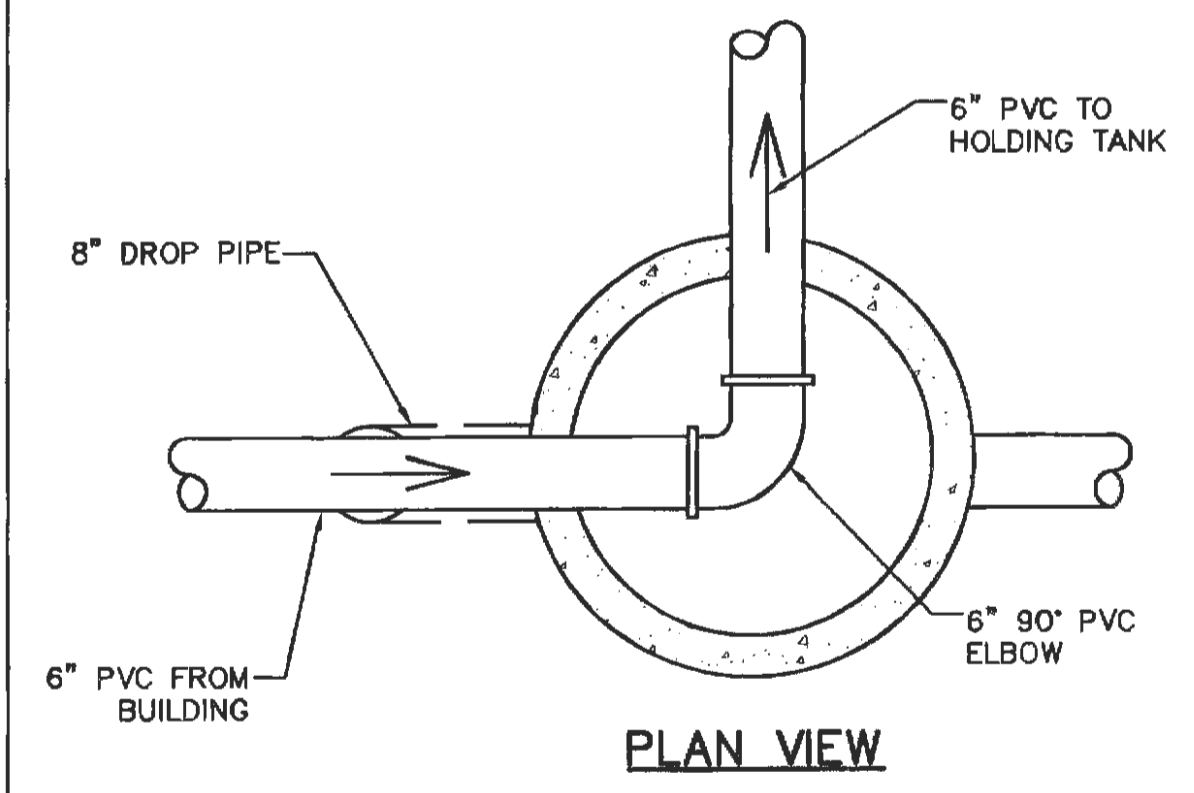
Manhole steps are omitted for clarity but shall be provided.

PVC internal connect omitted for clarity. See detail 4 this sheet.

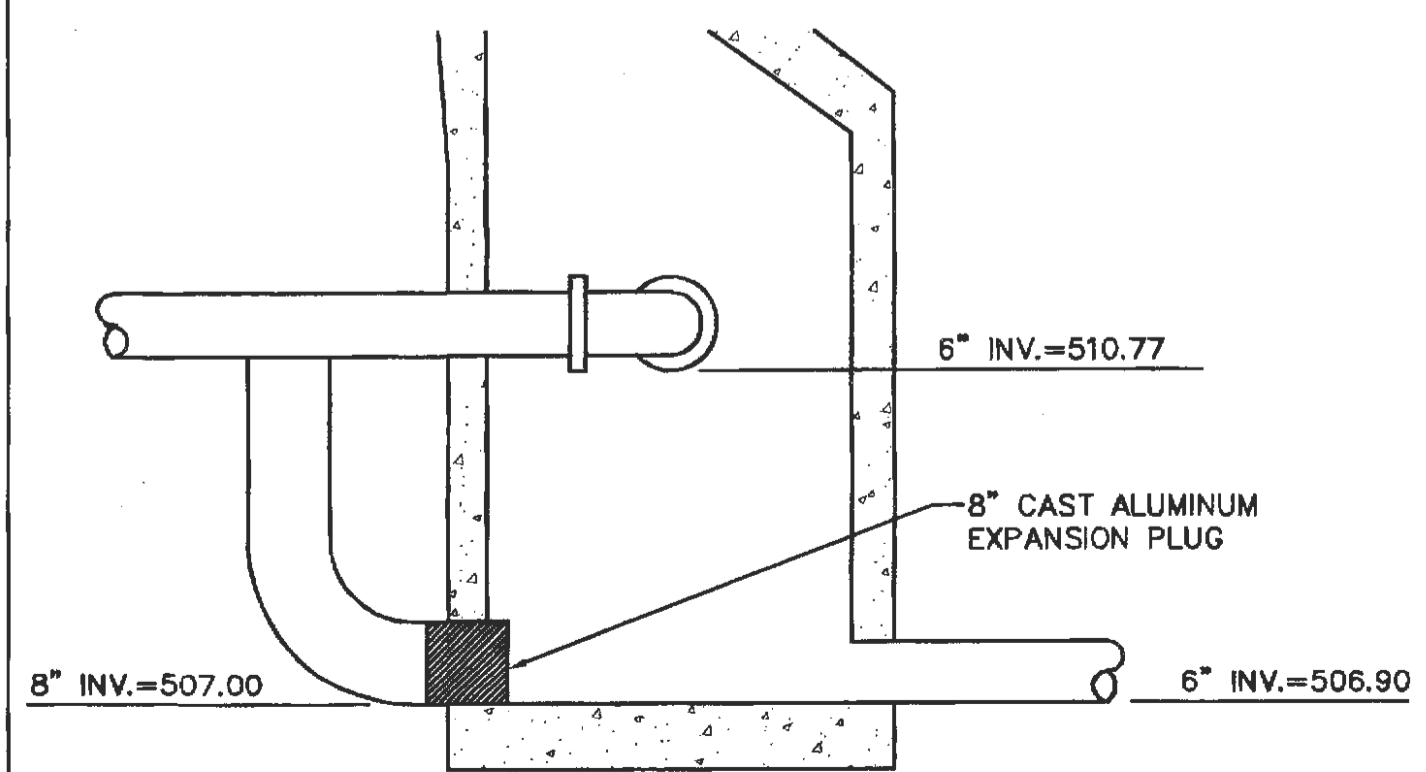


Section A-A

SANITARY SEWER DROP MANHOLE
N.T.S.



PLAN VIEW



PVC INTERNAL CONNECT
N.T.S.

13	9	5	
14	10	6	2
15	11	7	8
16	12	8	4