



Consultant Role: ARCHITECTURE,  
MEPFP ENGINEERING  
**ROSS & BARUZZINI**  
6 SOUTH OLD ORCHARD  
ST. LOUIS, MO 63119  
314.918.8383

Consultant Role: CIVIL &  
STRUCTURAL ENGINEERING  
**HORNER & SHIFRIN**  
401 SOUTH 18TH #400  
ST. LOUIS, MO 63103  
314.531.4321

John William Wohlschlaeger Jr. -  
Landscape Architect  
MO # LA - 2009014766



10/04/2017  
SWT Design, Inc.  
Missouri State Certificate of  
Authority #2006002904

KEY PLAN

Issues

No.	Description	Date
02	PRELIM P&Z	04/28/17
03	P&Z RESUBMIT	05/17/17
04	100% DD SET	06/09/17
05	50% CD SET	07/14/17
06	90% CD SET	08/01/17
07	PERMIT SET	08/18/17
08	PERMIT SET	09/22/17
09	PERMIT SET REVISIONS	10/04/17

Revisions

No.	Description	Date

SWT No. 20150.04

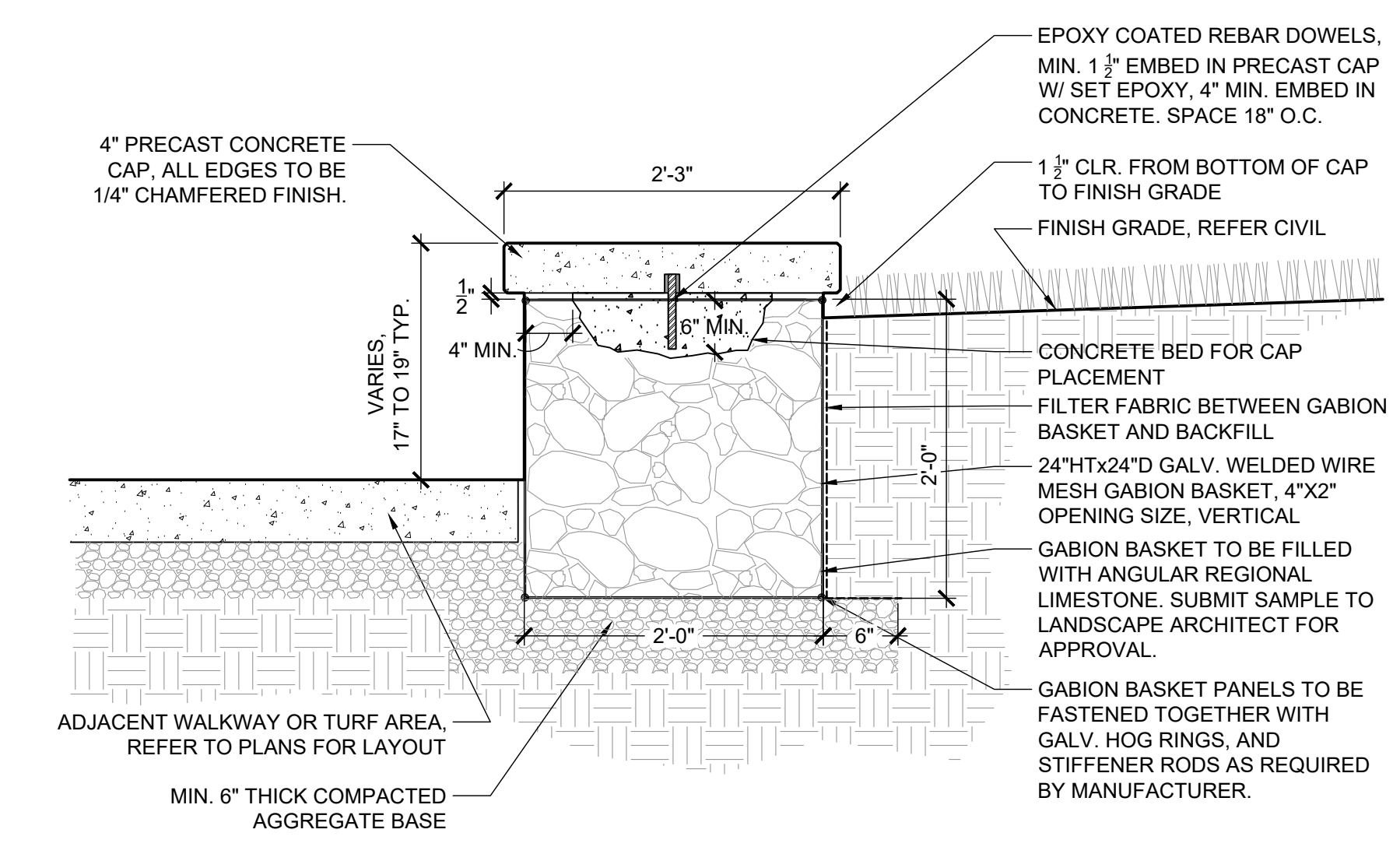
Drawn CS, SM, SR, ZS Reviewed KDR

Sheet Title

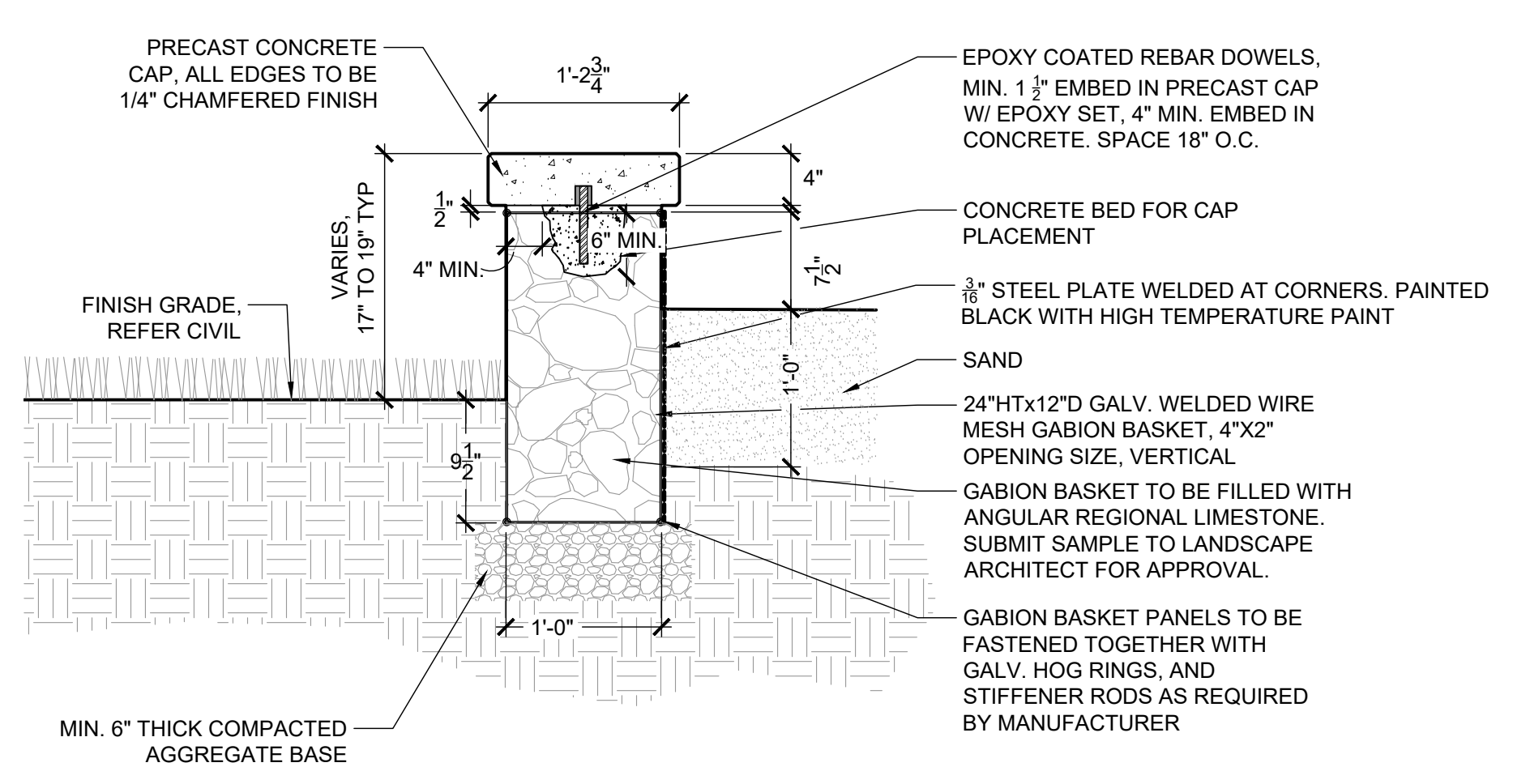
DETAILS

Number

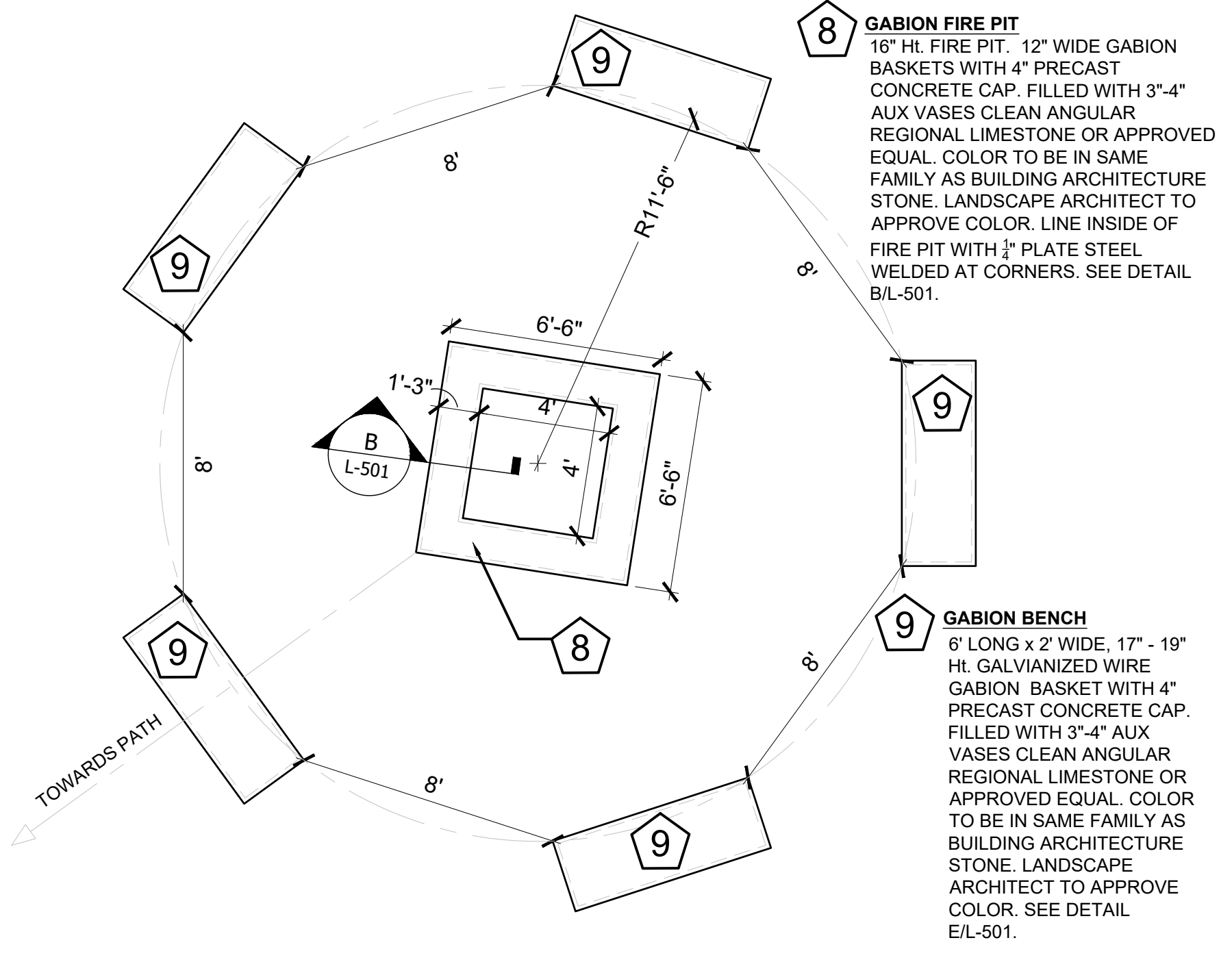
L-501



**C GABION SEATWALL - SECTION**  
SCALE: 1" = 1'-0"



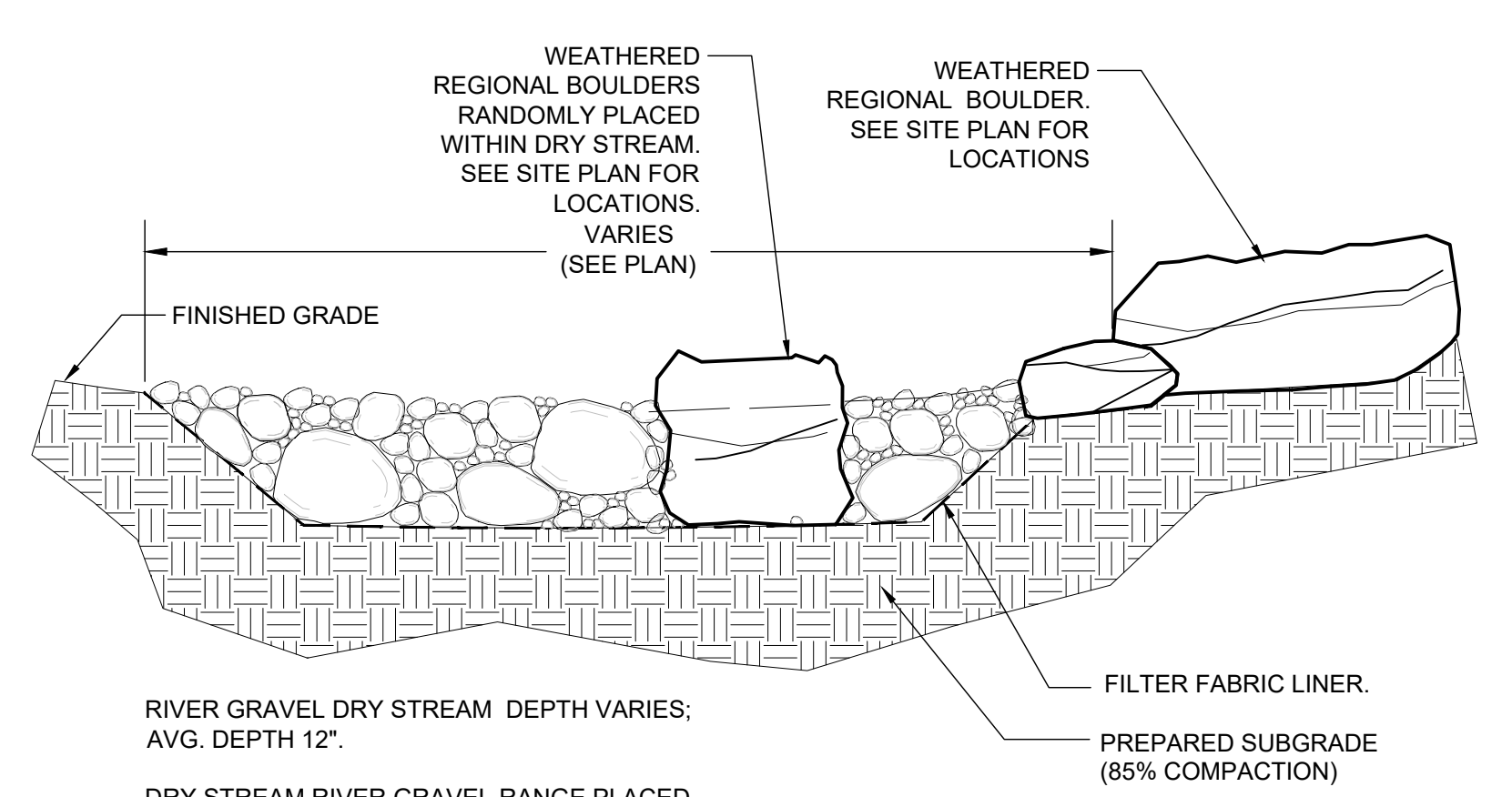
**B GABION FIRE PIT - SECTION**  
SCALE: 1" = 1'-0"



**A GABION FIRE PIT / COUNCIL RING - PLAN ELARGEMENT**  
SCALE: 1/4" = 1'-0"

Call Before you DIG  
TOLL FREE  
1-800-344-7483  
MISSOURI ONE-CALL SYSTEM INC.  
MODOT (314) 340-4100

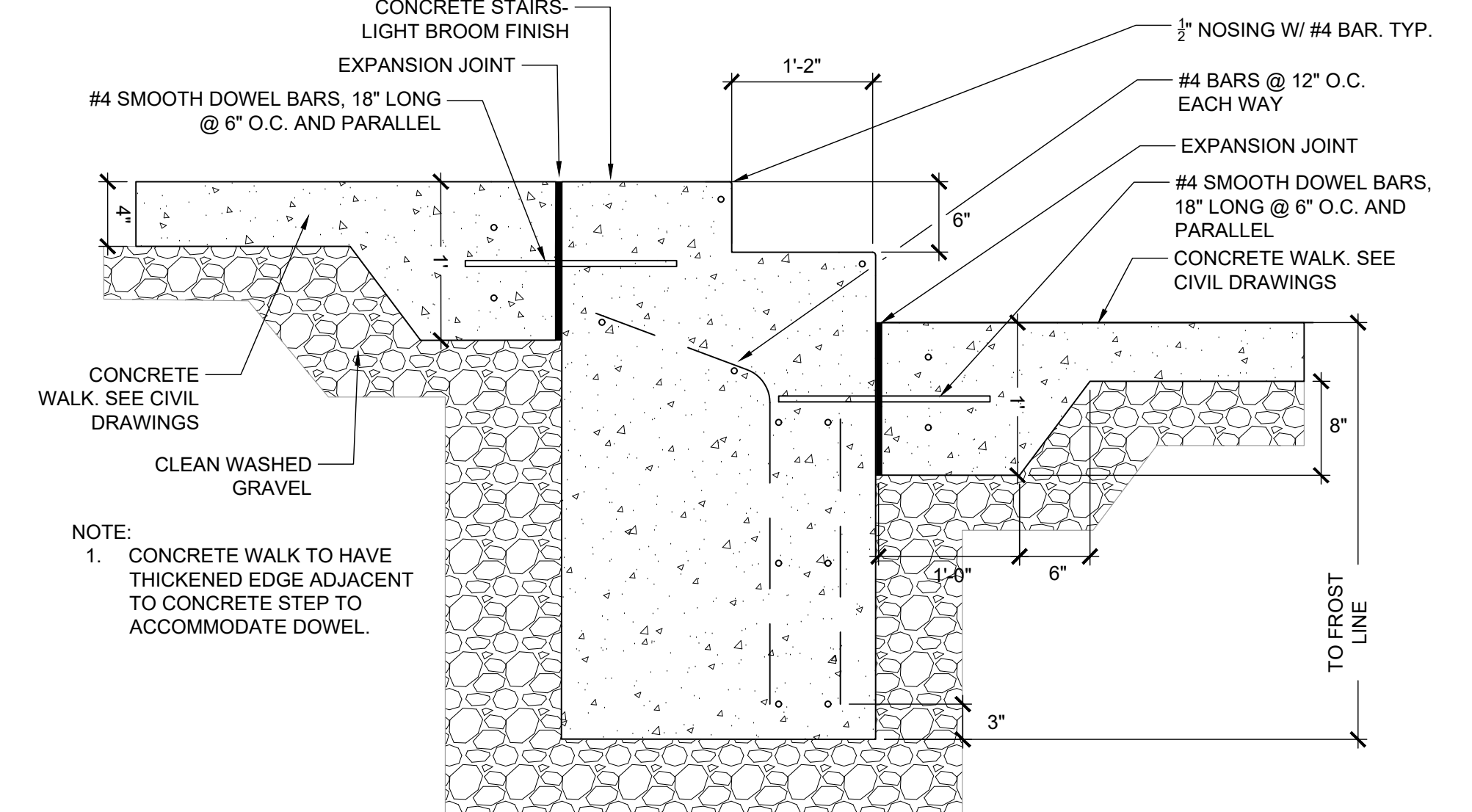
NOTIFY LANDSCAPE ARCHITECT IMMEDIATELY IN EVENTS OF DISCREPANCIES, OMISSIONS, AND/OR CONFLICTS IN THE DRAWINGS OR SPECIFICATIONS. THE CONTRACTOR IS NOT AUTHORIZED TO SCALE THE DRAWINGS. ALL QUESTIONS IN REFERENCE TO CONTRACT DOCUMENTS SHALL BE IMMEDIATELY DIRECTED TO THE LANDSCAPE ARCHITECT.



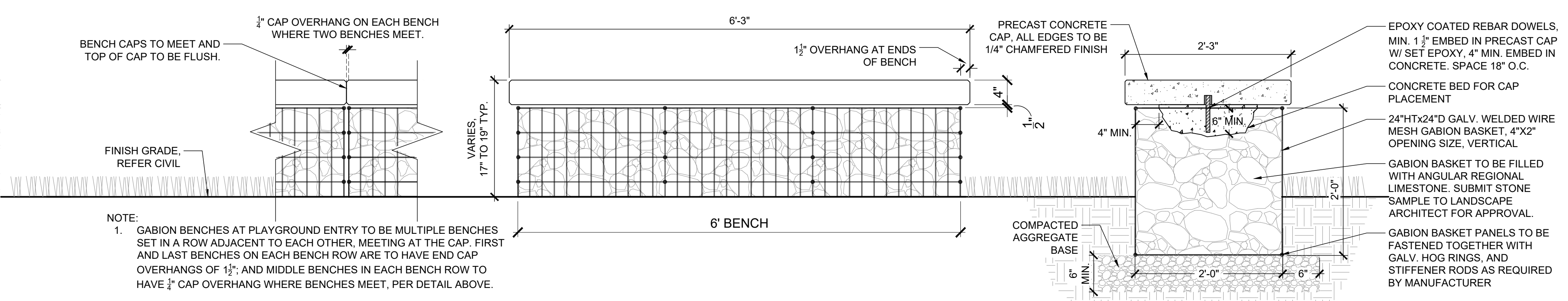
**F DRY STREAM SECTION**  
SCALE: NTS

RIVER GRAVEL DRY STREAM DEPTH VARIES; AVG. DEPTH 12".  
DRY STREAM RIVER GRAVEL RANGE PLACED IN RANDOM ORDER:  
12"-18" - 30%  
6"-10" - 50%  
3"-4" - 20%  
ADJACENT TO HEADWALL - PROVIDE LARGER STONES TO DISSIPATE WATER VELOCITY AND TRANSITION STONE SIZES.

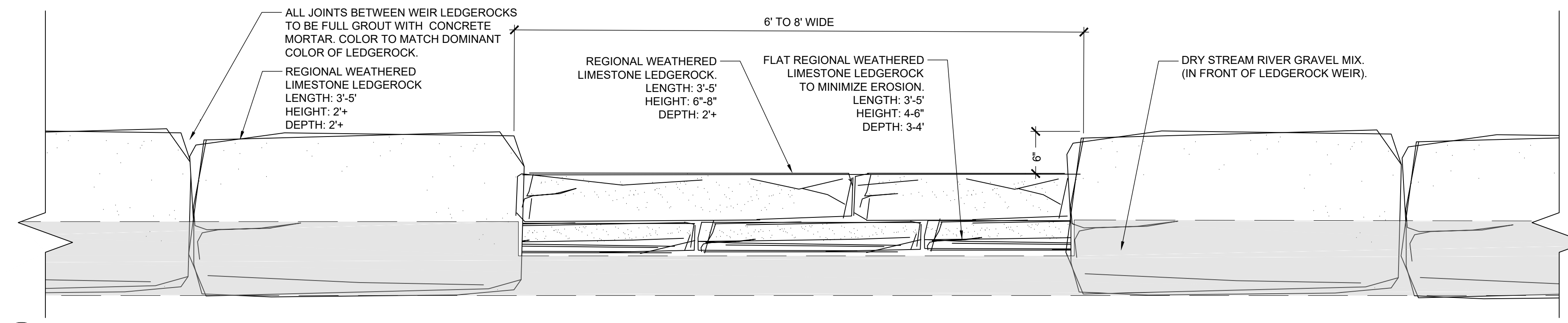
\* CONTRACTOR TO PROVIDE A 10' X 10' MOCK-UP OF DRY STREAM FOR OWNER'S APPROVAL.  
\* CONTRACTOR TO PROVIDE SAMPLES FOR COLOR AND SIZE TO OWNER FOR APPROVAL.



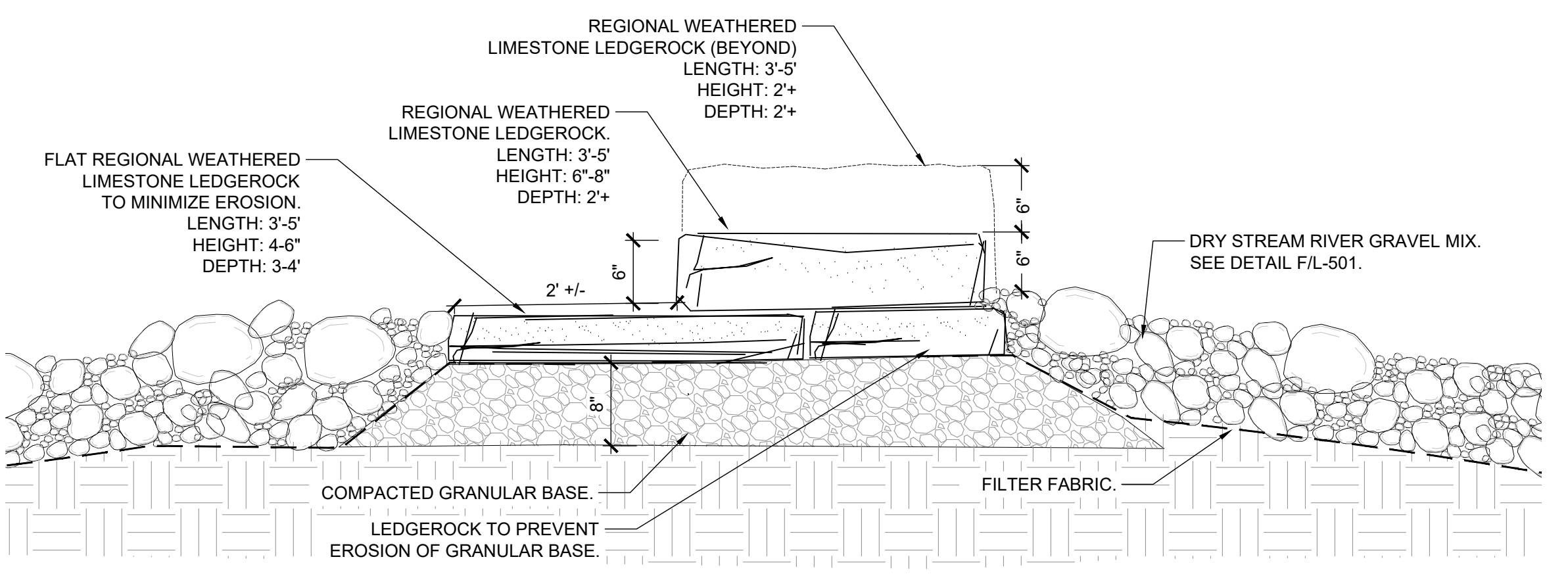
**I 2-RISER CONCRETE STAIR DETAIL**  
SCALE: 1" = 1'-0"



**E GABION BENCH - ELEVATION & SECTION**  
SCALE: 1" = 1'-0"



**H LEDGEROCK WEIR - TYPICAL ELEVATION**  
SCALE: 1" = 1'-0"



**G LEDGEROCK WEIR - TYPICAL SECTION**  
SCALE: 1" = 1'-0"



**D GABION WALL - CHARACTER REFERENCE IMAGE**  
SCALE: NTS