

Issues

No.	Description	Date
02	PRELIM P&Z	04/28/17
02	P&Z RESUBMIT	05/17/17
04	100% DD SET	06/09/17
05	50% CD SET	07/14/17
06	90% CD SET	08/01/17
07	PERMIT SET	08/18/17
08	PERMIT SET	09/22/17
09	PERMIT SET REVISIONS	10/04/17

Revisions	No.	Description	Date

SWT No. 20150.04

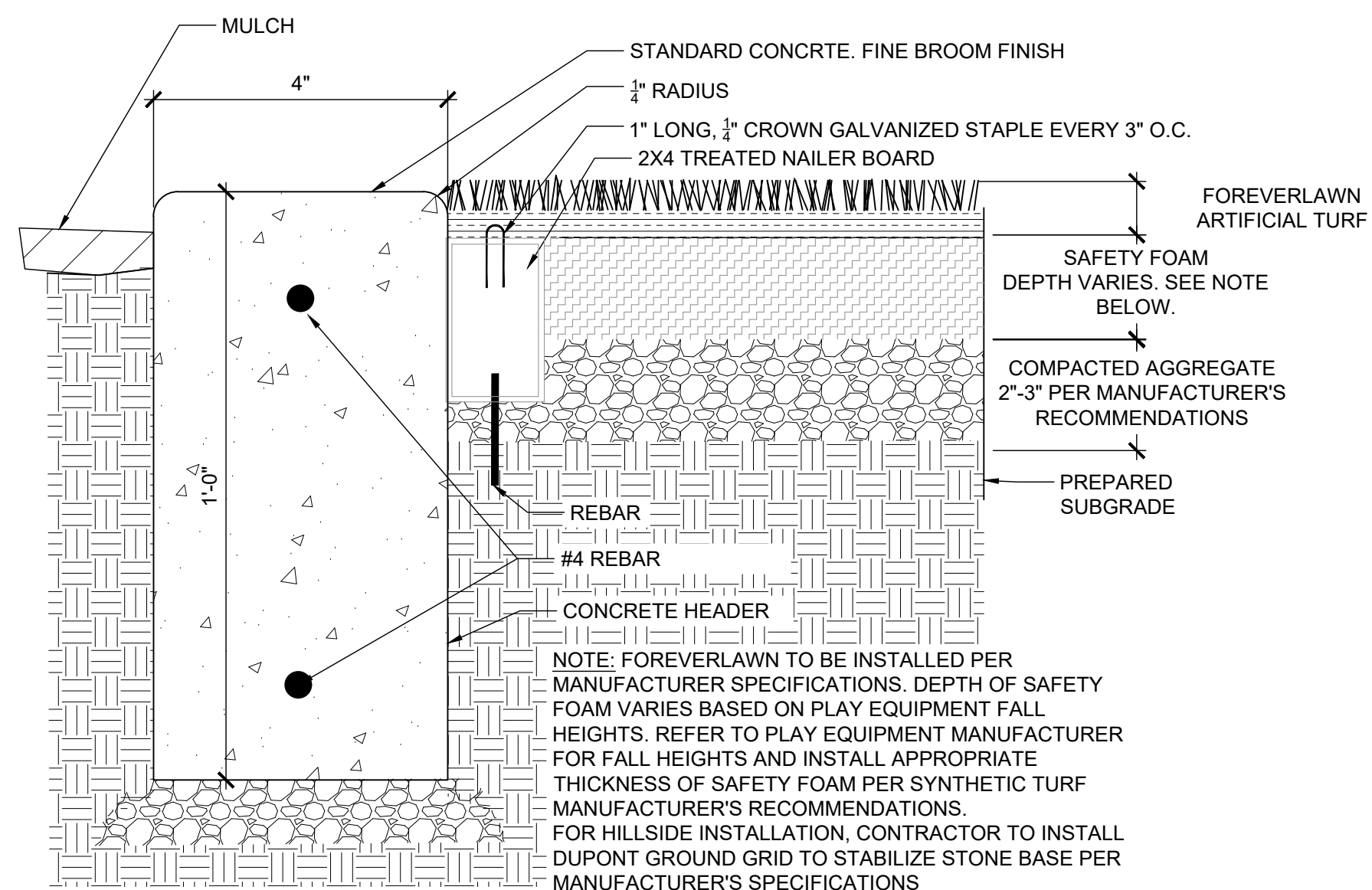
Drawn CS, SM, SR, ZS Reviewed KDR

Sheet Title

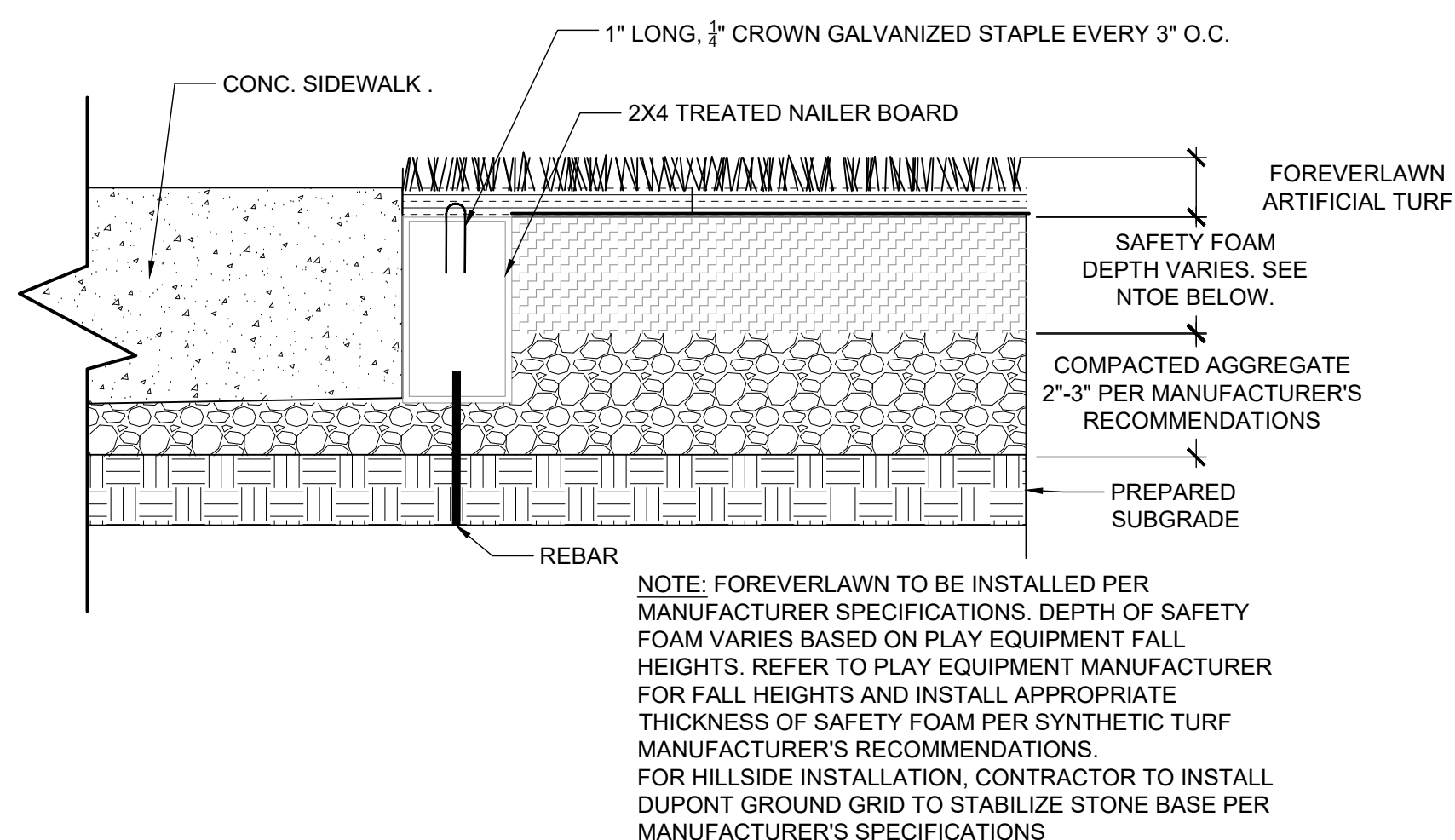
DETAILS

Number

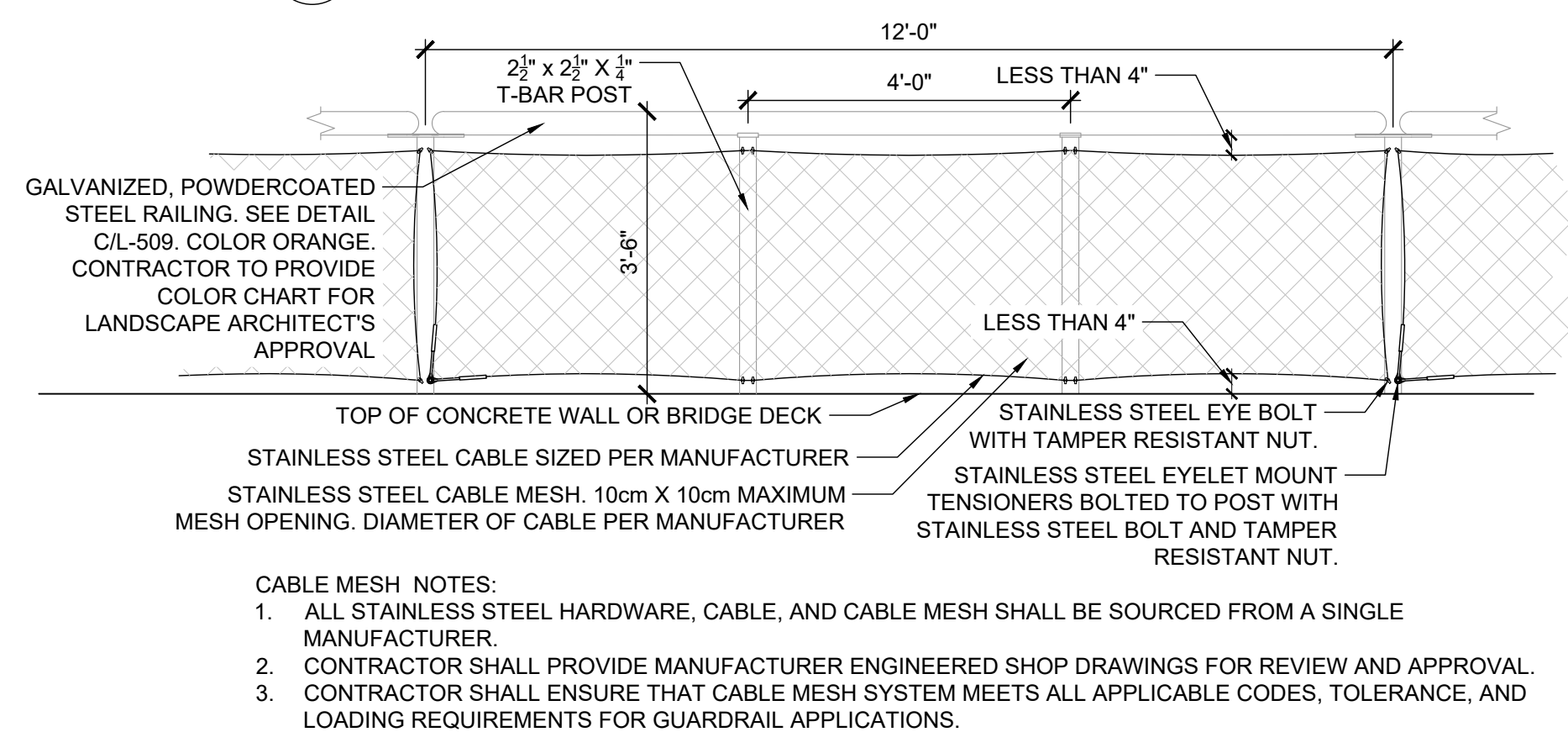
L-509



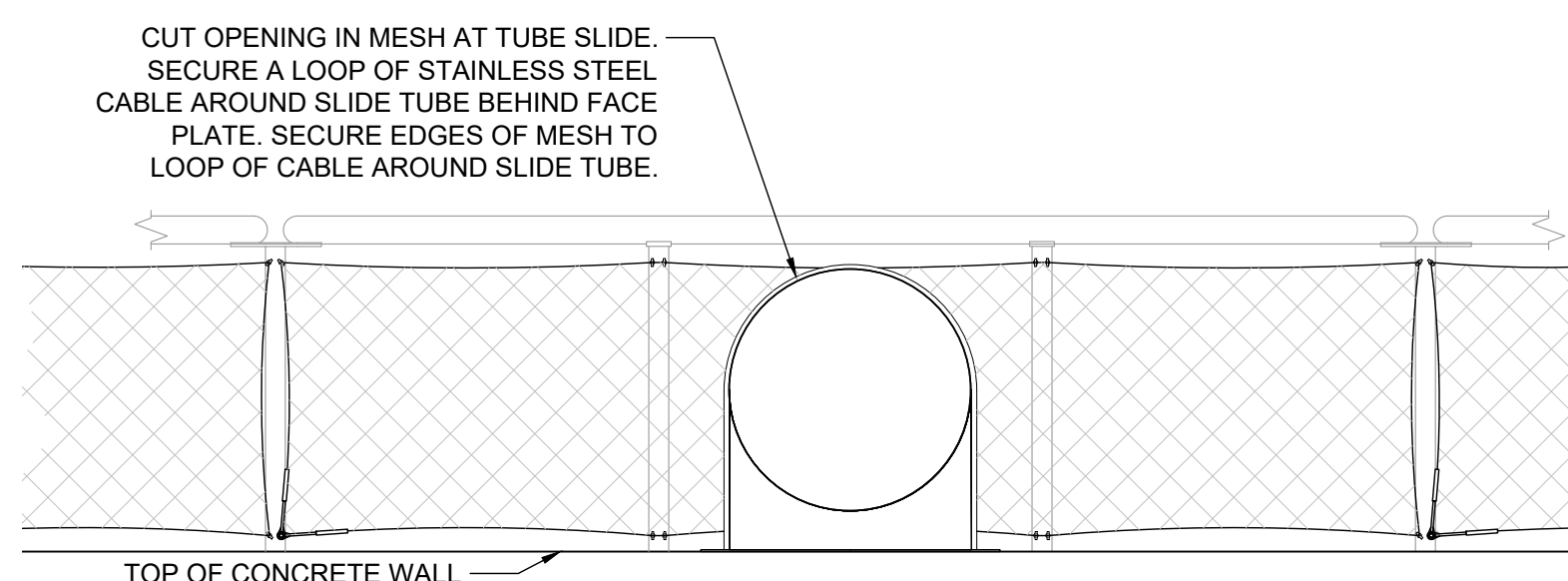
**G ARTIFICIAL TURF PROFILE AT CONCRETE HEADER**  
SCALE: NTS



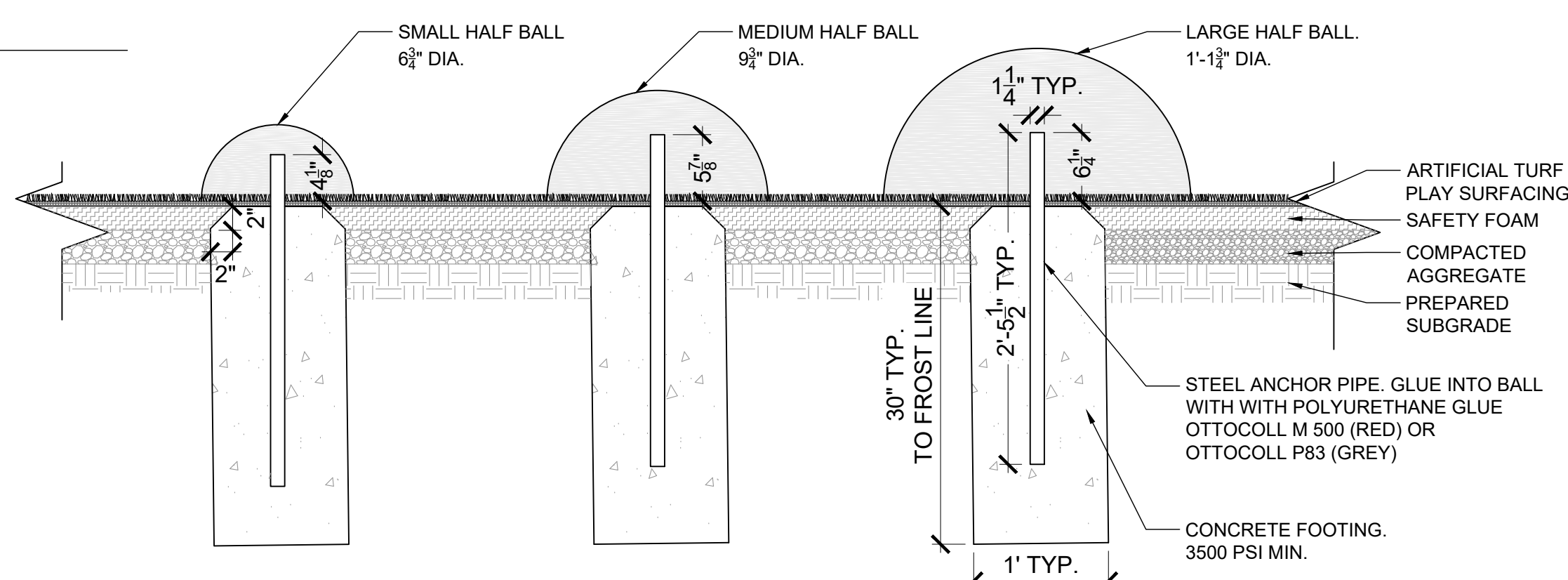
**F ARTIFICIAL TURF PROFILE AT CONCRETE WALK**  
SCALE: NTS



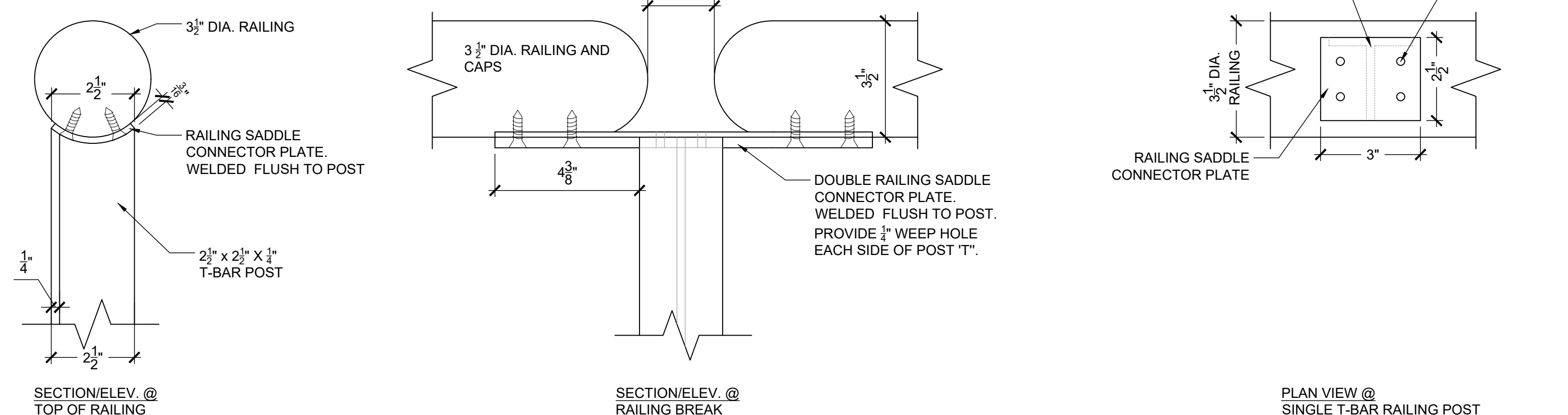
**E GUARDRAIL ELEVATION**  
SCALE: 1" = 1'-0"



**H PLAYGROUND SLIDE ELEVATION**  
SCALE: NTS

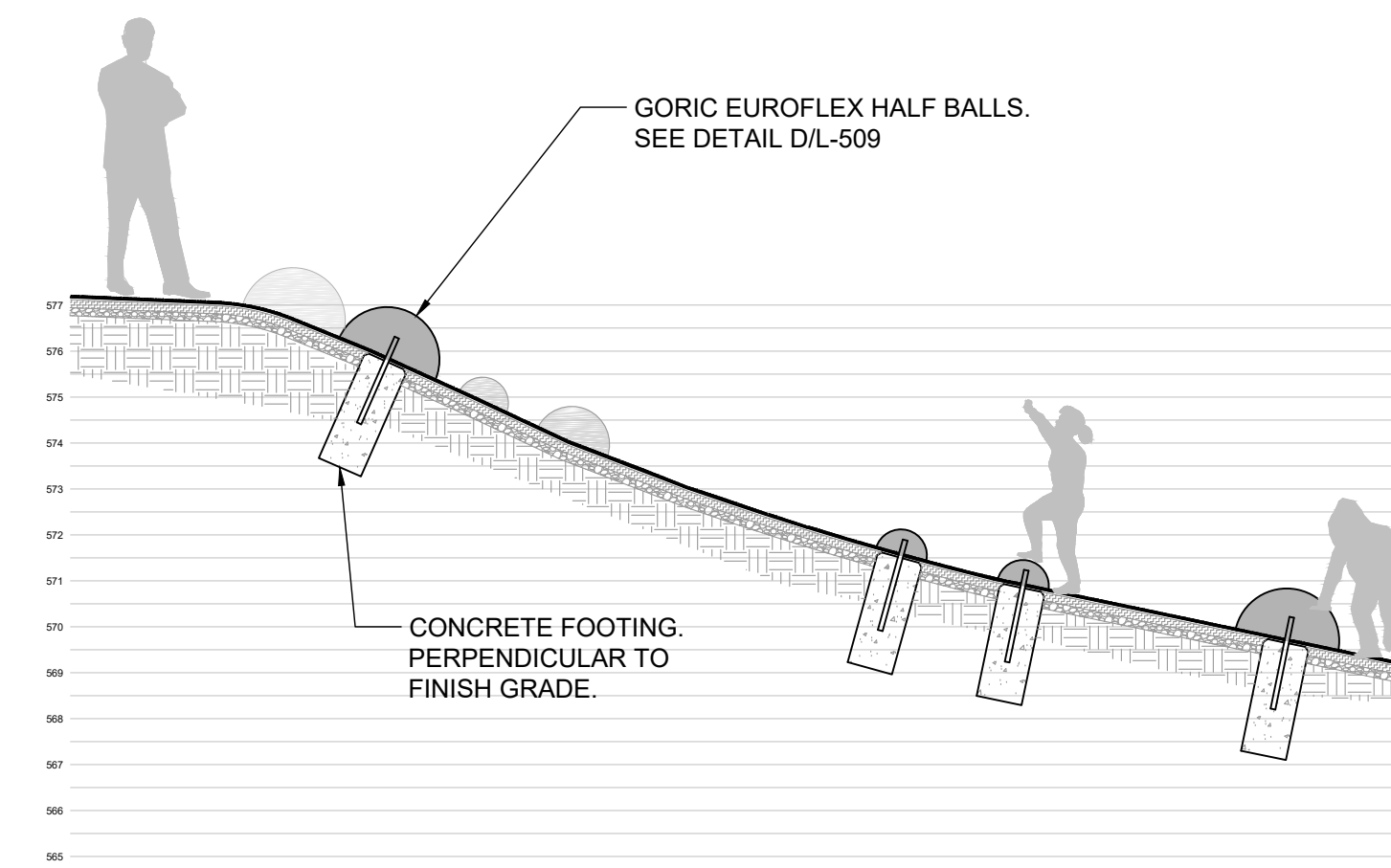


**D HALF BALL CLIMBING MOUNDS**  
SCALE: 1" = 1'-0"



**C GUARDRAIL DECORATIVE RAILING DETAILS**  
SCALE: 4" = 1'-0"

**B NOT USED**



**A PLAYGROUND SECTION THROUGH CLIMBING MOUNDS**  
SCALE: 1" = 4'-0"

Call Before you DIG  
TOLL FREE  
1-800-344-7483  
MISSOURI ONE-CALL SYSTEM INC.  
MODOT (314) 340-4100

NOTIFY LANDSCAPE ARCHITECT IMMEDIATELY IN EVENTS OF DISCREPANCIES, OMISSIONS, AND/OR CONFLICTS IN THE DRAWINGS OR SPECIFICATIONS. THE CONTRACTOR IS NOT AUTHORIZED TO SCALE THE DRAWINGS. ALL QUESTIONS IN REFERENCE TO CONTRACT DOCUMENTS SHALL BE IMMEDIATELY DIRECTED TO THE LANDSCAPE ARCHITECT.