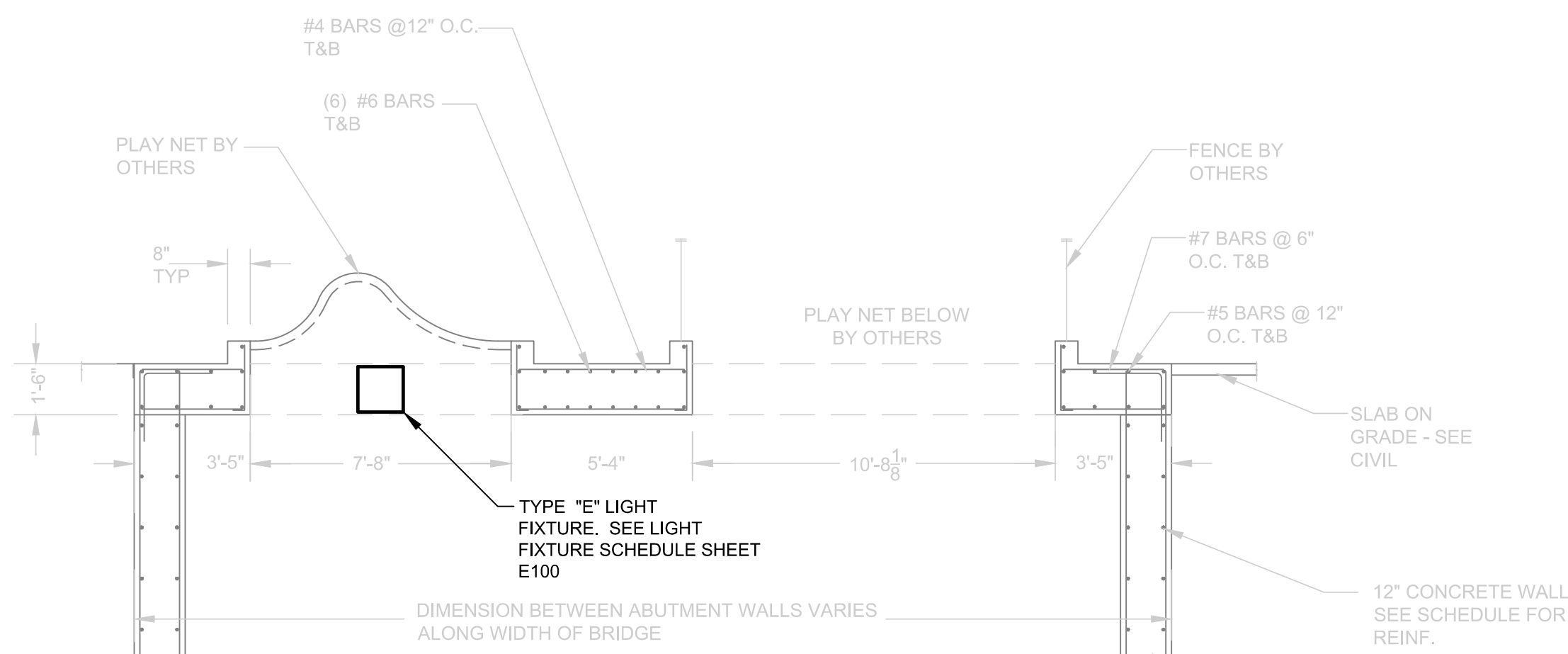


Issuances

No.	Description	Date
01	PRICING SET	04/18/17
02	PRELIM P&Z	04/28/17
03	P&Z RESUBMIT	05/17/17
04	100% DD SET	05/31/17
05	50% CD SET	07/14/17
06	90% CD SET	08/01/17
07	PERMIT SET	08/18/17
08	PERMIT SET	09/22/17
09	PERMIT SET REVISIONS	10/04/17

Revisions

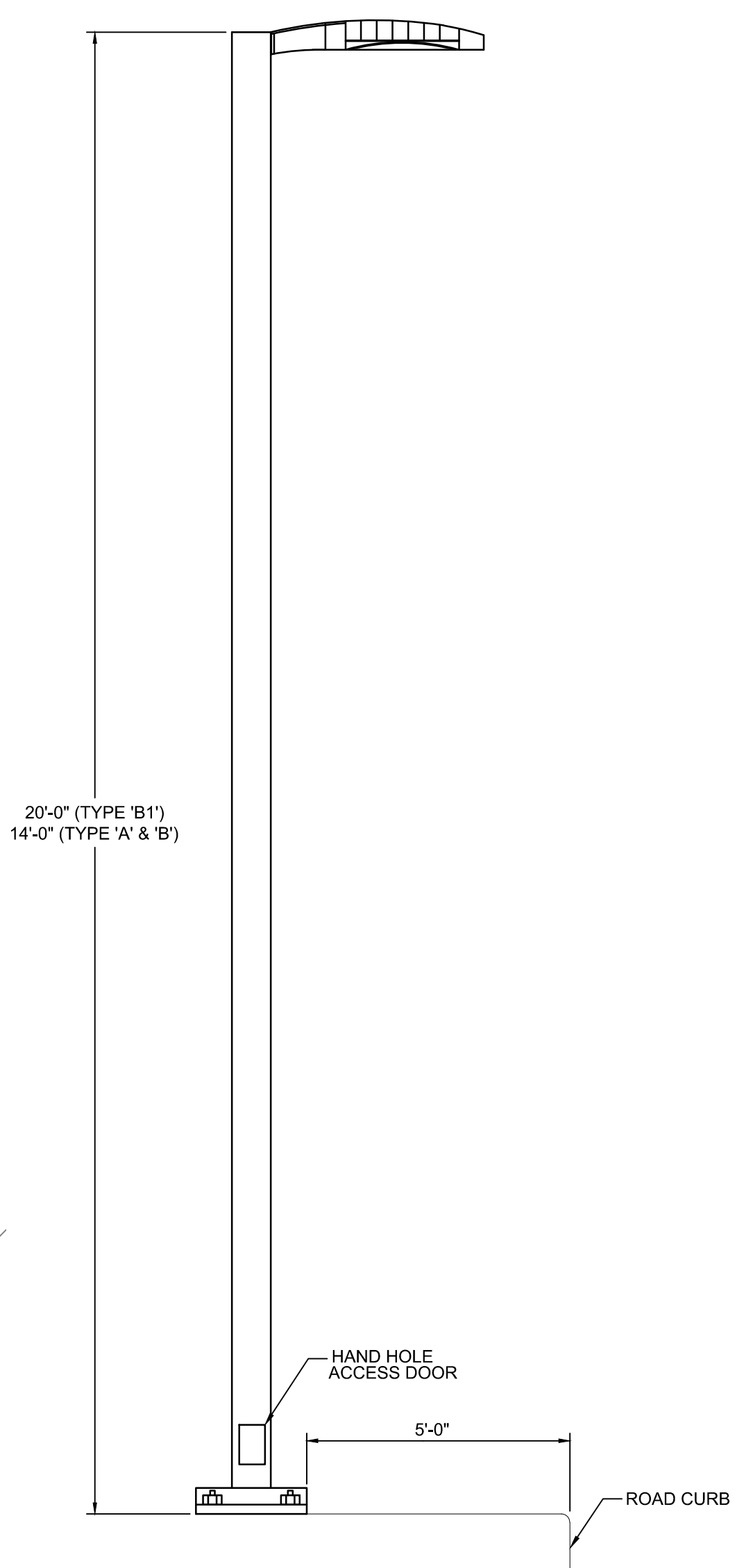
No.	Description	Date



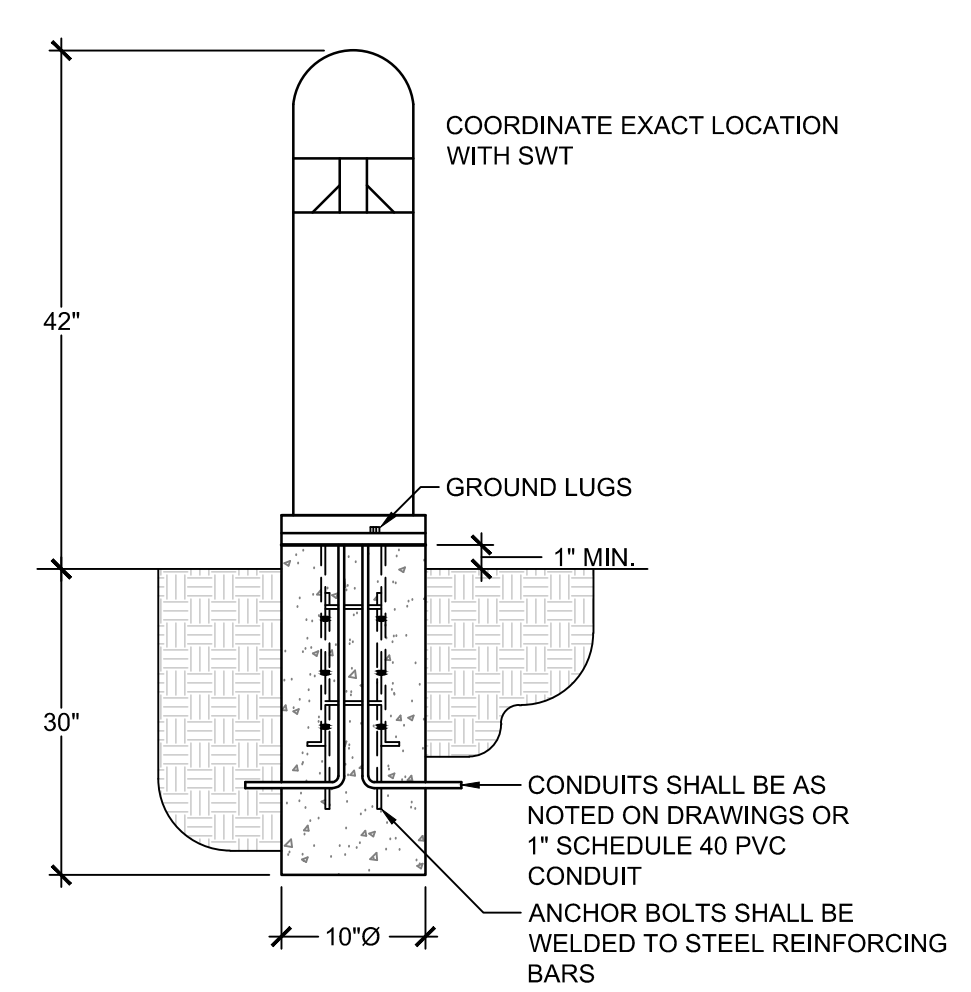
**LAND BRIDGE CLIMBER OPENING
LIGHT FIXTURE MOUNTING DETAIL**
SCALE: 1" = 2'-0"



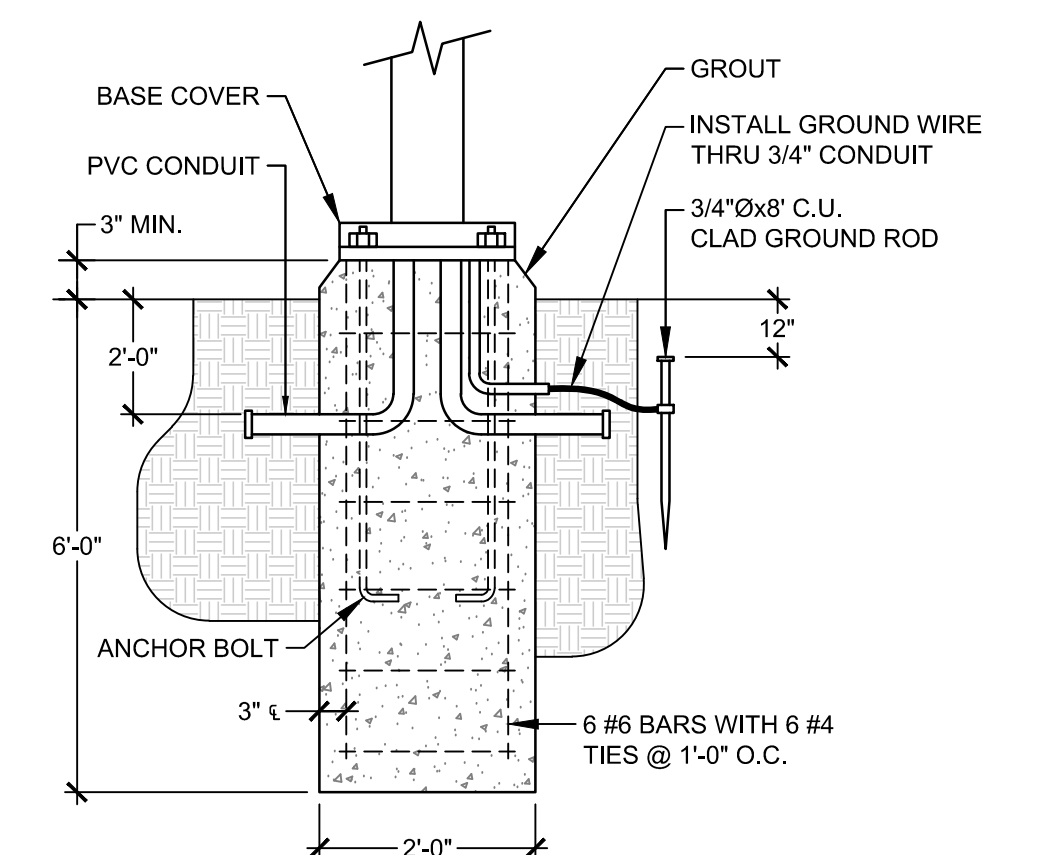
**LAND BRIDGE CLIMBER OPENING
LIGHT FIXTURE MOUNTING DETAIL**
SCALE: 1/4" = 1'-0"



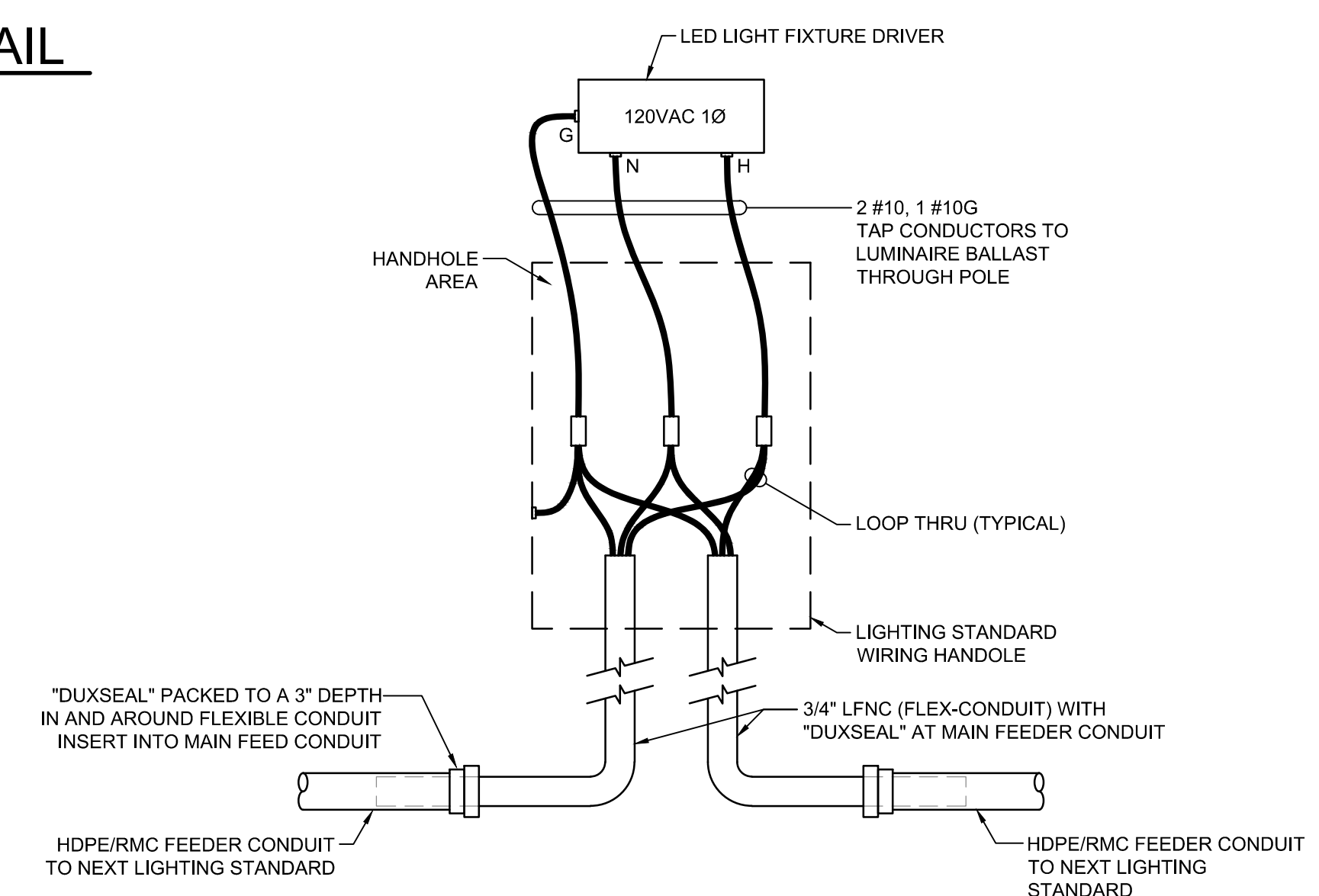
LIGHT FIXTURE POLE DETAIL
SCALE: N.T.S.



BOLLARD MOUNTING DETAIL
SCALE: N.T.S.



FIXTURE TYPE "A" MOUNTING DETAIL
SCALE: N.T.S.



PARKING LOT LIGHTING WIRING DETAIL
SCALE: N.T.S.