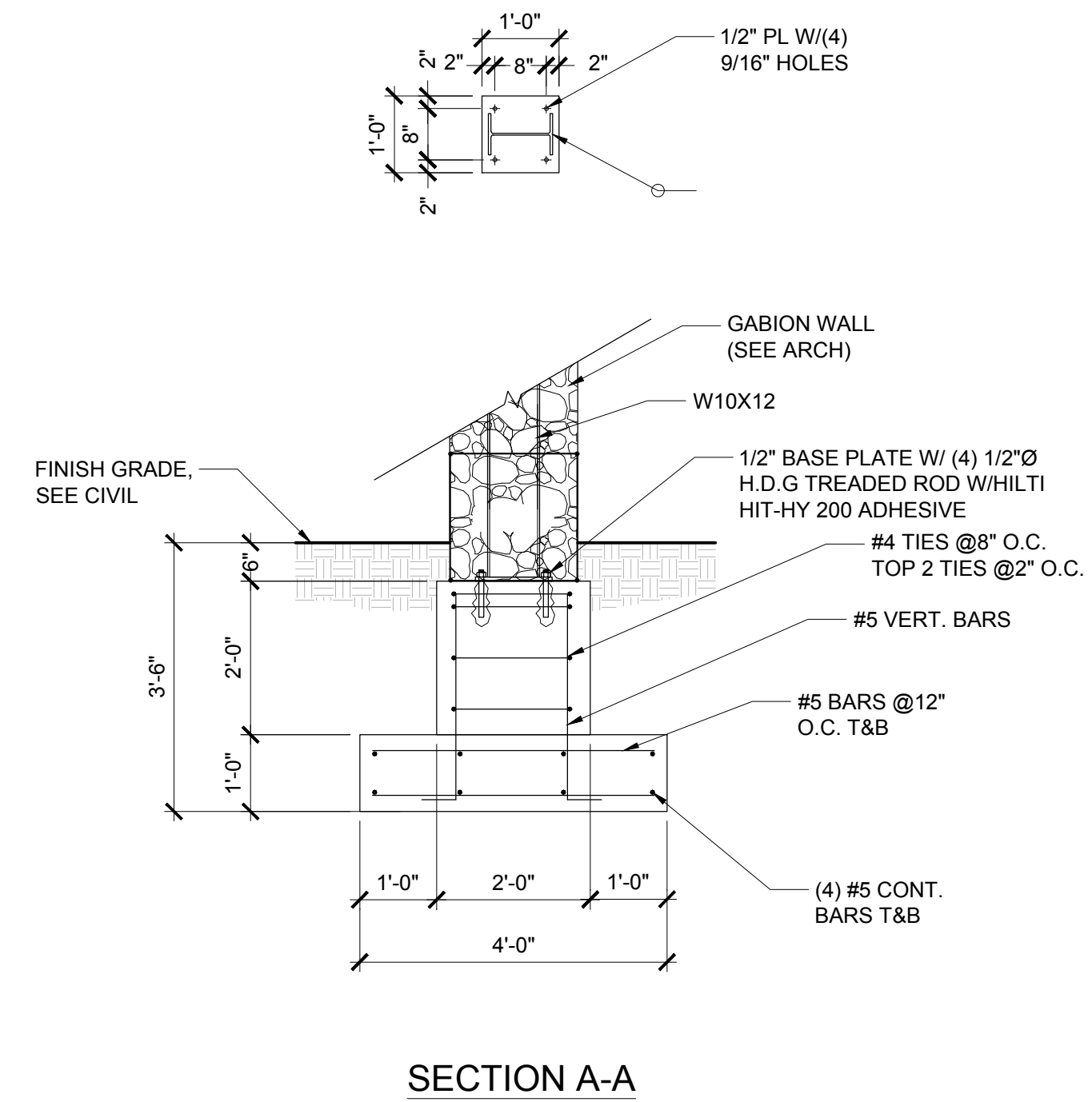


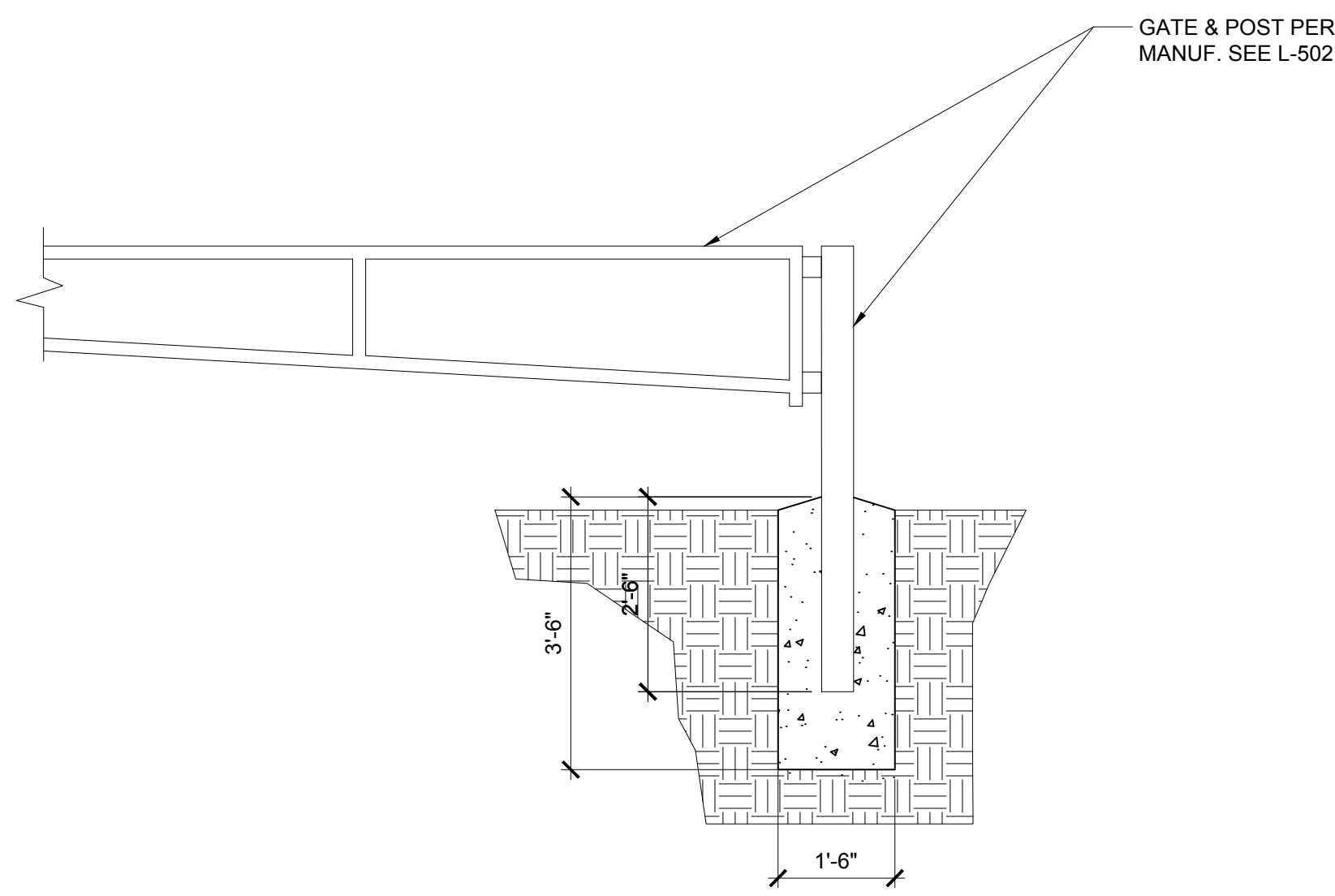
PLAN VIEW



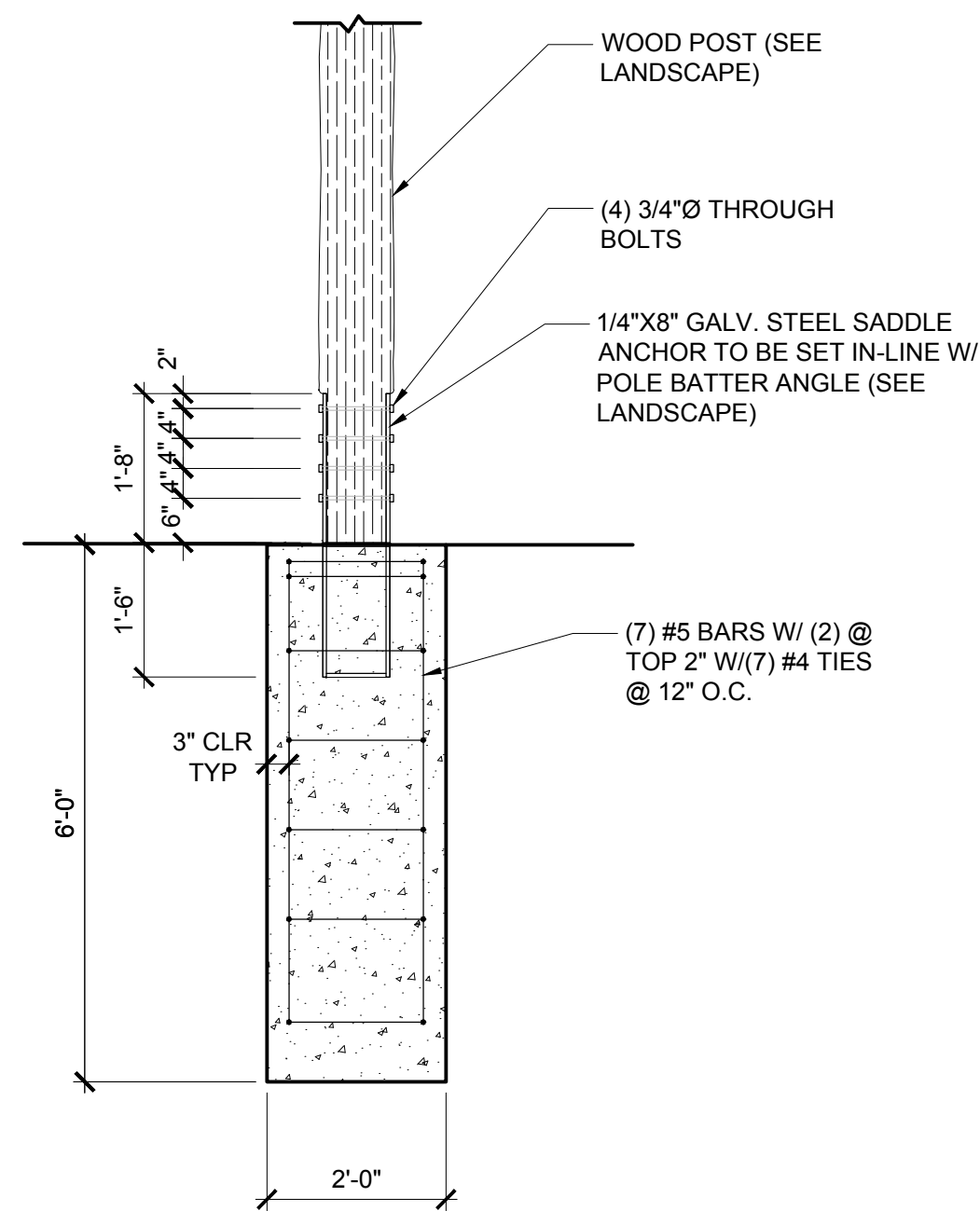
SECTION A-A

NOTE: DETAIL 1/S-1000 TO BE INCLUDED IN BID AS ALTERNATE #11

1 GABION SIGN PLAN/SECTION DETAIL
S-1000 SCALE: 1/2"=1'-0"



3 TYP. SWING GATE FOOTING
S-1000 SCALE: 1/2"=1'-0"



4 TYP. ROBINIA POST FOOTING
S-1000 SCALE: 1/2"=1'-0"

Prepared For:



CITY OF O'FALLON
100 North main Street
O'Fallon Missouri, 63366

Project:
O'DAY PARK & ACTIVITY CENTER

Landscape Architect:



7722 Big Bend Blvd.
St. Louis, mo 63119
t. 314.644.5700

Consultant Role: ARCHITECTURE,
MEPPF ENGINEERING
ROSS & BARUZZINI
6 SOUTH OLD ORCHARD
ST. LOUIS, MO 63119
314.918.8383

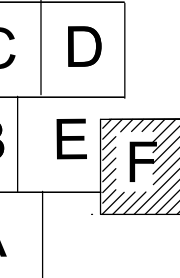
Consultant Role: CIVIL &
STRUCTURAL ENGINEERING
HORNER & SHIFRIN
401 SOUTH 18TH #400
ST. LOUIS, MO 63103
314.531.4321

THE PROFESSIONALS WHOSE SIGNATURES AND SEALS APPEAR ON THIS SHEET ONLY ASSUME RESPONSIBILITY FOR WHAT APPEARS ON THIS SHEET ONLY. ALL OTHER PLANS, SPECIFICATIONS, REPORTS, AND OTHER DOCUMENTS, DESIGN OR REVISIONS BY CONTRACTORS, OWNER OR OTHERS ARE NOT PART OF THE PROJECT FOR WHICH THIS SEAL INDICATES RESPONSIBILITY.



10/04/2017
Horner & Shifrin, Inc.
Missouri State Certificate of Authority #000159

KEY PLAN



Issuances

No.	Description	Date
01	PRICING SET	04/18/17
02	PRELIM P&Z	04/28/17
03	P&Z RESUBMIT	05/17/17
04	100% DD SET	05/31/17
05	50% CD SET	07/14/17
06	90% CD SET	08/01/17
07	PERMIT SET	08/18/17
08	PERMIT SET	09/22/17
09	PERMIT SET REVISIONS	10/04/17

Revisions

No.	Description	Date

SWT No. 20150.04

Drawn: RMR Reviewed: CMS

Sheet Title: PLAYGROUND DETAILS

Number

S-1000