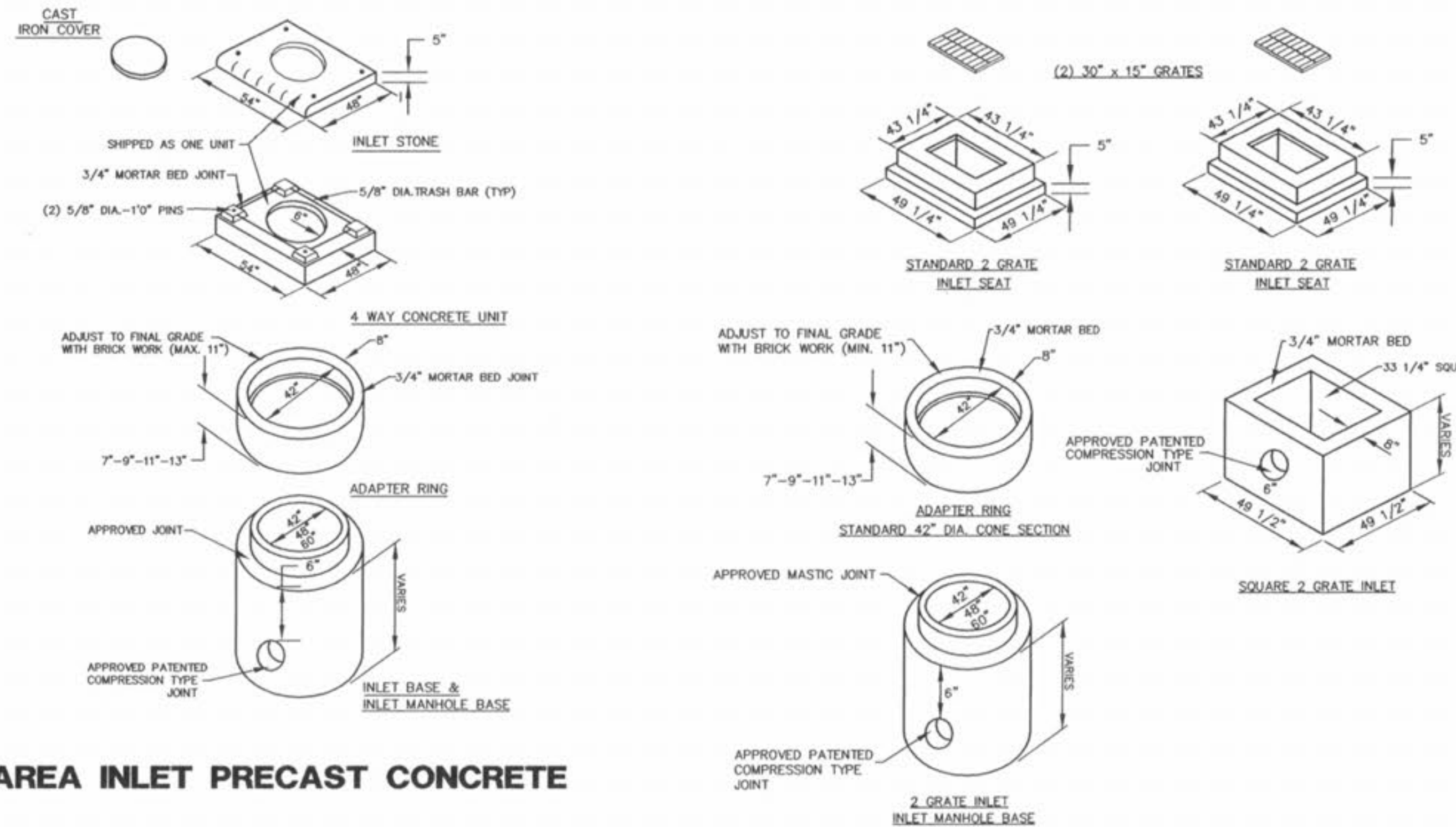
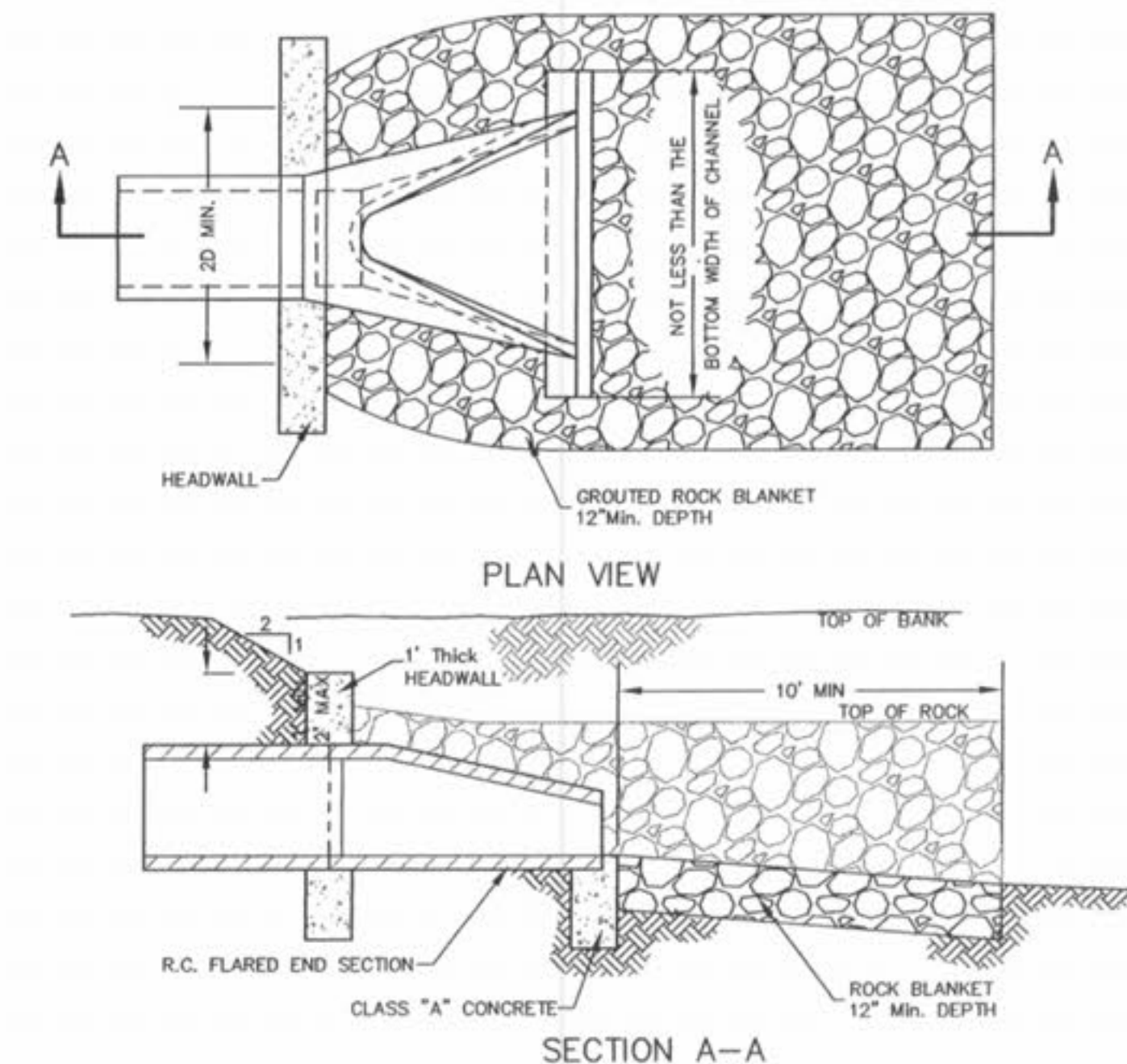


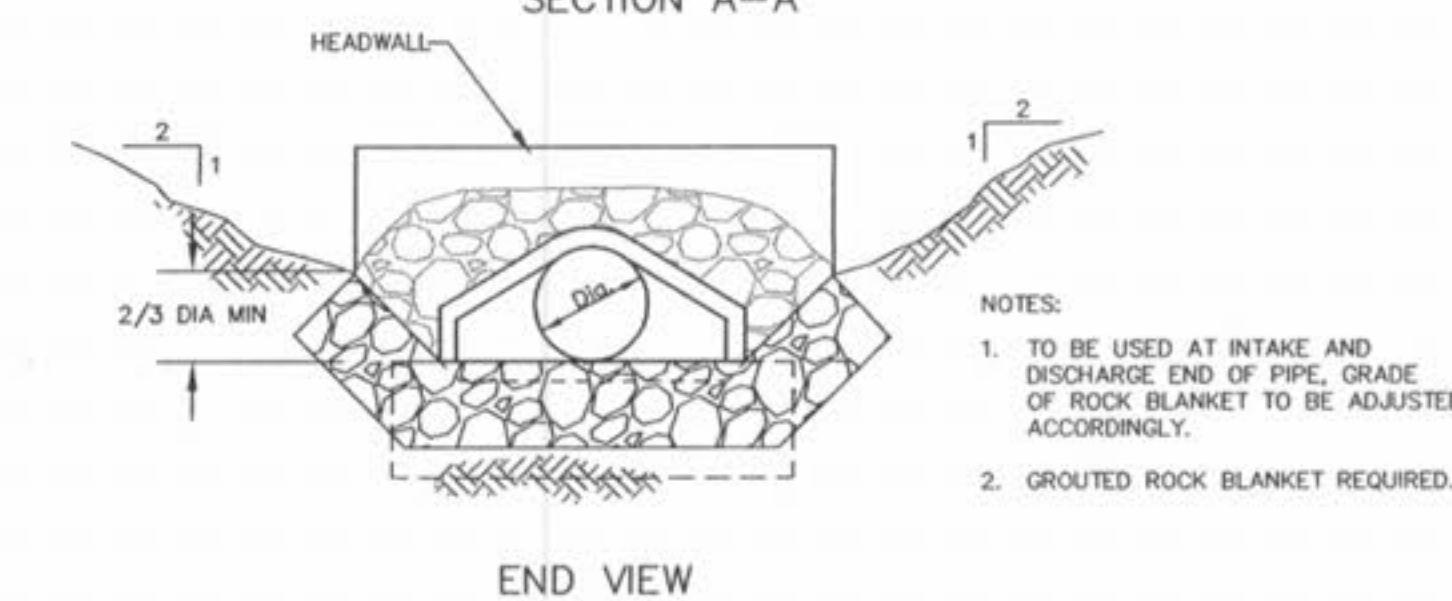
PRECAST CONCRETE MANHOLE



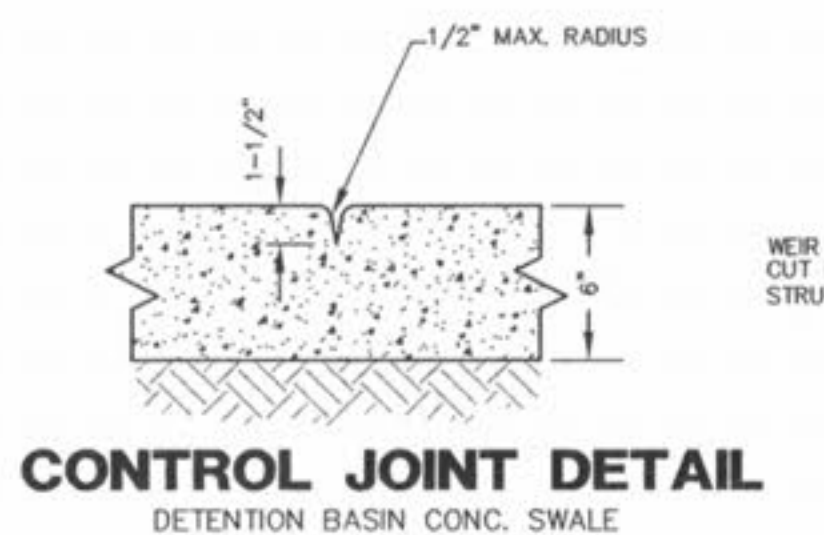
AREA INLET PRECAST CONCRETE



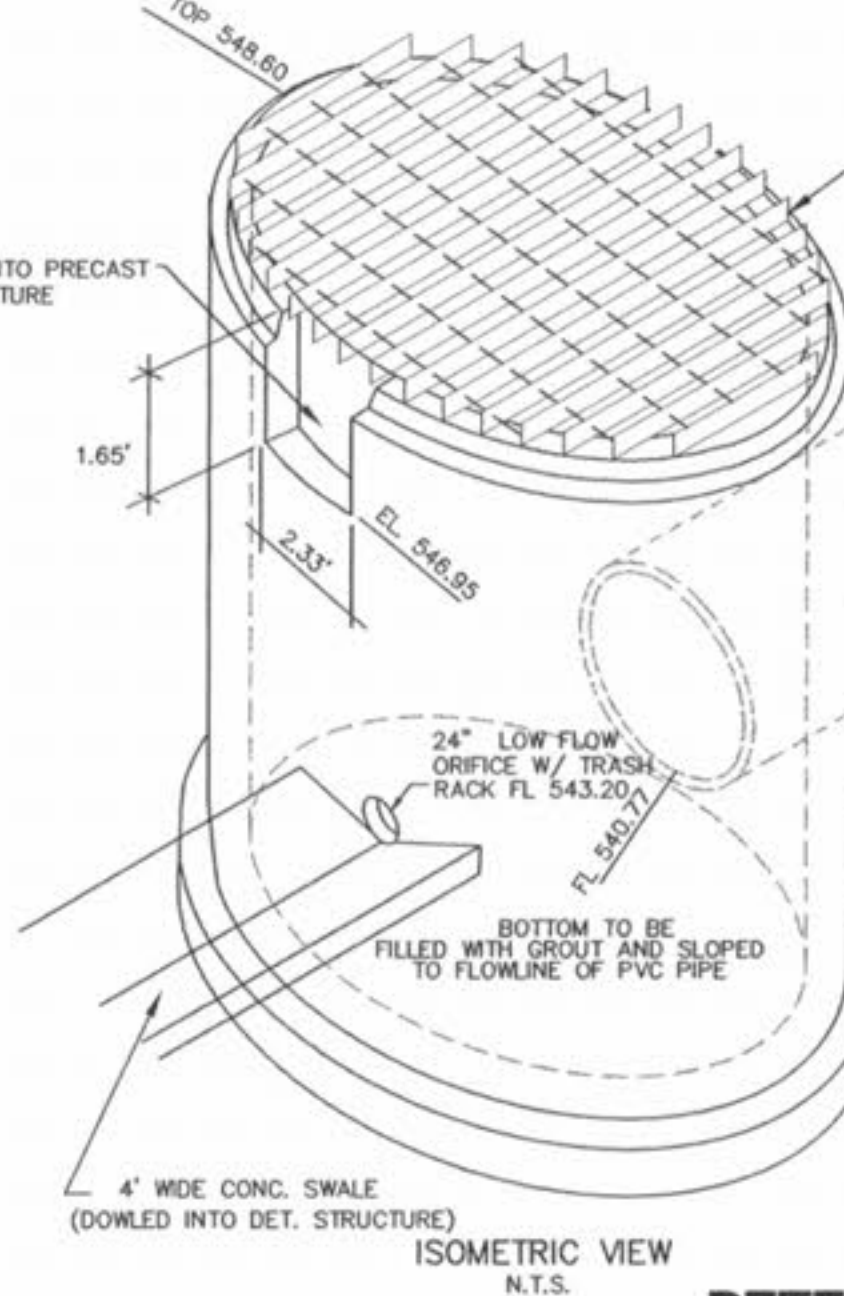
2 GRATE INLETS PRE-CAST CONCRETE



FLARED END SECTION

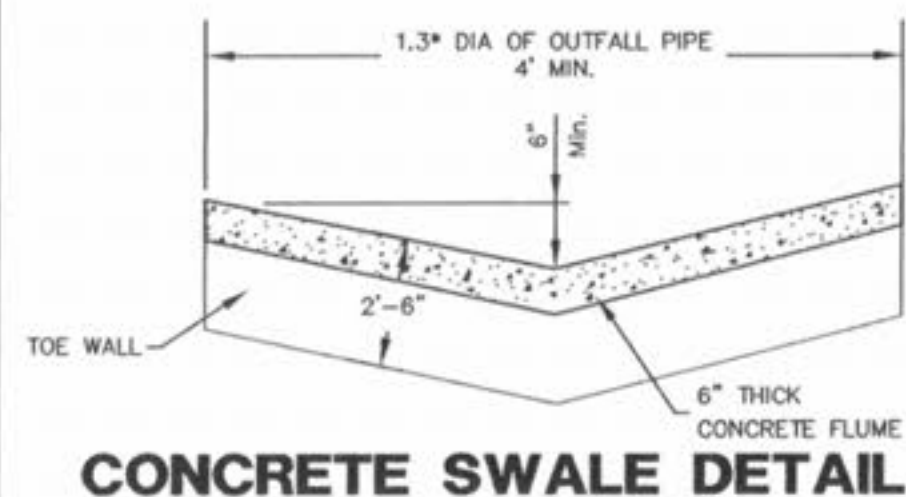


- NOTES:
1. CONCRETE SHALL BE 3000 p.s.i. STRENGTH AT 28 DAYS.
 2. TOE WALL SHALL BE CONSTRUCTED AT BOTH UPSTREAM AND DOWNSTREAM ENDS.
 3. 1/2" PREFORMED FIBER JOINT WITH JOINT SEALER TO BE CONSTRUCTED AS TRANSVERSE JOINT AT 50' INTERVALS.
 4. MINIMUM CHANNEL SLOPE TO BE 0.2%.
 5. DISTURBED AREAS TO BE SEEDED AND MULCHED UPON COMPLETION OF CONSTRUCTION AND EROSION CONTROL DEVICES INSTALLED PER DIRECTION OF OWNER OR ENGINEER.
 6. CONCRETE SWALE TO BE DOWLED INTO THE DETENTION STRUCTURE USING #4 DOWELS.
 7. CONTROL JOINTS SHALL BE HAND-TOOLED OR SAWCUT AT A MAXIMUM OF 15' o.c. AND AT ANY/ALL P.C.'S AND P.T.'S.

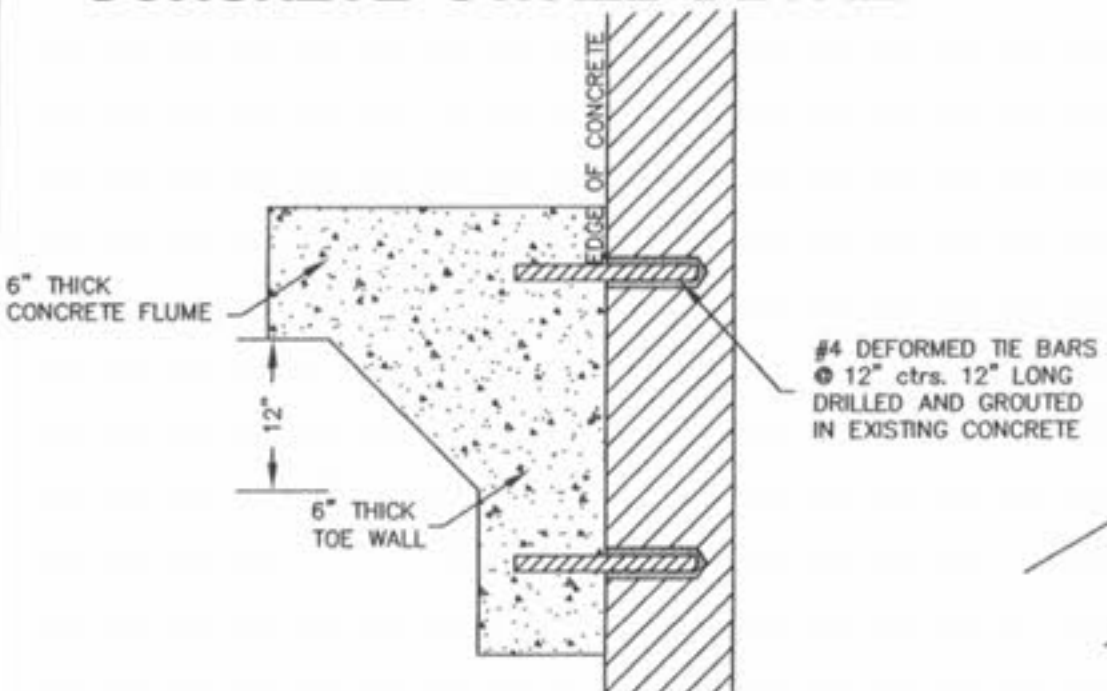


DETENTION STRUCTURE DETAIL

DETENTION BASIN #1

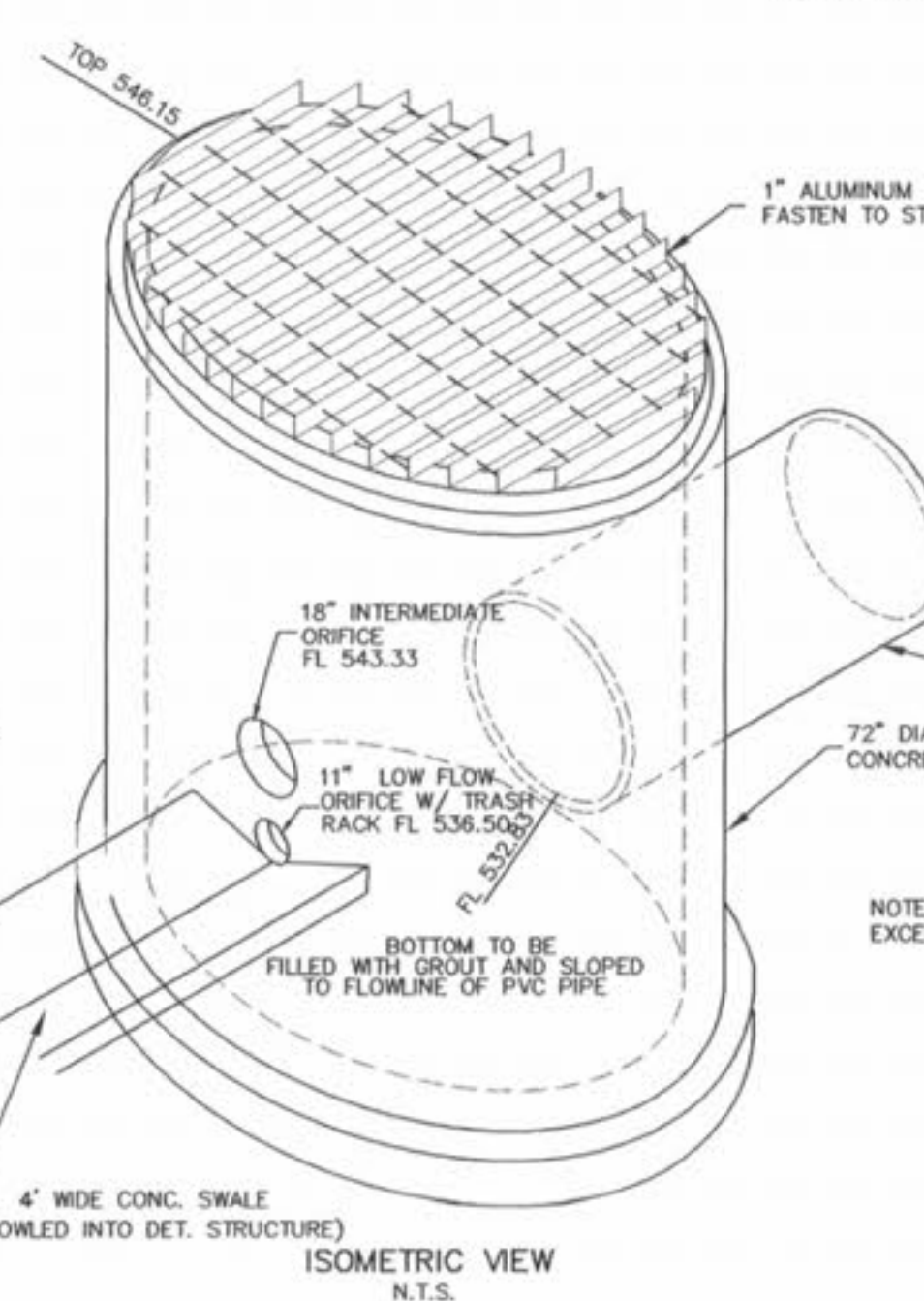


CONCRETE SWALE DETAIL



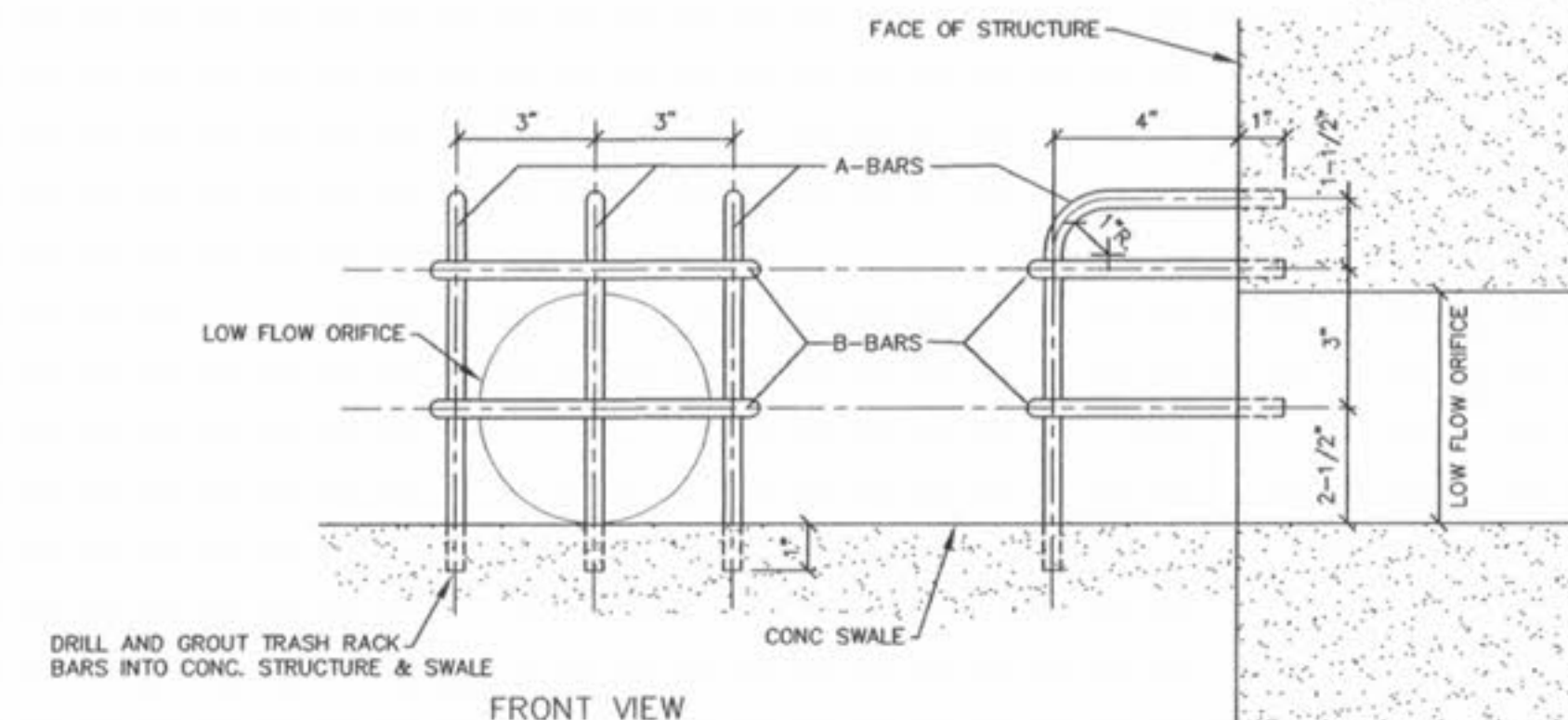
DOWELLED FLUME CONNECTION

PREPARED FOR:
BRINKMANN CONSTRUCTORS
CONTACT: KEVIN JACOBSMEYER
16650 CHESTERFIELD GROVE RD, SUITE 100
CHESTERFIELD, MO 63005
PH: (636) 537-9700
FAX: (636) 537-9880

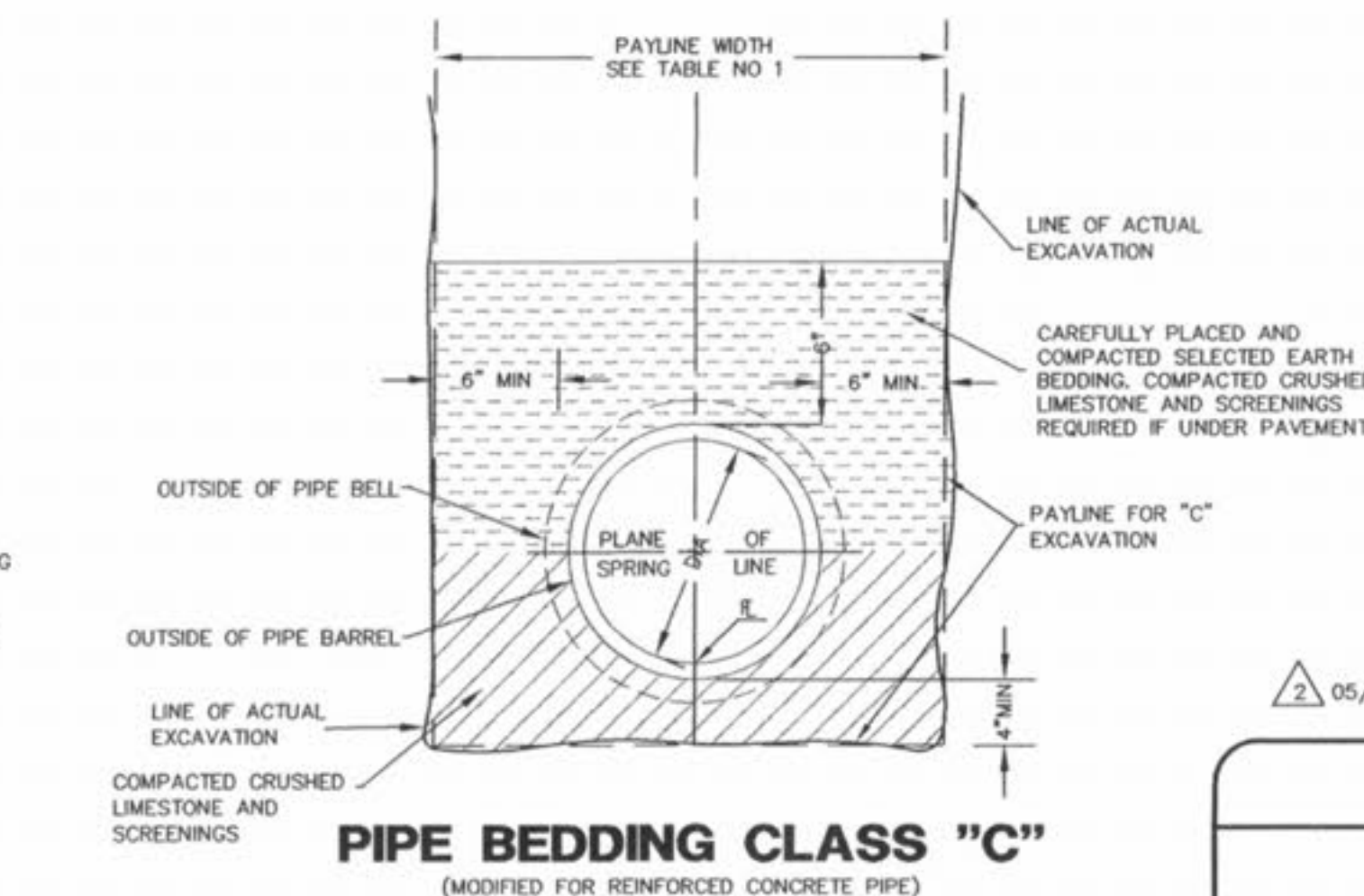


DETENTION STRUCTURE DETAIL

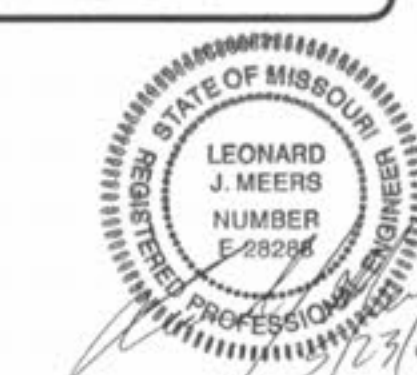
DETENTION BASIN #2



TRASH RACK DETAIL



NOTE: A 5/8" TRASH BAR SHALL BE REQUIRED IN THE THROAT OF ALL INLETS.



05/23/05 PER CITY, WATER & SANITARY COMMENTS

O'FALLON AUTO MALL
STORM SEWER DETAILS

J. R. GRIMES
CONSULTING ENGINEERS, INC.

12300 OLD TESSON ROAD
SUITE 3000
ST. LOUIS, MO. 63128
PH. (314) 849-6100
FAX (314) 849-6010

DRAWN BY:	DATE:	CHECKED BY:	DATE:	JOB NUMBER:	SHEET:
JLW	04/08/05	LJM	04/08/05	675N	C18

P&Z FILE # 3101.05.03