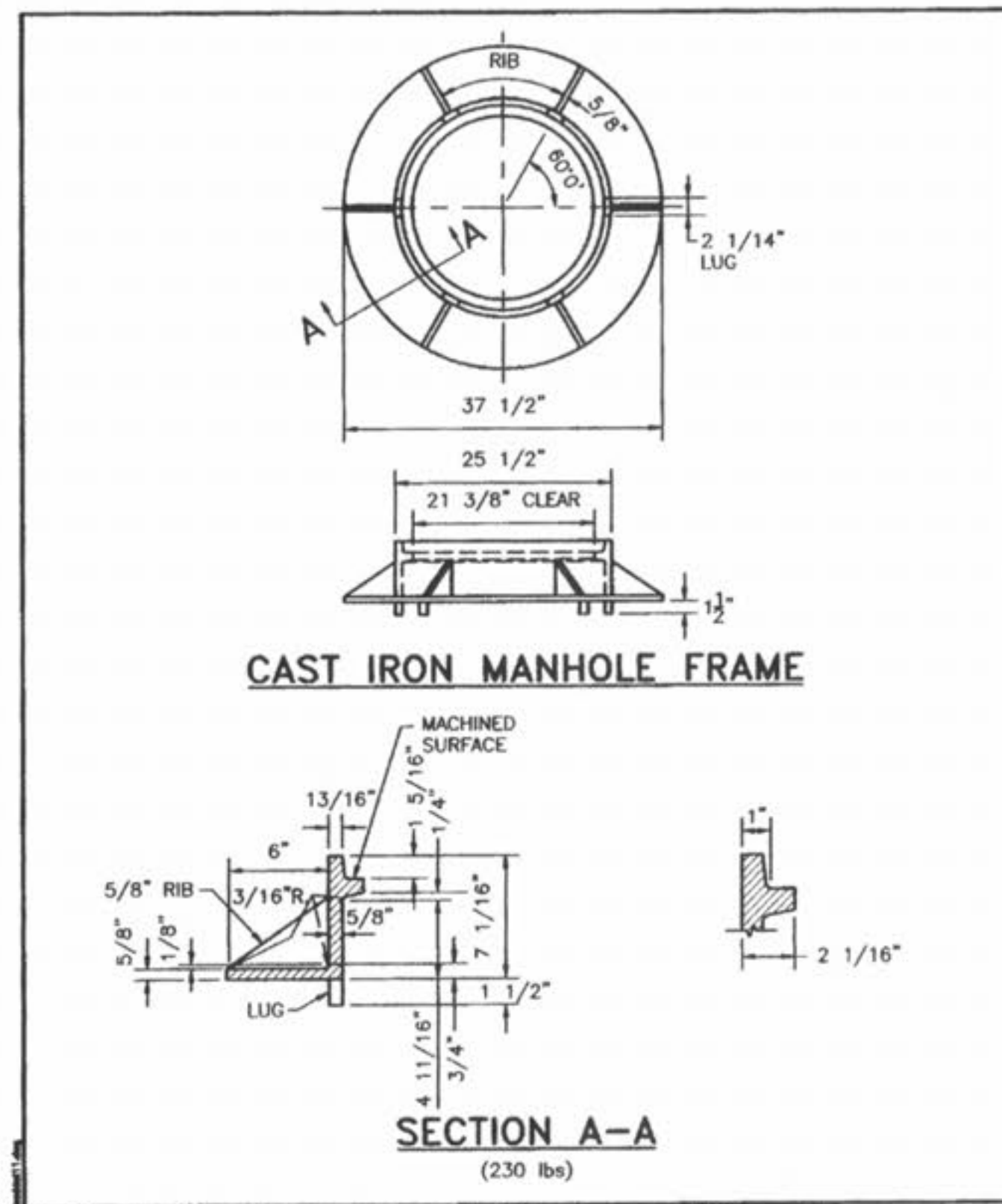
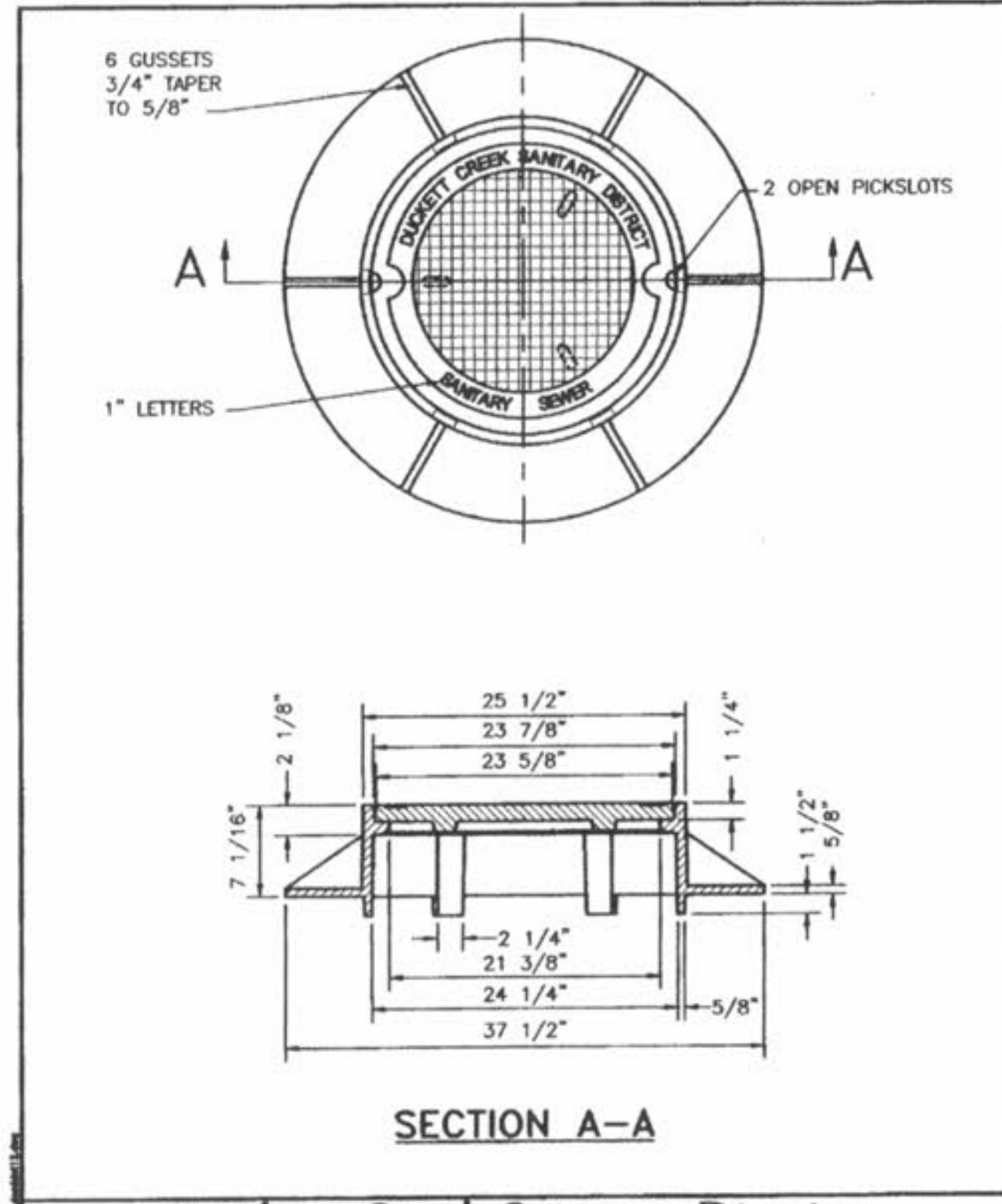


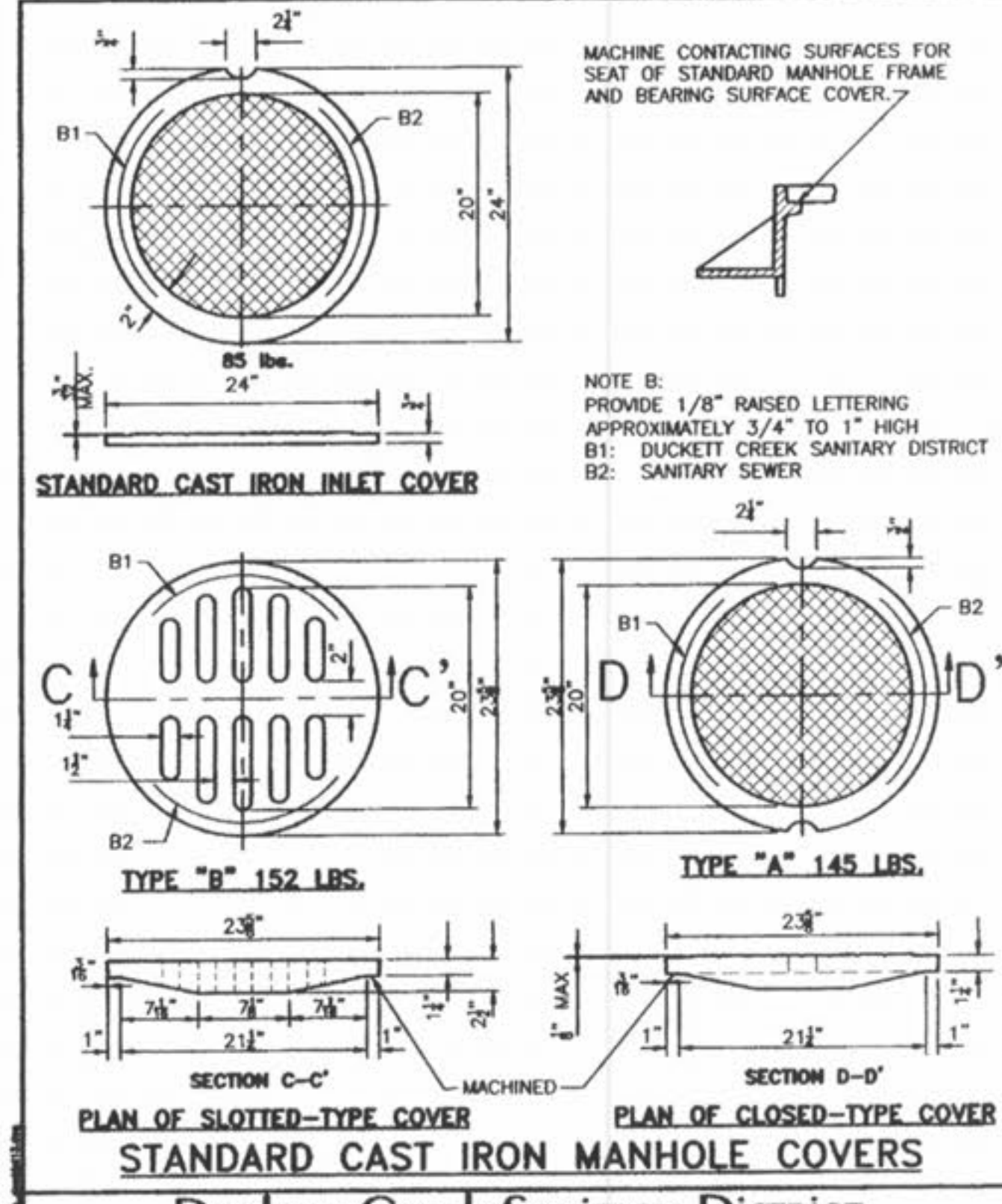
Duckett Creek Sanitary District
 INSIDE DROP MANHOLE
 Drawn By: BSM App By: KLA Detail No. 10
 Check By: MDOB Date: 01-10-00



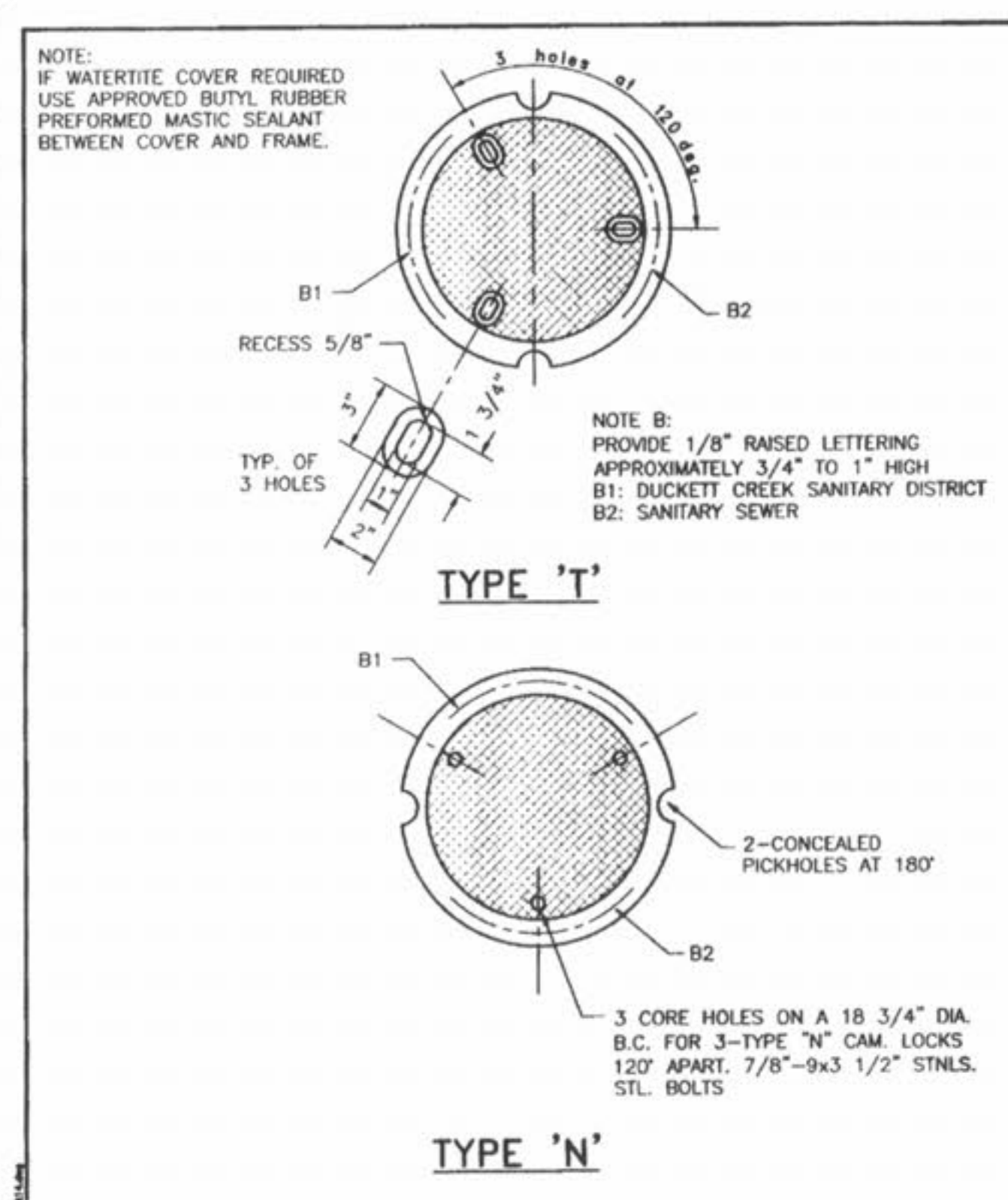
Duckett Creek Sanitary District
 CAST IRON MANHOLE FRAME
 Drawn By: BSM App By: KLA Detail No. 11
 Check By: MDOB Date: 01-14-00



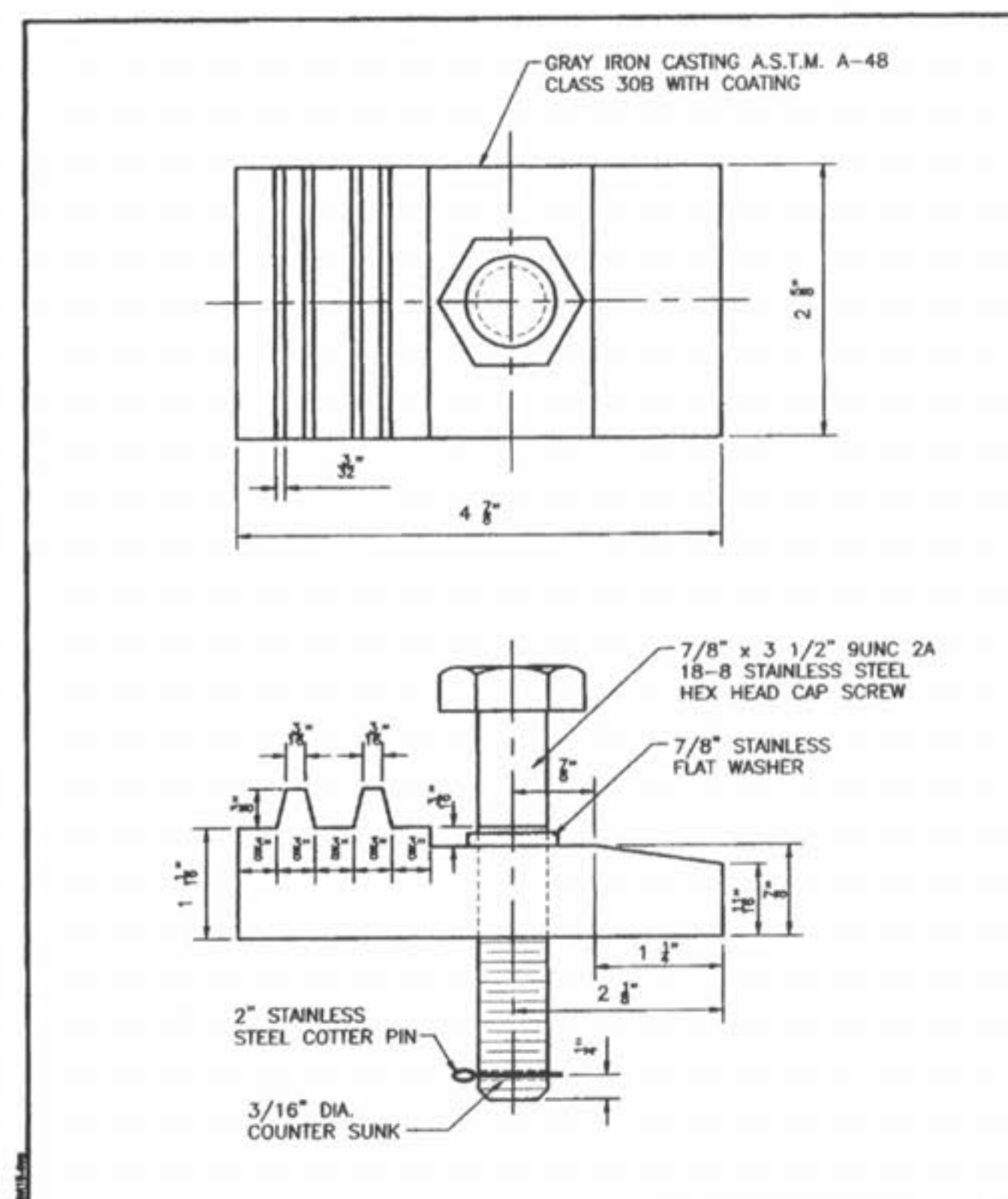
Duckett Creek Sanitary District
 MANHOLE FRAME AND COVER
 Drawn By: BSM App By: KLA Detail No. 12
 Check By: MDOB Date: 01-14-00



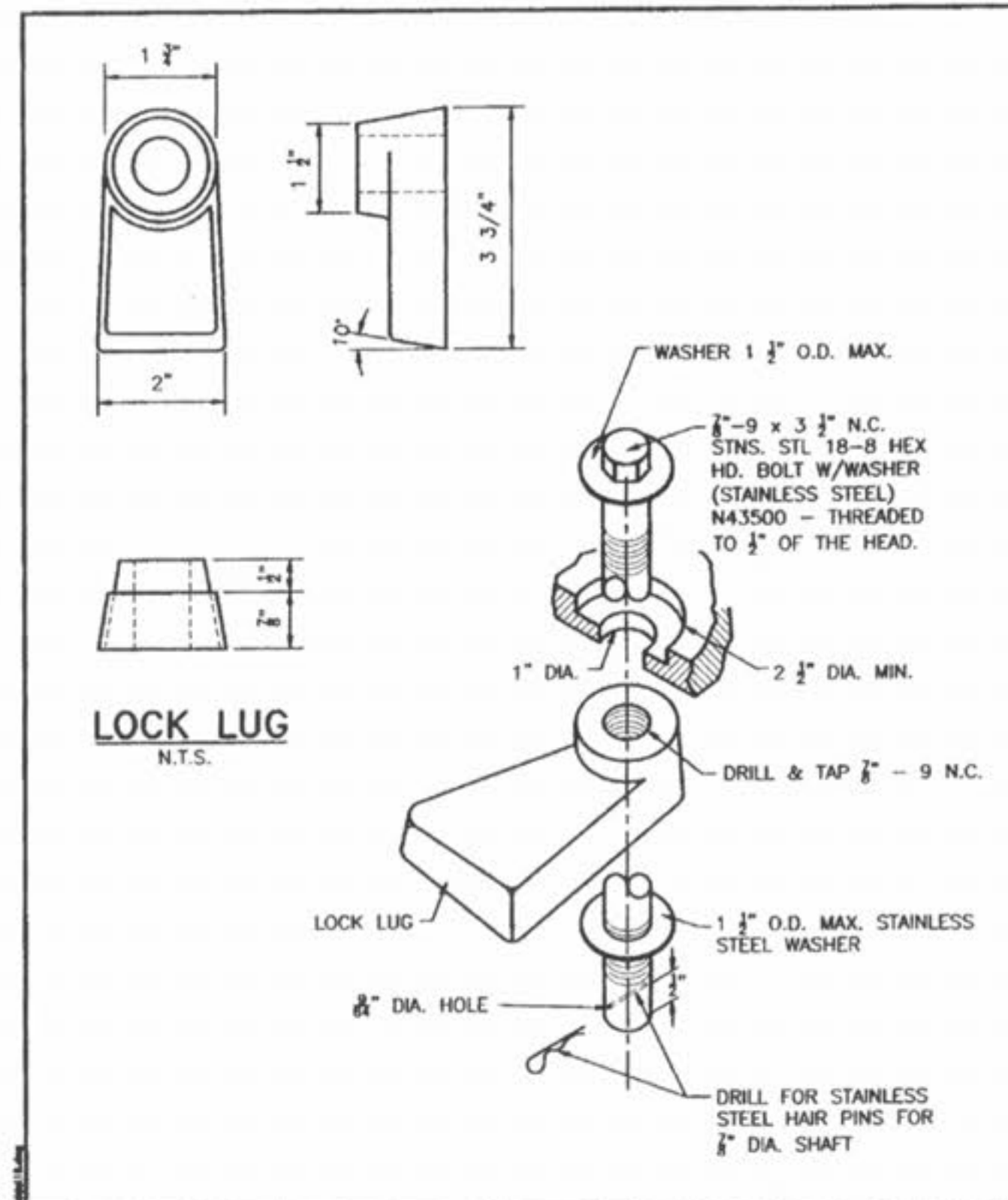
Duckett Creek Sanitary District
 CAST IRON COVERS MANHOLES AND INLETS
 Drawn By: BSM App By: KLA Detail No. 13
 Check By: MDOB Date: 12-22-00



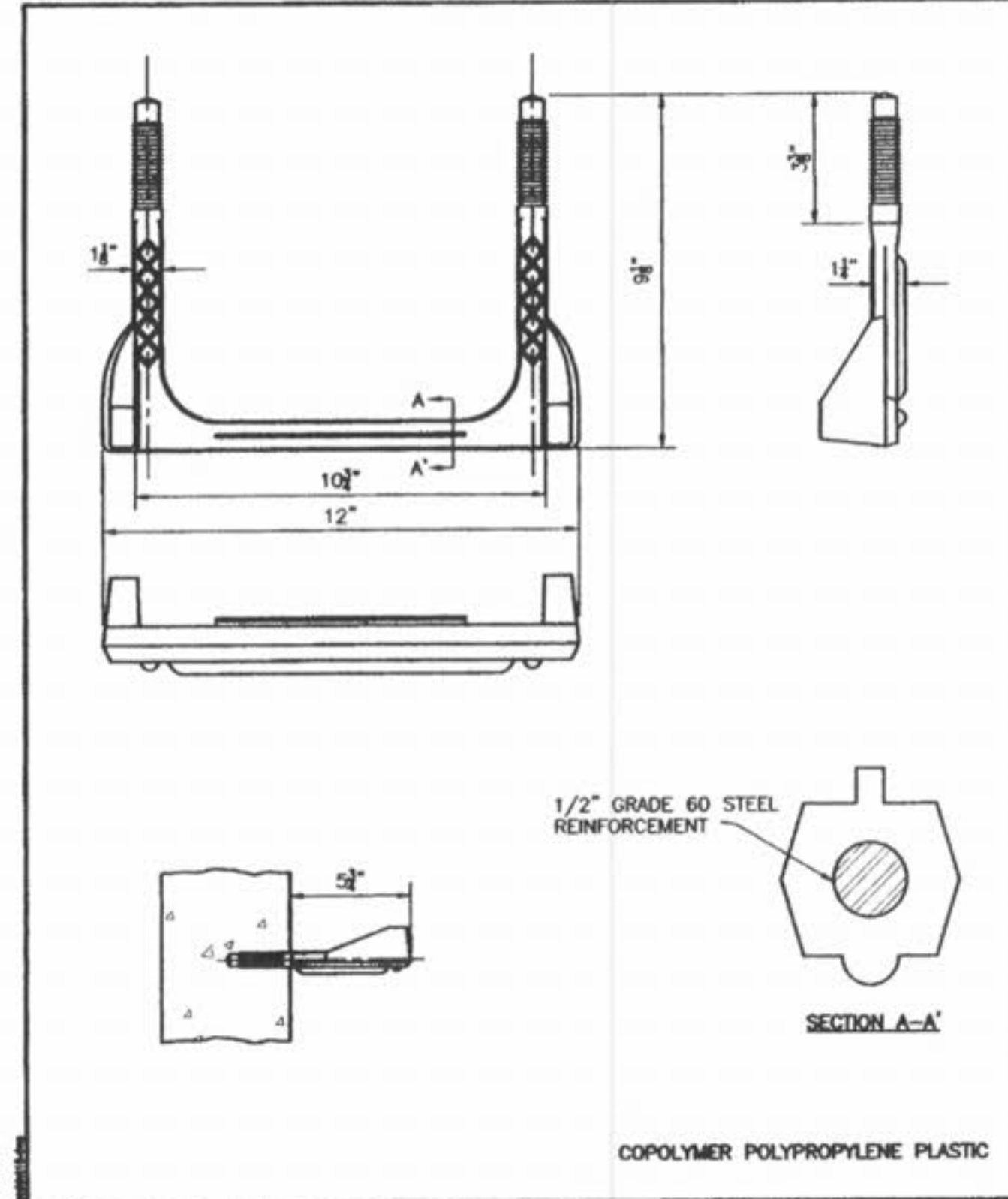
Duckett Creek Sanitary District
 CAST IRON MANHOLE COVERS (LOCK TYPE)
 Drawn By: BSM App By: KLA Detail No. 14
 Check By: MDOB Date: 12-27-00



Duckett Creek Sanitary District
 LOCKING DEVICE FOR TYPE "T" LOCK TYPE MANHOLE COVER
 Drawn By: BSM App By: KLA Detail No. 15
 Check By: MDOB Date: 12-27-00



Duckett Creek Sanitary District
 LOCKING DEVICE FOR TYPE "N" LOCK TYPE MANHOLE COVER
 Drawn By: BSM App By: KLA Detail No. 16
 Check By: MDOB Date: 12-28-00



Duckett Creek Sanitary District
 MANHOLE STEP PRECAST MANHOLE
 Drawn By: BSM App By: KLA Detail No. 18
 Check By: MDOB Date: 1-3-01

PREPARED FOR:
BRINKMANN CONSTRUCTORS
 CONTACT: KEVIN JACOBSMEYER
 16650 CHESTERFIELD GROVE RD, SUITE 100
 CHESTERFIELD, MO 63005
 PH: (636) 537-9700
 FAX: (636) 537-9880



O'FALLON AUTO MALL
 SANITARY SEWER DETAILS

J. R. GRIMES
CONSULTING ENGINEERS, INC.

12300 OLD TESSON ROAD
 SUITE 3000
 ST. LOUIS, MO. 63128
 PH. (314) 849-6100
 FAX (314) 849-6010

DRAWN BY: JLW DATE: 04/08/05 CHECKED BY: LJM DATE: 04/08/05 JOB NUMBER: 675N SHEET: C21