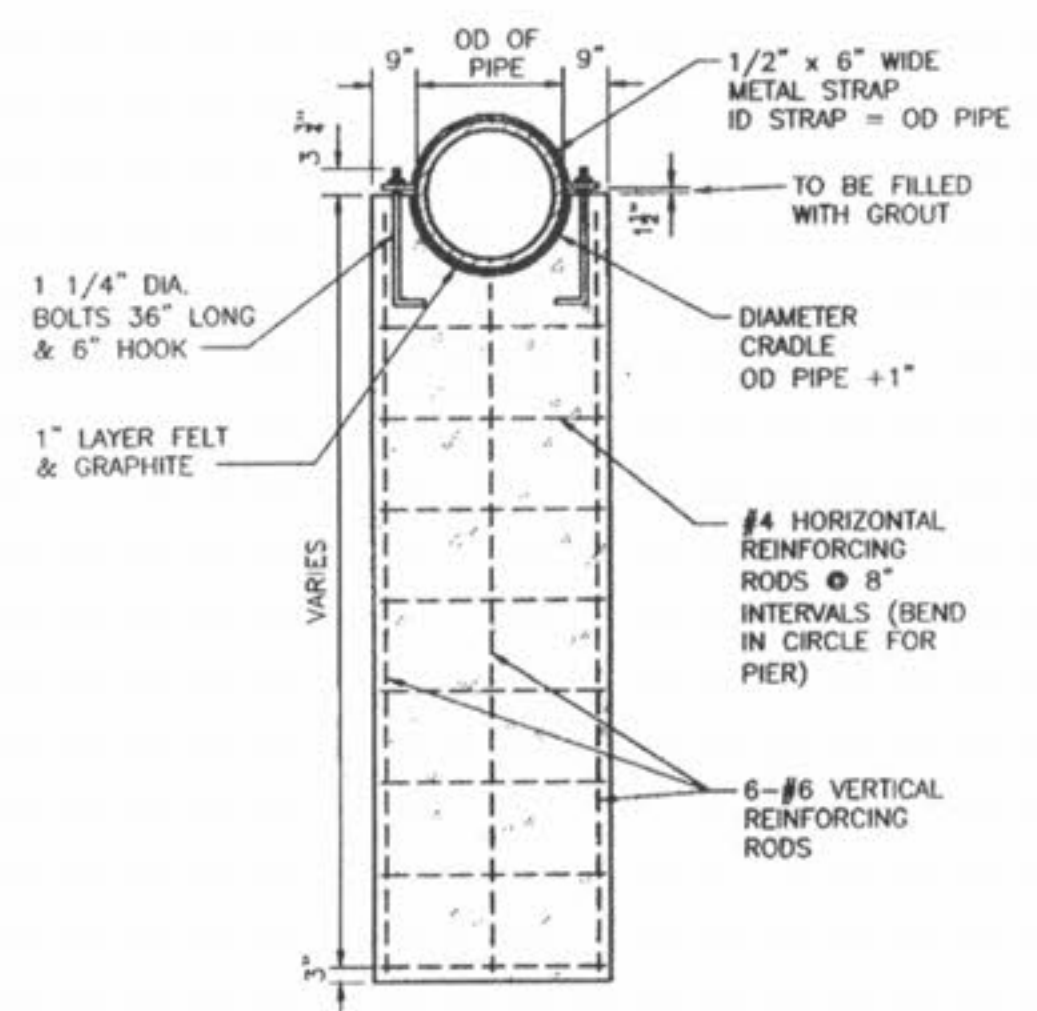
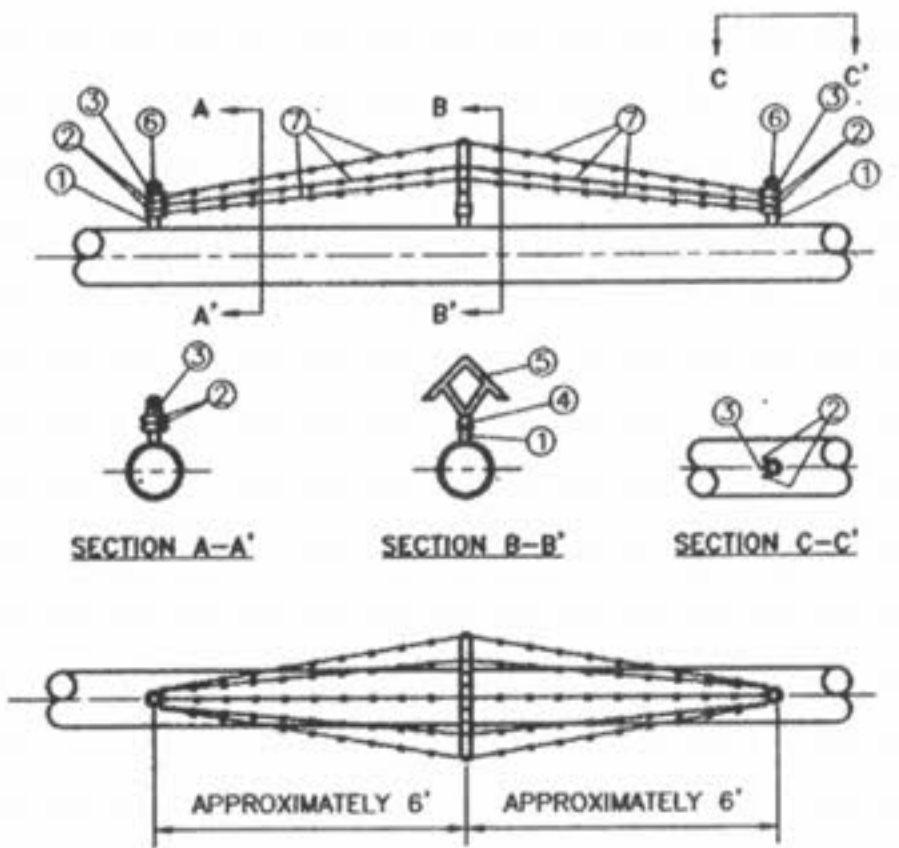


**Duckett Creek Sanitary District**  
 AERIAL CREEK CROSSING  
 DETAIL  
 Drawn By: BSM App By: KLA Detail No. 30A  
 Check By: MDOB Date: 1-10-01



**Duckett Creek Sanitary District**  
 CONCRETE PIER  
 DETAIL  
 Drawn By: BSM App By: KLA Detail No. 30B  
 Check By: MDOB Date: 1-9-01



**BILL OF MATERIAL**

| NO. | QTY | STK. NO. | SIZE               | DESCRIPTION                   |
|-----|-----|----------|--------------------|-------------------------------|
| 1   | 6"  | 36290    | 1/2" x 5"          | NIPPLE, STL. SCRD.            |
| 2   | 8   |          | 1/2" OD, 7/8"      | BRACE BARR., GALV.            |
| 3   | 4   |          | 1/2" OD, 3/4"      | BRACE BARR., GALV.            |
| 4   | 2   |          | 1/2" OD x 5/8"     | UNIVERSAL BASE, GALV.         |
| 5   | 2   |          | NORTHLAND 5 STRD.  | ARM, STL., GALV. W/BOLT       |
| 6   | 4   |          | NORTHLAND #1       | CAP. ACORN, GALV. W/SET SCREW |
| 7   | 14  | 59850    | 4 POINT, 12" GAUGE | WIRE, BARBED, GALV.           |

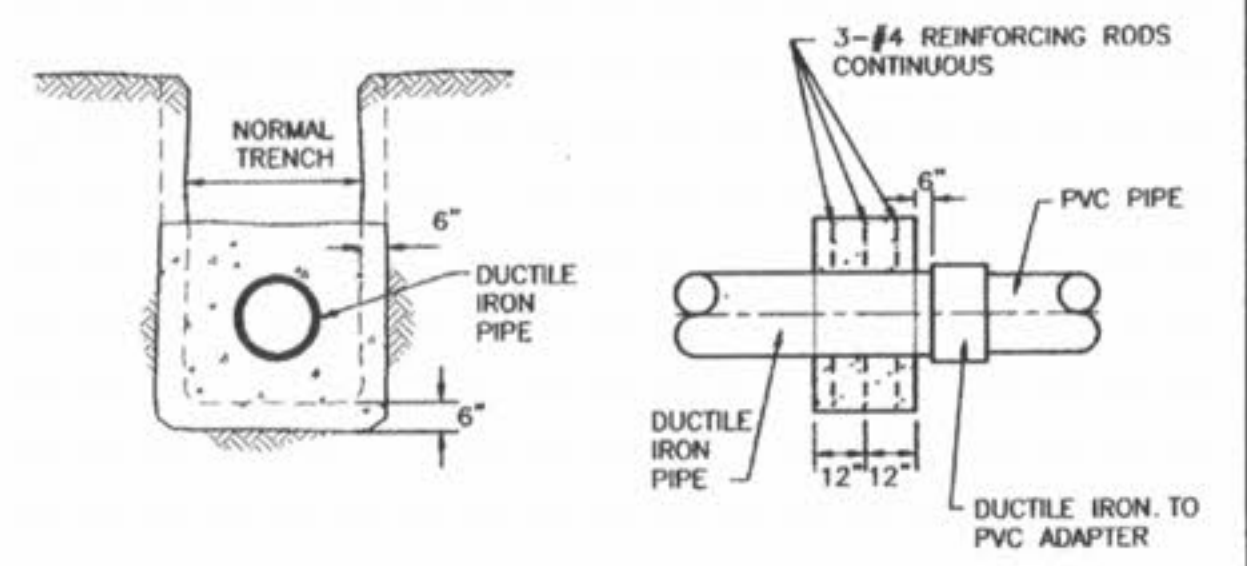
**NOTES:**

- "BILL OF MATERIALS" PROVIDES SUFFICIENT MATERIAL FOR TWO BARRICADES.
- LOCATION OF BARRICADES ON PIPING SYSTEM TO BE AS SPECIFIED ON APPROVED CONSTRUCTION DRAWINGS.
- TWO BARRICADES WILL BE REQUIRED, ONE AT EACH END OF THE CROSSING AS A DETERRENT AGAINST FOOT TRAFFIC. IN SOME INSTANCES ADDITIONAL BARRICADES MAY BE REQUIRED.
- COAT ANY EXPOSED PIPE WITH MASTIC, STOCK #51857.

\* 1/2" BARE PIPE ON JOB MAY BE SUBSTITUTED FOR 1/2" x 5" NIPPLE. SCREW THREADS NOT NECESSARY.  
 \*\* CONTACT SUPERVISOR BEFORE ORDERING BARBED WIRE. BARBED WIRE SUPPLIED IN 1320' ROLLS ONLY, NOT RETURNABLE.

**Duckett Creek Sanitary District**  
 AERIAL CROSSING BARRIER  
 DETAIL  
 Drawn By: BSM App By: KLA Detail No. 30C  
 Check By: MDOB Date: 1-9-01

| CROSSING NO. | TOTAL LENGTH OF PIPE L | LENGTH BETWEEN C OF PIPE SUPPORTS I | CARRIER PIPE OUTSIDE DIAMETER D | CARRIER PIPE WALL THICKNESS (IN.) |
|--------------|------------------------|-------------------------------------|---------------------------------|-----------------------------------|
| 1            |                        |                                     |                                 |                                   |
| 2            |                        |                                     |                                 |                                   |



**Duckett Creek Sanitary District**  
 AERIAL CROSSING CONCRETE COLLAR  
 DETAIL  
 Drawn By: BSM App By: KLA Detail No. 30D  
 Check By: MDOB Date: 1-9-01

PREPARED FOR:  
**BRINKMANN CONSTRUCTORS**  
 CONTACT: KEVIN JACOBMEYER  
 16650 CHESTERFIELD GROVE RD, SUITE 100  
 CHESTERFIELD, MO 63005  
 PH: (636) 537-9700  
 FAX: (636) 537-9880



**O'FALLON AUTO MALL**  
**SANITARY SEWER DETAILS**

**J. R. GRIMES**  
**CONSULTING ENGINEERS, INC.**

12300 OLD TESSON ROAD  
 SUITE 3000  
 ST. LOUIS, MO. 63128  
 PH. (314) 849-0100  
 FAX (314) 849-6010

|               |                |                 |                |                  |            |
|---------------|----------------|-----------------|----------------|------------------|------------|
| DRAWN BY: JLW | DATE: 04/08/05 | CHECKED BY: LJM | DATE: 04/08/05 | JOB NUMBER: 675N | SHEET: C24 |
|---------------|----------------|-----------------|----------------|------------------|------------|