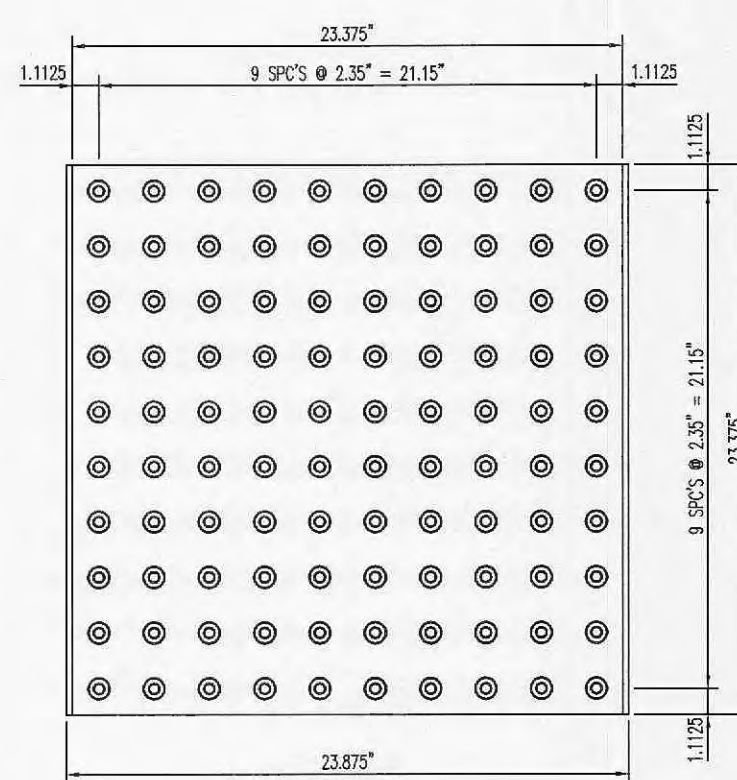
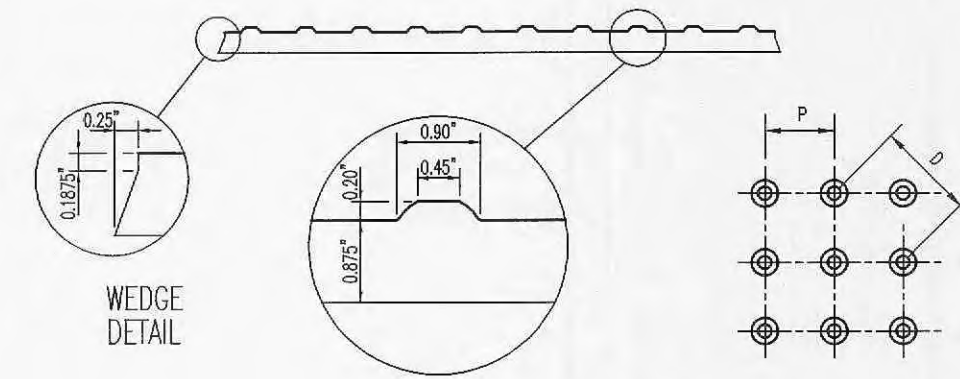


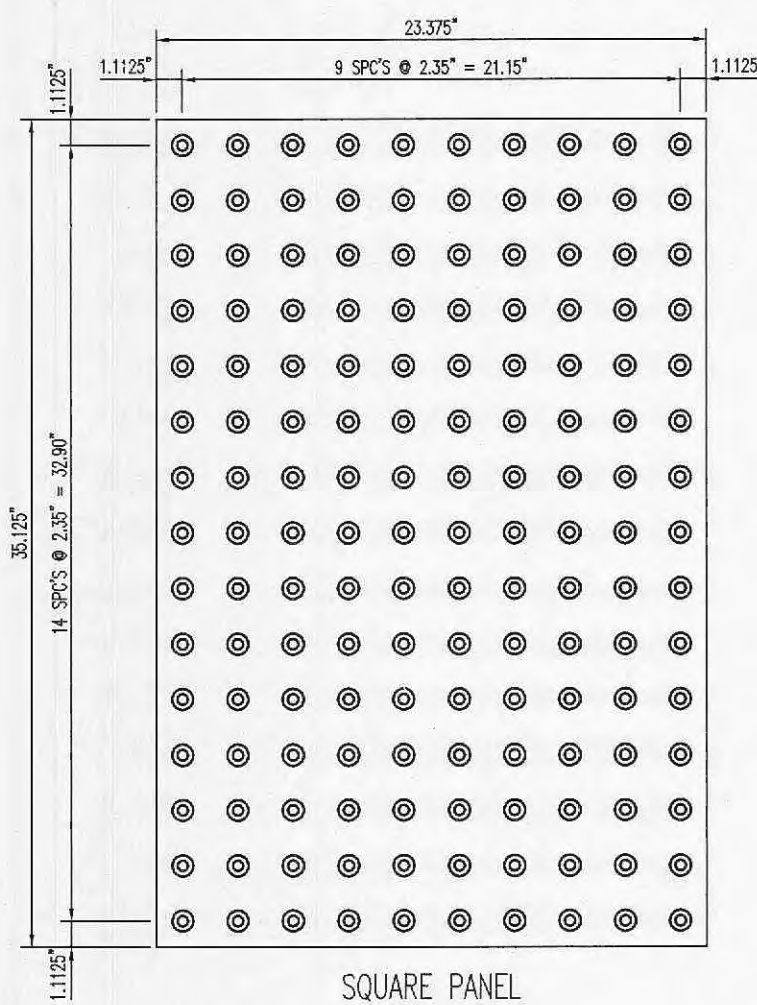
CASTinTACT™ Warning Panels are the latest innovation in detectable warning systems. A long term solution meeting both state and federal guidelines for handicap detection. CASTinTACT Warning Panels are designed for exterior use at the bottom of curb ramps and other locations such as depressed corners, raised crosswalks and raised intersections, borders of median and islands, at edge of transit platforms and where railroad tracks cross the sidewalk to warn people with visual impairments of potential hazards. Detectable warnings must be installed across the full width of ramps, and 24" minimum in length up the ramp. CASTinTACT Warning Panels are integrally colored to provide visual contrast with the adjacent walking surface.

CASTinTACT™ are cementitious based concrete panels with the same co-efficient of expansion as the concrete base. 7/8" thick high strength concrete reinforced with stainless steel prestress strands resulting in a high strength and crack resistant panel. Abrasion resistant truncated domes are achieved with an engineered mix design of granite and quartz aggregate that produces an average compressive strength of 10,000 psi (69 MPa). CASTinTACT are quality controlled manufactured to produce a dense, freeze thaw durable panel. Architectural concrete finished for safe wet and dry slip resistance. Concrete surfaces are easily maintained and cleaned with pressure washing.



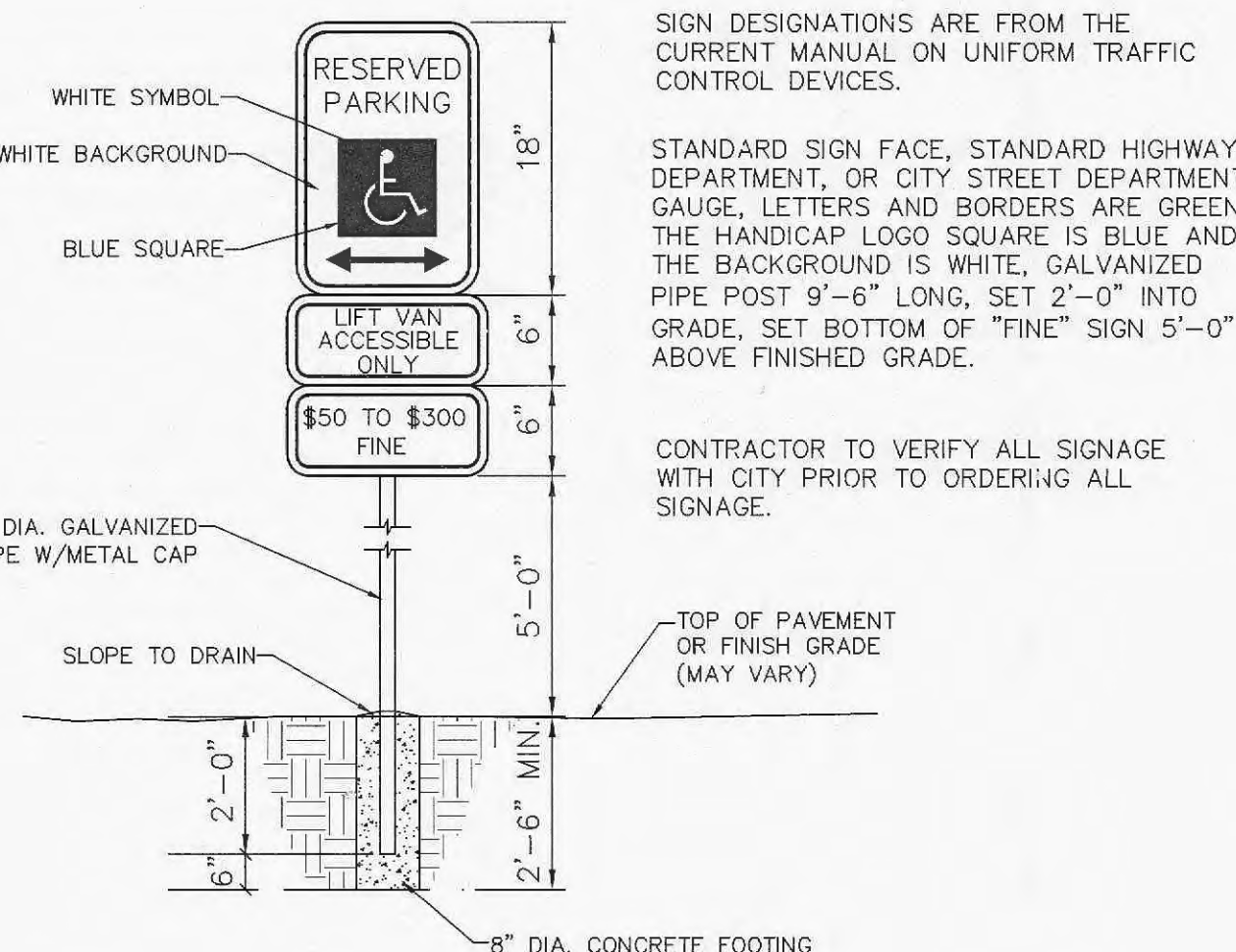
WEDGE PANEL

**PANEL SIZES AVAILABLE**  
 Wedge Edge Panel includes 1'x2', 2'x2', 2.5'x2', 3'x2'  
 Square Edge Panel includes 2'x2', 3'x2' and 4'x2'  
 Stocking colors are yellow, red, black and white.  
 Custom colors special order.



SQUARE PANEL

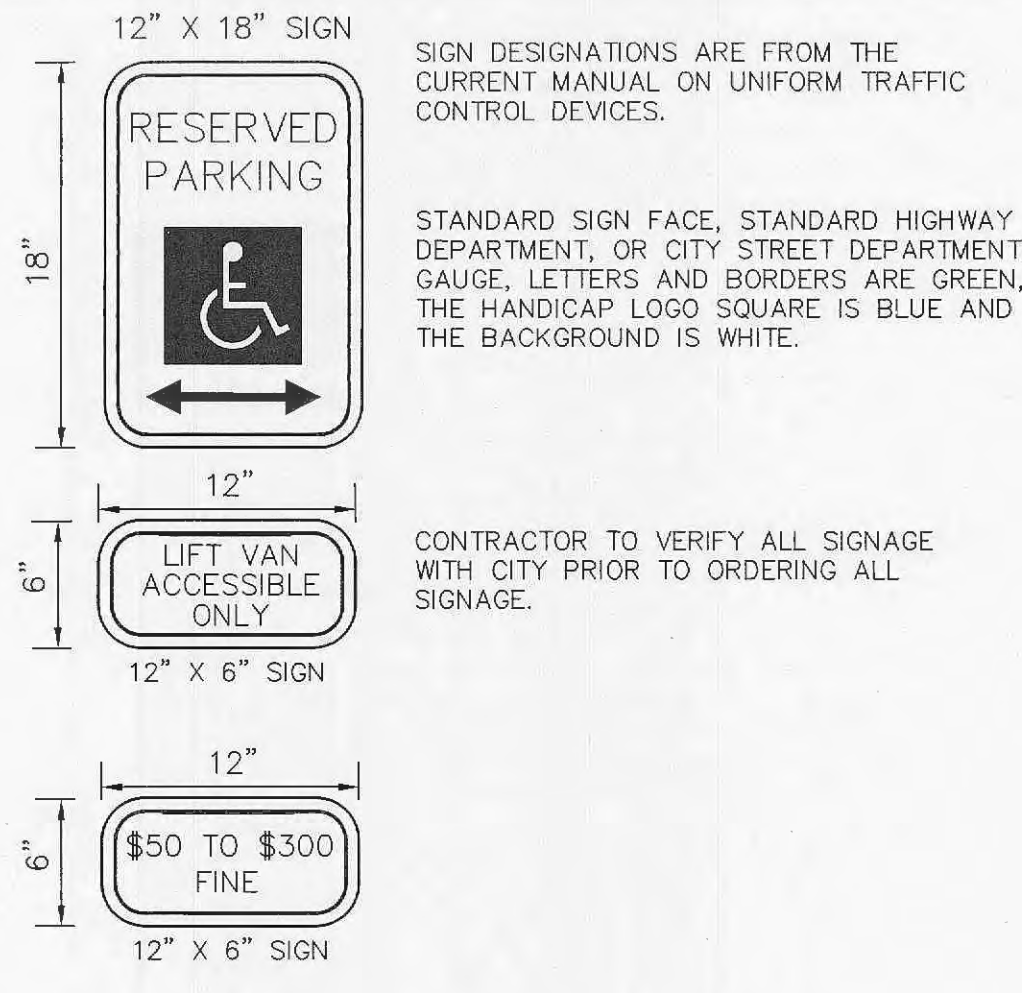
**WEDGE SPECIFICATIONS**  
 Americans with Disabilities Act 4.29.2 Standards  
 Dome Base = 0.9" (23 mm)  
 Dome Top = 0.45" (12mm)  
 Dome Height = 0.2" (5 mm)  
 Dome Spacing (P) = 2.35" (60mm)  
 Dome Diag. Spacing (D) = 3.32" (85mm)  
**PANEL SPECIFICATION**  
 Panel Thickness = 0.875" (22mm)  
 Avg. Panel PSI = 10,000 (69 MPa) ASTM C39  
 Reinforcement = 304 Stainless Steel 1/16"  
 7x7 4" OC both directions and faces.  
 Final prestress forces after loss, 300 lbs per  
 Tendon, net panel prestress force 172 psi in both  
 Directions.  
 Slip Resistance = 0.80 ASTM D 2047 Modified



RESERVED PARKING SIGN  
 LIFT VAN ACCESSIBLE ONLY SIGN  
 CONTRACTOR TO VERIFY ALL SIGNAGE WITH CITY PRIOR TO ORDERING ALL SIGNAGE.

SIGN DESIGNATIONS ARE FROM THE CURRENT MANUAL ON UNIFORM TRAFFIC CONTROL DEVICES.  
 STANDARD SIGN FACE, STANDARD HIGHWAY DEPARTMENT, OR CITY STREET DEPARTMENT GAUGE, LETTERS AND BORDERS ARE GREEN, THE HANDICAP LOGO SQUARE IS BLUE AND THE BACKGROUND IS WHITE, GALVANIZED PIPE POST 9'-6" LONG, SET 2'-0" INTO GRADE, SET BOTTOM OF "FINE" SIGN 5'-0" ABOVE FINISHED GRADE.

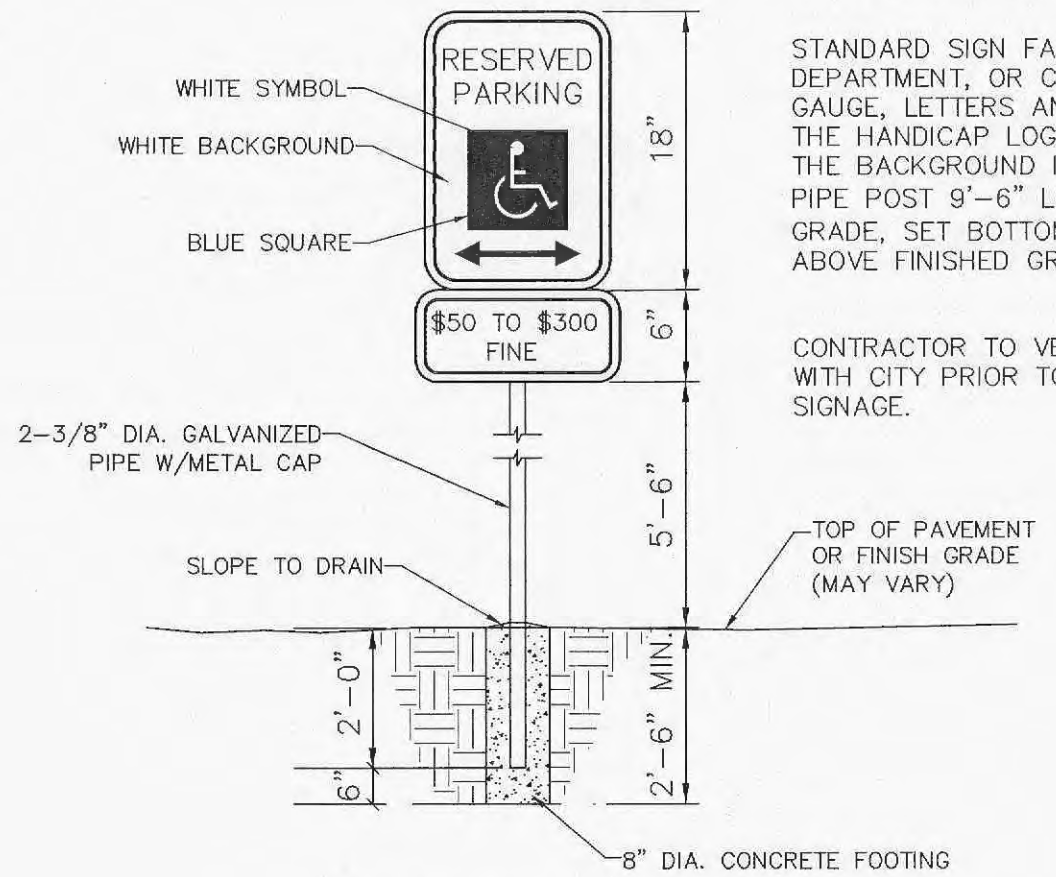
CONTRACTOR TO VERIFY ALL SIGNAGE WITH CITY PRIOR TO ORDERING ALL SIGNAGE.



RESERVED PARKING SIGN  
 LIFT VAN ACCESSIBLE ONLY SIGN  
 \$50 TO \$300 FINE SIGN  
 CONTRACTOR TO VERIFY ALL SIGNAGE WITH CITY PRIOR TO ORDERING ALL SIGNAGE.

SIGN DESIGNATIONS ARE FROM THE CURRENT MANUAL ON UNIFORM TRAFFIC CONTROL DEVICES.  
 STANDARD SIGN FACE, STANDARD HIGHWAY DEPARTMENT, OR CITY STREET DEPARTMENT GAUGE, LETTERS AND BORDERS ARE GREEN, THE HANDICAP LOGO SQUARE IS BLUE AND THE BACKGROUND IS WHITE.

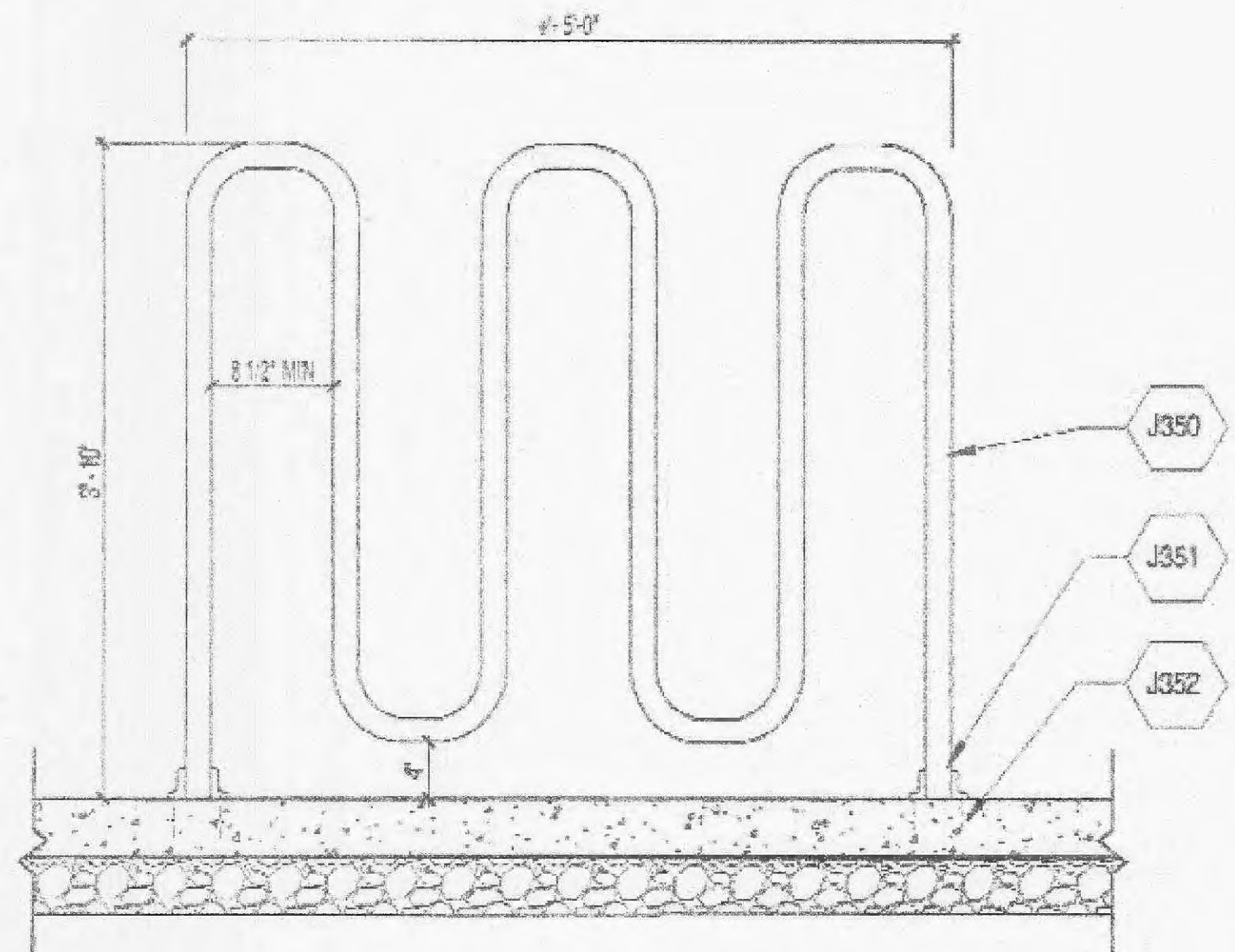
CONTRACTOR TO VERIFY ALL SIGNAGE WITH CITY PRIOR TO ORDERING ALL SIGNAGE.



RESERVED PARKING SIGN  
 LIFT VAN ACCESSIBLE ONLY SIGN  
 \$50 TO \$300 FINE SIGN  
 CONTRACTOR TO VERIFY ALL SIGNAGE WITH CITY PRIOR TO ORDERING ALL SIGNAGE.

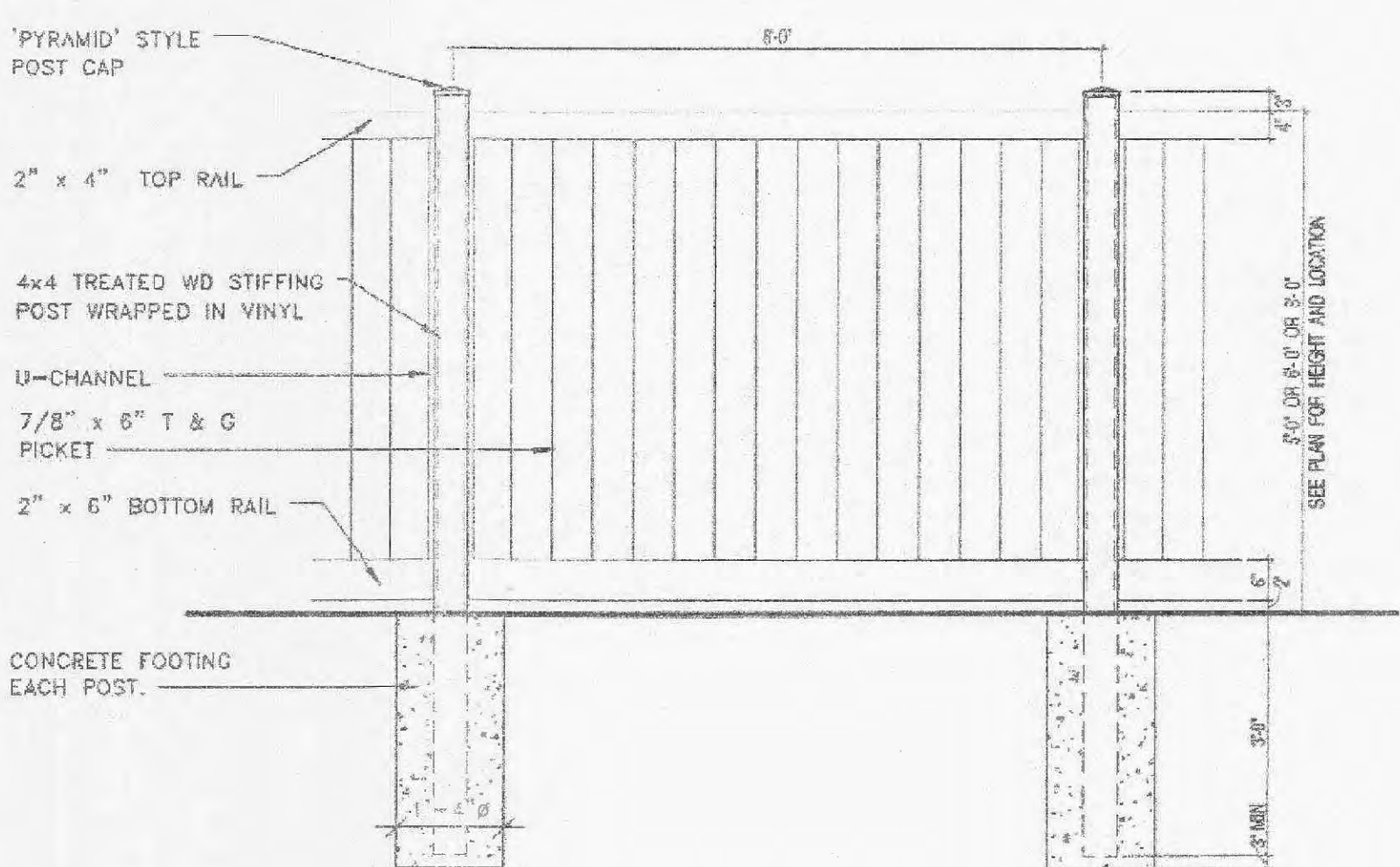
SIGN DESIGNATIONS ARE FROM THE CURRENT MANUAL ON UNIFORM TRAFFIC CONTROL DEVICES.  
 STANDARD SIGN FACE, STANDARD HIGHWAY DEPARTMENT, OR CITY STREET DEPARTMENT GAUGE, LETTERS AND BORDERS ARE GREEN, THE HANDICAP LOGO SQUARE IS BLUE AND THE BACKGROUND IS WHITE, GALVANIZED PIPE POST 9'-6" LONG, SET 2'-0" INTO GRADE, SET BOTTOM OF "FINE" SIGN 5'-6" ABOVE FINISHED GRADE.

CONTRACTOR TO VERIFY ALL SIGNAGE WITH CITY PRIOR TO ORDERING ALL SIGNAGE.

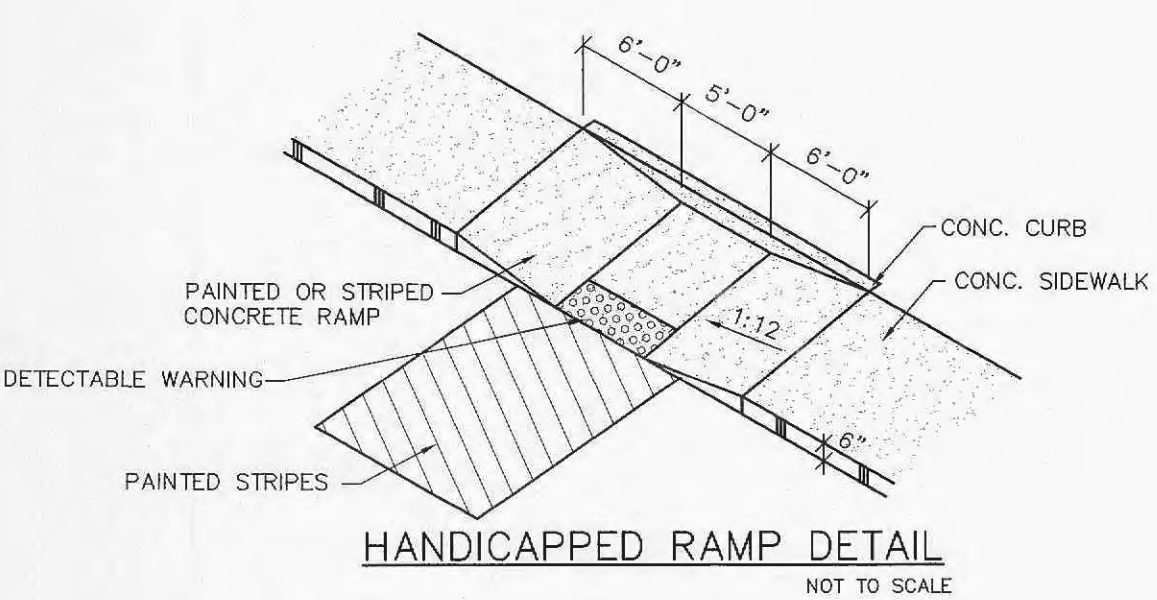


BIKE RACK DETAIL  
 USE OR SIMILAR

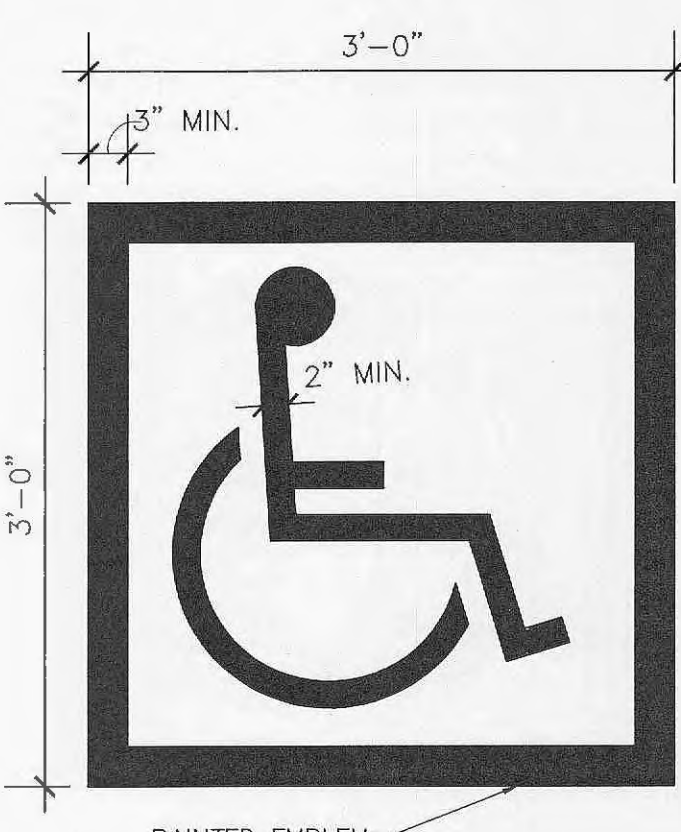
J350 ALUMINUM TUBE —  
 FACTORY FINISHED — COLOR  
 FROM MANUFACTURER FULL LINE  
 J351 CAST ALUMINUM BASE  
 PLATE BY MANUFACTURER  
 J352 (4) FASTENERS PER  
 MANUFACTURER  
 RECOMMENDATION — 3" EMBED  
 DEPTH — SET IN EPOXY  
 BIKE RACK CALCULATIONS:  
 (1) RACK PER 15 PARKING  
 SPACES, WITH A MINIMUM OF(4)  
 RACK SPACES PER BUILDING.  
 SITE HAS UNDER 15 TOTAL  
 PARKING SPACES, PROVIDE A  
 BIKE RACK THAT WILL  
 ACCOMMODATE A MINIMUM OF 4  
 BICYCLE SPACES.



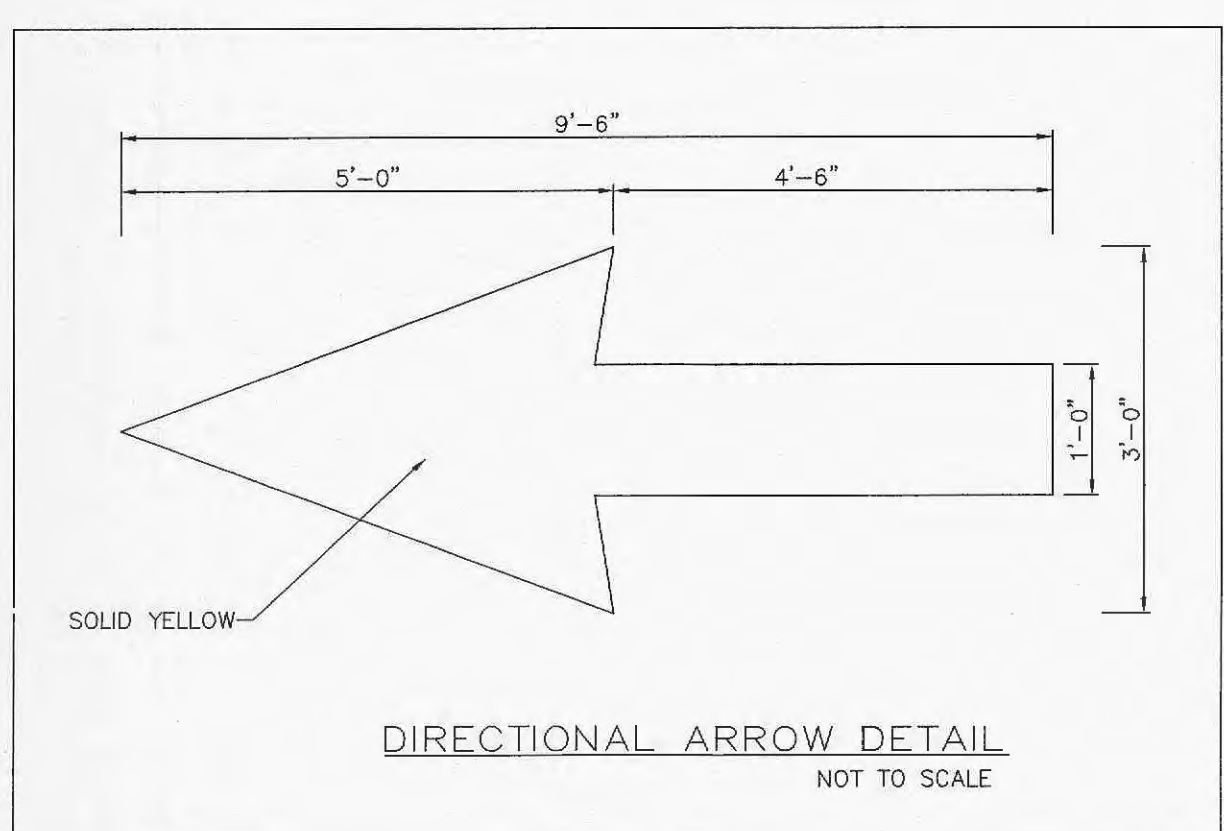
VINYL FENCE DETAIL  
 NOT TO SCALE



HANDICAPPED RAMP DETAIL  
 NOT TO SCALE



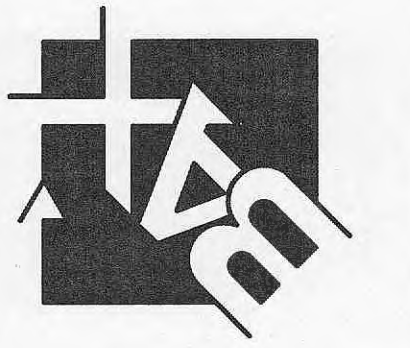
PAINTED ACCESSIBLE PARKING SYMBOL  
 NOT TO SCALE



DIRECTIONAL ARROW DETAIL  
 NOT TO SCALE

**PROJECT TITLE:**  
 FIRE HOUSE #1  
 O'FALLON FIRE DISTRICT

**ENGINEERING  
 PLANNING  
 SURVEYING**  
 221 Point West Blvd.  
 St. Charles, MO 63301  
 636-928-6662  
 FAX 636-928-1718



**DISCLAIMER OF RESPONSIBILITY**  
 I hereby specify that the documents intended to be  
 authenticated by my seal are limited to this sheet,  
 and I hereby disclaim any responsibility for all other  
 drawings, specifications, estimates, reports or other  
 documents or instruments relating to or intended to  
 be used for any part or parts of the architectural or  
 engineering project or projects.



Copyright 2014  
 Box Engineering Company, Inc.  
 Engineering Authority No. 000655  
 Surveying Authority No. 000144  
 All Rights Reserved

**REVISIONS**

ADD	DATE	DESCRIPTION
ADD 1	5-6-14	
ADD 2	5-13-14	
5-13-14		CITY COMMENTS
5-30-14		CITY COMMENTS
6-5-14		REAR DRIVE P&Z

**Developer / Owner:**  
 O'FALLON FIRE PROTECTION DISTRICT  
 119 EAST ELM STREET  
 O'FALLON, MO 63366-2600  
 636-272-3493

**P+Z No.** 16-14  
**City No.** 14-169

**Page No.**  
 15 of 21

**REFERENCE DETAILS**