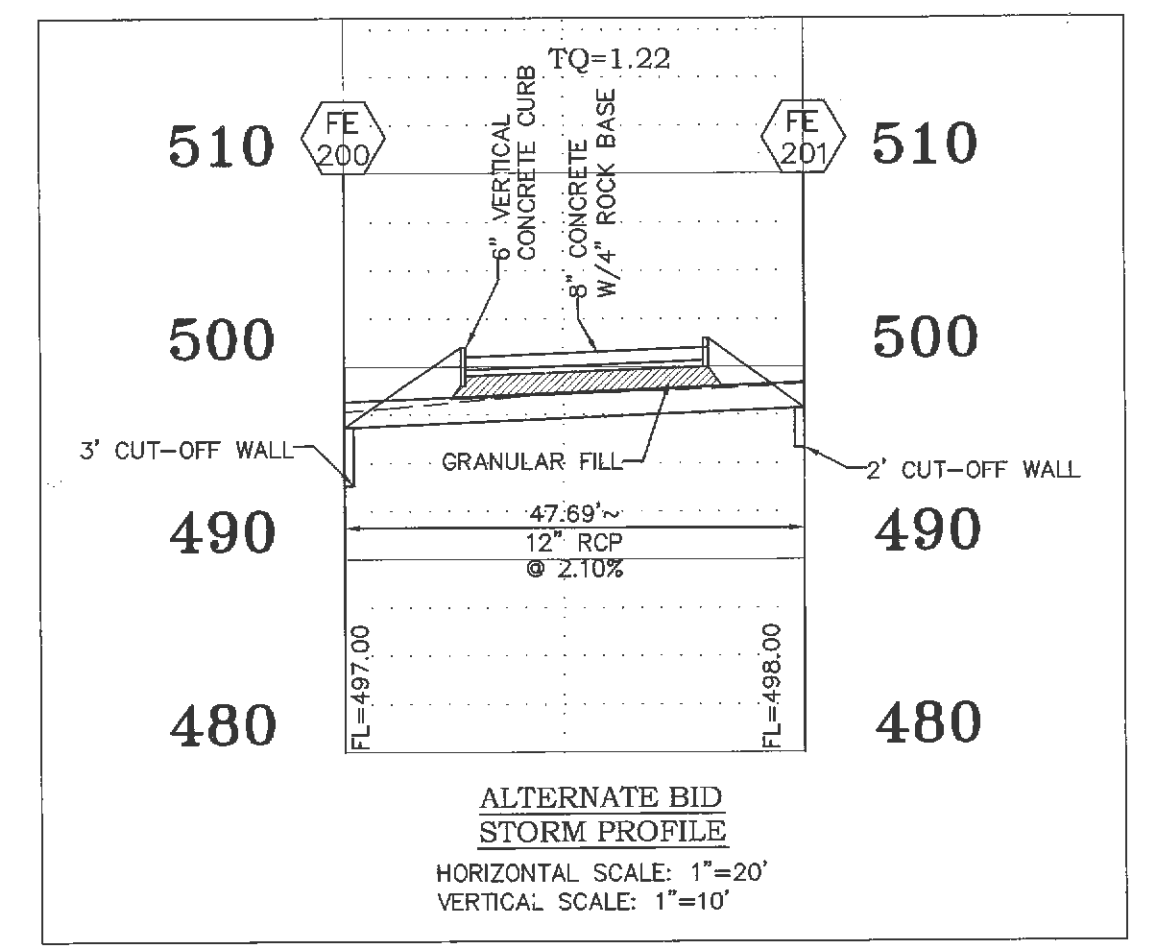
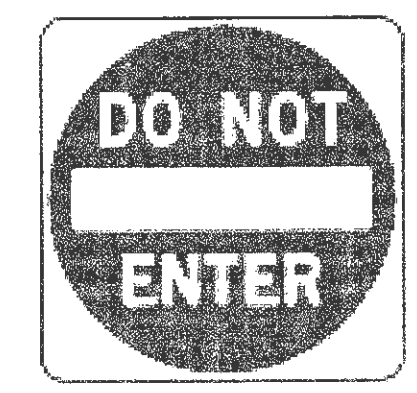
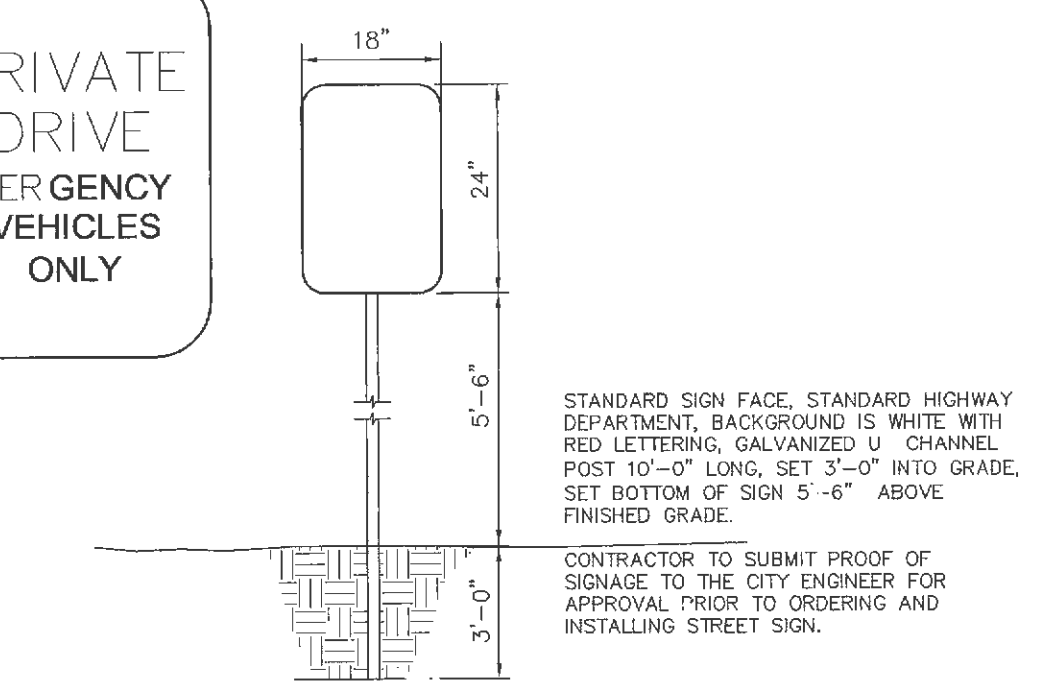


ENTRANCES ALONG HIGHWAY M DETAILS
ALL SPCT ELEVATIONS ARE TOP OF PAVEMENT



**PRIVATE DRIVE
EMERGENCY VEHICLES
ONLY**



30"x30" SIGN PLACED ON HEAVY "U" CHANNEL PAINTED BLACK STEEL POSTS. POSTS TO EXTEND A MINIMUM OF 30" INTO THE GROUND. SIGN TO COMPLY WITH NOTE RN #19 ON SHEET 2. MOUNT BOTTOM OF SIGN A MINIMUM OF 5'-6" ABOVE GRADE.

STANDARD SIGN FACE, STANDARD HIGHWAY DEPARTMENT, BACKGROUND IS WHITE, WITH RED LETTERING, GALVANIZED U CHANNEL POST 10'-0" LONG, SET 3'-0" INTO GRADE, SET BOTTOM OF SIGN 5'-6" ABOVE FINISHED GRADE.

CONTRACTOR TO SUBMIT PROOF OF SIGNAGE TO THE CITY ENGINEER FOR APPROVAL PRIOR TO ORDERING AND INSTALLING STREET SIGN.

UNDERGROUND UTILITIES HAVE BEEN PLOTTED FROM AVAILABLE INFORMATION AND THEREFORE THEIR LOCATIONS SHALL BE CONSIDERED APPROXIMATE ONLY. THE VERIFICATION OF THE LOCATION OF ALL UNDERGROUND UTILITIES, EITHER SHOWN OR NOT SHOWN ON THESE PLANS SHALL BE THE RESPONSIBILITY OF THE CONTRACTOR, AND SHALL BE LOCATED PRIOR TO ANY GRADING OR CONSTRUCTION OF THE IMPROVEMENTS.

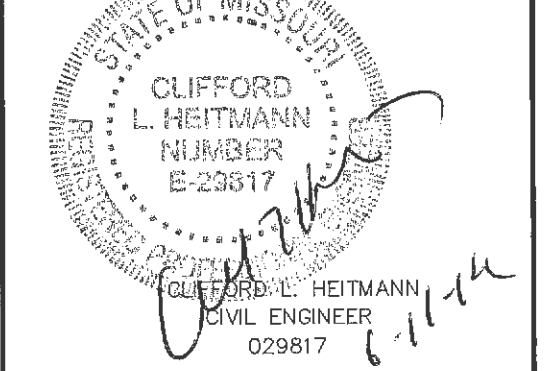
PROJECT TITLE:
FIRE HOUSE #1
O'FALLON FIRE DISTRICT

**ENGINEERING
PLANNING
SURVEYING**

221 Point West Blvd.
St. Charles, MO 63301
636-928-5552
FAX 928-1718



DISCLAIMER OF RESPONSIBILITY:
I hereby specify that the documents intended to be authorized by my seal are limited to this sheet, and I hereby disclaim any responsibility for all other drawings, specifications, estimates, reports or other documents or instruments related to or intended to be used for any part or parts of the architectural or engineering project or survey.



Copyright 2014
Bax Engineering Company, Inc.
Engineering Authority No. 000655
Surveying Authority No. 000144
All Rights Reserved

REVISIONS

ADD 1	5-6-14
ADD 2	5-13-14
5-13-14	CITY COMMENTS
5-30-14	CITY COMMENTS
6-5-14	REAR DRIVE P&Z

Developer / Owner:
O'FALLON FIRE PROTECTION DISTRICT
119 EAST ELM STREET
O'FALLON, MO 63366-2600
636-272-3493

REFERENCE DETAILS

P+Z No. 16-14
City No. 14-169

Page No.
17 of 21