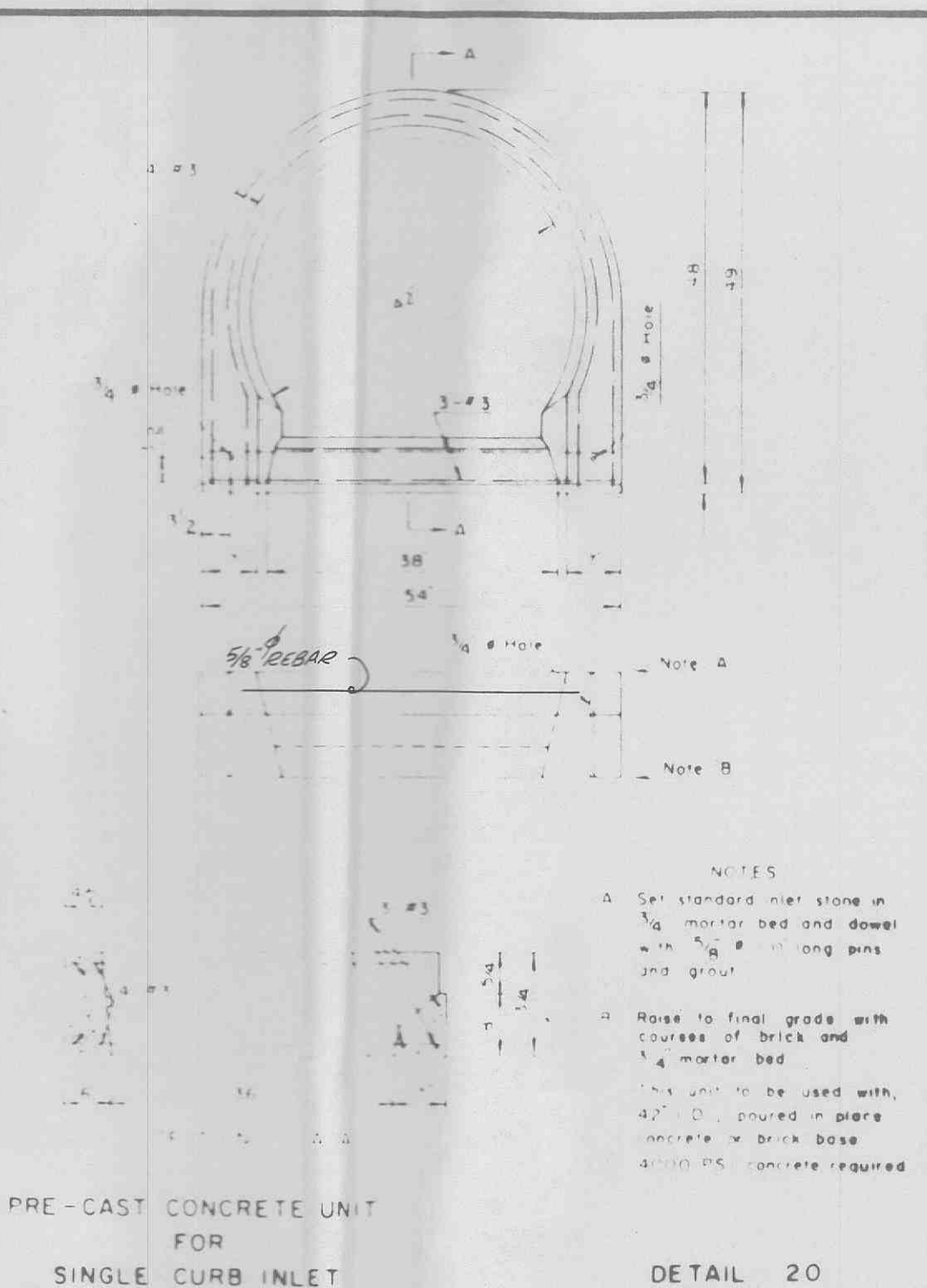
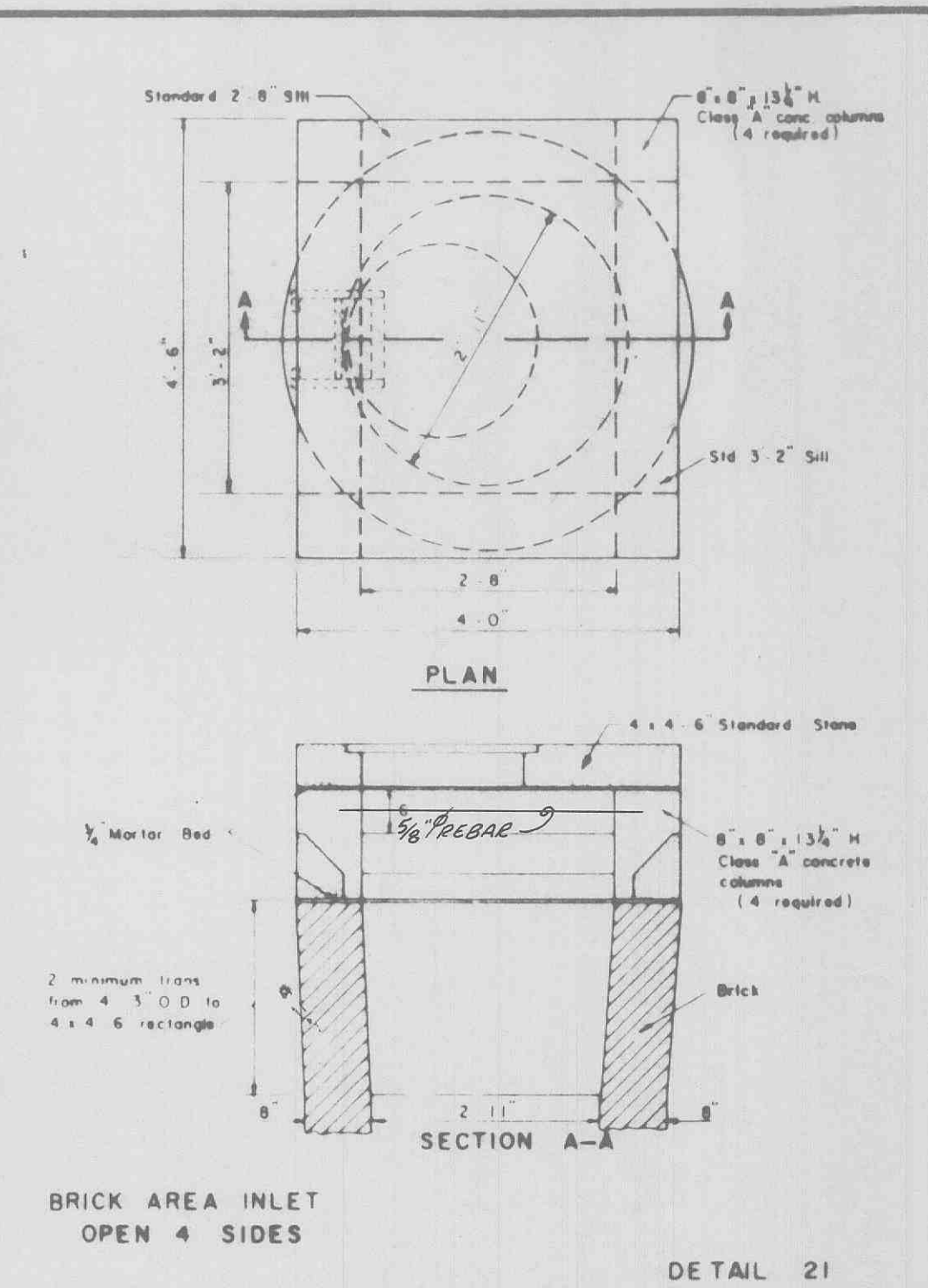


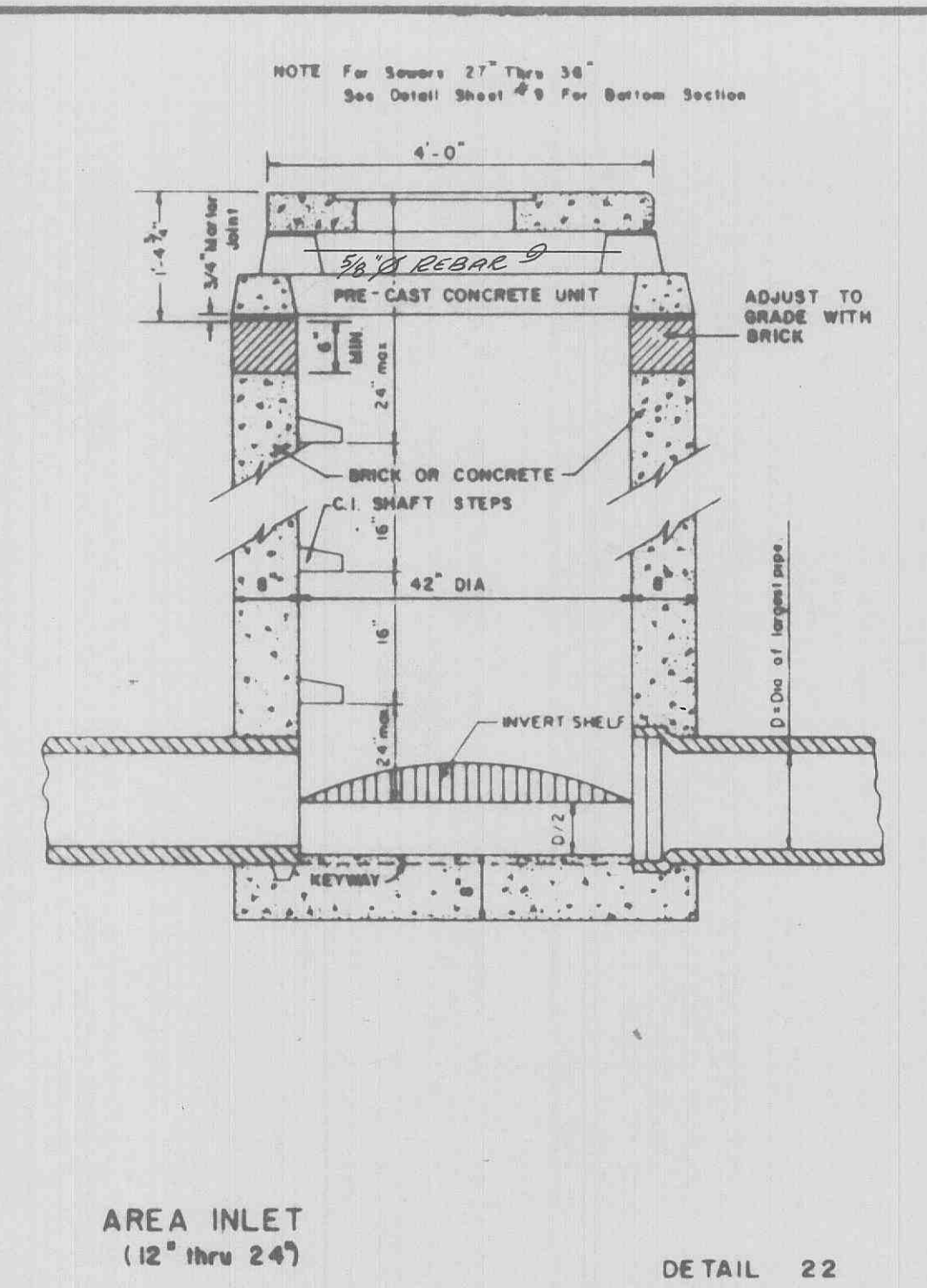
UNTRAPPED STREET INLET BRICK CONSTRUCTION DETAIL 19



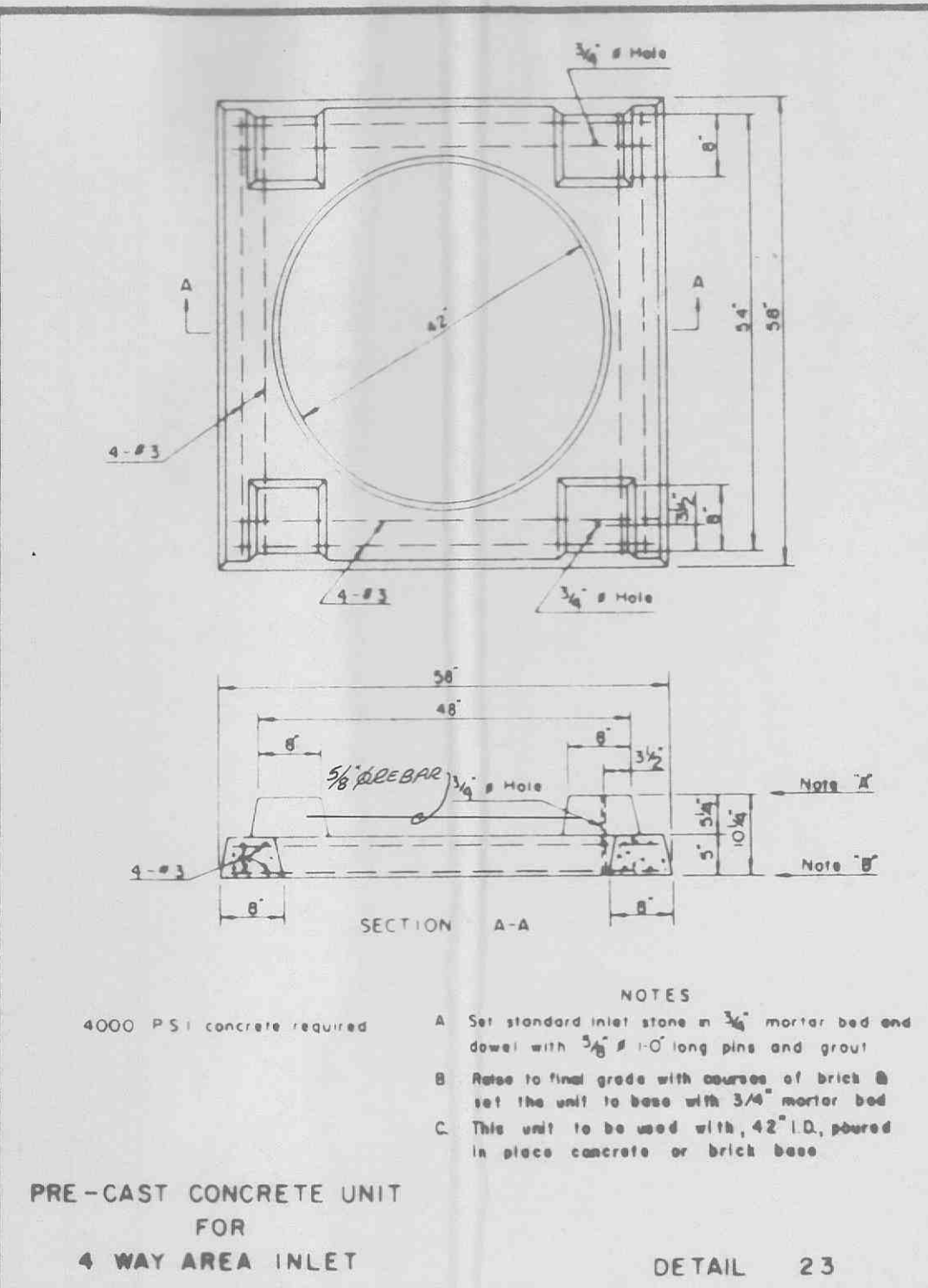
PRE-CAST CONCRETE UNIT FOR SINGLE CURB INLET DETAIL 20



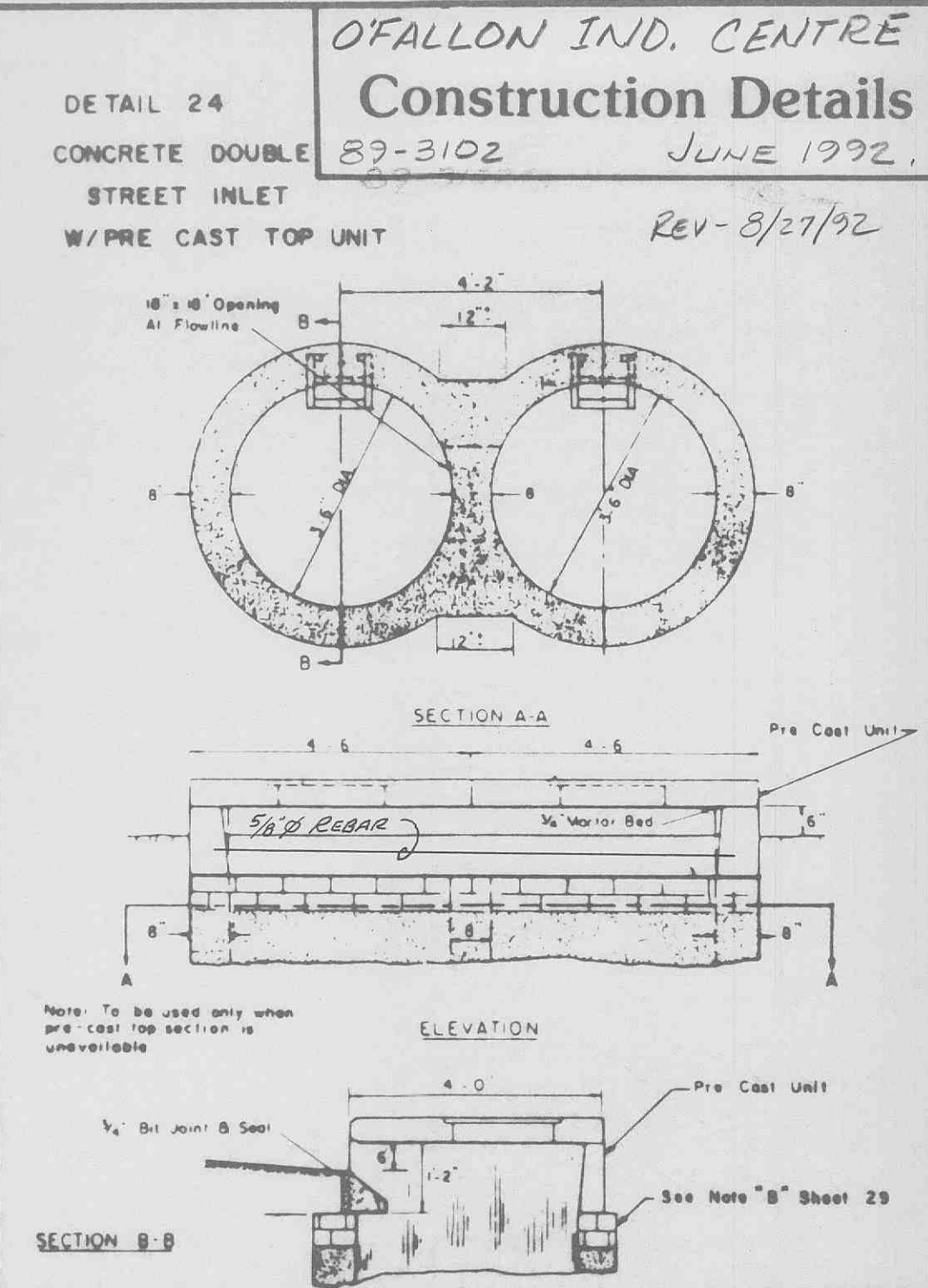
BRICK AREA INLET OPEN 4 SIDES DETAIL 21



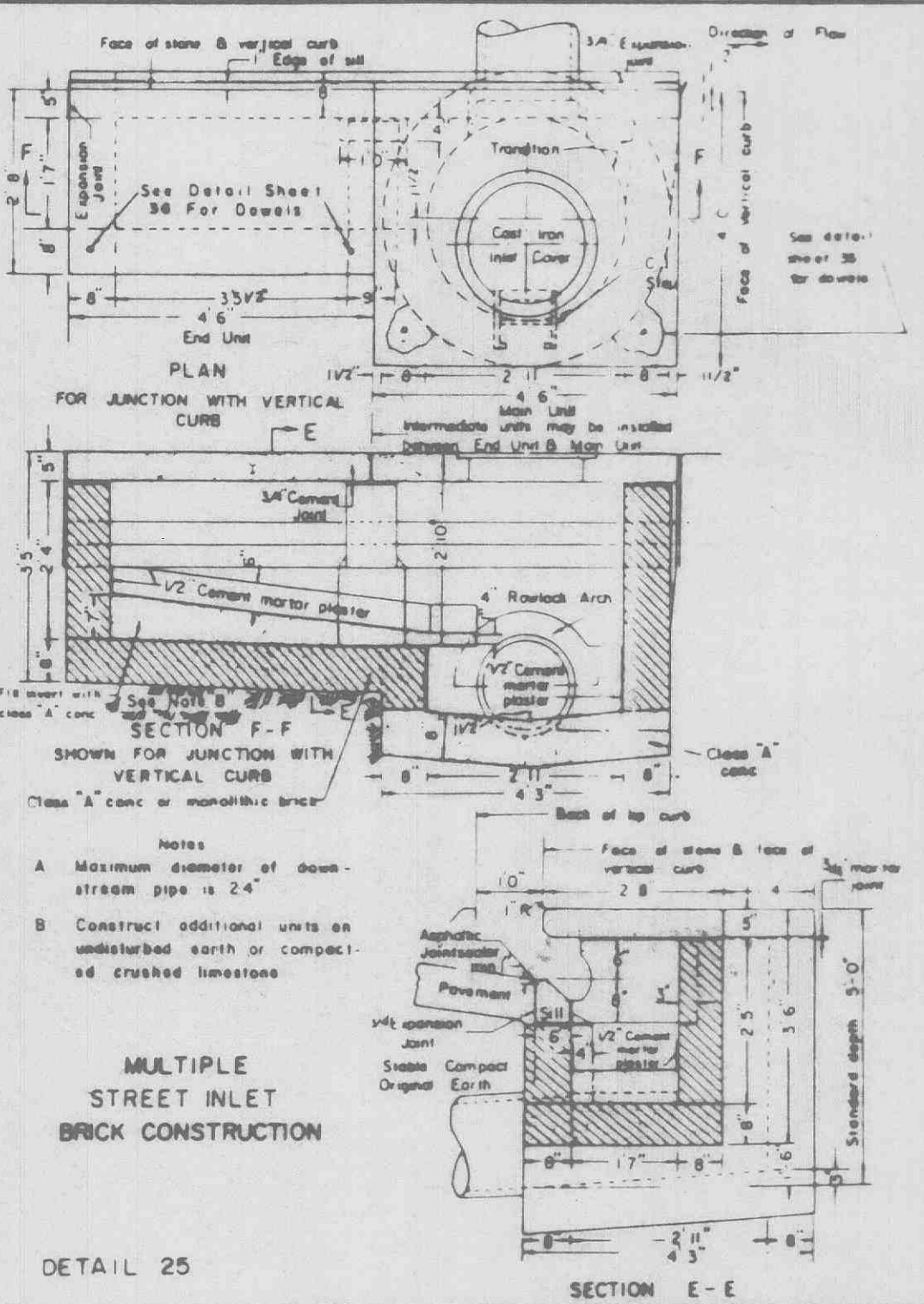
AREA INLET (12\"/>



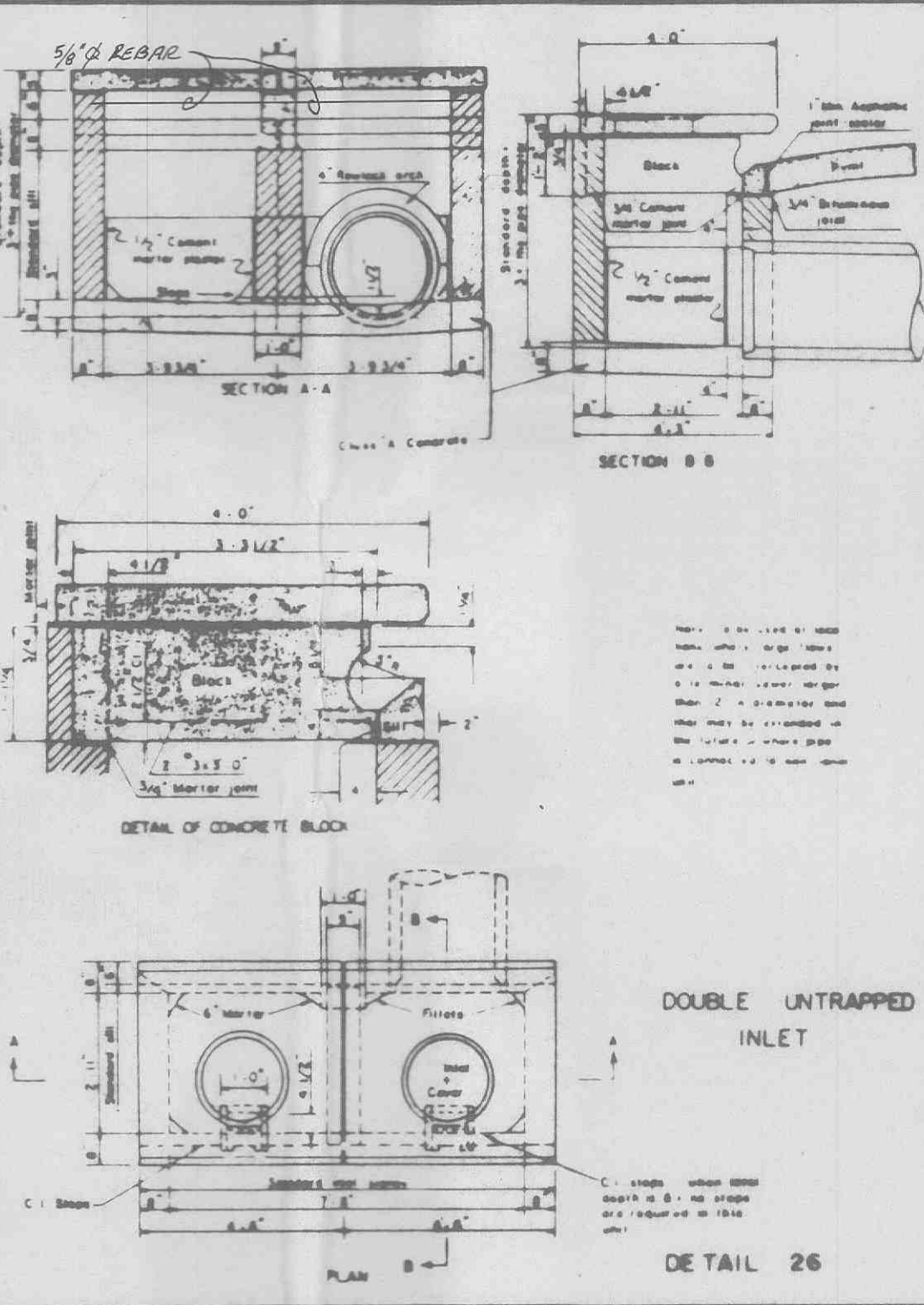
PRE-CAST CONCRETE UNIT FOR 4 WAY AREA INLET DETAIL 23



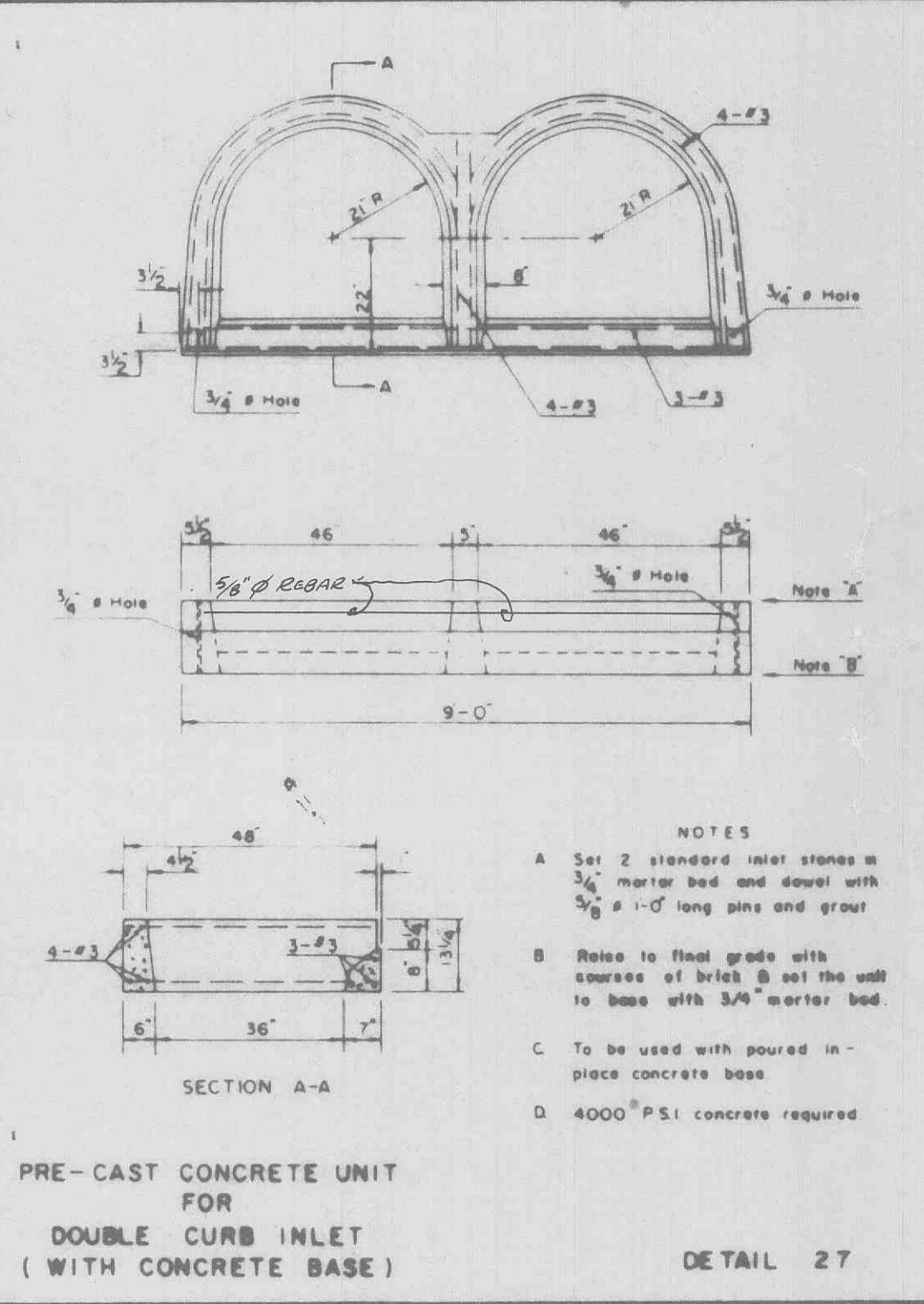
CONCRETE DOUBLE STREET INLET W/PRE CAST TOP UNIT DETAIL 24



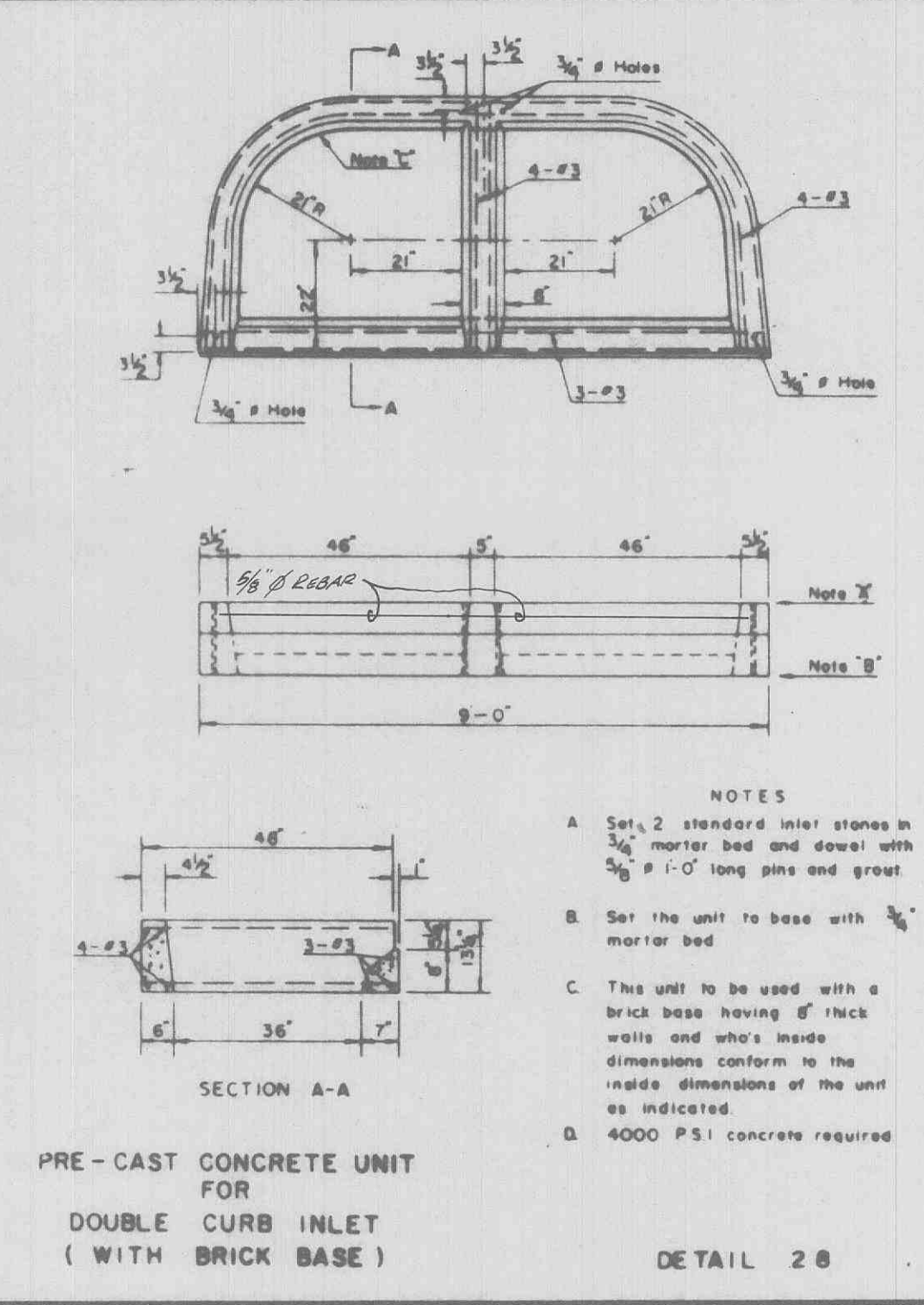
MULTIPLE STREET INLET BRICK CONSTRUCTION DETAIL 25



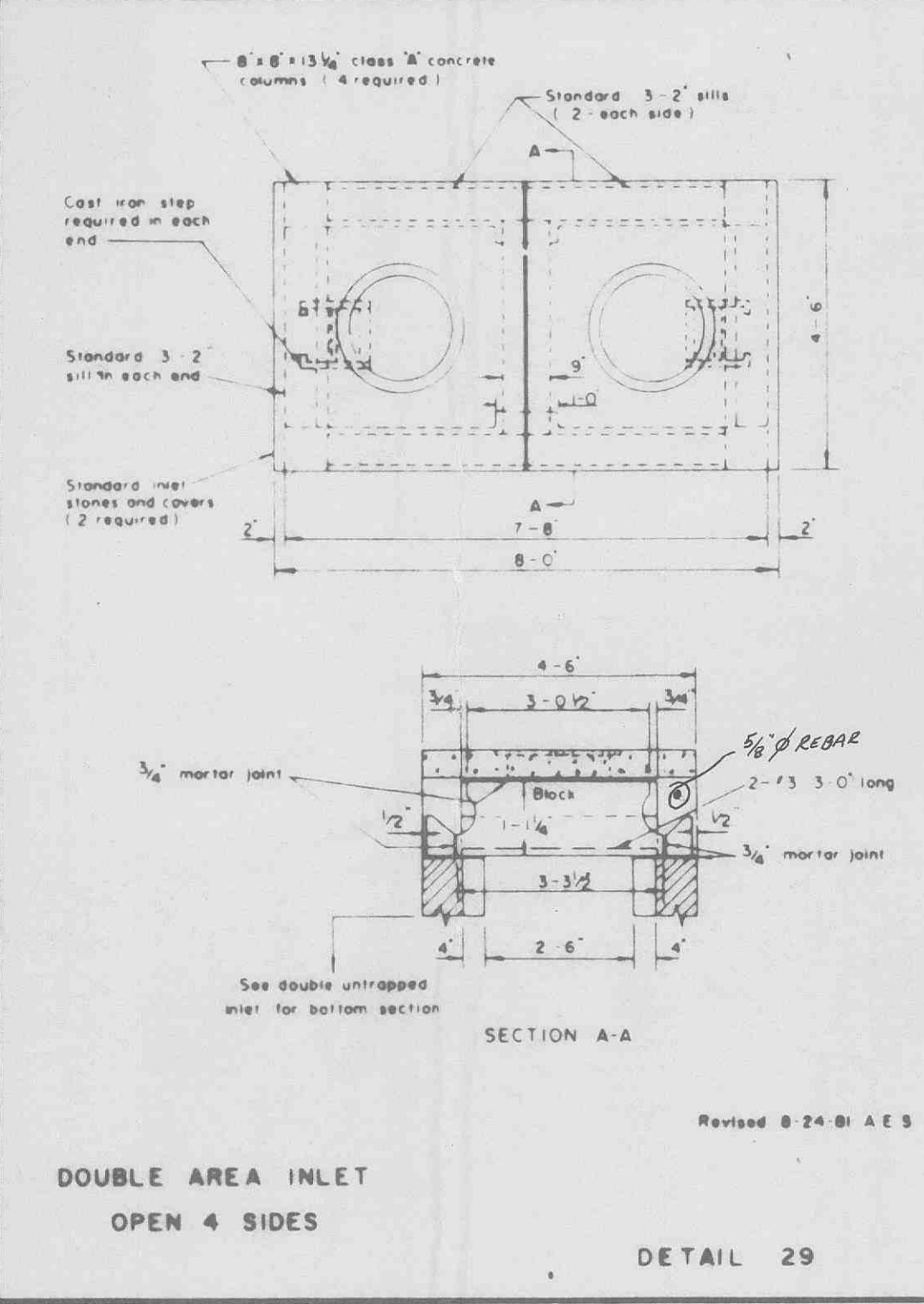
DOUBLE UNTRAPPED INLET DETAIL 26



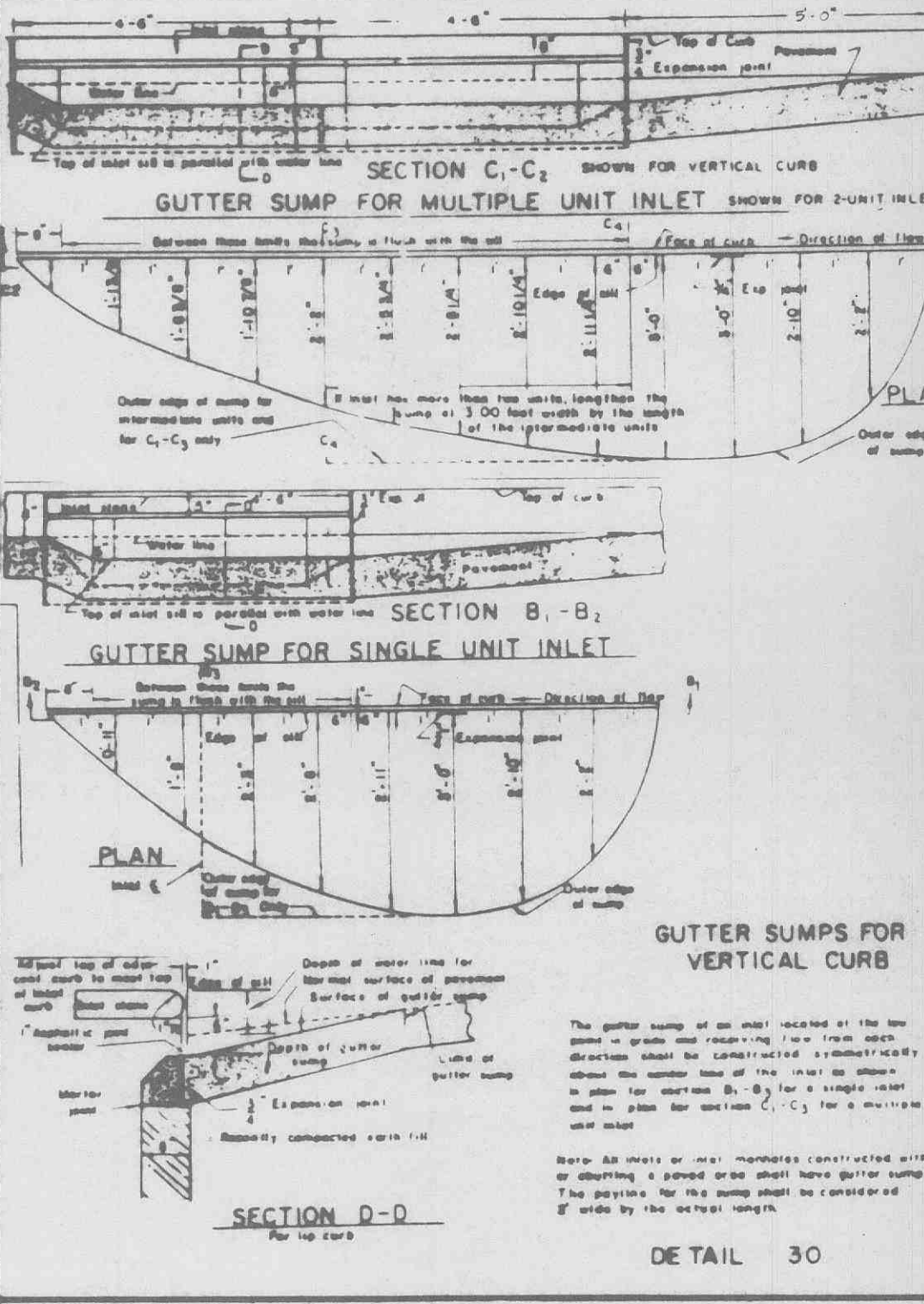
PRE-CAST CONCRETE UNIT FOR DOUBLE CURB INLET (WITH CONCRETE BASE) DETAIL 27



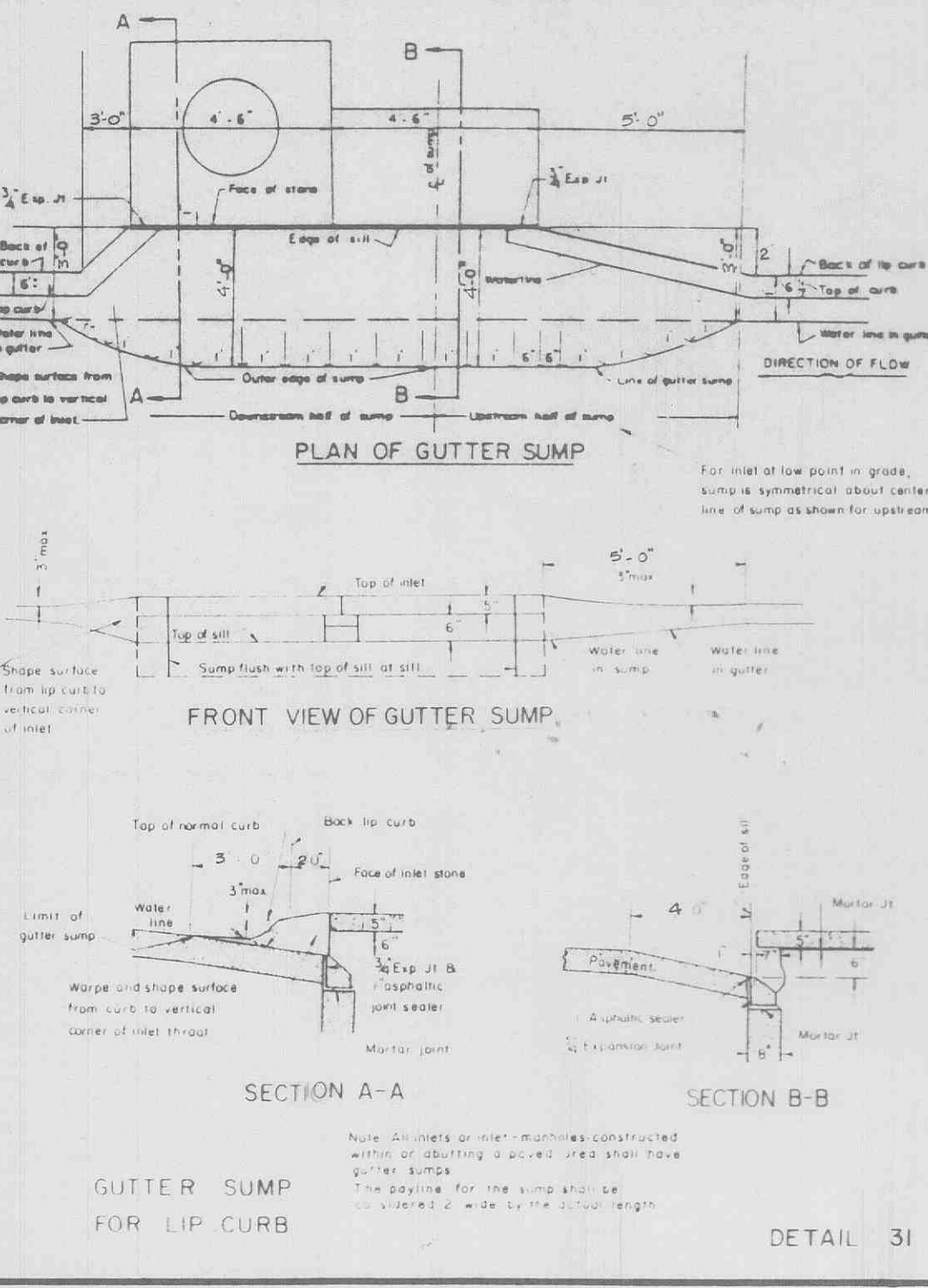
PRE-CAST CONCRETE UNIT FOR DOUBLE CURB INLET (WITH BRICK BASE) DETAIL 28



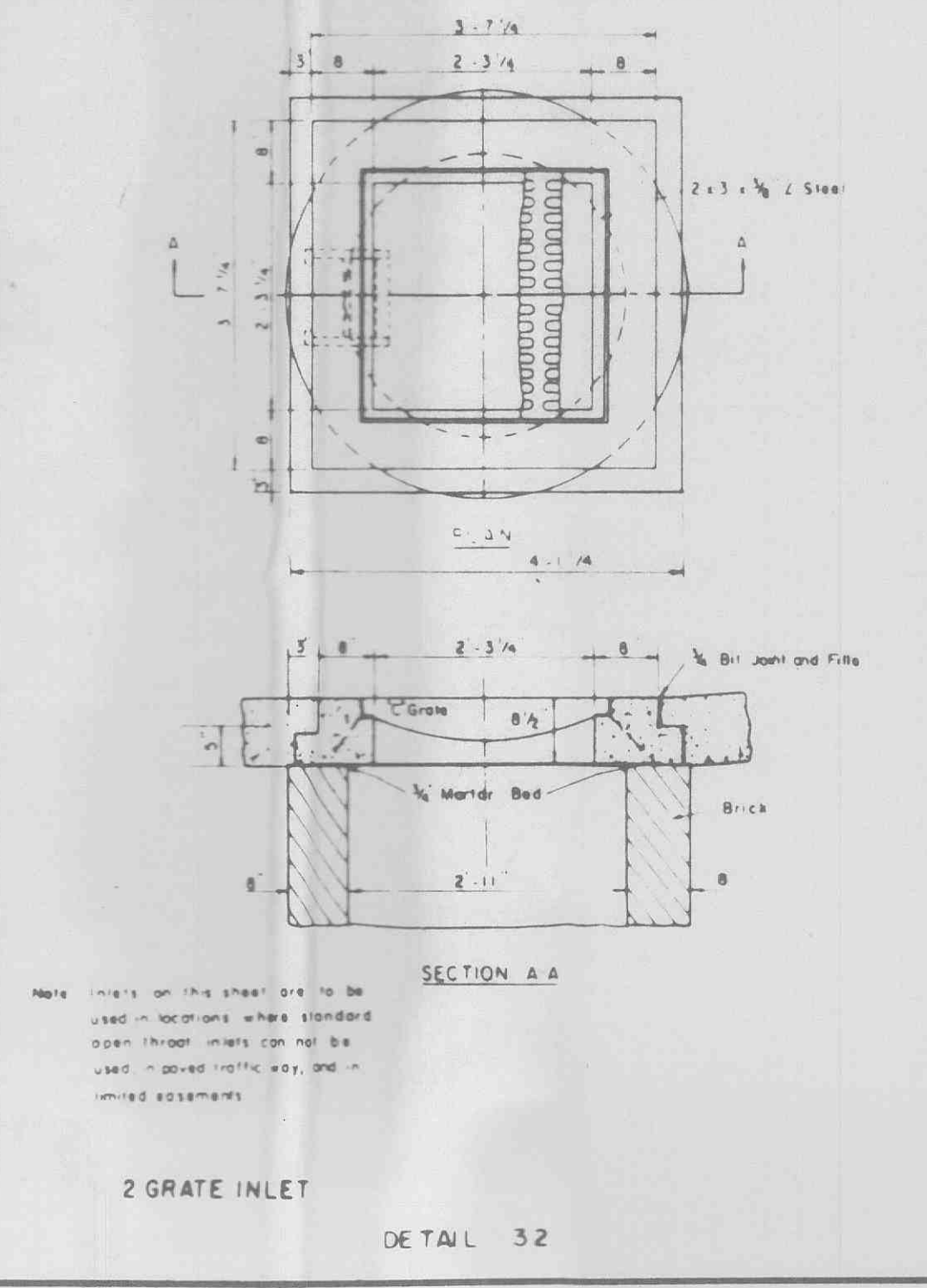
DOUBLE AREA INLET OPEN 4 SIDES DETAIL 29



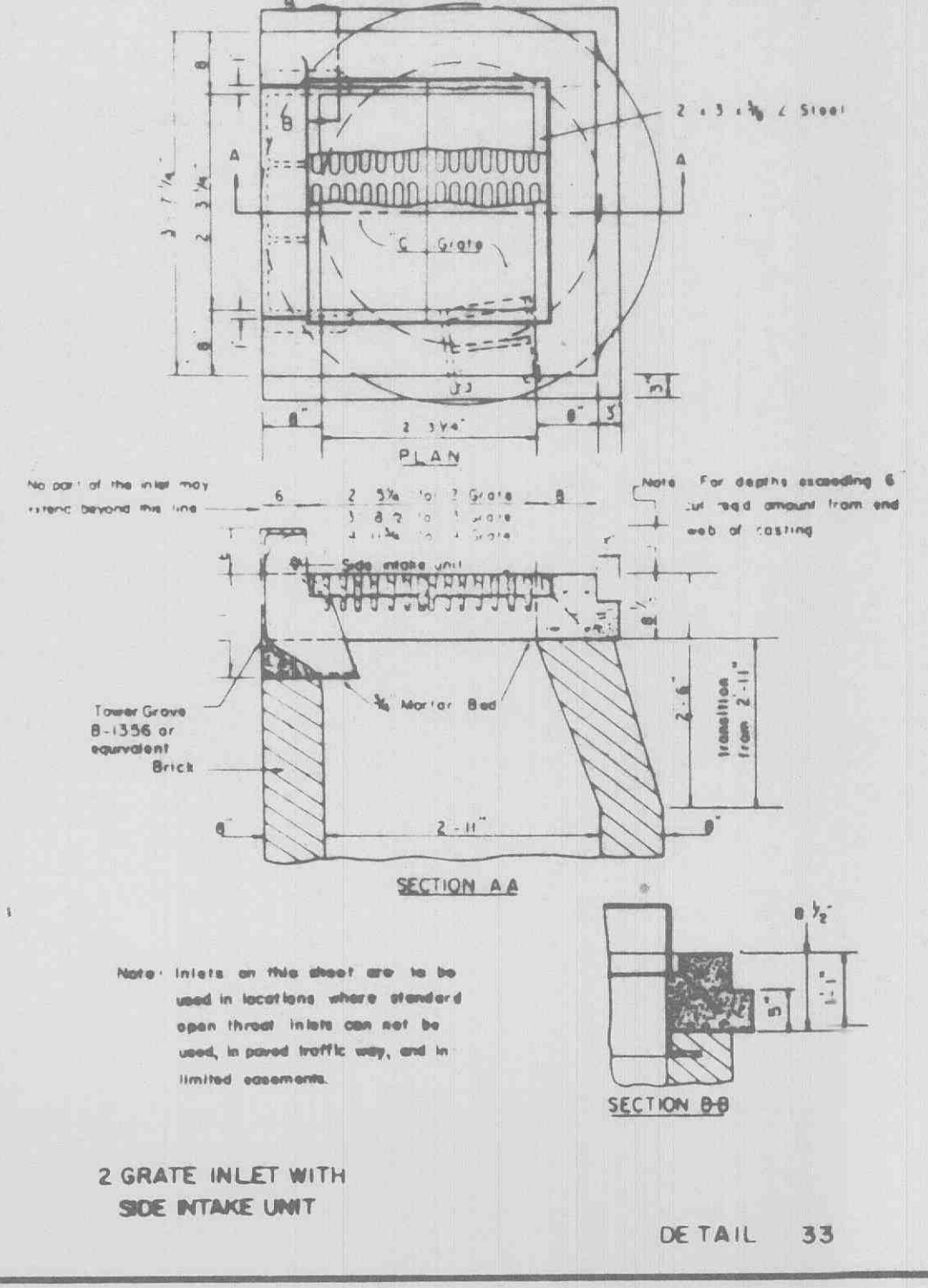
GUTTER SUMP FOR MULTIPLE UNIT INLET AND GUTTER SUMP FOR SINGLE UNIT INLET DETAIL 30



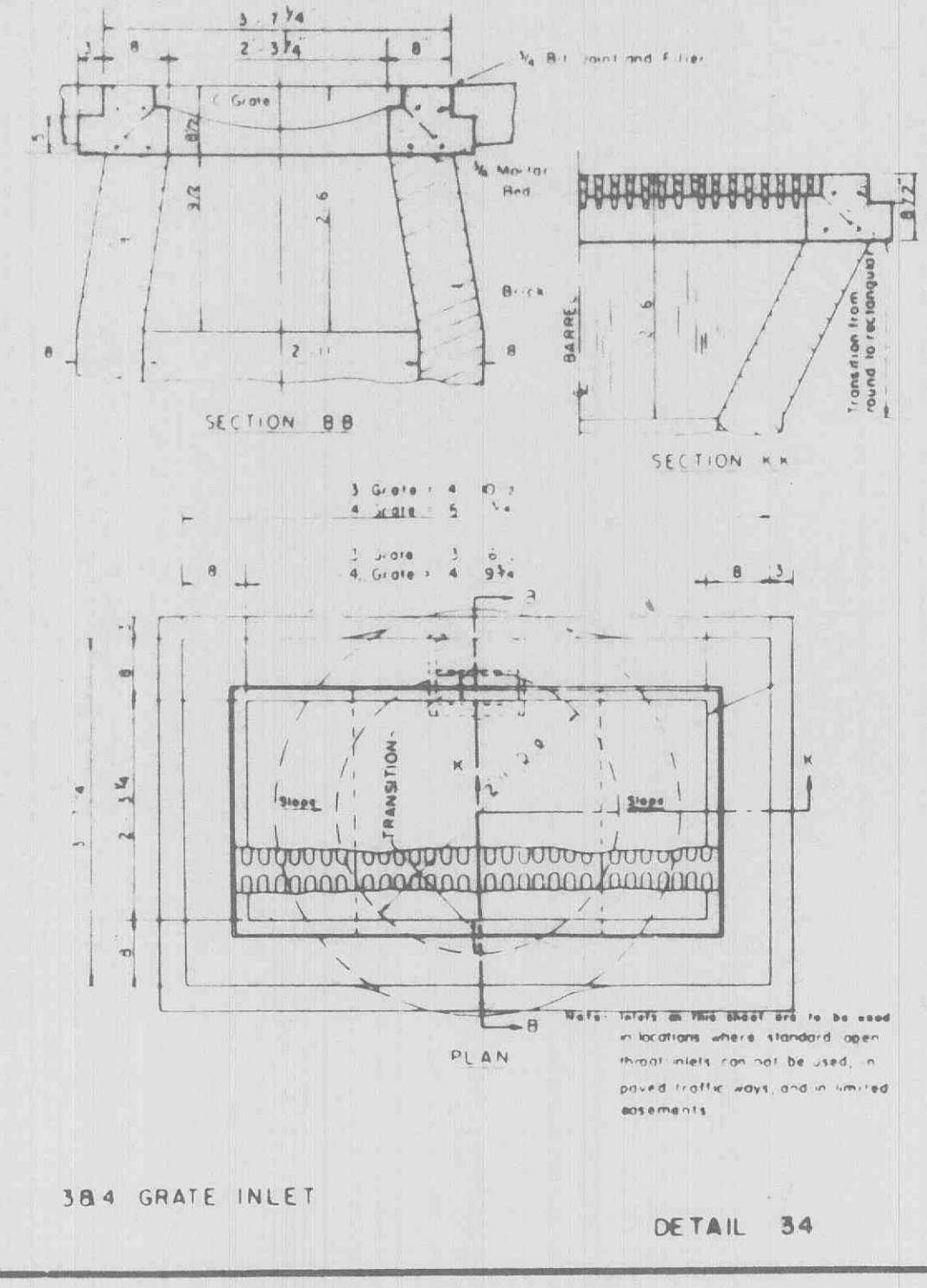
GUTTER SUMP FOR LIP CURB DETAIL 31



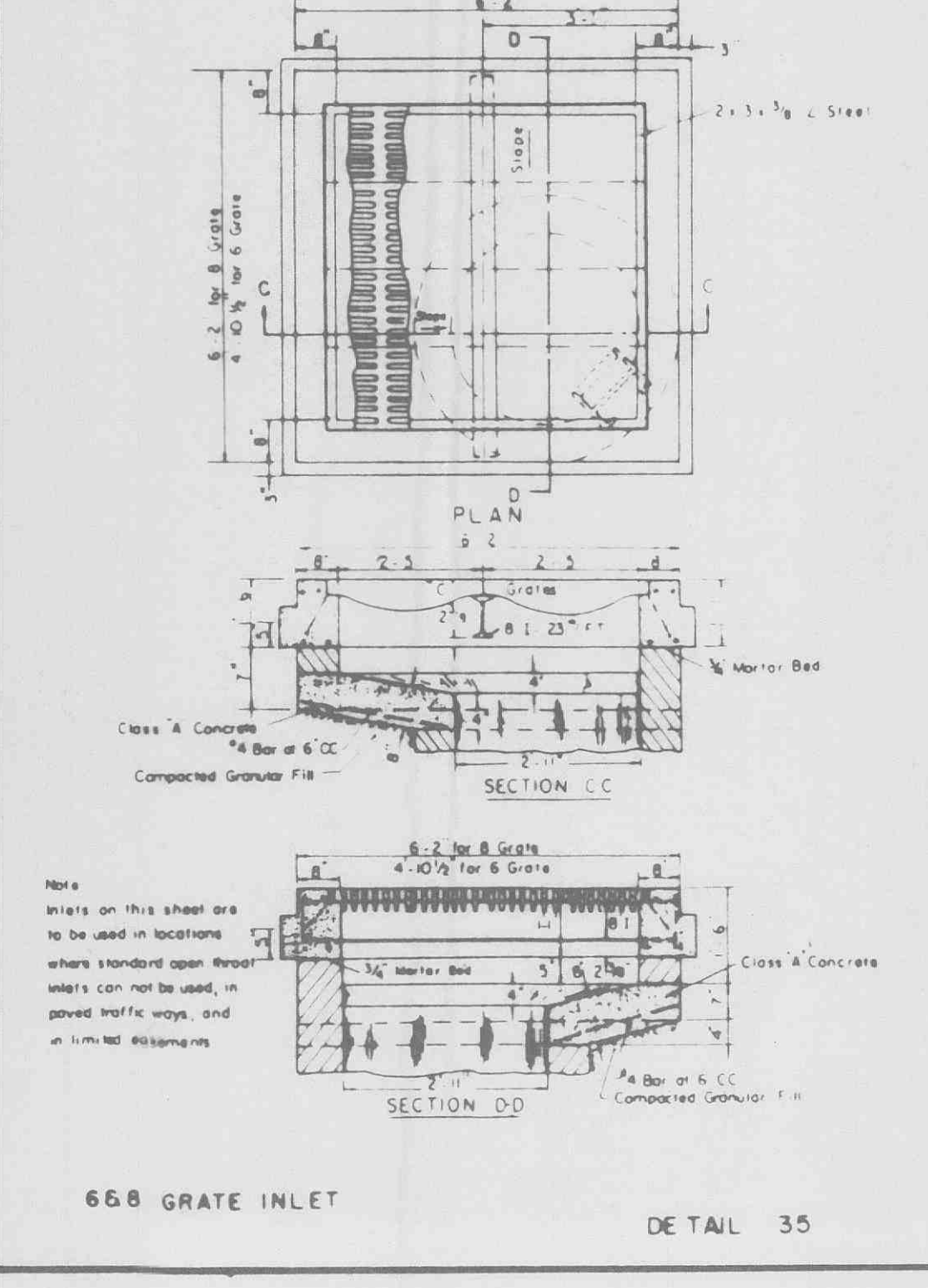
2 GRATE INLET DETAIL 32



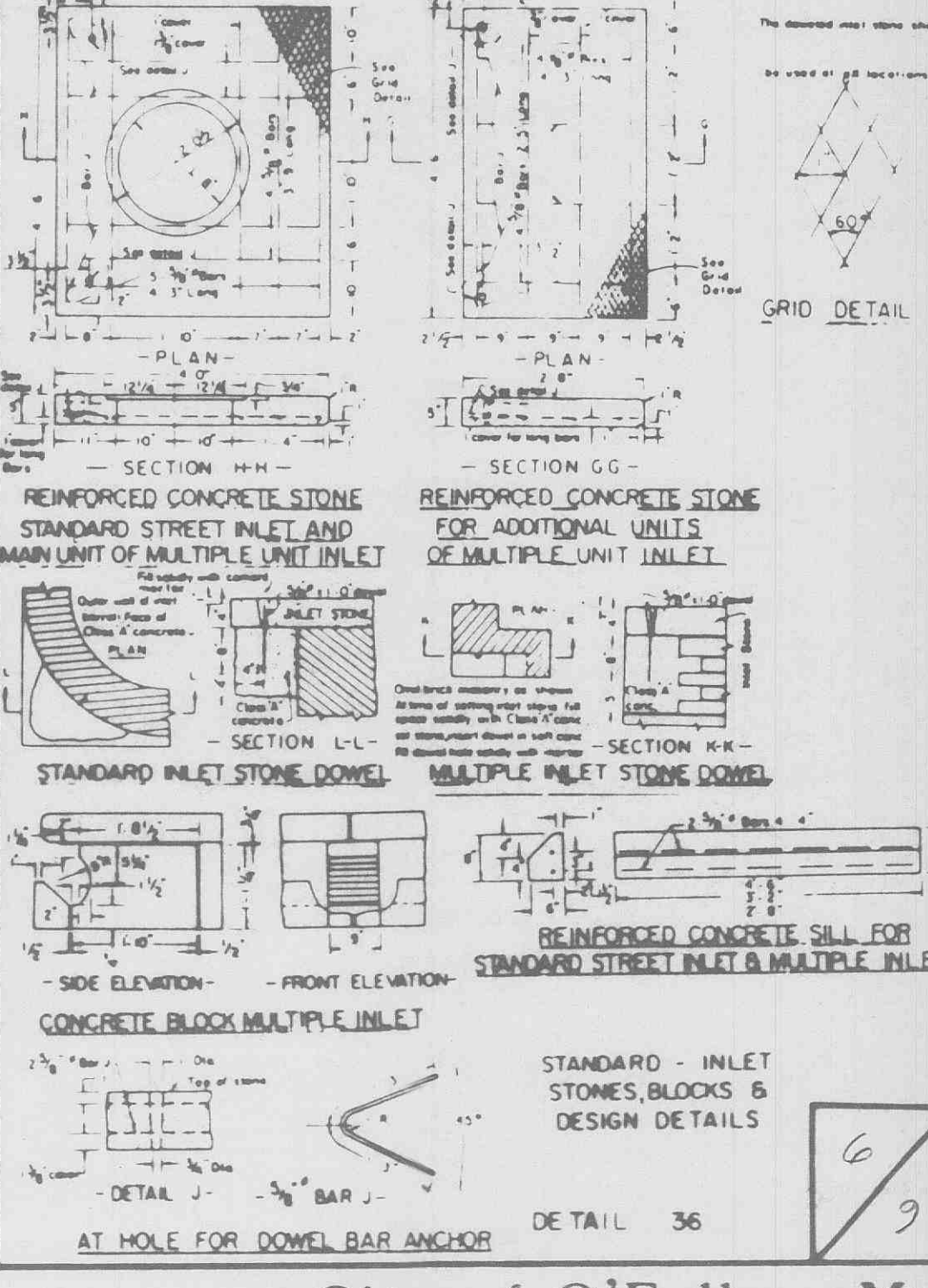
2 GRATE INLET WITH SIDE INTAKE UNIT DETAIL 33



3/4 GRATE INLET DETAIL 34



6/8 GRATE INLET DETAIL 35



REINFORCED CONCRETE STONE STANDARD STREET INLET AND MAIN UNIT OF MULTIPLE UNIT INLET DETAIL 36