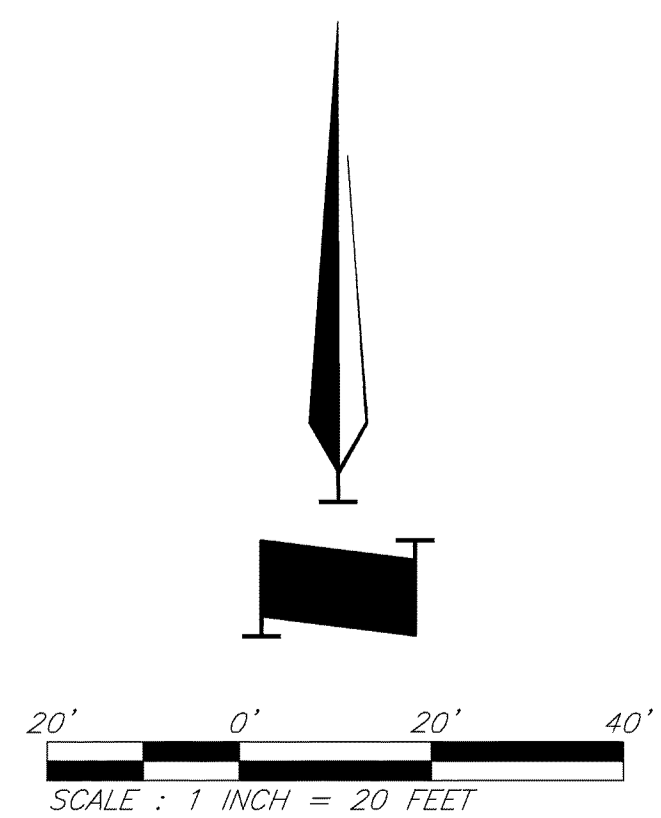


| REV | DATE      | DESCRIPTION   |
|-----|-----------|---------------|
| 1   | 3/25/2016 | City Comments |

**LEGEND**

- Heavy Duty Concrete  
See Details
- Asphalt Pavement  
See Details
- Proposed Sidewalk  
See Details
- Proposed Fence  
See Details
- Sod



**DIMENSION PLAN**

SHEET NUMBER  
**C4.1**