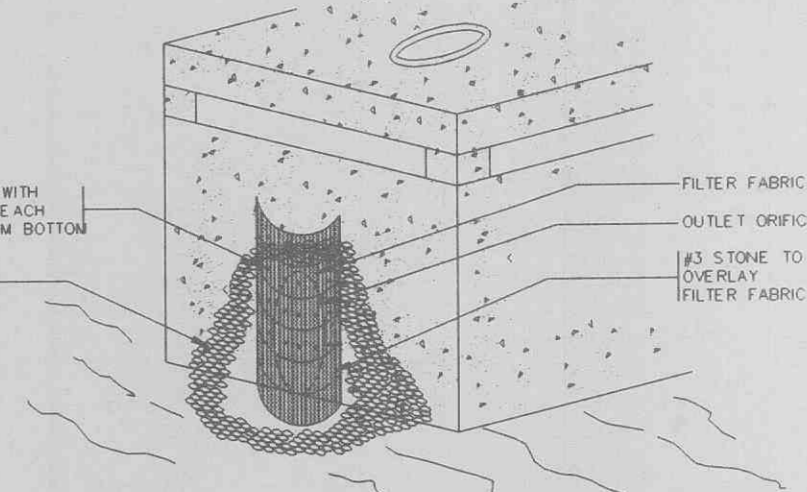
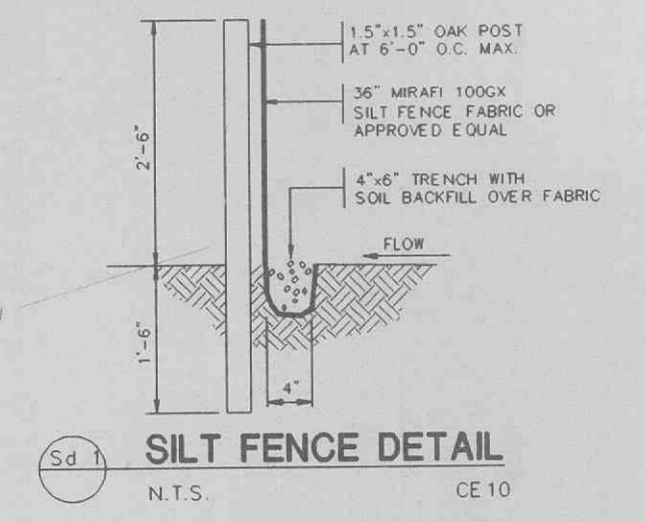


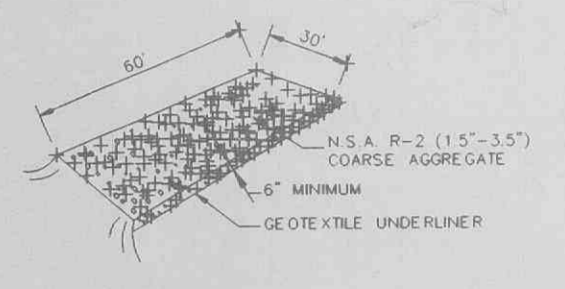
TEMPORARY SEDIMENT TRAP AT ALL INLET STRUCTURES
N.T.S. CE-09



TEMPORARY EROSION CONTROL AT OUTLET STRUCTURE
NO SCALE CE-05



SILT FENCE DETAIL
N.T.S. CE-10



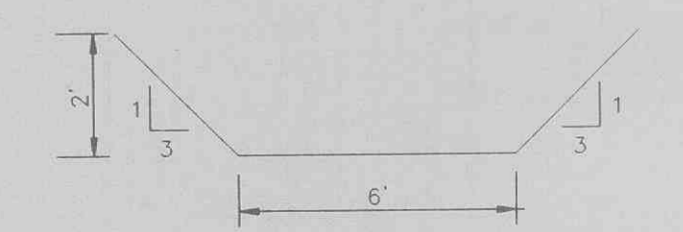
CONSTRUCTION EXIT TEMPORARY
N.T.S. CE-12

SEDMENT AND EROSION CONTROL NOTES

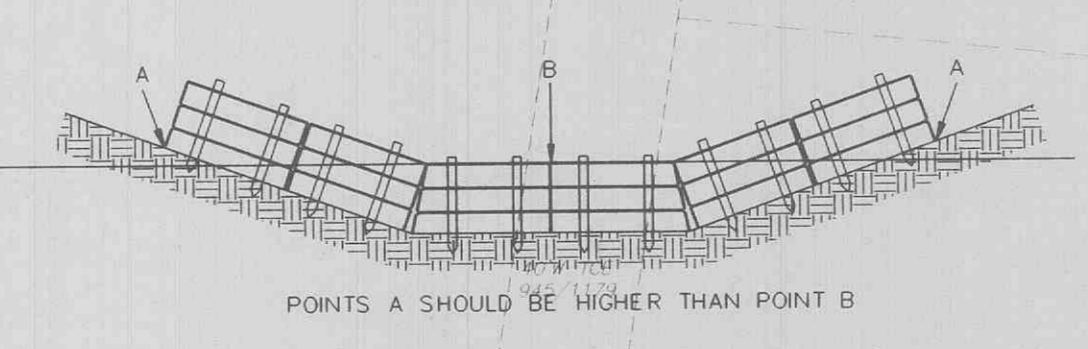
- CONTRACTOR IS TO ADHERE TO CITY OF ST. LOUIS, AND ANY OTHER GOVERNING AUTHORITIES FOR EROSION AND SEDIMENT CONTROL REGULATIONS.
- SEDIMENT AND EROSION CONTROL FACILITIES, STORM DRAINAGE FACILITIES AND DETENTION BASINS SHALL BE INSTALLED PRIOR TO ANY OTHER CONSTRUCTION.
- EROSION CONTROL MEASURES SHALL BE INSPECTED WEEKLY AND AFTER EACH RAINFALL AND REPLACE AS NECESSARY.
- SEDIMENT AND EROSION CONTROL MEASURES SHALL NOT BE REMOVED UNTIL ALL CONSTRUCTION IS COMPLETE AND UNTIL A PERMANENT GROUND COVER HAS BEEN ESTABLISHED.
- ALL OPEN DRAINAGE SWALES SHALL BE GRASSED AND RIPRAP SHALL BE PLACED AS REQUIRED TO CONTROL EROSION.
- ALL SLOPES 2:1 SHALL BE SEEDED WITH CROWN VETCH. SEE GRADING PLAN FOR LIMITS OF SLOPES. ALL REMAINING EXCAVATED AREAS SHALL BE SEEDED PLANS SHOW A 20' BUFFER OF SEEDING OFF PROPERTY LINE FOR DISTURBED AREAS DUE TO GRADING.
- SILT FENCES SHALL BE LOCATED ON SITE TO PREVENT SEDIMENT AND EROSION FROM LEAVING PROPERTY'S DETENTION AREA.
- SLOPE ENGINEER SHALL CERTIFY THAT ALL FILL AREAS ARE TO A MINIMUM COMPACTION PER SPECIFICATION AS NOTED ON PLANS.
- ADDITIONAL EROSION CONTROL DEVICES SHALL BE USED AS REQUIRED.
- SILT FENCE SHALL BE CLEANED OR REPLACED WHEN SILT BUILDS UP TO WITHIN ONE FOOT OF TOP OF SILT FENCE.
- MINIMUM EMBANKMENT SLOPES TO BE AS FOLLOWS:
CUT AREAS - 2:1 FILL AREAS - 2:1
3:1 SLOPES IN DETENTION AREA
- DURING CONSTRUCTION AND AFTER CONSTRUCTION IS COMPLETE, DETENTION PONDS AND DETENTION POND OUTLET STRUCTURES SHALL BE KEPT CLEANED OF ALL DEBRIS AND EXCESS SEDIMENT. BOTTOM OF PONDS SHALL BE BROUGHT TO ELEVATION AND SHAPE AS SHOWN ON SITE GRADING PLAN.
- ALL GRADED AREAS SHALL BE STABILIZED IMMEDIATELY WITH A TEMPORARY FAST-GROWING COVER AND/OR MULCH.
- ALL SURFACES MUST BE STABLE AND NON-EROSIVE WITHIN THIRTY (30) WORKING DAYS AFTER ESTABLISHMENT OF THE SUB-GRADES.
- TOPSOIL SHALL BE REDISTRIBUTED, SEED & MULCH APPLIED AND WATERED UNTIL A HEALTHY STAND OF GRASS IS OBTAINED.
- SEEDS FOR GRASSED AREAS SHALL BE TALL FESCUE GRASS AT 10 LBS/1000 SF WITH THE FOLLOWING:
TEMPORARY
FERTILIZER - (10/10/10) 300-400 LBS./AC.
MULCH (WHEAT STRAW) 2-1/2 T./AC.
PERMANENT
FERTILIZER - (6/12/12) 300-400 LBS./AC.
MULCH (WHEAT STRAW) 2-1/2 T./AC.
- SEEDS FOR ALL SLOPE AREAS 2:1 AND GREATER SHALL BE OVERSEEDDED WITH FESCUE, RYE MIXTURE AT 10 LBS/1000 SF INCLUDING CROWN VETCH 2 LBS/1000 SF OF AREA (TYPICAL).

CONSTRUCTION SEQUENCE

- CONSTRUCTION OF TEMPORARY EXITS A & B
- INSTALLATION OF SILT FENCE ALONG HIGHWAY RIGHT-OF-WAY.
- CONSTRUCTION OF EROSION CONTROL DEVICES ASSOCIATED WITH EXISTING STRUCTURES WITHIN HIGHWAY RIGHT-OF-WAY.
- EXCAVATION OF SEDIMENT BASINS/DETENTION POND.
- INSTALLATION OF OUTLETS TO SEDIMENT BASINS/DETENTION POND.
- CONSTRUCTION OF TEMPORARY DITCH A-A
- INSTALLATION OF TEMPORARY PIPE AT TEMPORARY DITCH A-A
- BEGIN MASS GRADING.
- CONSTRUCTION OF PERMANENT DITCHES AND CULVERTS OF THE PROJECT PER THE GRADING PLAN.
- CONSTRUCTION OF EROSION CONTROL MEASURES ASSOCIATED WITH DITCHES, CULVERTS, AND GRADING.
- STABILIZE DITCHES/SLOPES AS CALLED FOR.
- INSTALLATION OF ON-SITE DRAINAGE PIPES WITH EROSION CONTROL MEASURES.
- STABILIZE ALL AREAS NOT BEING PAVED.
- REMOVE SEDIMENT FROM BASINS AND CLEAN ALL STRUCTURES OF ANY SEDIMENT AND DEBRIS.

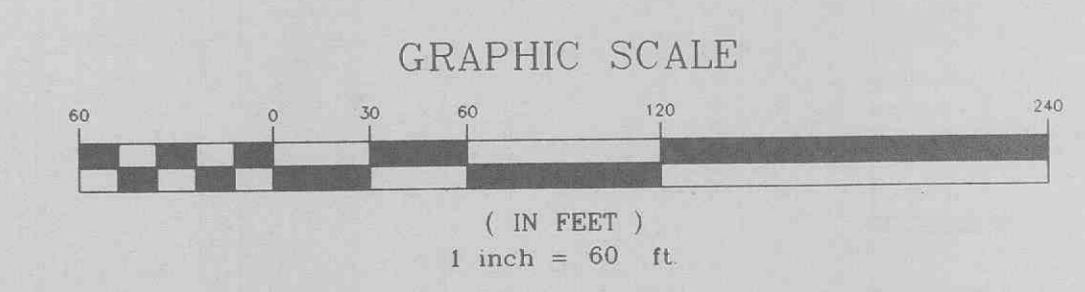


TEMP. DITCH A-A
N.T.S.



STRAW BALE PLACEMENT IN DRAINAGE WAY
N.T.S. CE-13

EROSION CONTROL PLAN



WOLVERTON & ASSOCIATES, INC.
6600 OAKROCK PARKWAY / SUITE 100 / NORCROSS, GEORGIA 30083
770 447-9899 PHONE
770 447-9070 FAX



PROPOSED COMMERCIAL DEVELOPMENT
OF FALLON, MISSOURI
THF-ONTARIO DEVELOPMENT, L.L.C.
ST. LOUIS, MISSOURI

DRAWN
MHE
CHECKED
JGW
DATE
04/22/97
SCALE
1" = 60'
JOB NO.
96-137
SHEET

C-4
OF SHEETS