

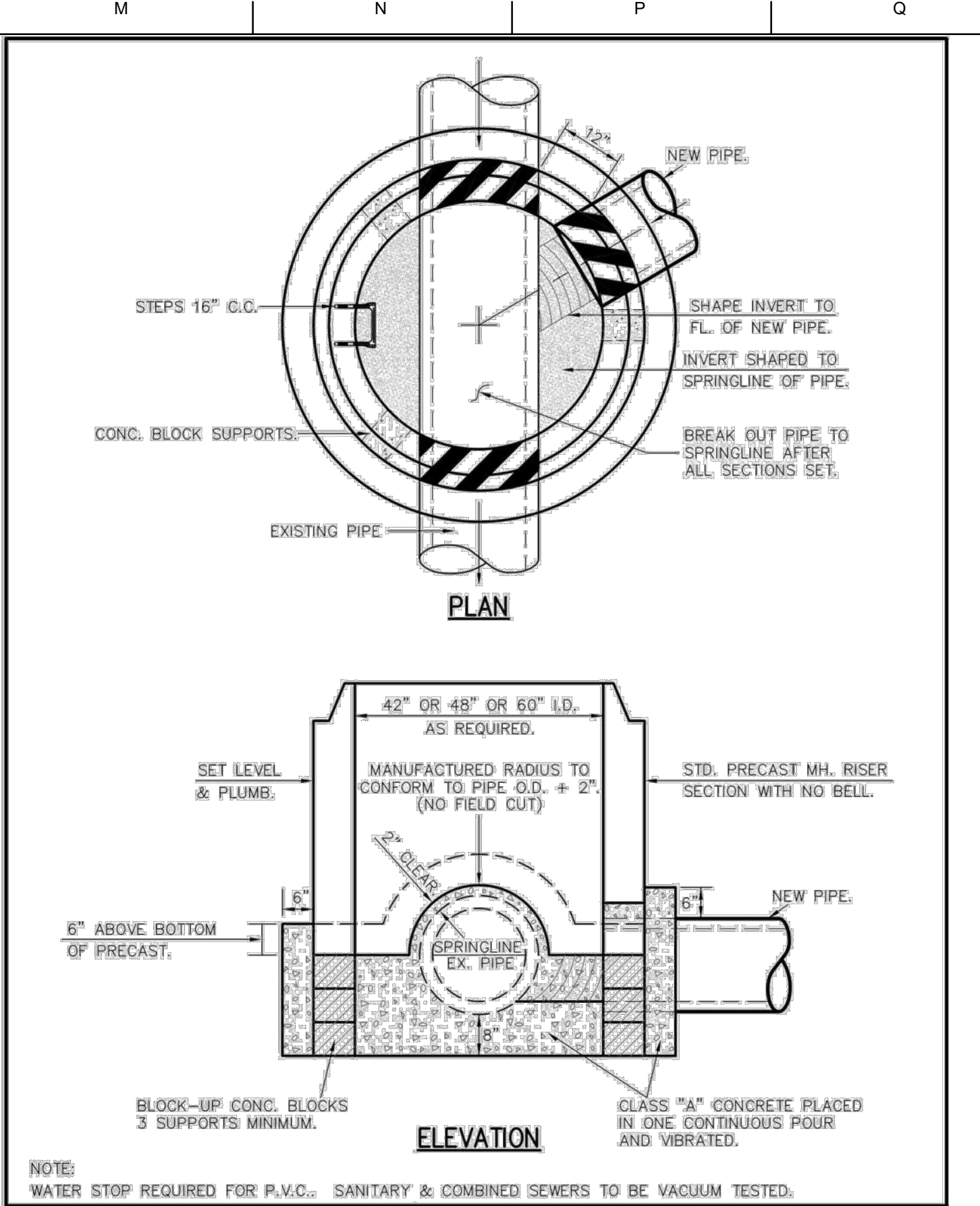
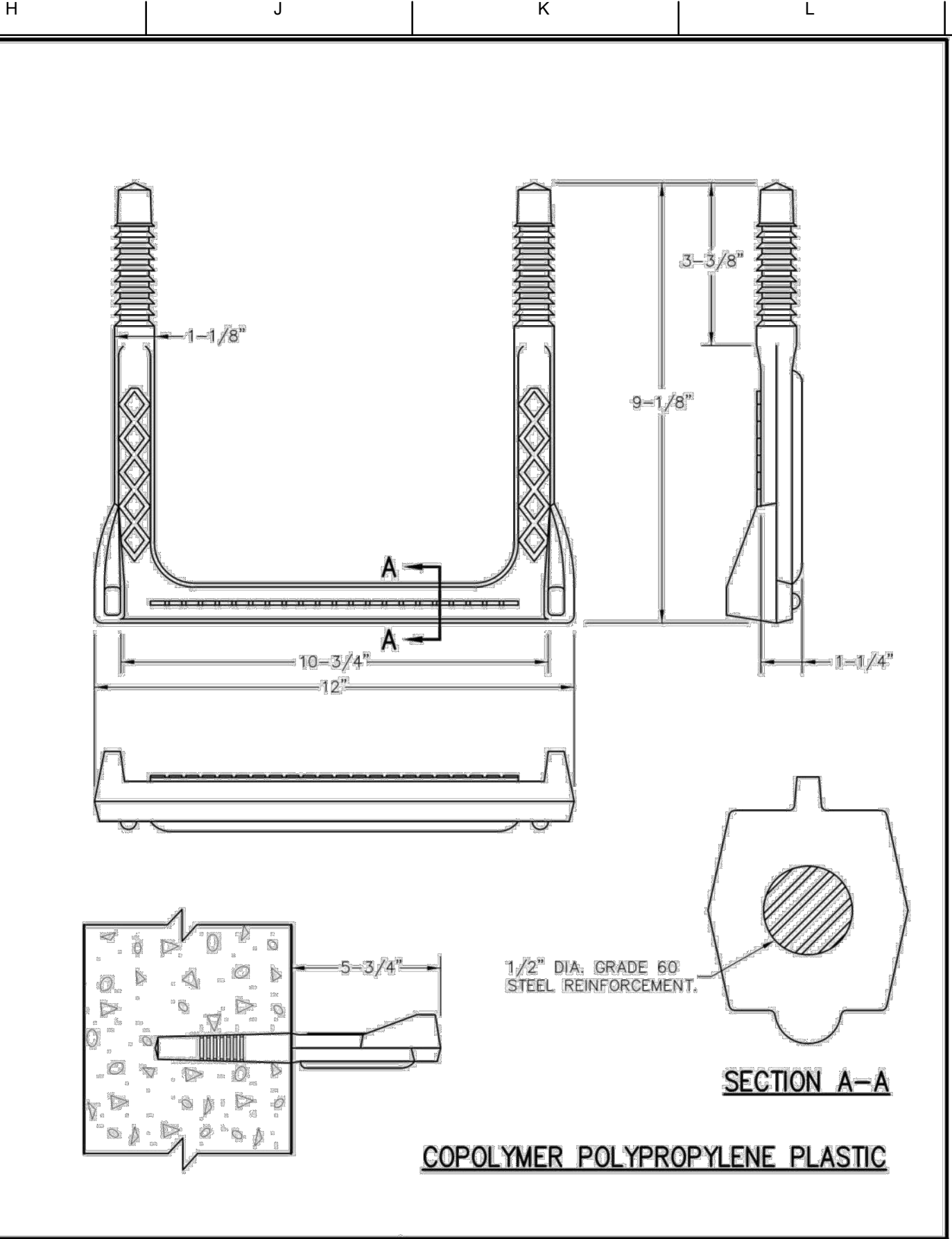
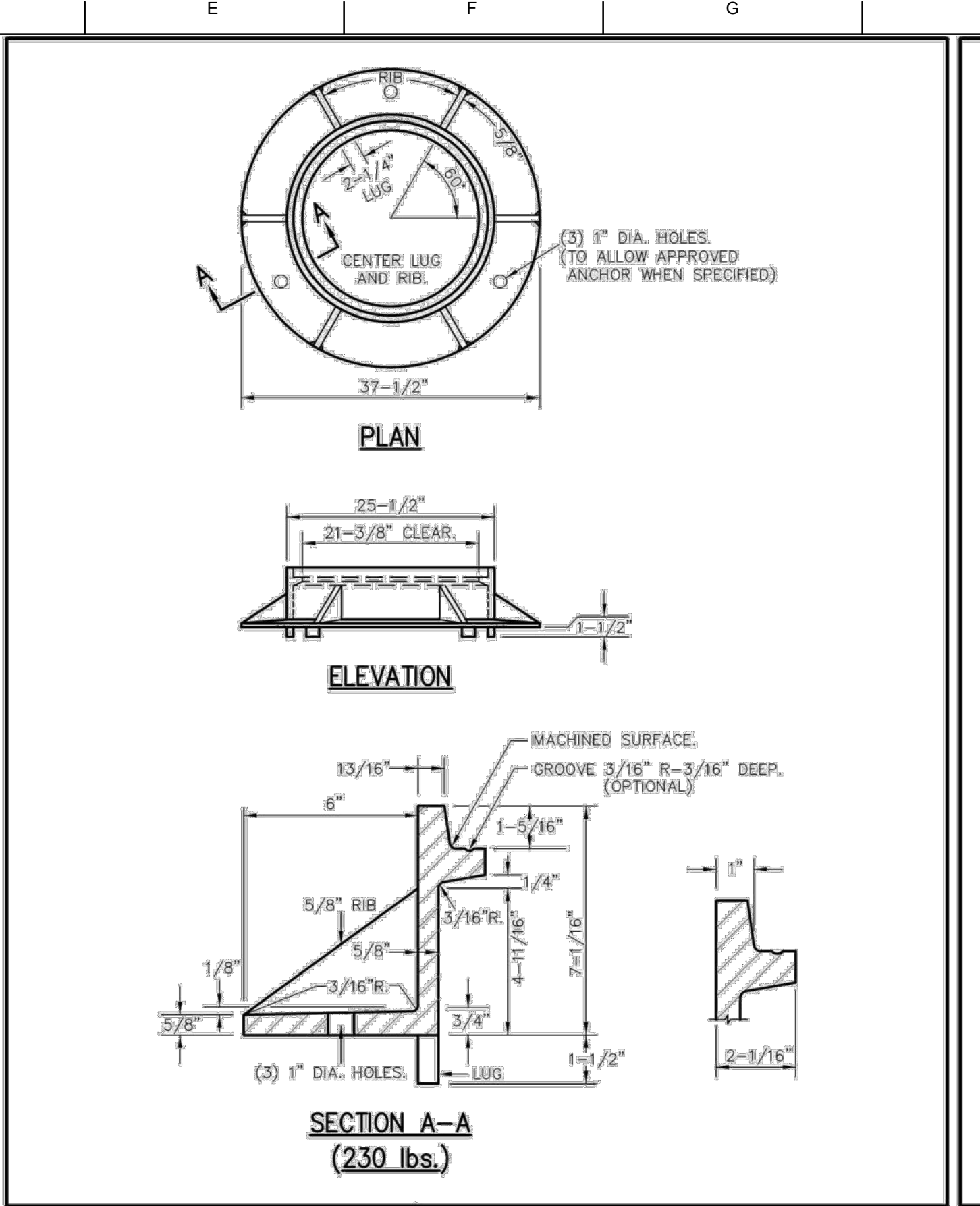
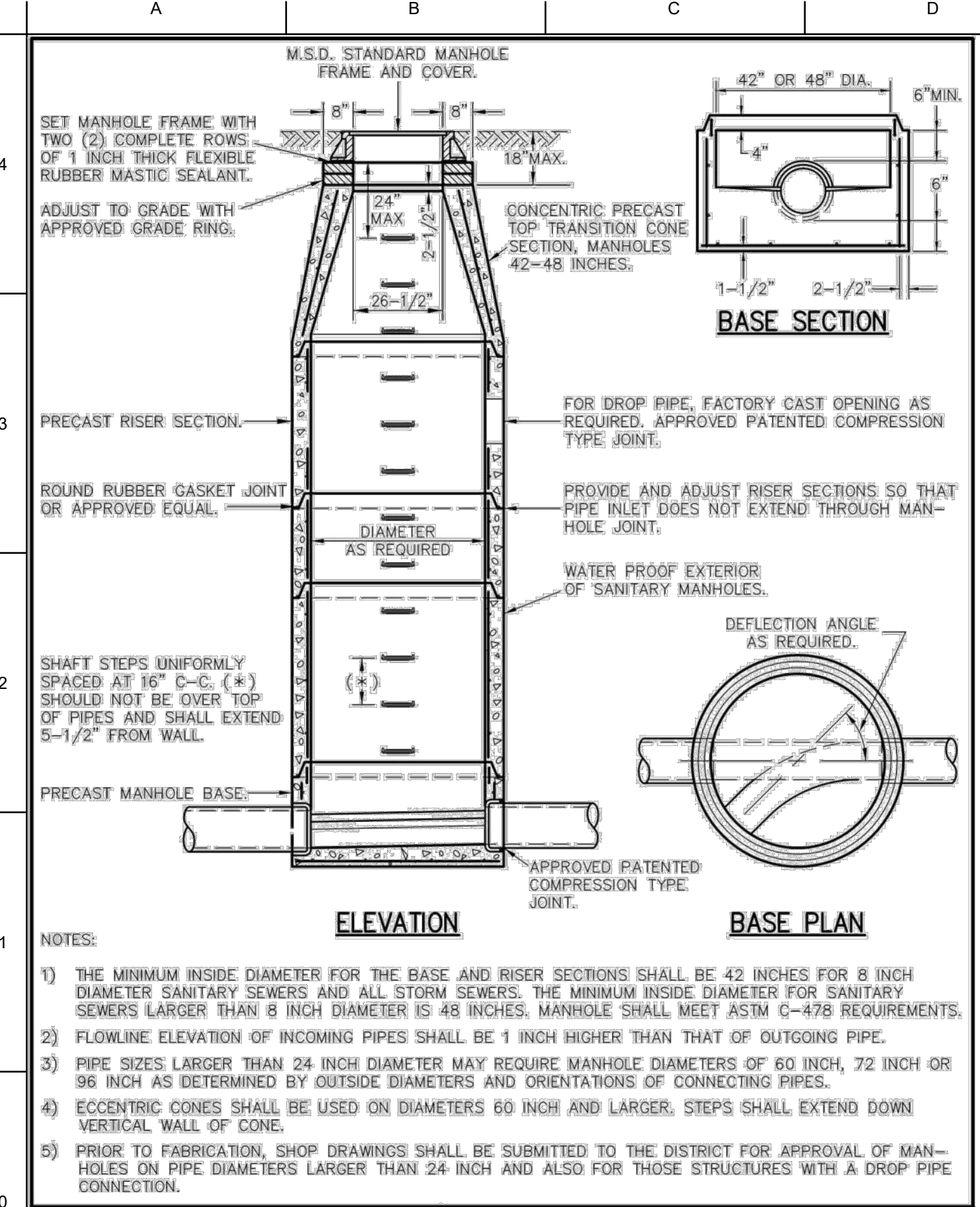
OWNER
CITY OF O'FALLON
100 NORTH MAIN STREET
O'FALLON, MO 63366
636.379.5590

PROJECT TEAM
CIVIL ENGINEER
PREMIER DESIGN GROUP
100 MIDLAND PARK DRIVE
WENTZVILLE, MO 63385
314.925.7444

MAINTENANCE CONSULTANT
HDR ENGINEERING, INC.
17725 KATY FREEWAY SUITE 102
HOUSTON, TX 77044
813.360.2700

STRUCTURAL ENGINEER
METTEMAYER ENGINEERING
2225 W CHESTERFIELD BLVD., SUITE 300
SPRINGFIELD, MO 65807
417.890.8032

MFP ENGINEER
HENDERSON ENGINEERS, INC.
8345 LENEAXA DR., #300
LENEAXA, KS 66214
913.742.5000



METROPOLITAN ST. LOUIS SEWER DISTRICT Standard Details of Sewer Construction

METROPOLITAN ST. LOUIS SEWER DISTRICT Standard Details of Sewer Construction

METROPOLITAN ST. LOUIS SEWER DISTRICT Standard Details of Sewer Construction

METROPOLITAN ST. LOUIS SEWER DISTRICT Standard Details of Sewer Construction

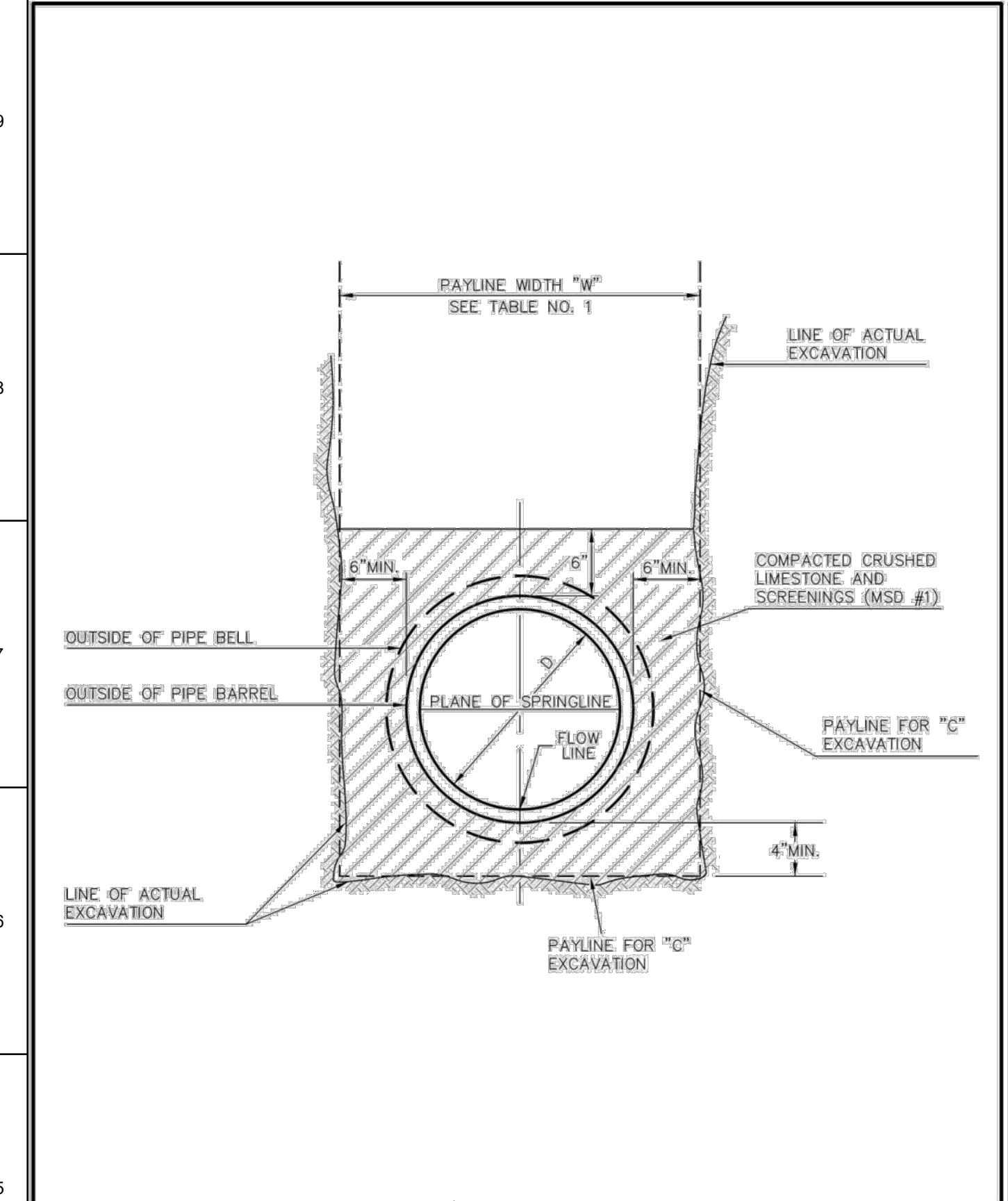
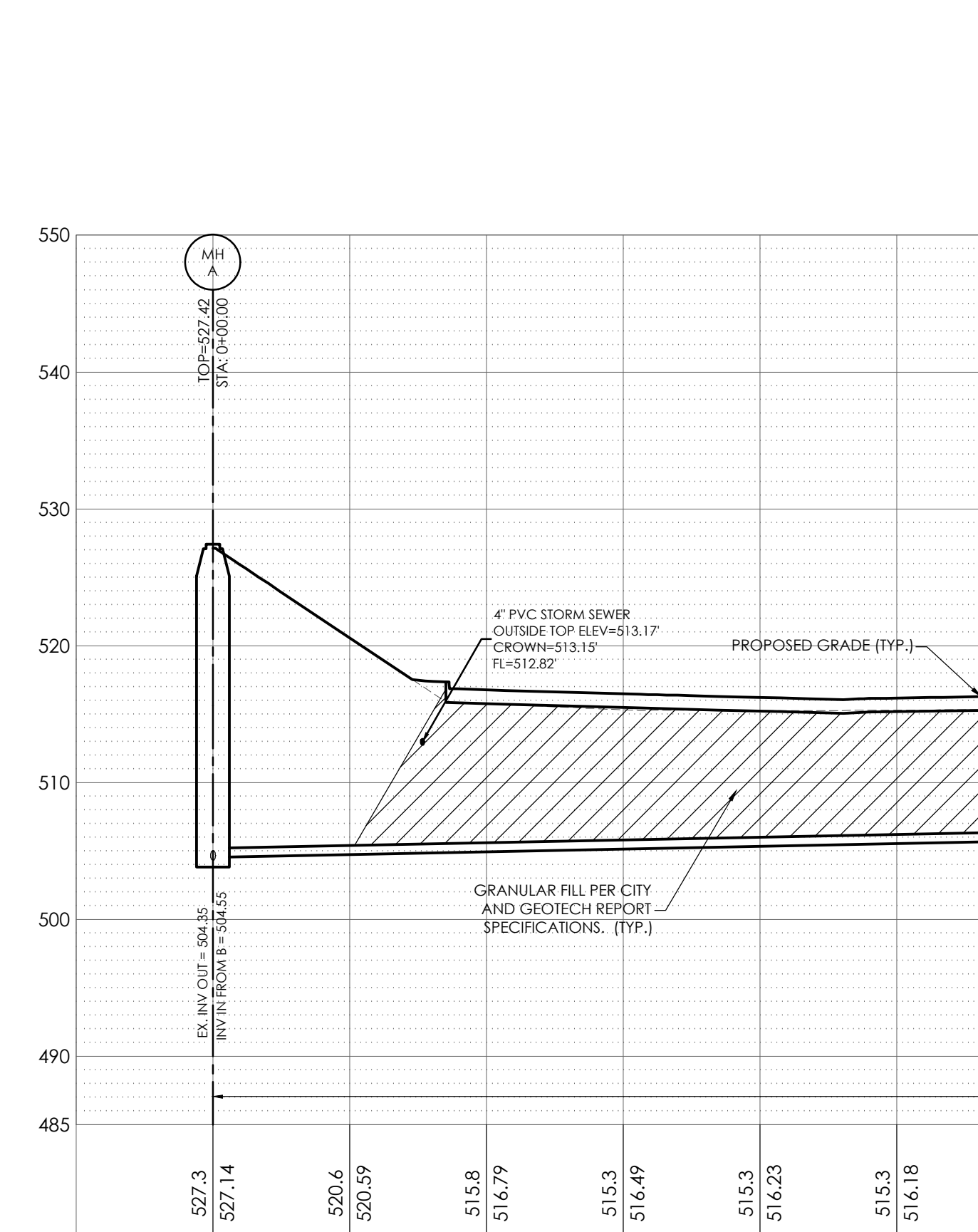


TABLE 1 PAYLINE WIDTHS OF TRENCH AND PAY-QUANTITIES OF CONCRETE

INSIDE DIAMETER OF PIPE (INCHES)	ROUND PIPE		HORIZONTAL ELLIPTICAL PIPE	
	"W" PAYLINE WIDTH OF TRENCH (INCHES)	"W" PAYLINE WIDTH OF TRENCH (FEET)	"W" PAYLINE WIDTH OF TRENCH (INCHES)	"W" PAYLINE WIDTH OF TRENCH (FEET)
4	30	2.50	30	2.50
6	30	2.50	30	2.50
8	30	2.50	30	2.50
10	30	2.50	30	2.50
12	30	2.50	30	2.50
15	36	3.00	36	3.00
18	36	3.00	36	3.00
21	39	3.25	39	3.25
24	42	3.50	42	3.50
27	45	3.75	45	3.75
30	48	4.00	48	4.00
33	53	4.42	53	4.42
36	56	4.67	56	4.67
39	63	5.25	63	5.25
42	63	5.25	63	5.25
48	70	5.83	70	5.83
54	77	6.42	77	6.42
60	84	7.00	84	7.00
66	91	7.58	91	7.58
72	98	8.17	98	8.17
78	105	8.75	105	8.75
84	112	9.33	112	9.33
90	119	9.92	119	9.92
96	126	10.50	126	10.50
102	133	11.08	133	11.08
108	140	11.67	140	11.67
114	147	12.25	147	12.25
120	154	12.83	154	12.83
126	161	13.42	161	13.42
132	168	14.00	168	14.00
138	175	14.58	175	14.58
144	182	15.17	182	15.17

METROPOLITAN ST. LOUIS SEWER DISTRICT Standard Details of Sewer Construction

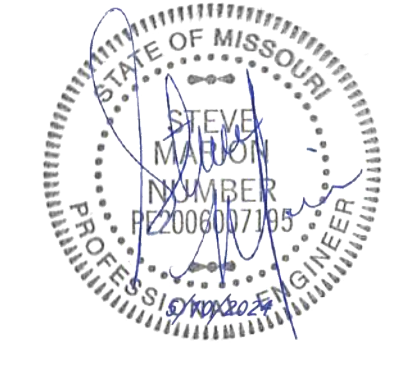


REVISIONS

NO.	DESCRIPTION	DATE
1	CITY COMMENTS	3/26/2024
3	CITY COMMENTS	5/9/2024

PROJECT NO. 2207920 DRAWN BY: A. JONES
DATE: 02/02/2024 REVIEWED BY: M. FOGARTY

PROFESSIONAL SEAL



ENGINEER'S AUTHENTICATION
The responsibility for performance of engineering services on this project is hereby assumed by the seal of the engineer authorized by the seal, signature, and date hereunder attached. Responsibility is disclaimed for all other engineering plans rendered in this project and specifically requires retention of this seal.

STEVEN D. MARSTON P.E.
PROFESSIONAL ENGINEER
P.E. 220007195

PROJECT TITLE
O'FALLON PUBLIC WORKS FACILITY

PROJECT ADDRESS:
1101 OLD E TERRA LANE
O'FALLON, MO 63366

SANITARY SEWER PROFILE

C-600



UNDERGROUND UTILITIES AND OSHA SAFETY NOTE:
Underground utilities and structures have been plotted from available information and therefore, their location must be considered approximate only. It is the responsibility of the individual contractor to notify the utility companies before actual construction. All O.S.H.A. rules and regulations established for the type of construction required by these plans shall be strictly followed (e.g. trenching, shoring, etc.).