

OWNER
CITY OF O'FALLON
100 NORTH MAIN STREET
O'FALLON, MO 63366
636.379.5590

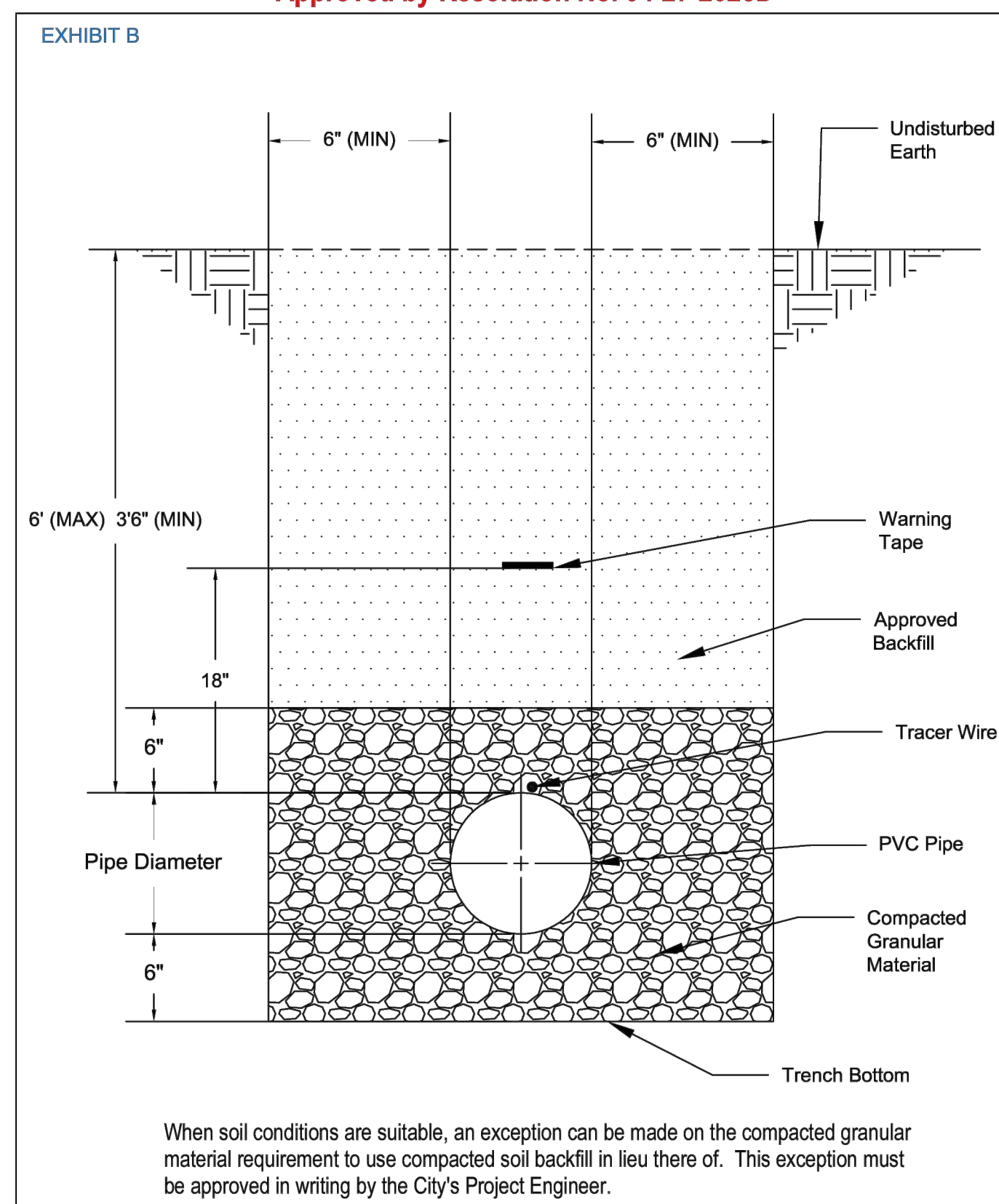
PROJECT TEAM
CIVIL ENGINEER
PREMIER DESIGN GROUP
100 MIDLAND PARK DRIVE
WENTZVILLE, MO 63385
314.925.7444

MAINTENANCE CONSULTANT
HDR ENGINEERING, INC
17725 KATY FREEWAY SUITE 102
HOUSTON, TX 77094
813.302.2700

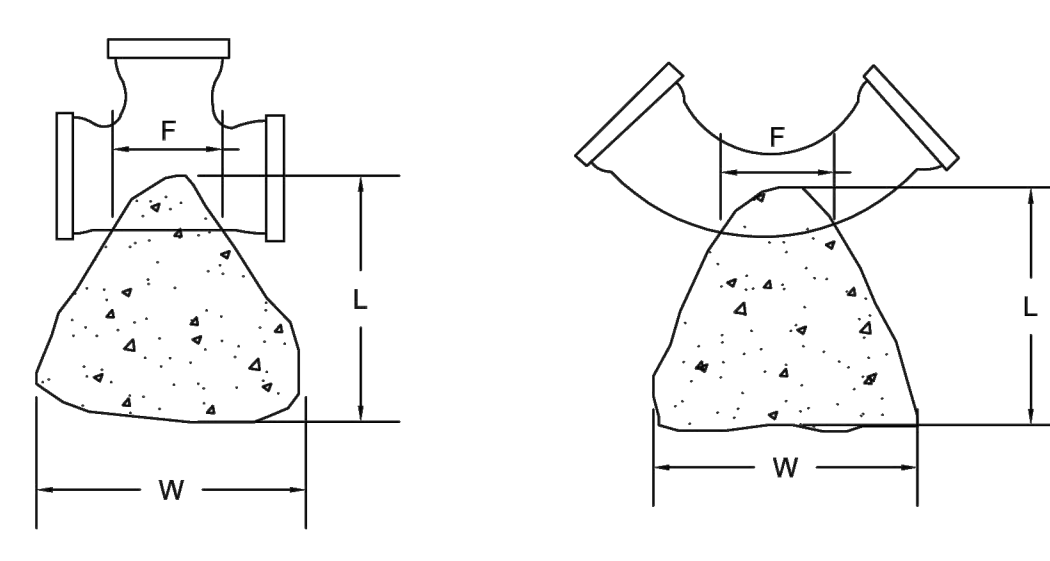
STRUCTURAL ENGINEER
METTEMEYER ENGINEERING
2225 W CHESTERFIELD BLVD., SUITE 300
SPRINGFIELD, MO 65807
417.890.8002

MEP ENGINEER
HENDERSON ENGINEERS, INC.
8345 LENEXA DR., #300
LENEXA, KS 66214
913.742.5000

Approved by Resolution No. 04-27-2023D



When soil conditions are suitable, an exception can be made on the compacted granular material requirement to use compacted soil backfill in lieu thereof. This exception must be approved in writing by the City's Project Engineer.



L = LENGTH OF THRUST BLOCK
W = WIDTH OF THRUST BLOCK
H = HEIGHT OF THRUST BLOCK
F = WIDTH OF THRUST BLOCK

THRUST BLOCK DIMENSIONS (MEASUREMENTS IN INCHES)

Pipe Diameter	ALL FITTINGS		TEES & TAPS		90 DEGREE		45 DEGREE		22.5 DEGREE		11.25 DEGREE	
	F	L	W	H	W	H	W	H	W	H	W	H
6	6	16	36	18	48	24	26	24	26	12	13	12
8	8	20	45	24	54	36	45	24	30	18	24	12
10	10	20	56	30	82	36	45	36	36	24	24	18
12	12	24	68	36	100	42	64	36	40	30	24	24

- NOTES:
1. ALL THRUST BLOCKS ARE TO BE POURED AGAINST VIRGIN SOIL.
2. THRUST BLOCKS FOR FITTING EXCEEDING 12" SHALL BE DESIGNED BY A PROFESSIONAL ENGINEER REGISTERED IN THE STATE OF MISSOURI.

TYPICAL TRENCH - PVC

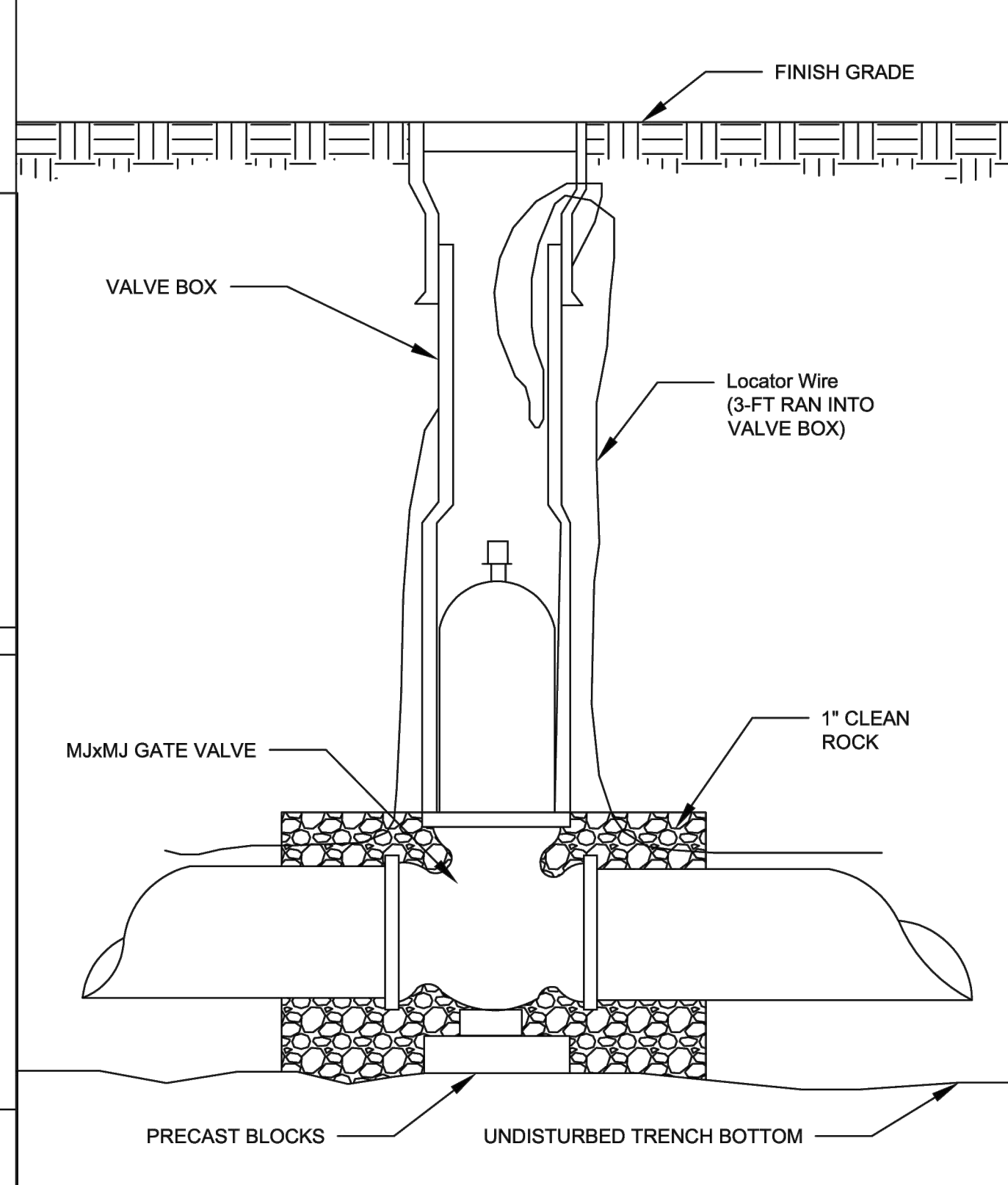
Detail A.1

Originally Drafted: 10/16/19
Revision Date:
Designed By: KMH
Drafted By: KMH

THRUST BLOCKING

Detail D.1

Originally Drafted: 10/18/19
Revision Date:
Designed By: KMH
Drafted By: KMH



GATE VALVE

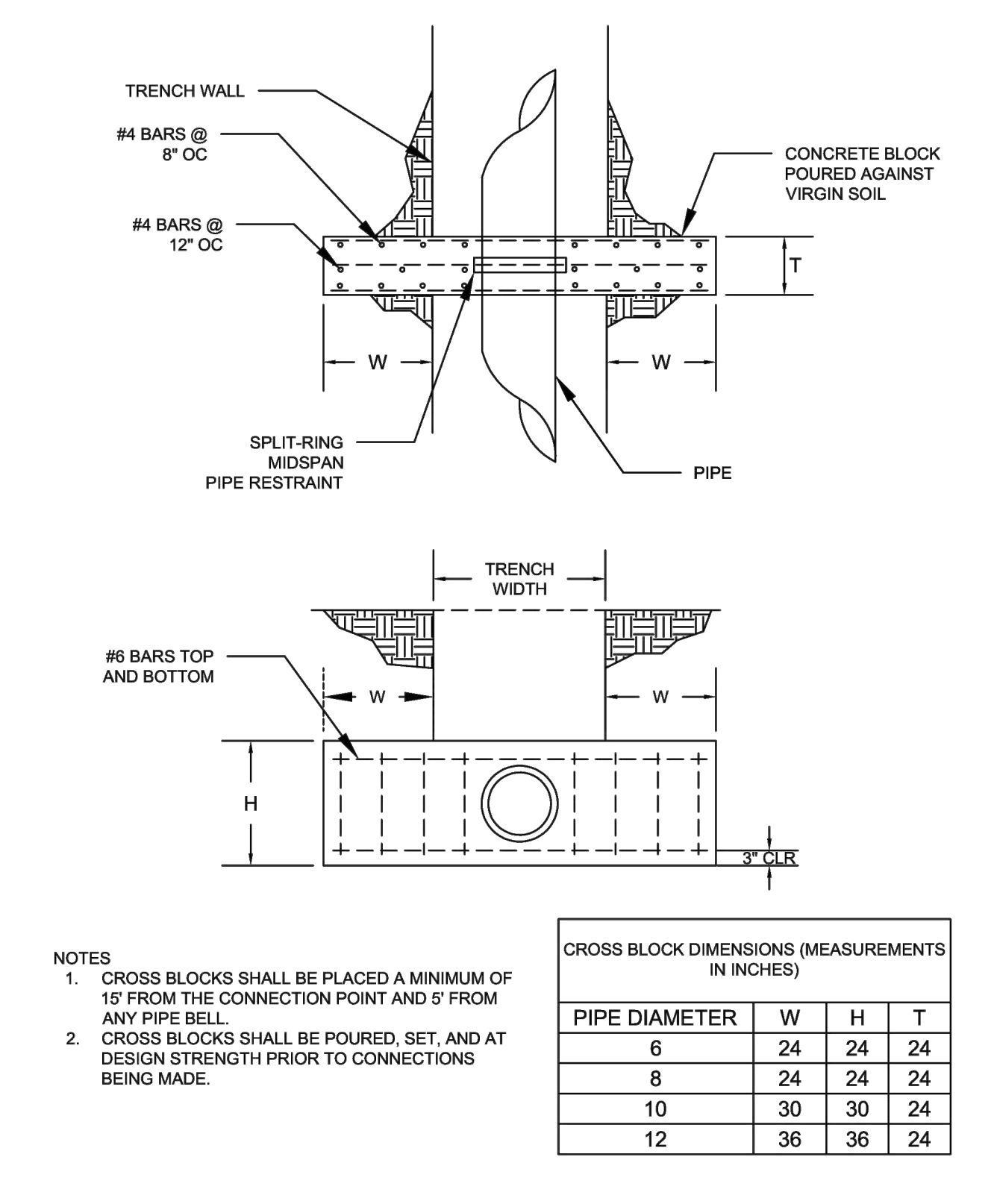
Detail C.1

Originally Drafted: 10/18/19
Revision Date:
Designed By: KMH
Drafted By: KMH

CROSS BLOCK

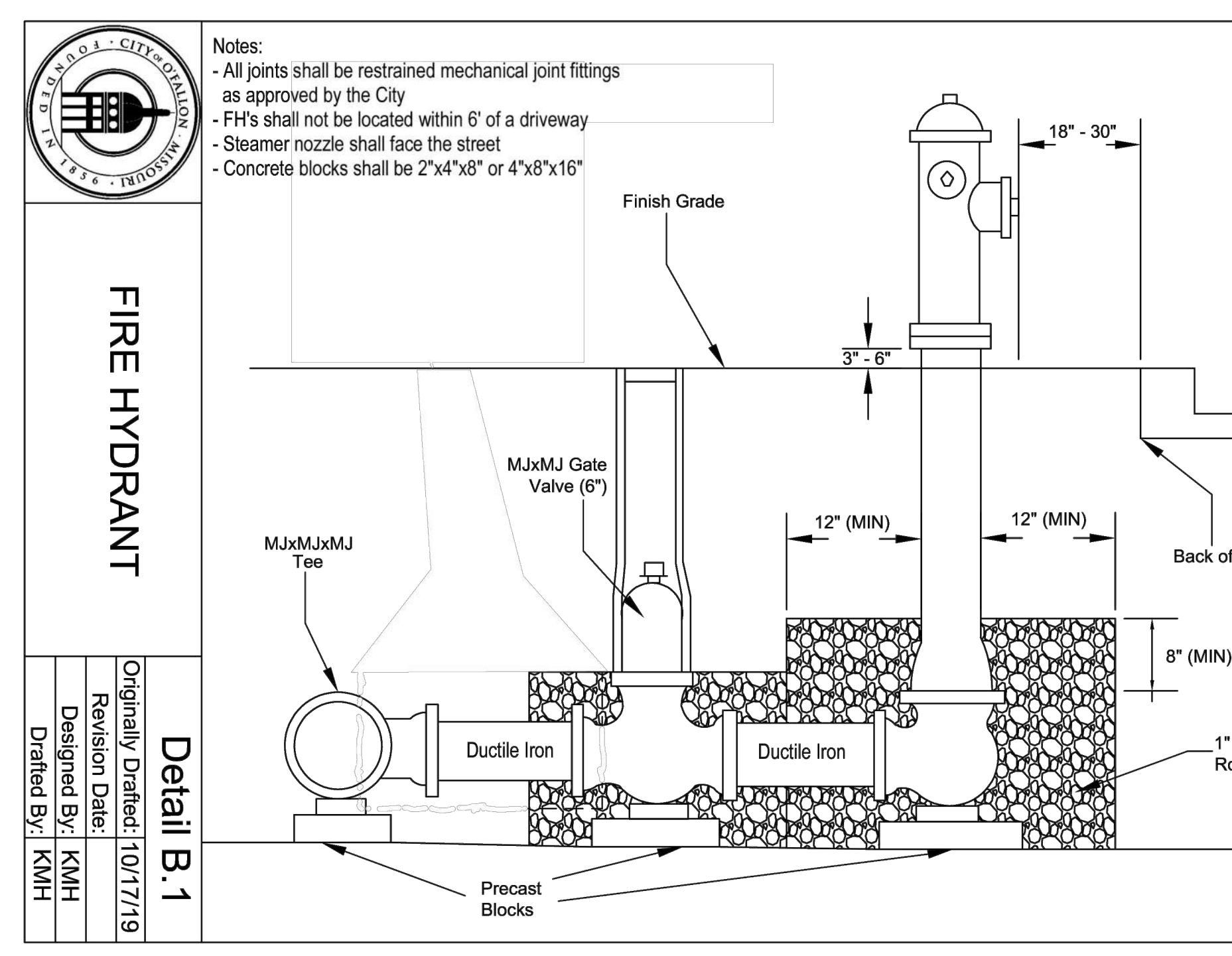
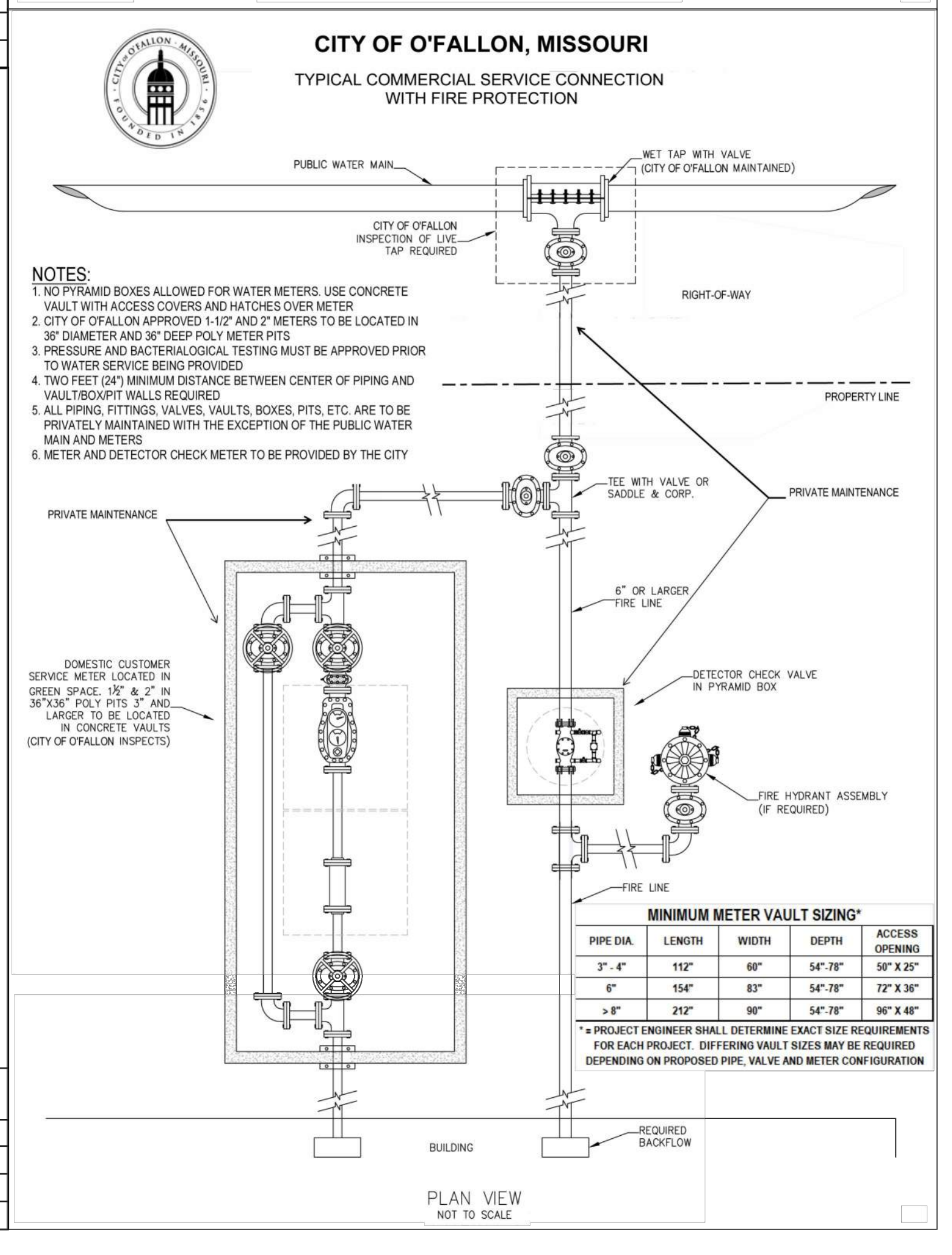
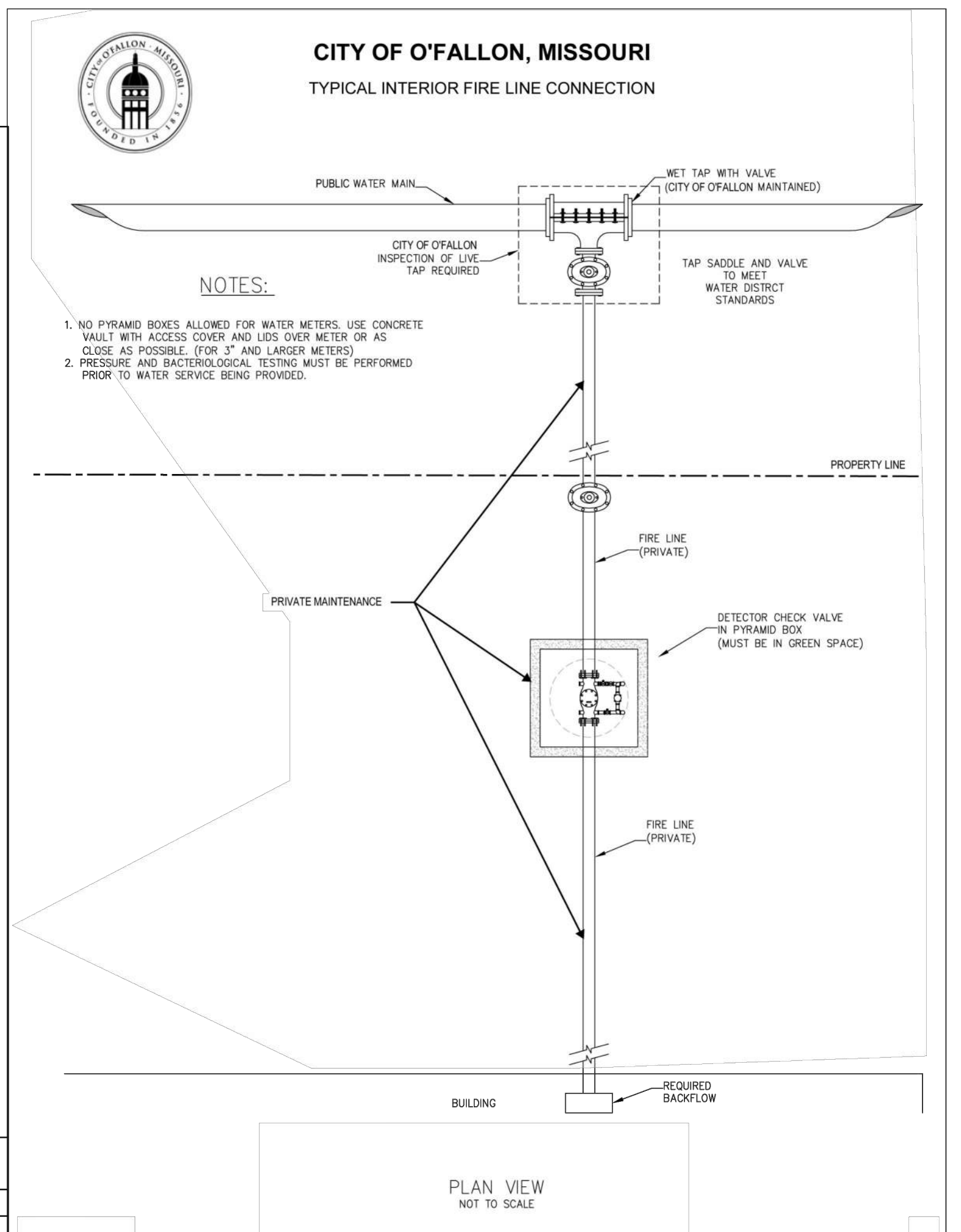
Detail D.2

Originally Drafted: 10/23/19
Revision Date:
Designed By: KMH
Drafted By: KMH



NOTES:
1. CROSS BLOCKS SHALL BE PLACED A MINIMUM OF 18\"/>

PIPE DIAMETER	W	H	T
6	24	24	24
8	24	24	24
10	30	30	24
12	36	36	24



FIRE HYDRANT

Detail B.1

Originally Drafted: 10/17/19
Revision Date:
Designed By: KMH
Drafted By: KMH

GATE VALVE

Detail C.1

Originally Drafted: 10/18/19
Revision Date:
Designed By: KMH
Drafted By: KMH

- NOTES:
1. NO PYRAMID BOXES ALLOWED FOR WATER METERS. USE CONCRETE VAULT WITH ACCESS COVERS AND HATCHES OVER METER.
2. CITY OF O'FALLON APPROVED 1/10\"/>

- NOTES:
1. NO PYRAMID BOXES ALLOWED FOR WATER METERS. USE CONCRETE VAULT WITH ACCESS COVERS AND HATCHES OVER METER.
2. CITY OF O'FALLON APPROVED 1/10\"/>

MINIMUM METER VAULT SIZING*

PIPE DIA.	LENGTH	WIDTH	DEPTH	ACCESS OPENING
3\"/>				

* PROJECT ENGINEER SHALL DETERMINE EXACT SIZE REQUIREMENTS FOR EACH PROJECT. DIFFERING VAULT SIZES MAY BE REQUIRED DEPENDING ON PROPOSED PIPE, VALVE AND METER CONFIGURATION.

REVISIONS

NO.	DESCRIPTION	DATE

PROJECT NO.: 2207920 DRAWN BY: A. JONES
DATE: 02/02/2024 REVIEWED BY: M. FOGARTY

PROFESSIONAL SEAL

ENGINEER'S AUTHENTICATION
The responsibility for performance of engineering tasks on this project is hereby assumed by the set of plans authorized by the seal, signature, and date hereunder attached. Responsibility is disclaimed for all other engineering plans rendered in this project and specifically requires no other action.

STEVEN D. MARSTON, P.E.
PROFESSIONAL ENGINEER
PE 200007195

PROJECT TITLE
O'FALLON PUBLIC WORKS FACILITY

PROJECT ADDRESS:
1101 OLD E TERRA LANE
O'FALLON, MO 63366

14
13
12
11
10
9
8
7
6
5
4
3
2
1

 UNDERGROUND UTILITIES AND OSHA SAFETY NOTE:
 Underground utilities and structures have been plotted from available information and therefore, their location must be considered approximate only. It is the responsibility of the individual contractors to notify the utility companies before actual construction. All O.S.H.A. rules and regulations established for the type of construction required by these plans shall be strictly followed (ie. trenching, blasting, etc.)