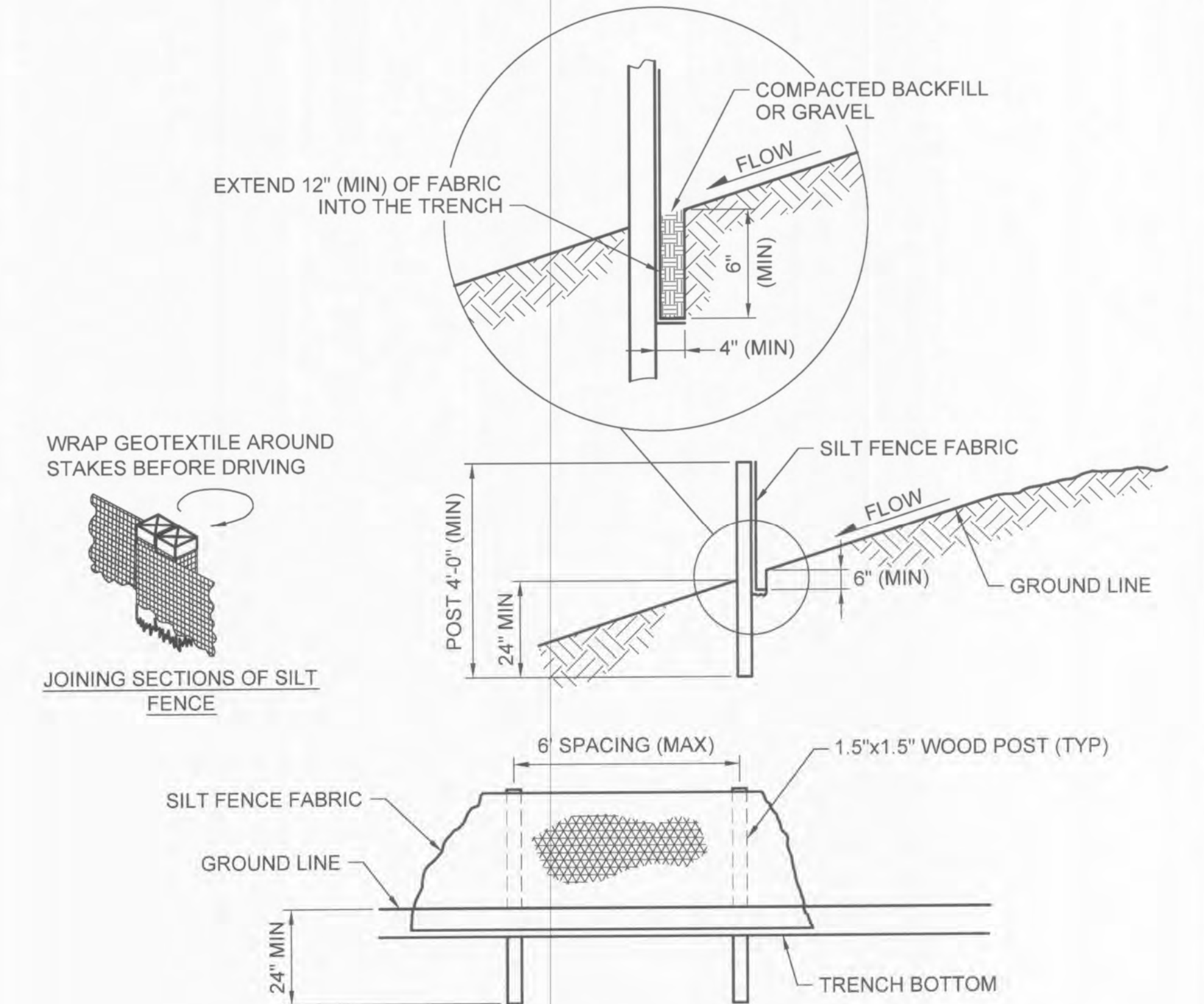
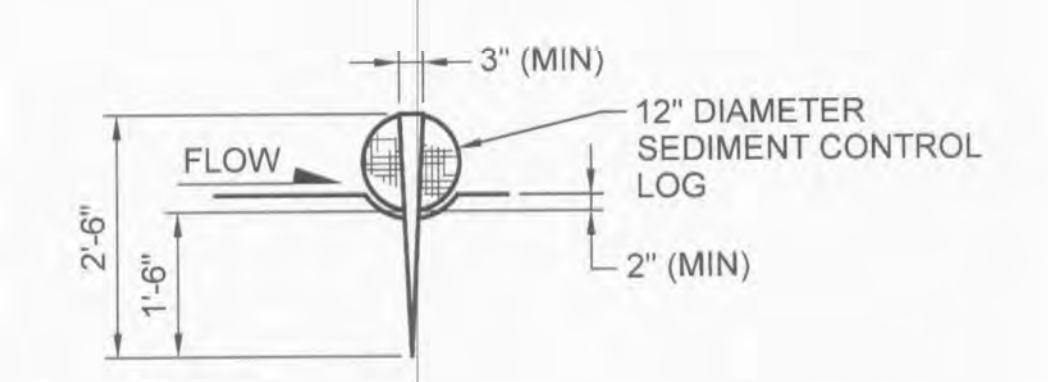
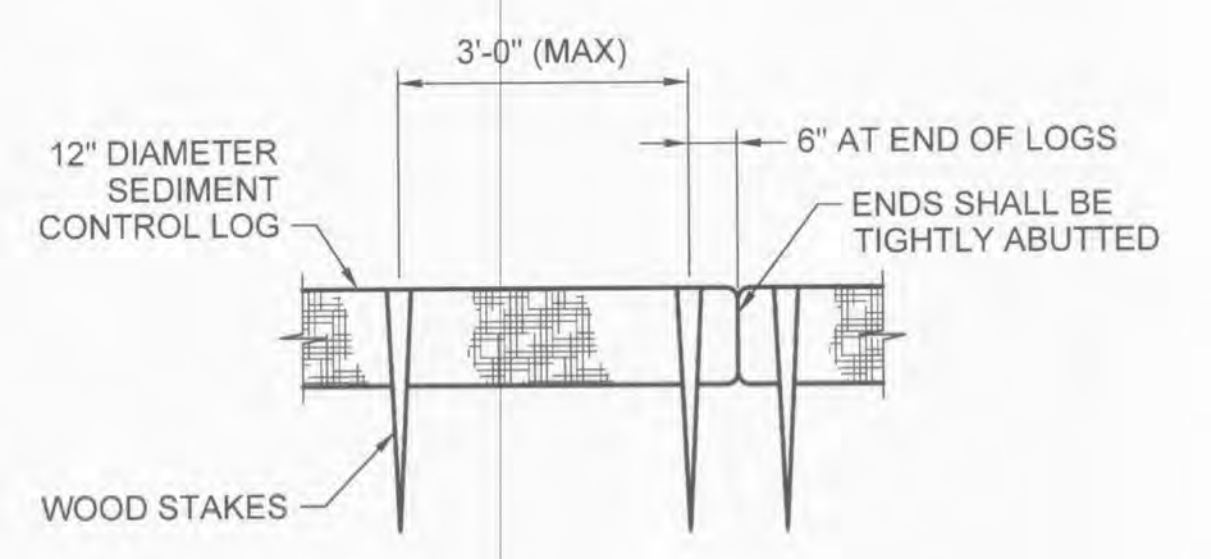


EROSION CONTROL PLAN



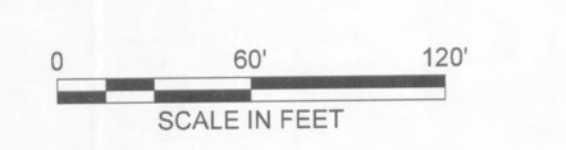
- NOTES:**
1. MINIMUM LONGITUDINAL SPLICE OVERLAP SHALL BE 2' WITH A POST AT EACH END. SECURE FABRIC TO POSTS.
 2. COMPACTION OF ANCHOR TRENCH SHALL BE SUCH THAT SILT FENCE RESISTS BEING PULLED OUT OF THE TRENCH BY HAND.
 3. FABRIC SHALL BE FASTENED SECURELY TO THE POSTS USING A MINIMUM OF ONE INCH LONG, HEAVY DUTY STAPLES OR TIE WIRES.
 4. REMOVE SEDIMENT FENCE AFTER IT HAS SERVED ITS USEFUL PURPOSE, BUT NOT BEFORE THE UPSLOPE AREA HAS BEEN PERMANENTLY STABILIZED.

TEMP PERIMETER SILT FENCE
NOT TO SCALE
1
CP05
CP06



- NOTES:**
1. SEDIMENT CONTROL LOGS SHALL CONSIST OF STRAW, COMPOST, EXCELSIOR, OR COCONUT FIBER.
 2. THE SEDIMENT CONTROL LOG SHALL BE TRENCHED INTO THE GROUND A MINIMUM OF 2".

TEMP EROSION CONTROL LOG
NOT TO SCALE
2
CP05
CP06



	REV	PROJ ID	DATE	DRWN	RW	APPD
<p>O'FALLON RENEWABLE ENERGY CENTER</p>						
<p>EROSION CONTROL PLAN</p>						
<p>CP06</p>						<p>REV 0</p>

BMCD# 77051
 2010 MISSOURI REG. NO. 10217
 CIVIL ENGINEER
 314-882-9500
Burns & McDonnell
 SINCE 1998

Date: 08/27/2014
 Mark R. Harrison
 Professional Engineer
 #E-22292

Ameren
 ISSUED FOR CONSTRUCTION