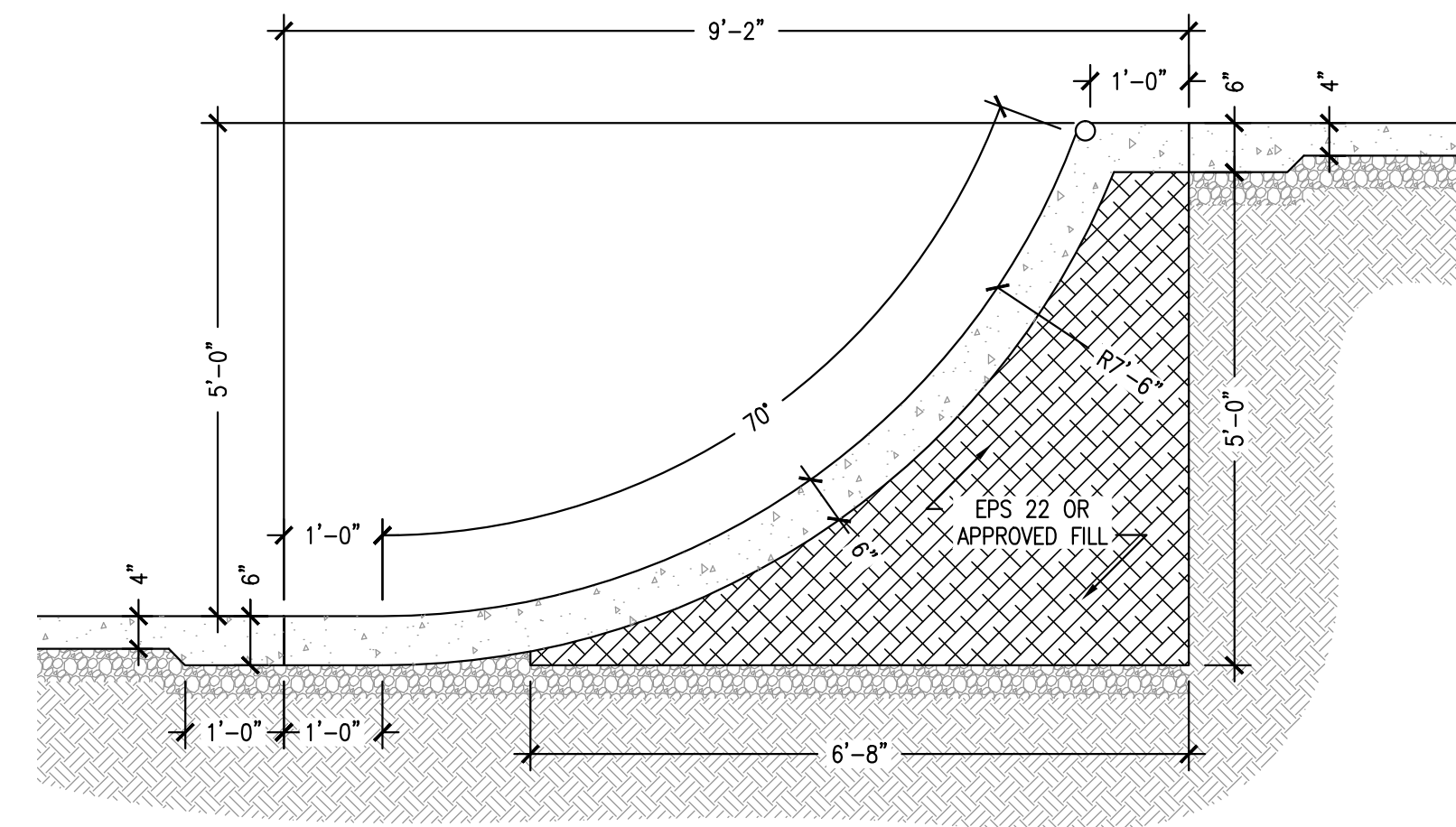
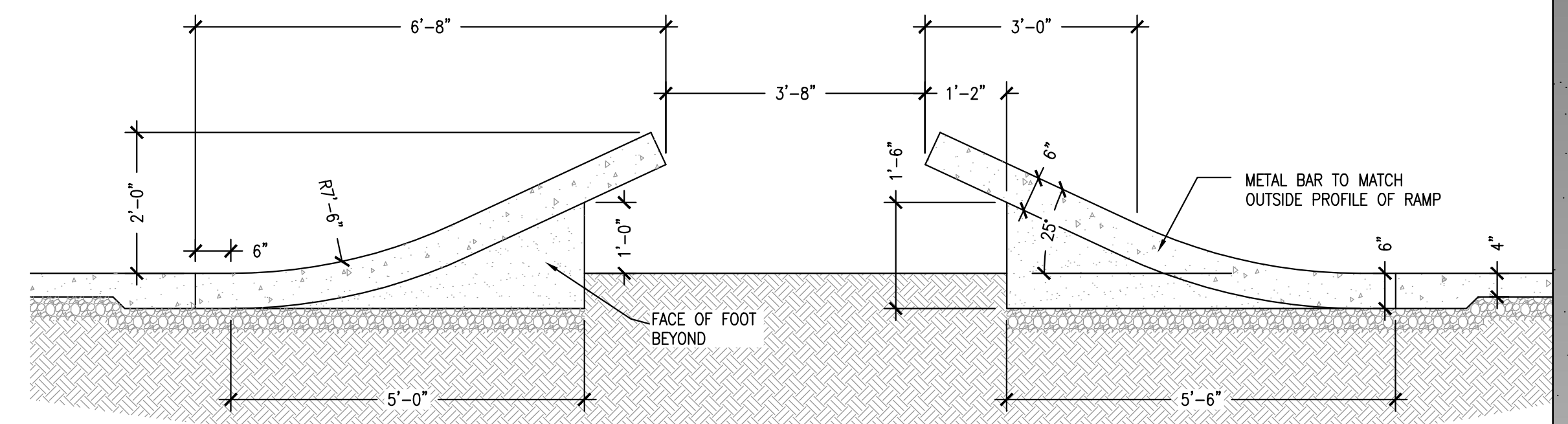


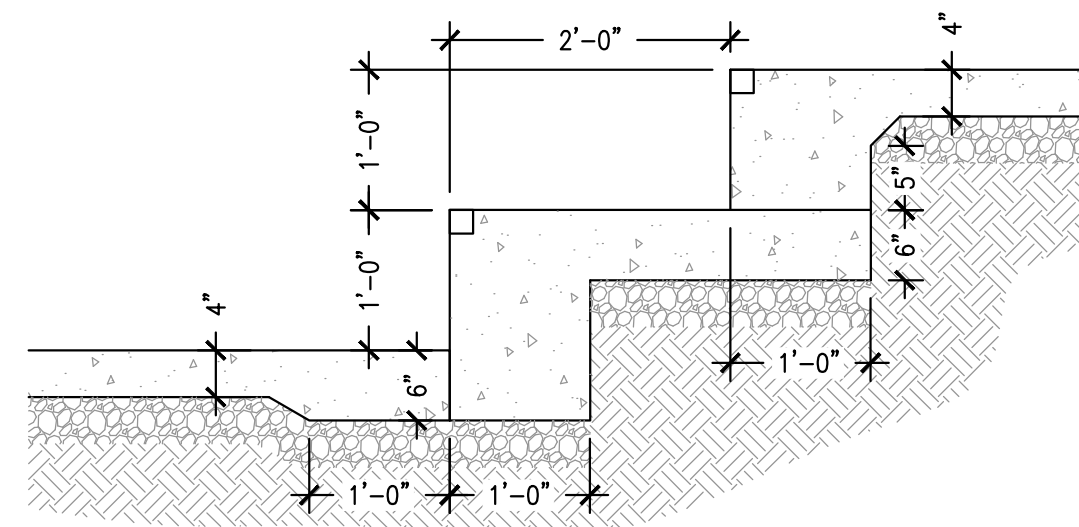
1 SKATEPARK ELEVATIONS  
Scale: NONE



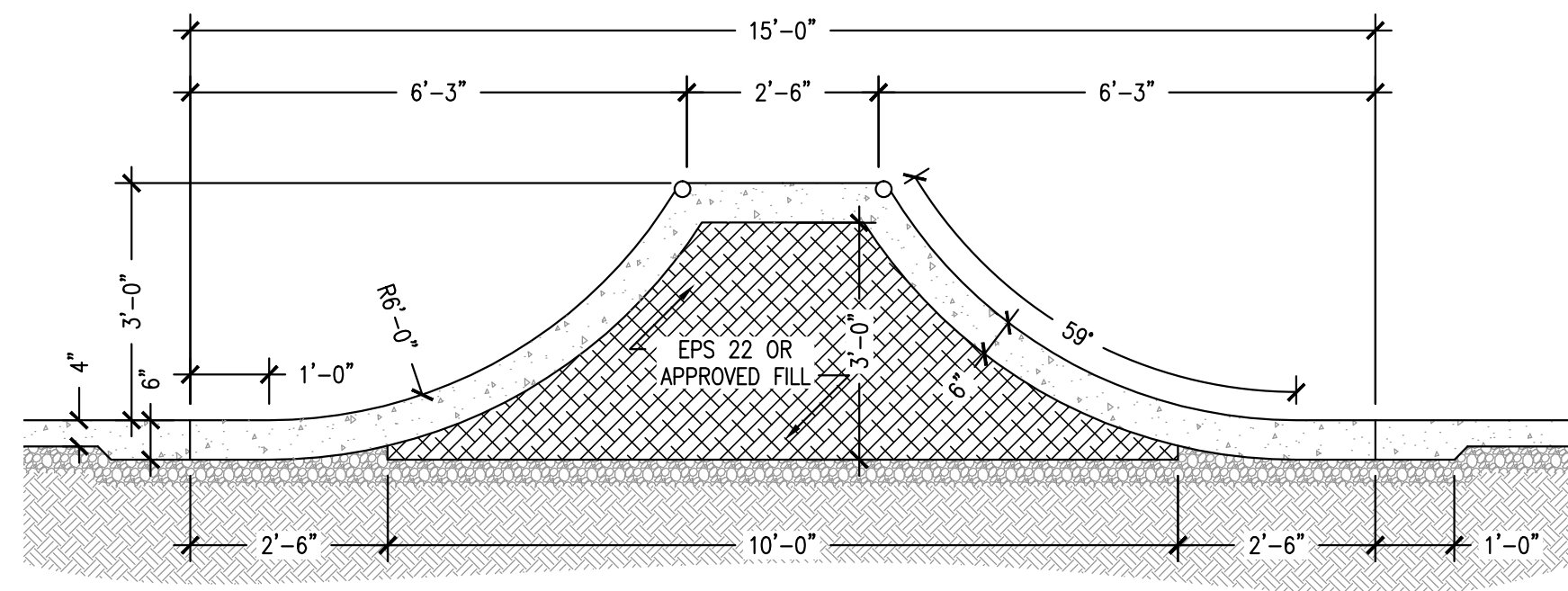
A QUARTERPIPE SECTION  
Scale: NONE



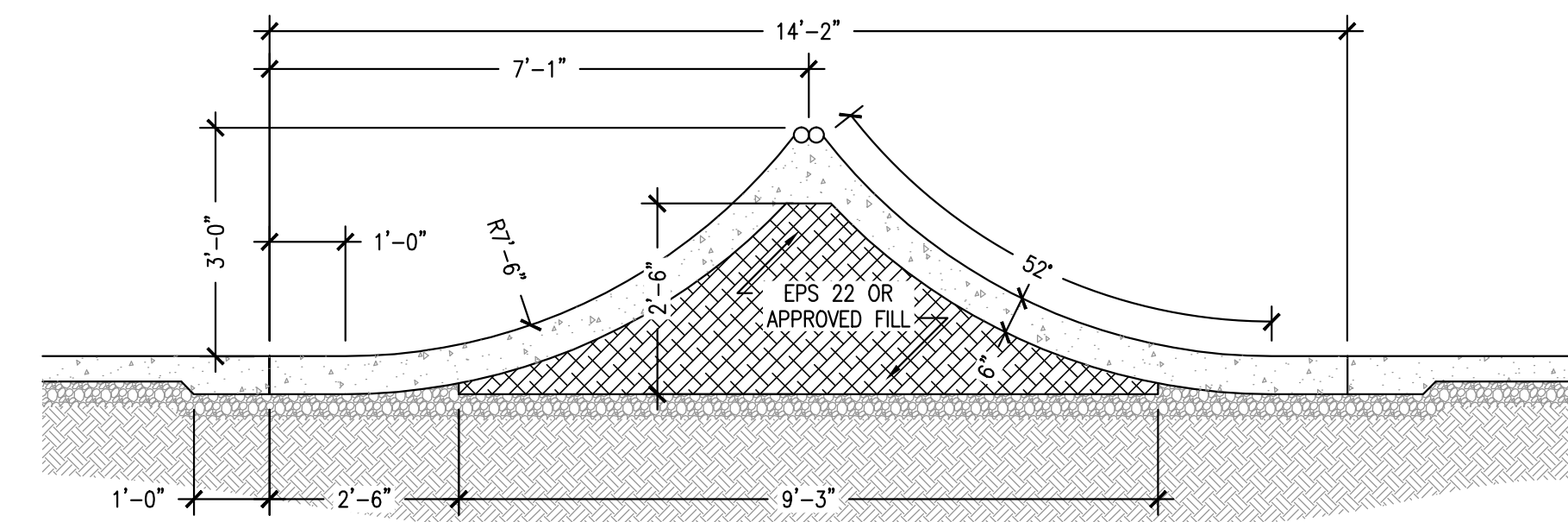
B JUMP GAP SECTION  
Scale: NONE



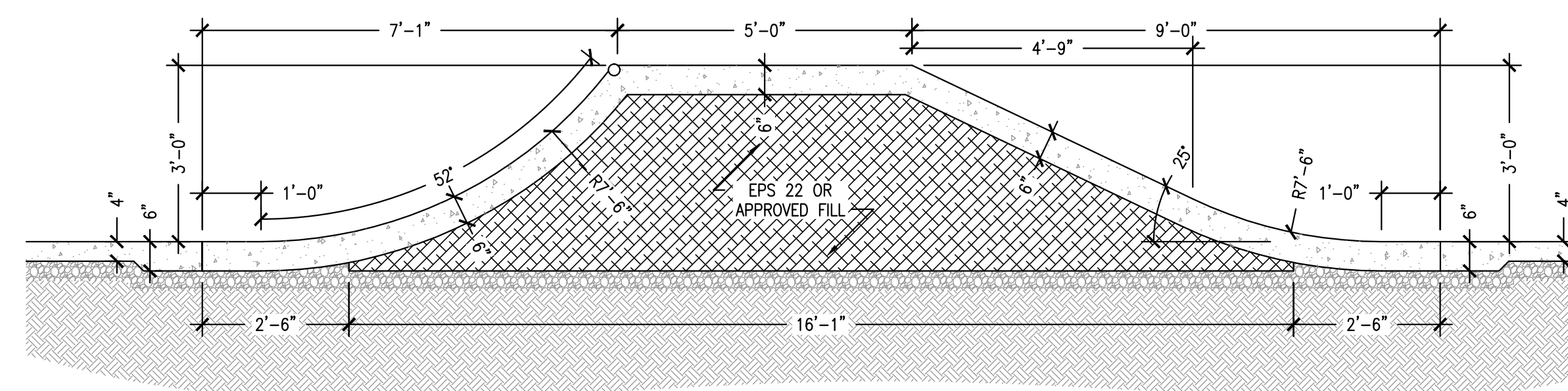
C GRIND LEDGE SECTION  
Scale: NONE



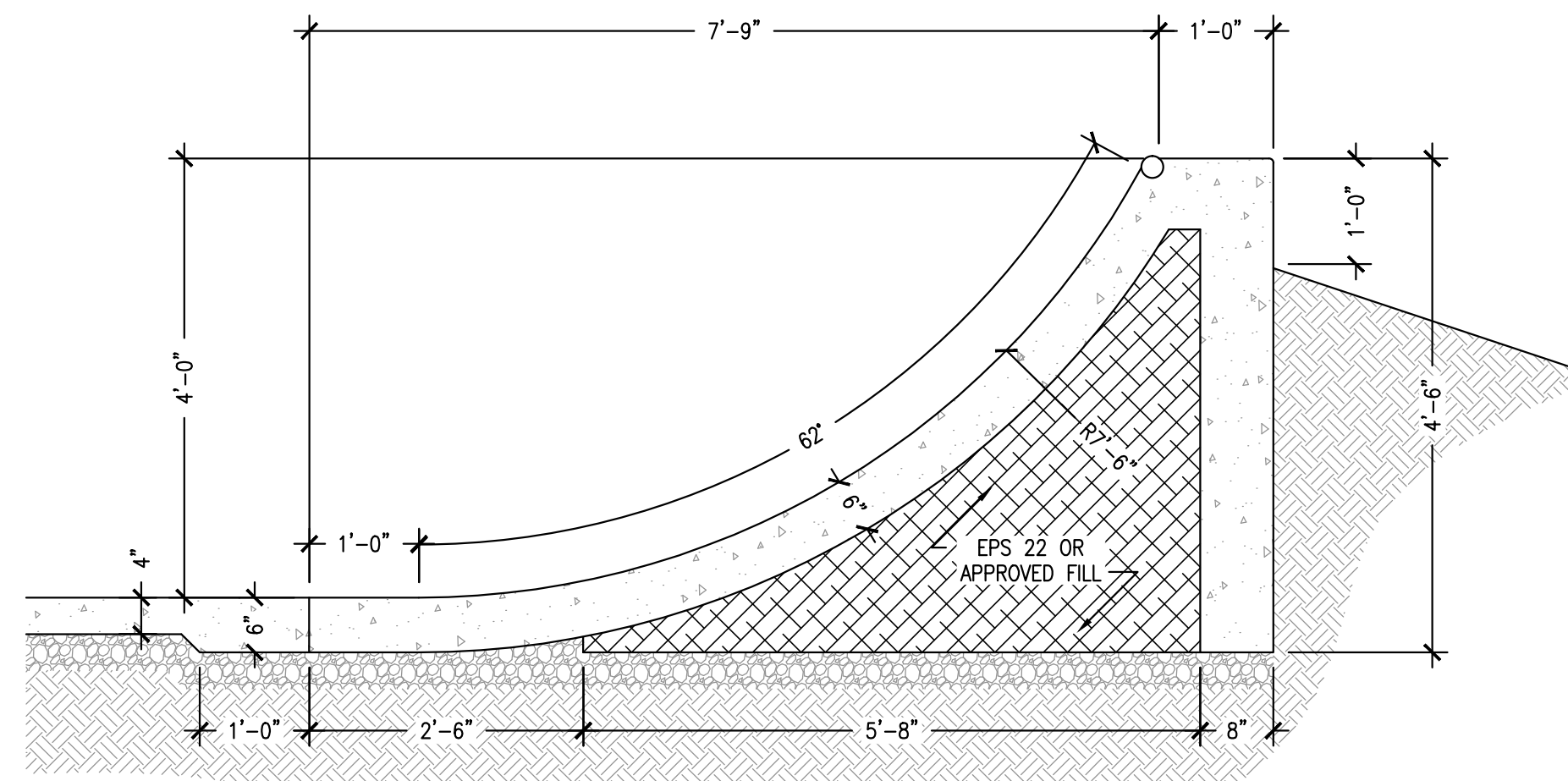
D MINI-VOLCANO SECTION  
Scale: NONE



E SPINE SECTION  
Scale: NONE



F BANK-TO-QUARTER SECTION  
Scale: NONE



G PLAZA CLAM (CENTER) SECTION  
Scale: NONE



2/17/12

SKATEPARK ELEVATIONS  
WESTHOFF PARK SKATEPARK  
O'FALLON, MISSOURI

Drawn By: J. HETHMON  
Approved By: N. BEMO  
Scale: AS NOTED  
Project No: 11-115  
Drawing No:

SP-4

REV	DESCRIPTION	DATE
1	ISSUE FOR CONSTRUCTION 02/14/12	
2		
3		
4		

THIS DOCUMENT IS THE PROPERTY OF HARBORCORE SKATEPARKS AND CONTAINS PROPRIETARY INFORMATION OF THE COMPANY. REPRODUCTION OR TRANSMISSION OF THIS DOCUMENT WITHOUT PROPER WRITTEN CONSENT FROM THE COMPANY IS PROHIBITED.

HARBORCORE  
SKATEPARKS INC.  
SKATER OWNED/OPERATED SINCE 2001