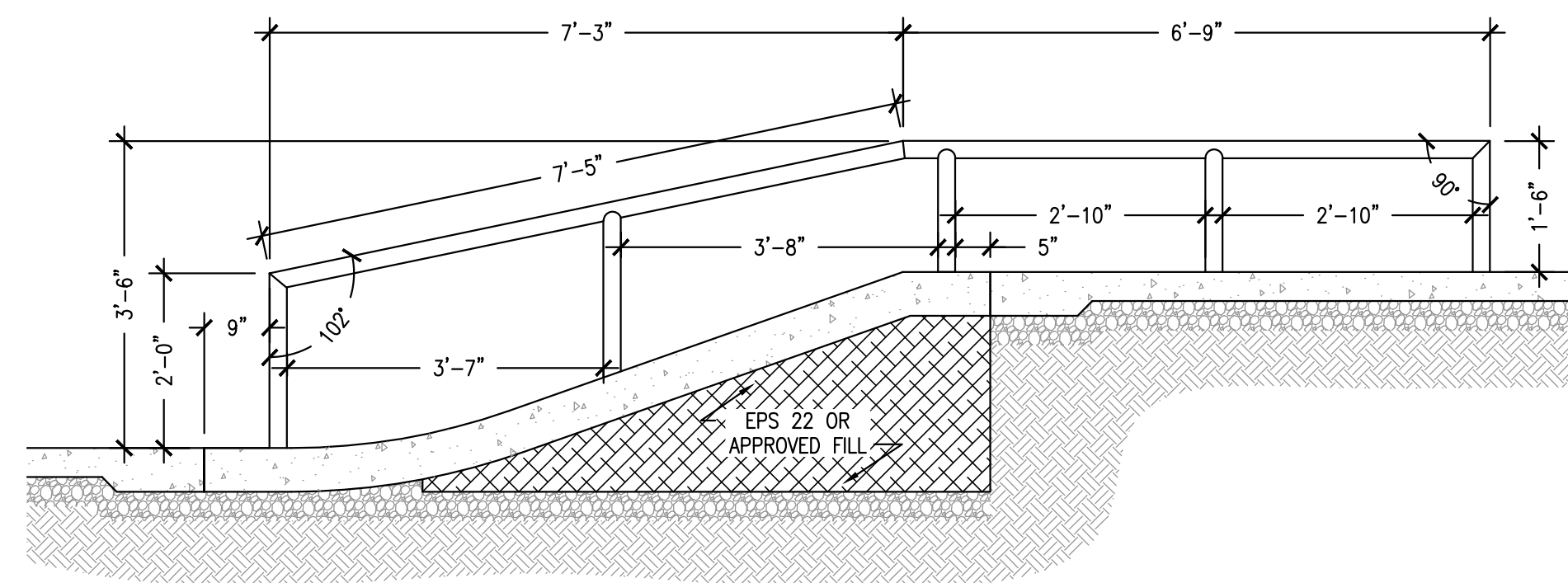
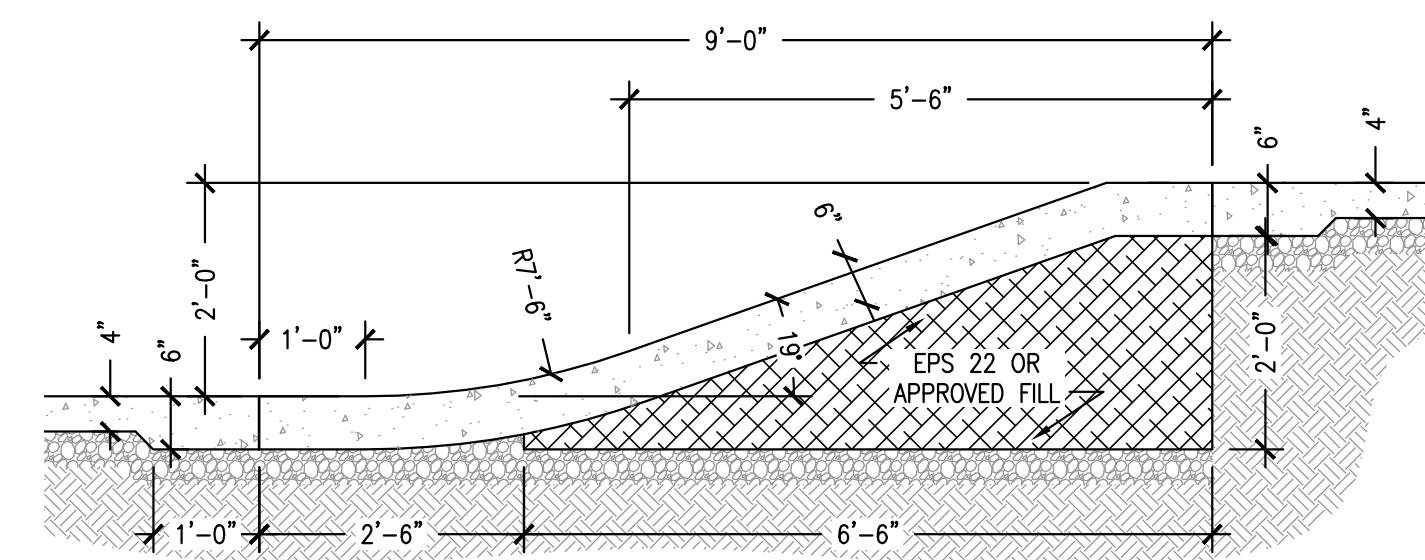


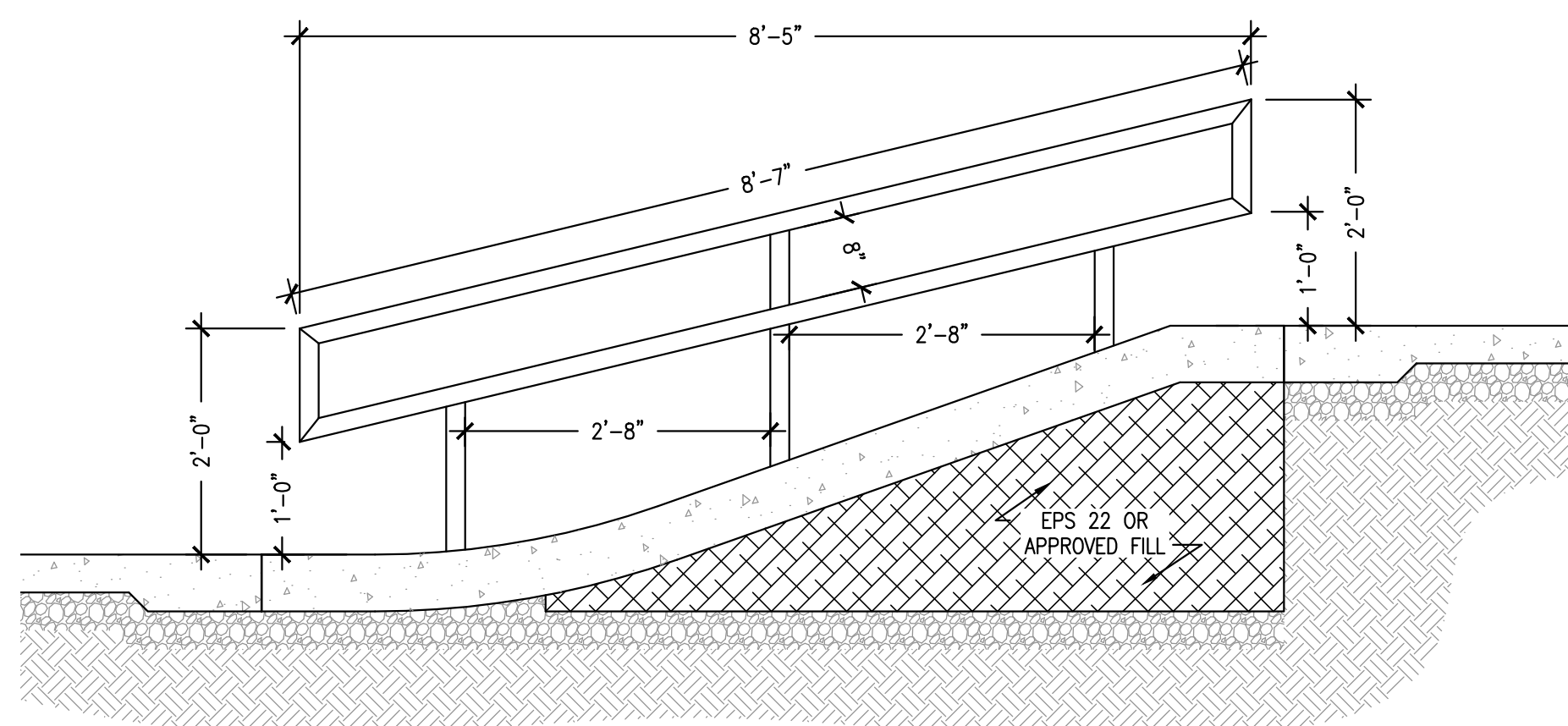
1 SKATEPARK ELEVATIONS
Scale: NONE



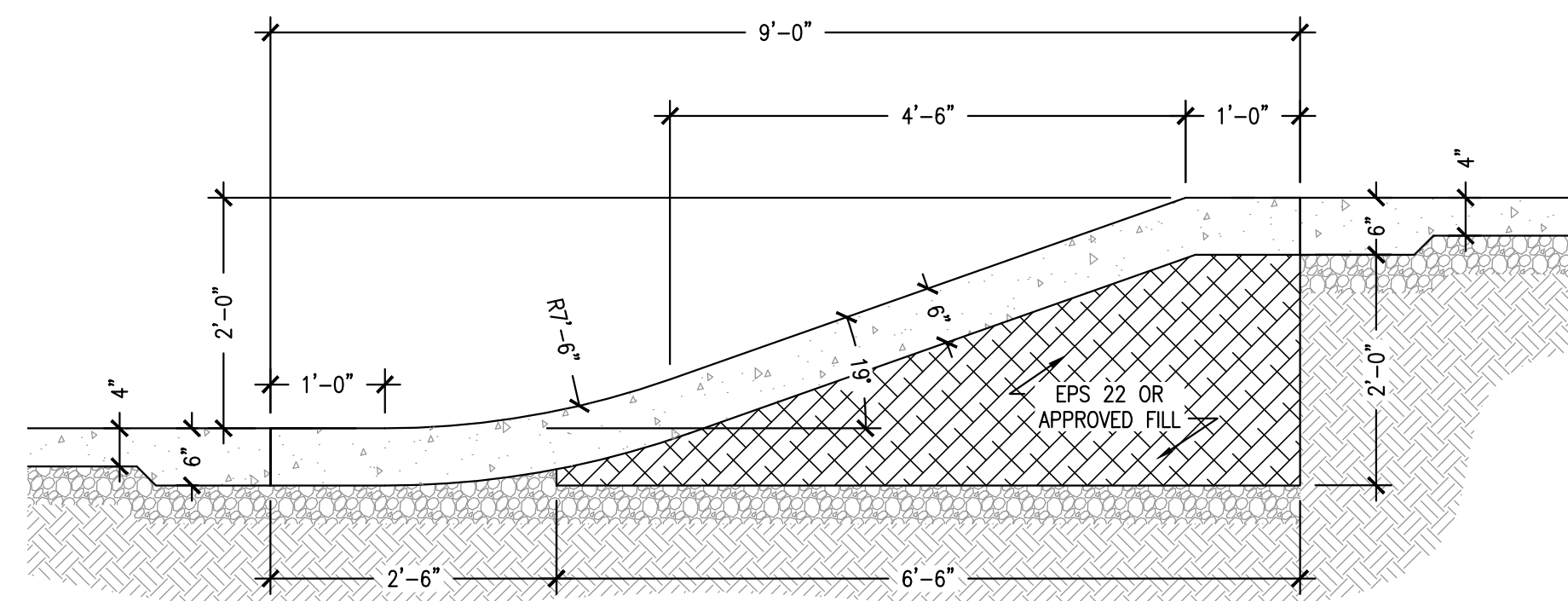
A 2" NOM. GRINDRAIL SECTION
Scale: NONE



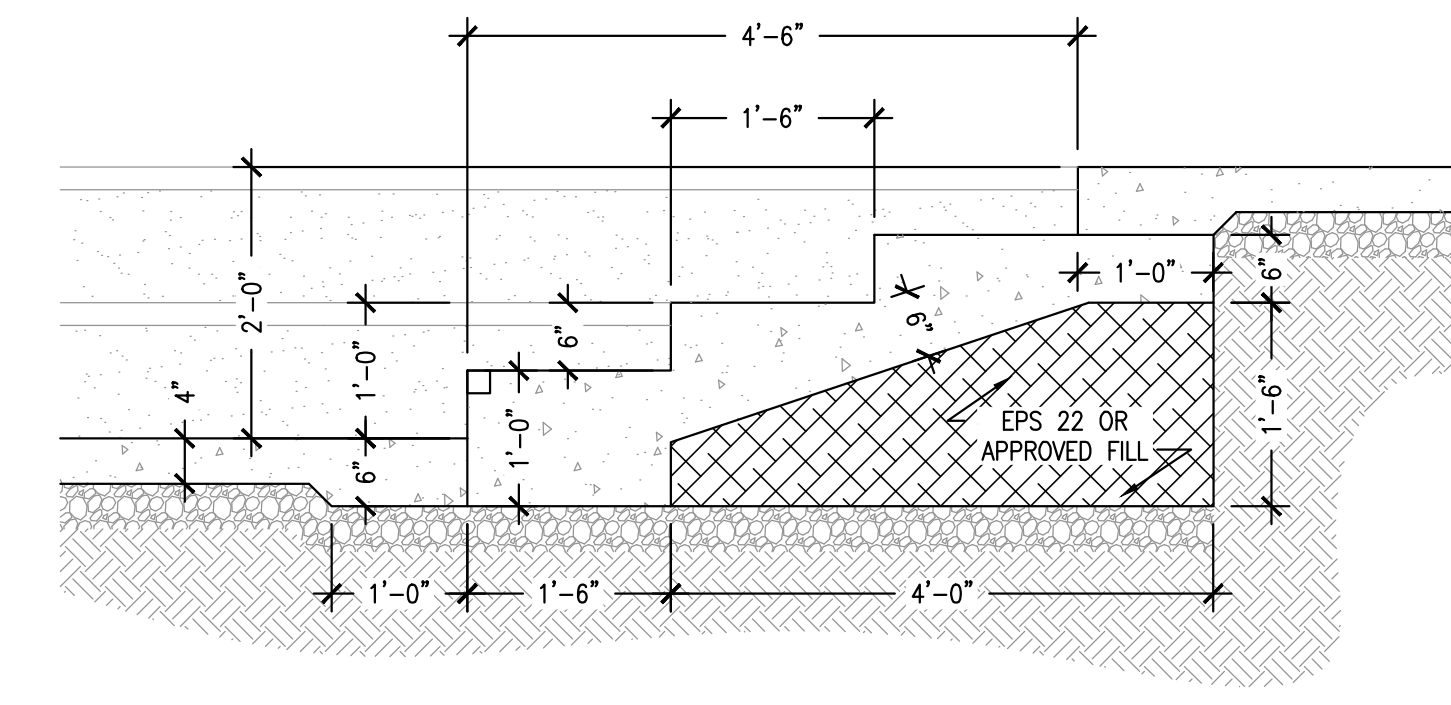
A BANK RAMP SECTION
Scale: NONE



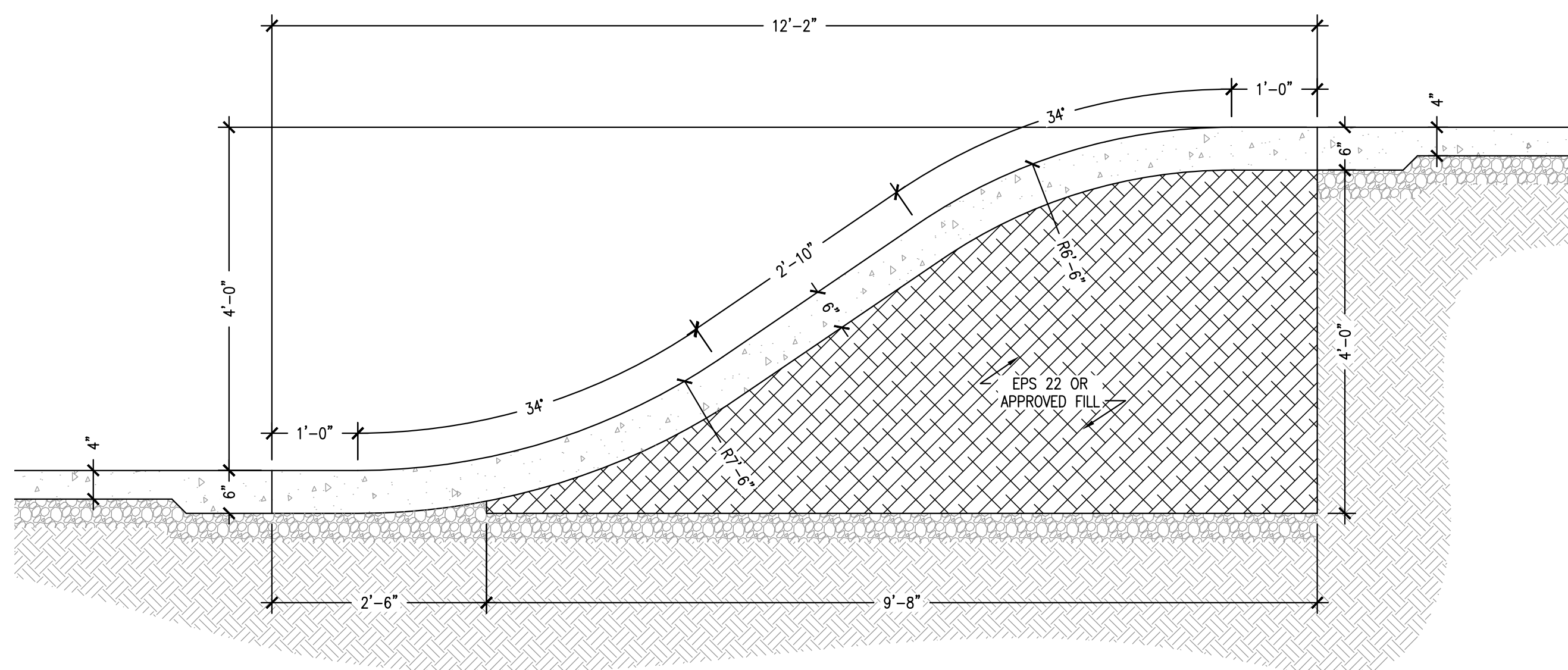
B 2"x3" GRINDRAIL SECTION
Scale: NONE



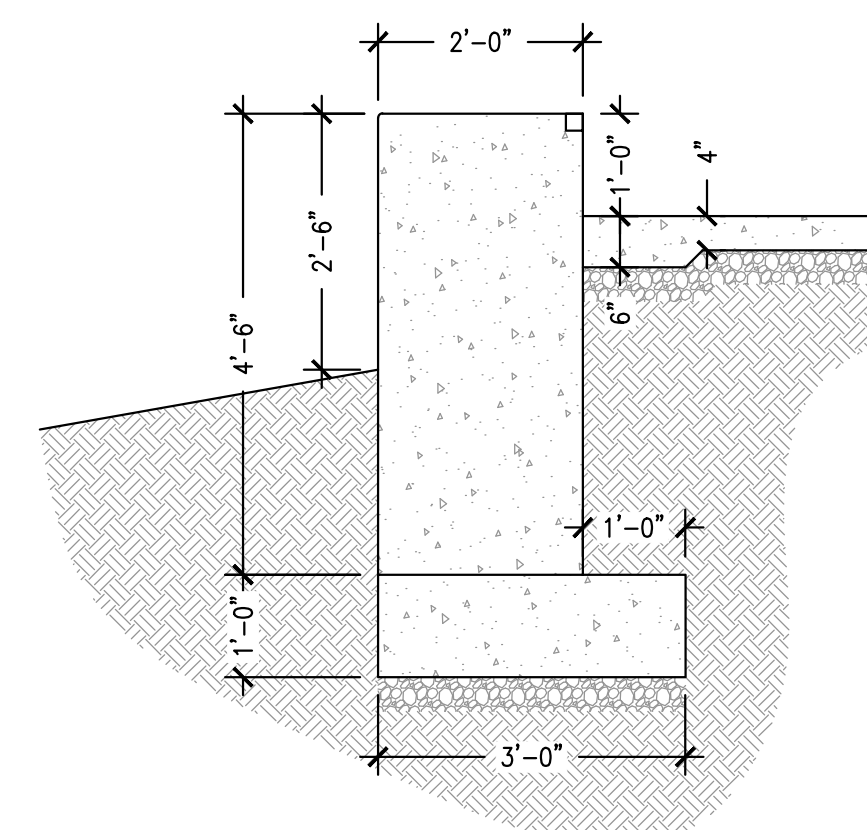
B BANK RAMP SECTION
Scale: NONE



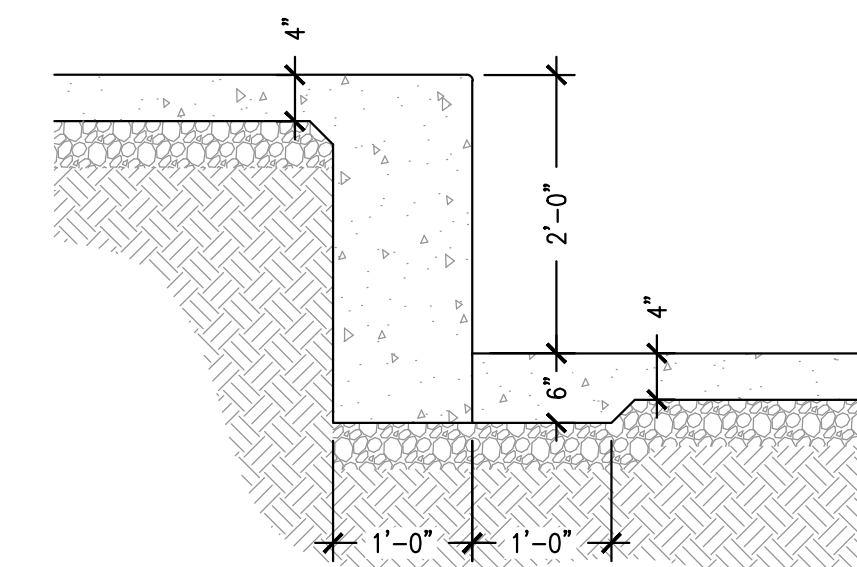
C BIG STAIRS SECTION
Scale: NONE



D ROLL-IN SECTION
Scale: NONE



E RETAINING WALL SECTION
Scale: NONE



F RETAINING WALL SECTION
Scale: NONE



2/17/12

SKATEPARK ELEVATIONS
WESTHOFF PARK SKATEPARK
O'FALLON, MISSOURI

Drawn By: J. HETHMON
Approved By: N. BEMO
Scale: AS NOTED
Project No: 11-115
Drawing No:

SP-4A

REV	DESCRIPTION	DATE
1	ISSUE FOR CONSTRUCTION	02/14/12
2		
3		
4		

FARDCORE
SHOTCRETE SKATEPARKS INC.
SKATEPARKS OPERATED SINCE 2001

THIS DOCUMENT IS THE PROPERTY OF FARDCORE SKATEPARKS AND CONTAINS PROPRIETARY INFORMATION OF THE COMPANY. IT IS TO BE USED ONLY FOR THE PROJECT AND WITHOUT REPRODUCTION OR TRANSMISSION IN ANY FORM OR BY ANY MEANS, ELECTRONIC OR MECHANICAL, INCLUDING PHOTOCOPYING, RECORDING, OR BY ANY INFORMATION STORAGE AND RETRIEVAL SYSTEM. WITHOUT THE WRITTEN CONSENT FROM THE COMPANY.