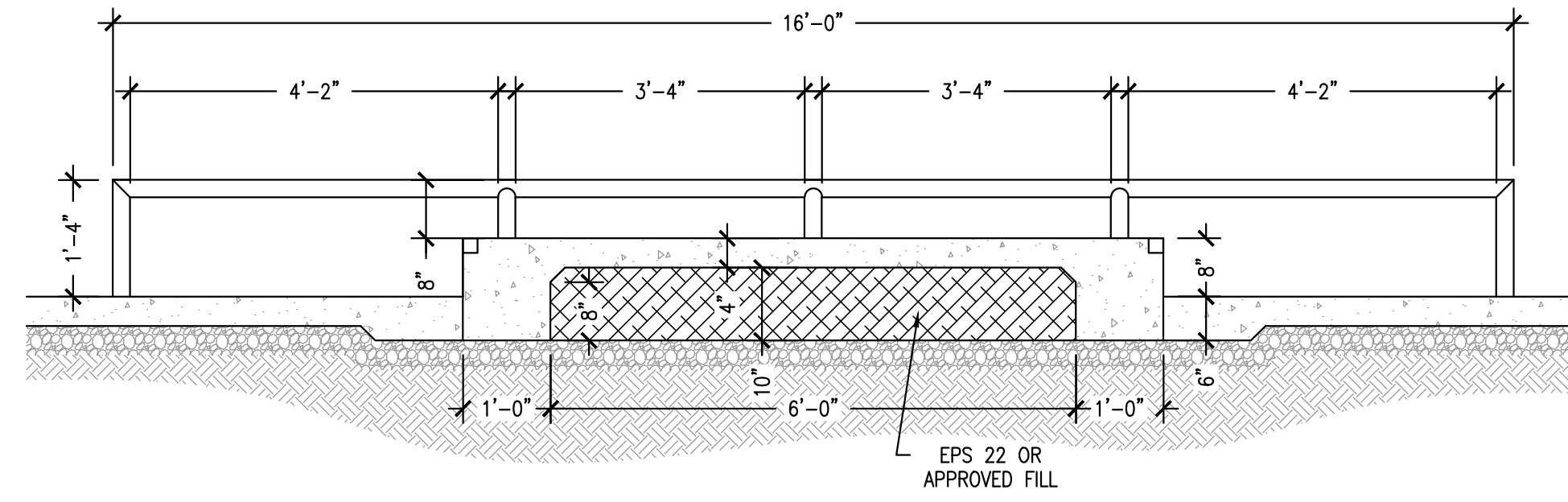
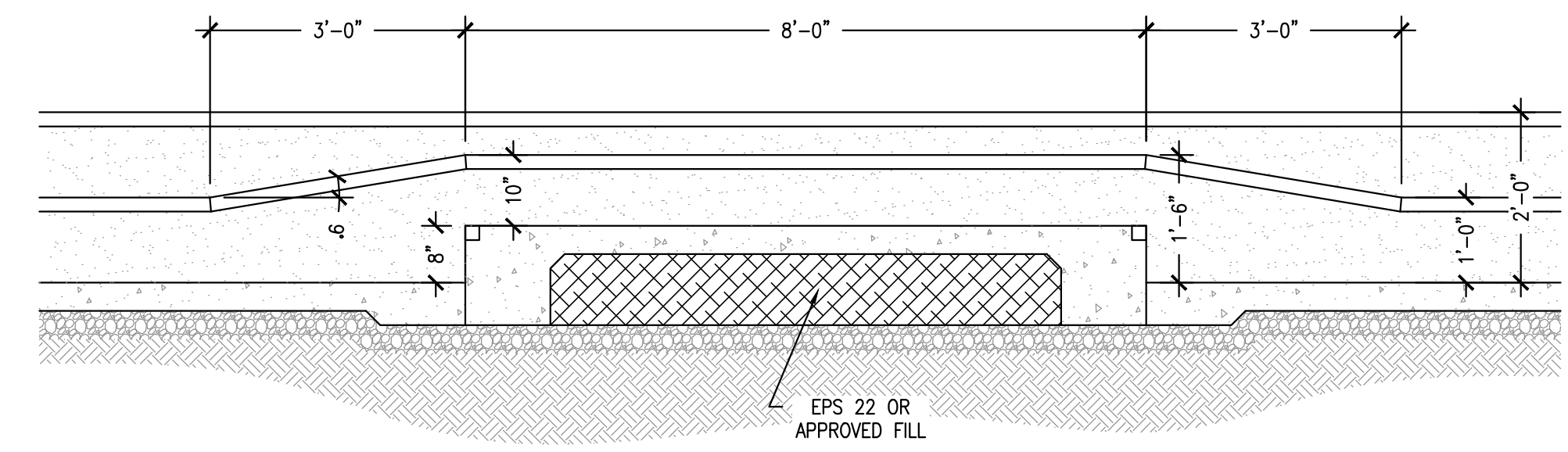


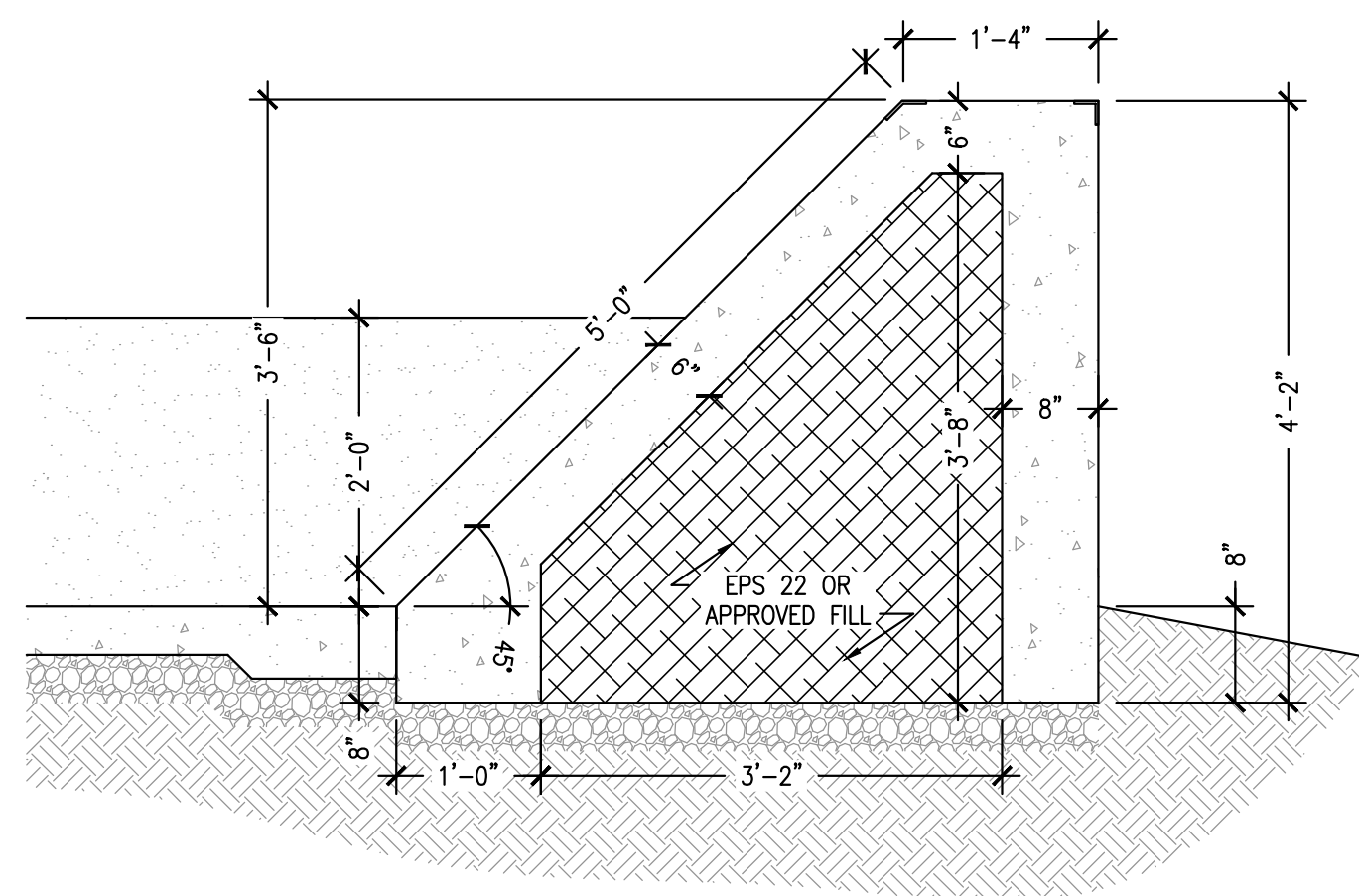
1 SKATEPARK ELEVATIONS
Scale: NONE



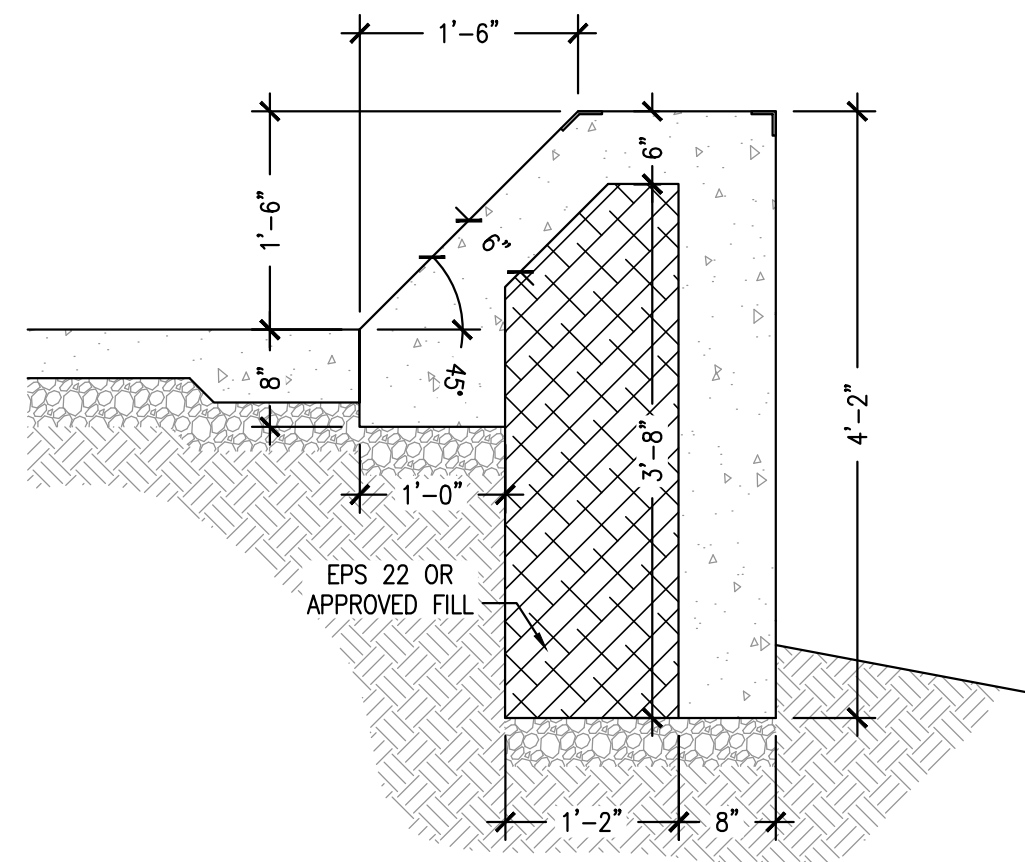
A 2" NOM. GRINDRAIL/MANUAL PAD SECTION
Scale: NONE



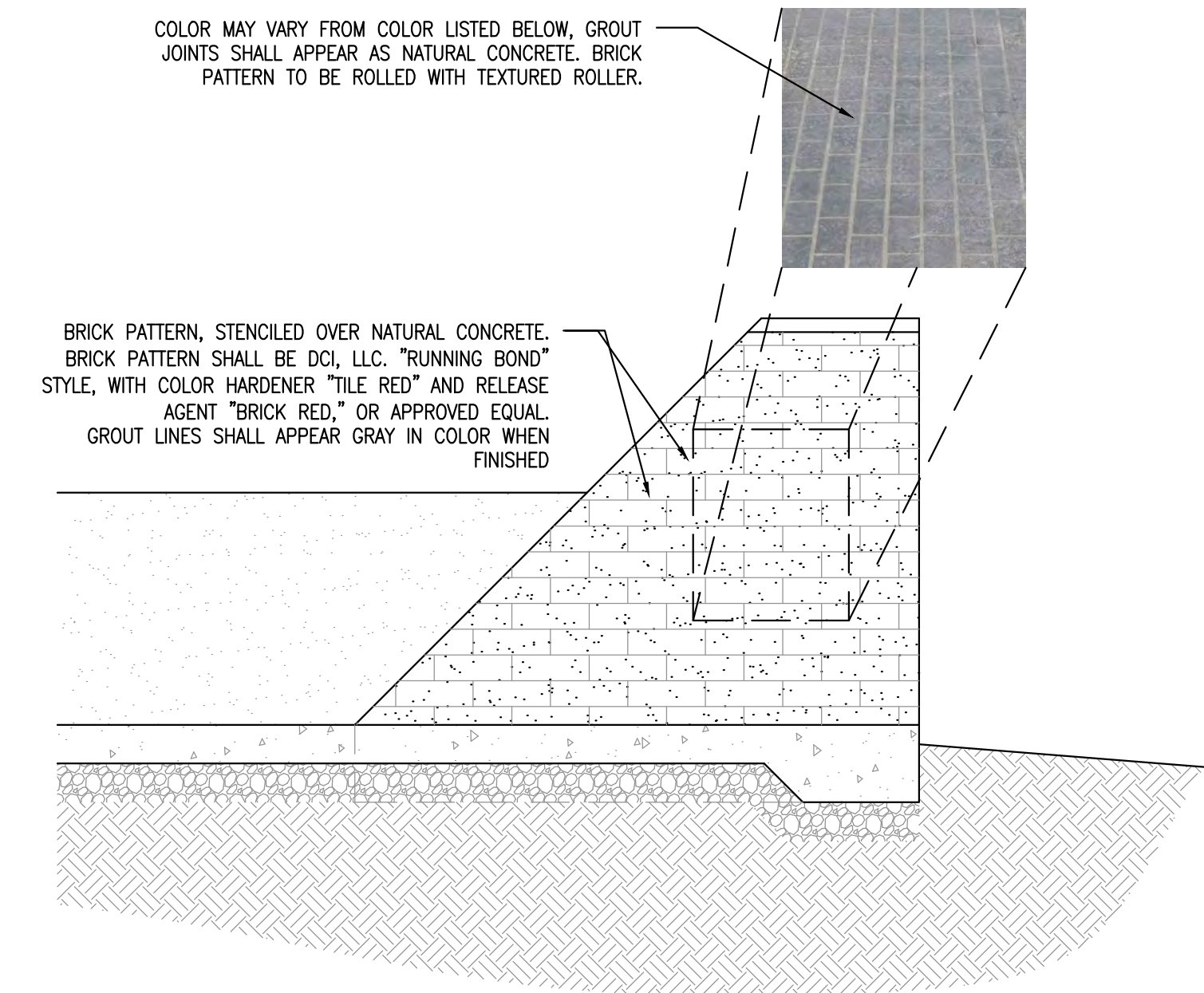
B RAISED LEDGE/MANUAL PAD SECTION
Scale: NONE



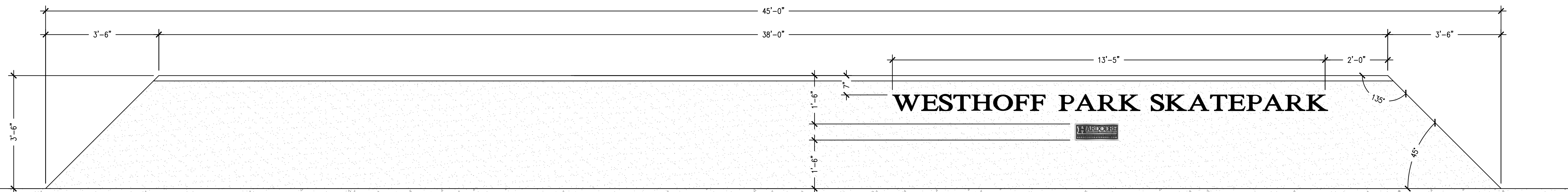
C SLANT LEDGE/FLATWORK SECTION
Scale: NONE



D SLANT LEDGE/FLATWORK SECTION
Scale: NONE



E SLANT LEDGE/FLATWORK SECTION
Scale: NONE



F SLANT LEDGE-REAR ELEVATION
Scale: NONE



REV	DESCRIPTION	DATE
1	ISSUE FOR CONSTRUCTION	02/14/12
2		
3		
4		

FARDCORE
CONCRETE SKATEPARKS INC.
SKATER OWNED/OPERATED SINCE 2001

SKATEPARK ELEVATIONS
WESTHOFF PARK SKATEPARK
O'FALLON, MISSOURI

Drawn By: **J. HETHMON**
Approved By: **N. BEMO**
Scale: **AS NOTED**
Project No: **11-115**
Drawing No: **SP-4C**