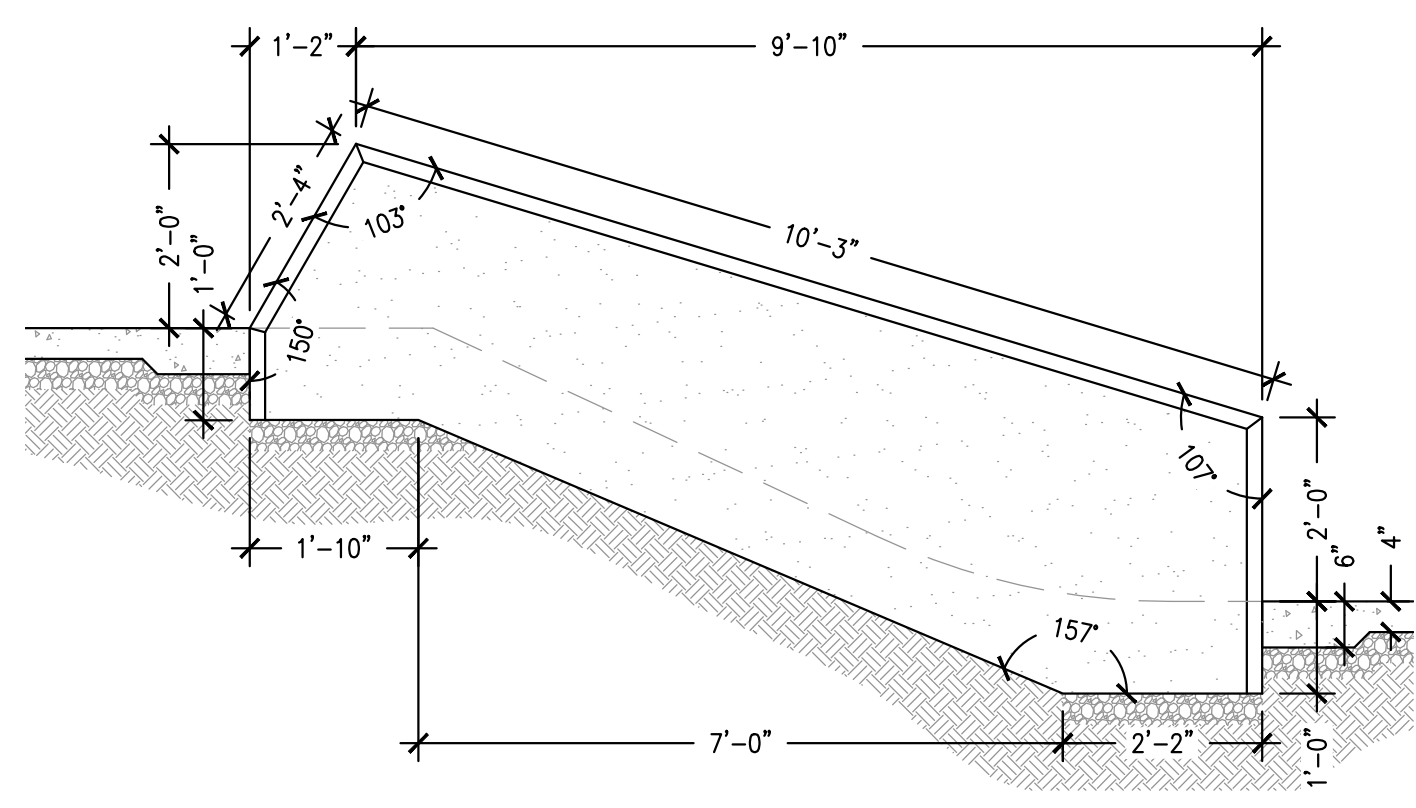
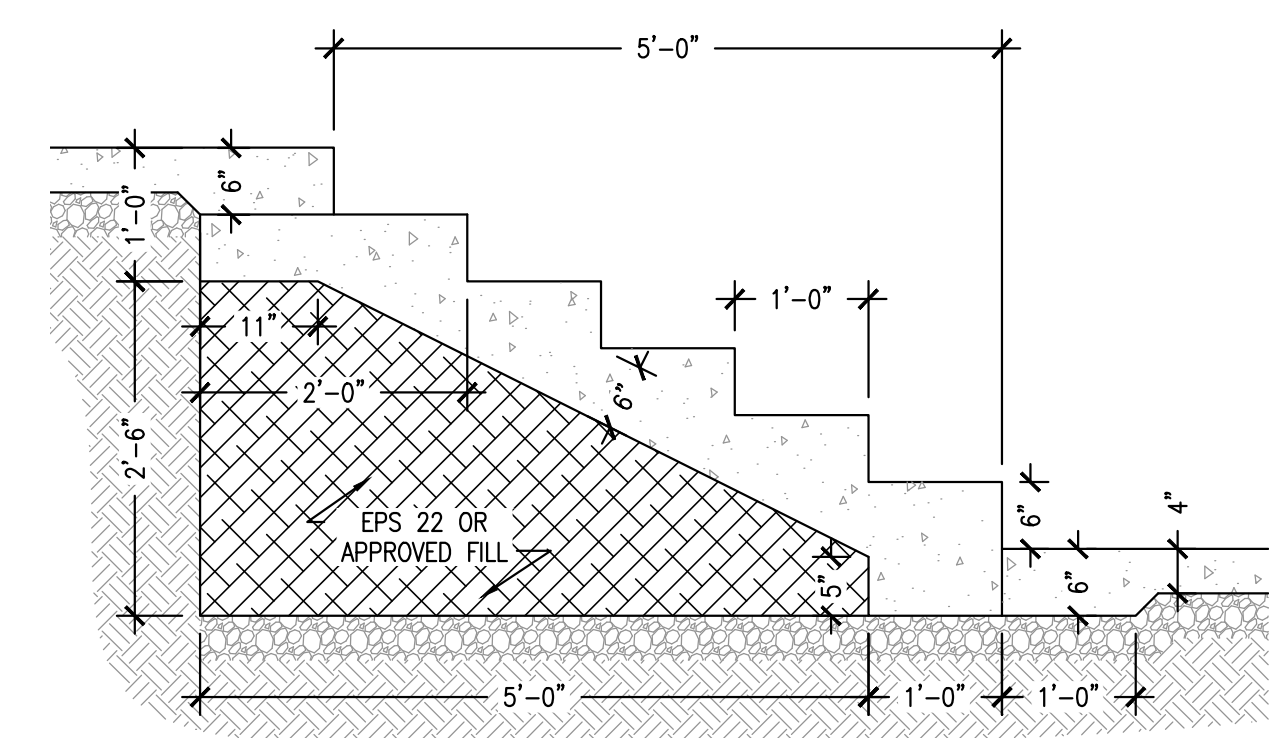


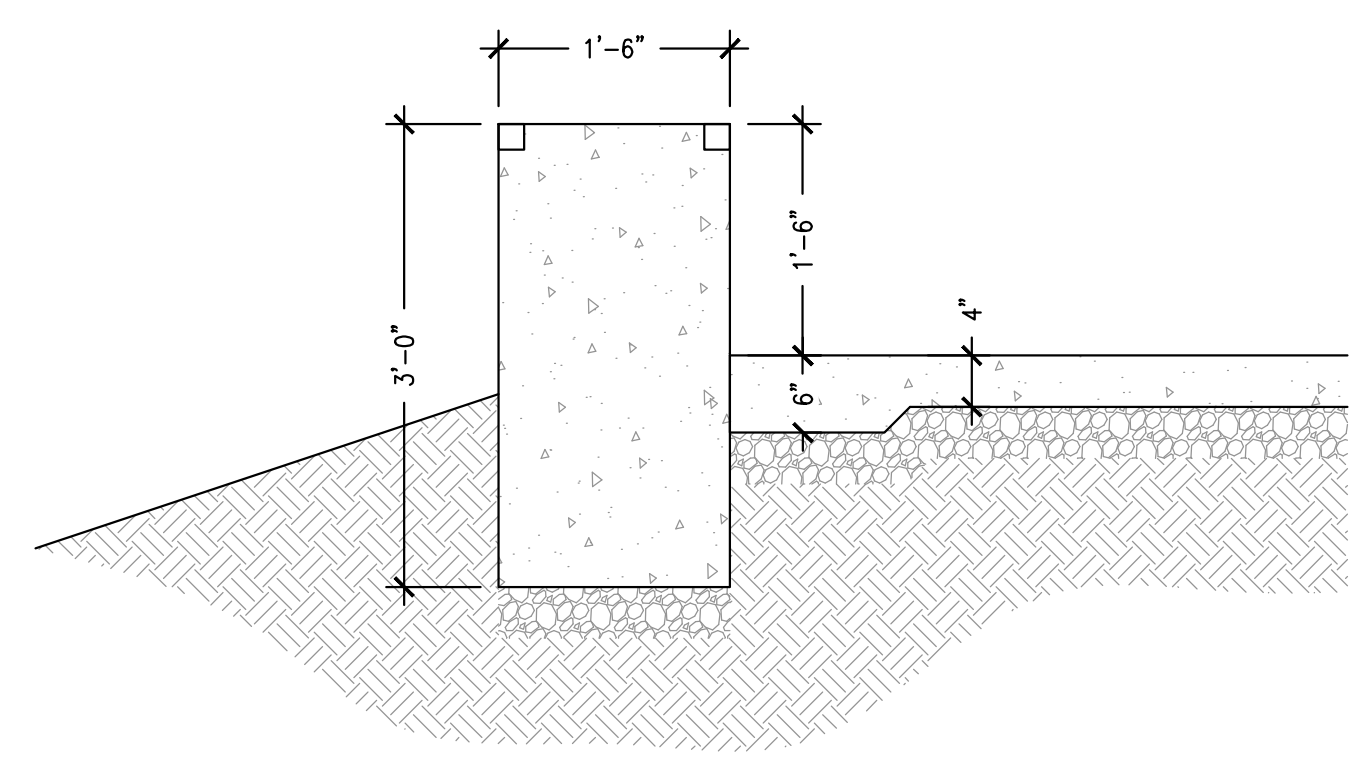
**1 SKATEPARK ELEVATIONS (ADD ALTERNATE)**  
Scale: NONE



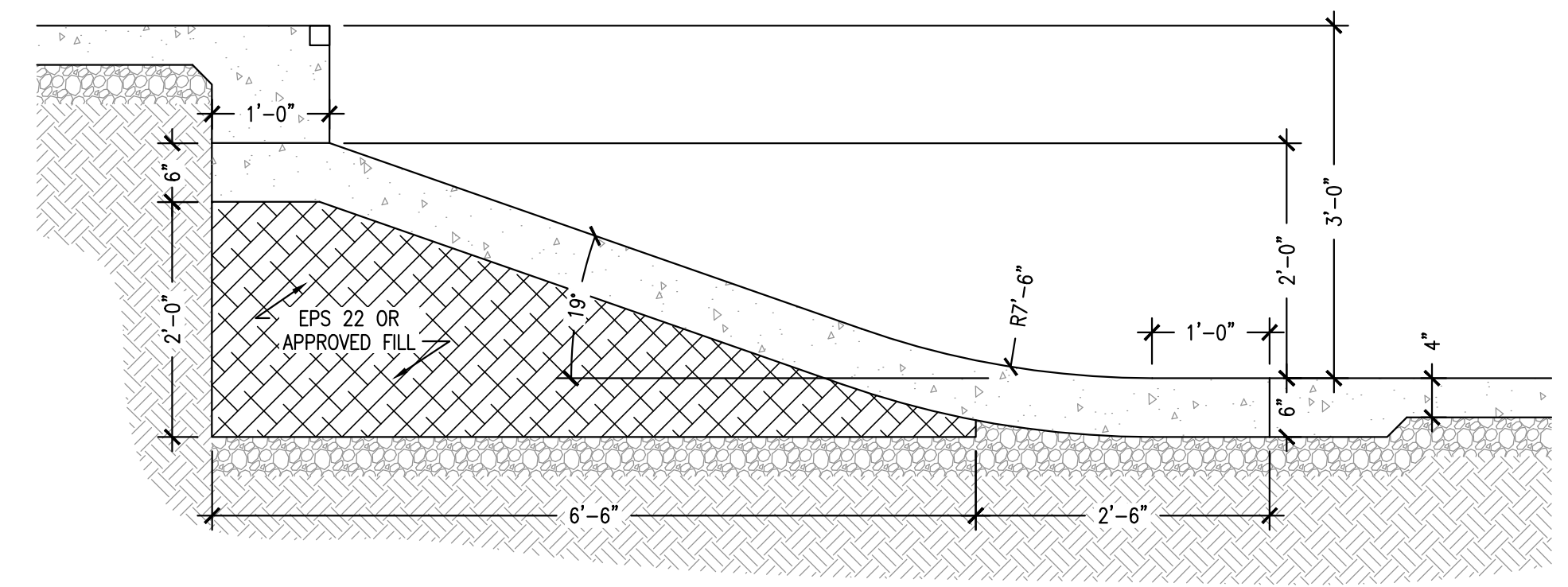
**C HUBBA LEDGE SECTION**  
Scale: NONE



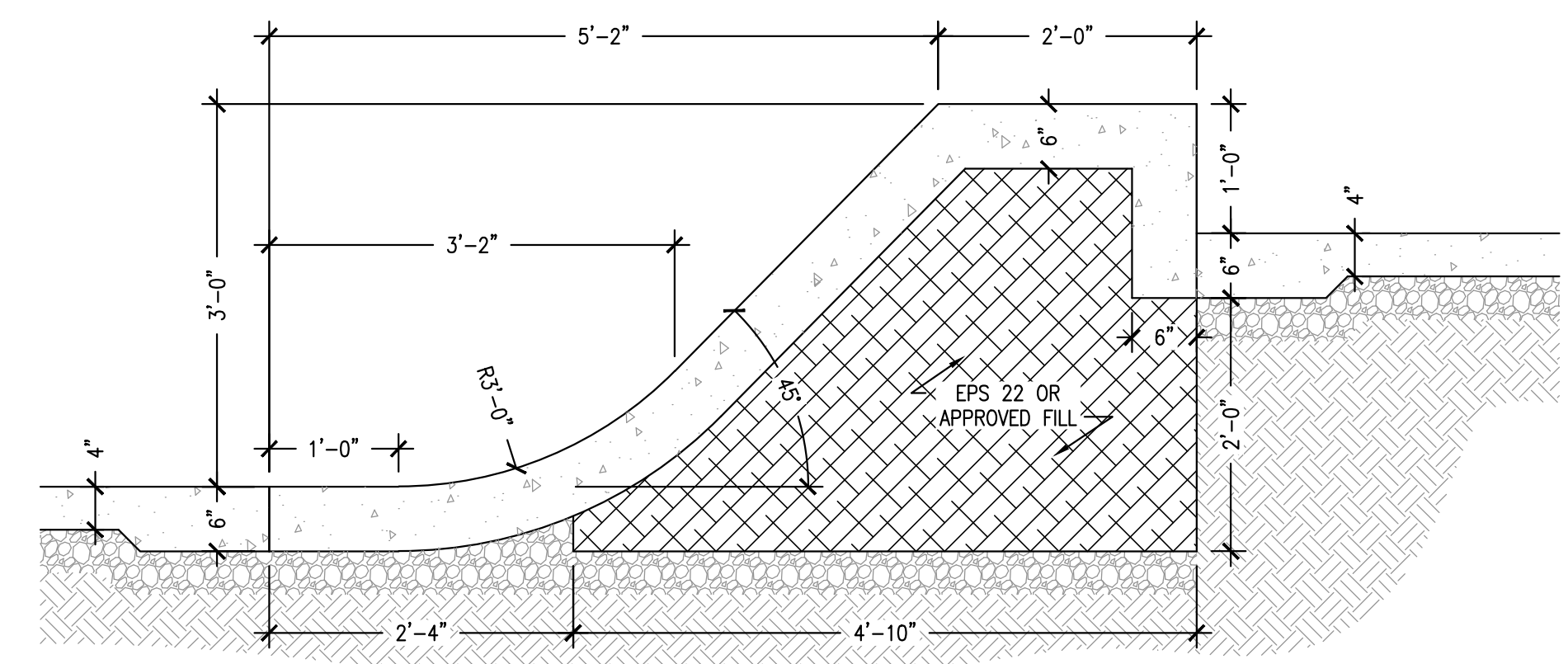
**F STAIR SECTION**  
Scale: NONE



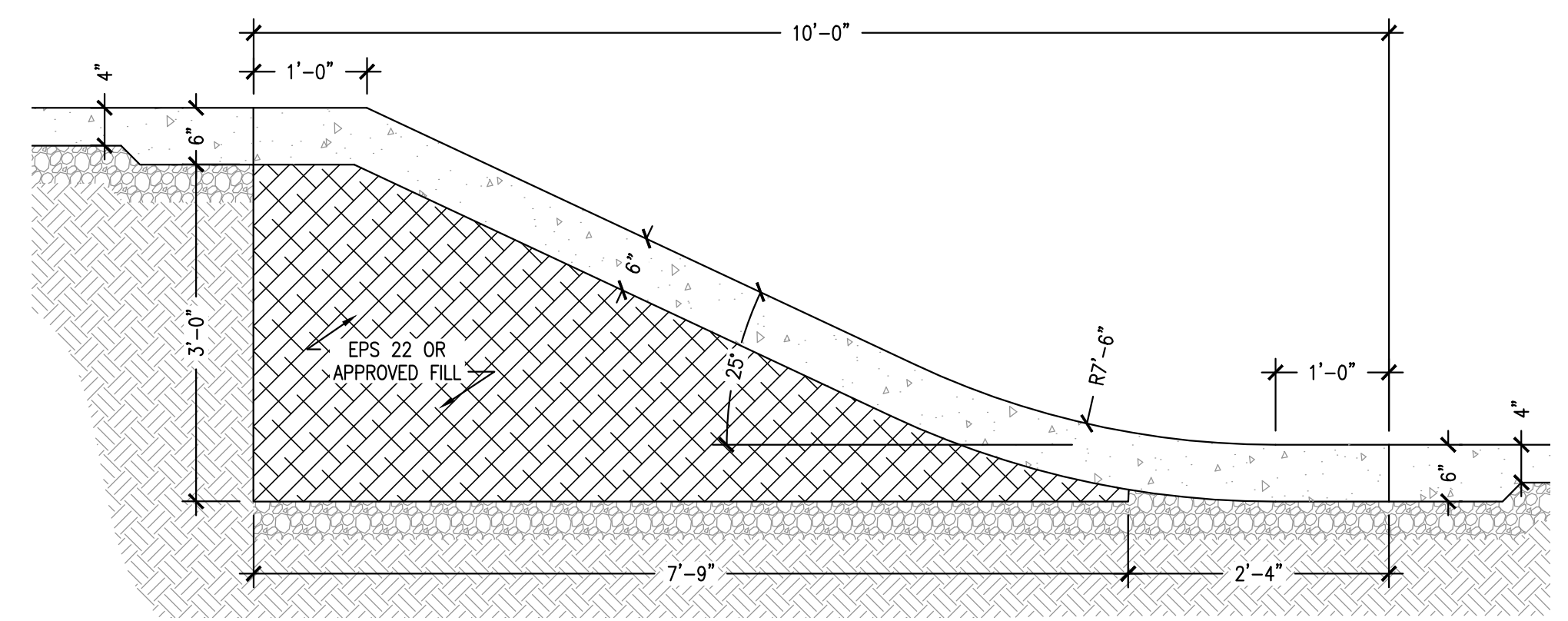
**A RADIAL GRINDLEDGE SECTION**  
Scale: NONE



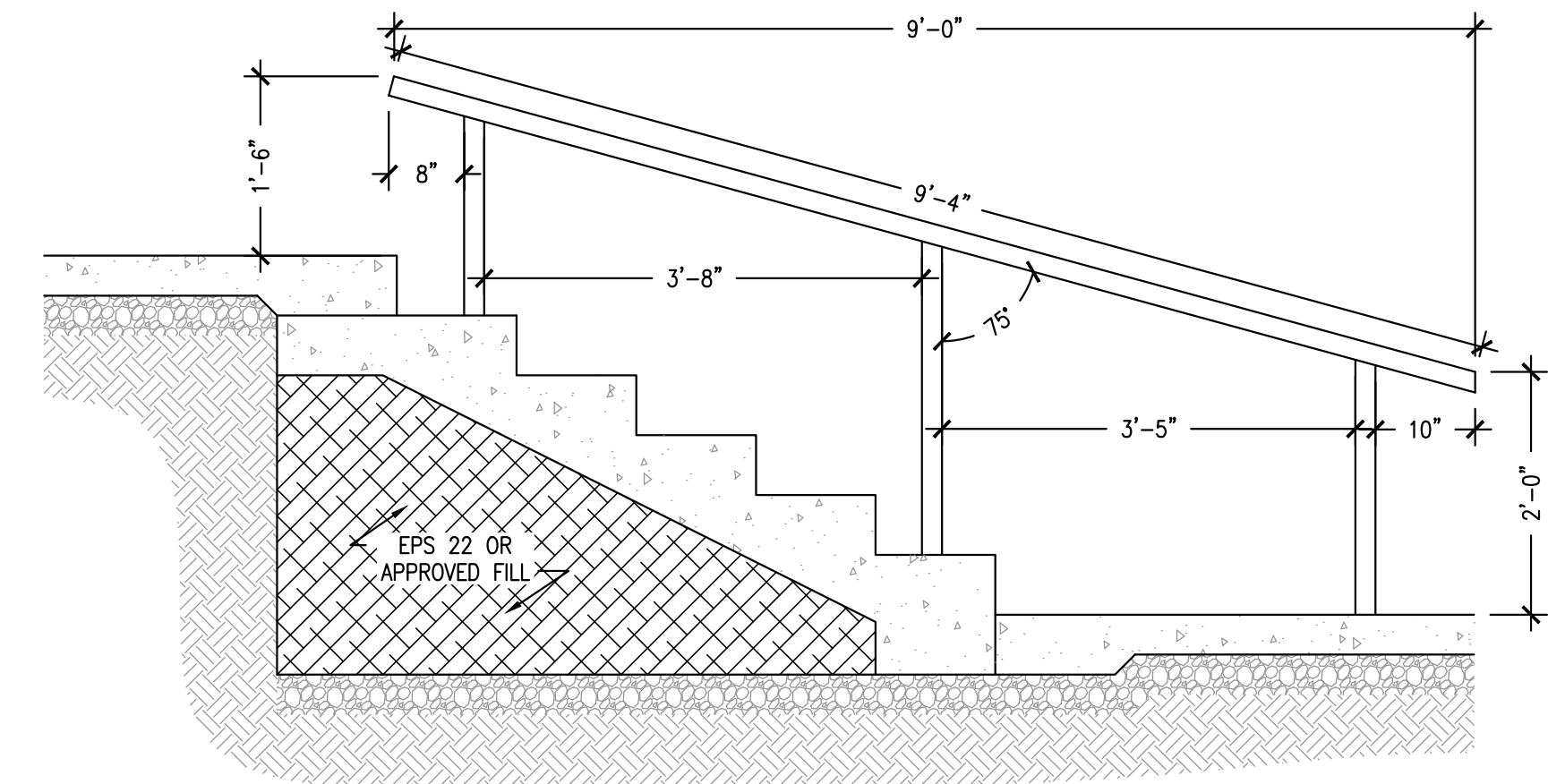
**B BANK RAMP DROP SECTION**  
Scale: NONE



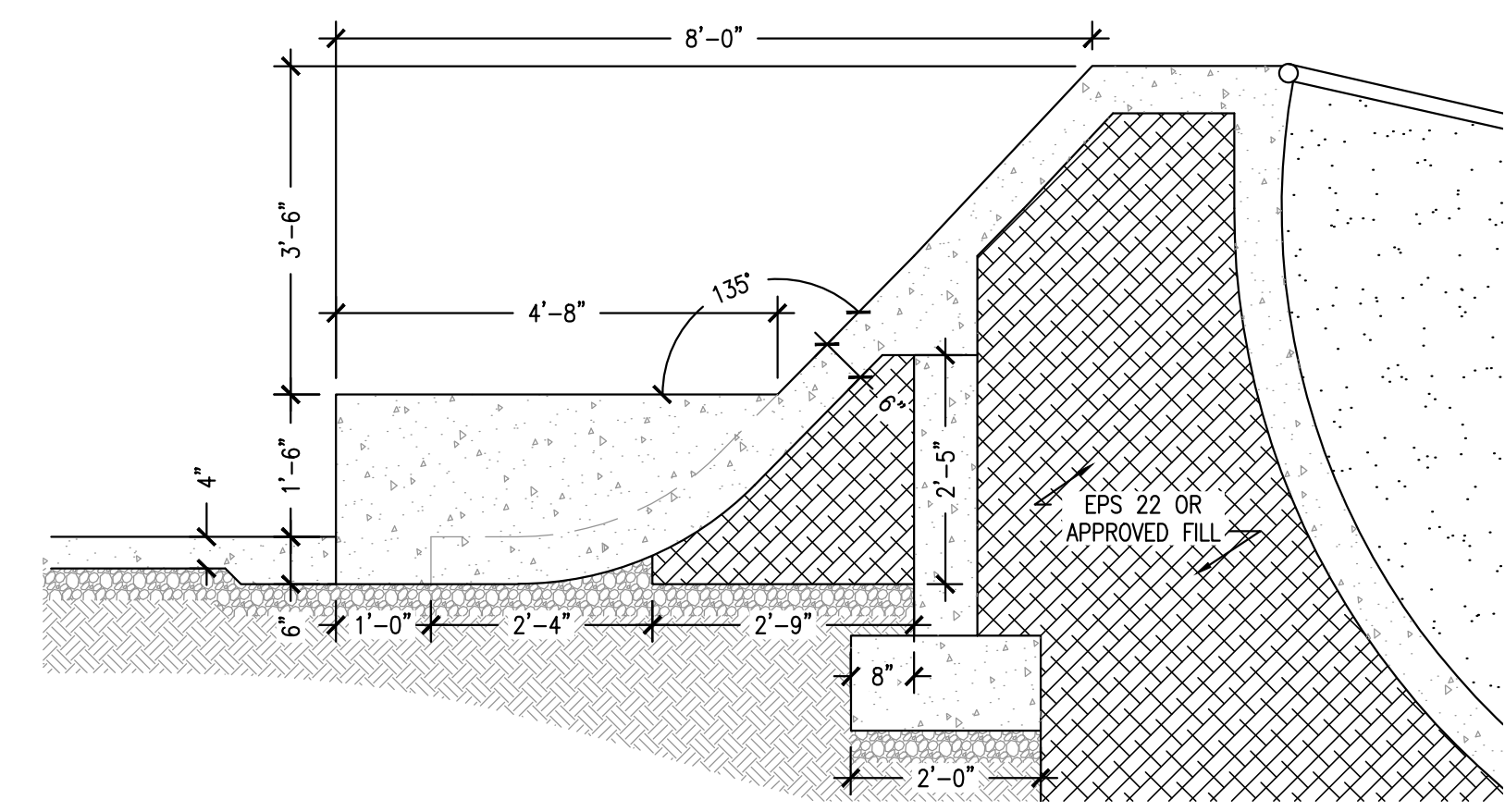
**D CHINA BANK SECTION**  
Scale: NONE



**E BANK RAMP SECTION**  
Scale: NONE



**F STAIR/ 2"x3" GRINDRAIL SECTION**  
Scale: NONE



**G MANUAL PAD/CHINA BANK SECTION**  
Scale: NONE



SKATEPARK ELEVATIONS (ADD ALTERNATE)  
WESTHOFF PARK SKATEPARK  
O'FALLON, MISSOURI

Drawn By: **J. HETHMON**  
Approved By: **N. BEMO**  
Scale: **AS NOTED**  
Project No: **11-115**  
Drawing No: **SP-4D**

REV.	DESCRIPTION	DATE
1	ISSUE FOR CONSTRUCTION	02/14/12
2		
3		
4		

**HARDCORE**  
SHOTCRETE SKATEPARKS INC.  
SKATEPARK OWNED/OPERATED SINCE 2001

THIS DOCUMENT IS THE PROPERTY OF HARDCORE SKATEPARKS AND CONTAINS PROPRIETARY INFORMATION OF THE COMPANY. REPRODUCTION OR TRANSMISSION OF THIS DOCUMENT WITHOUT PROPER WRITTEN CONSENT FROM THE COMPANY IS PROHIBITED.