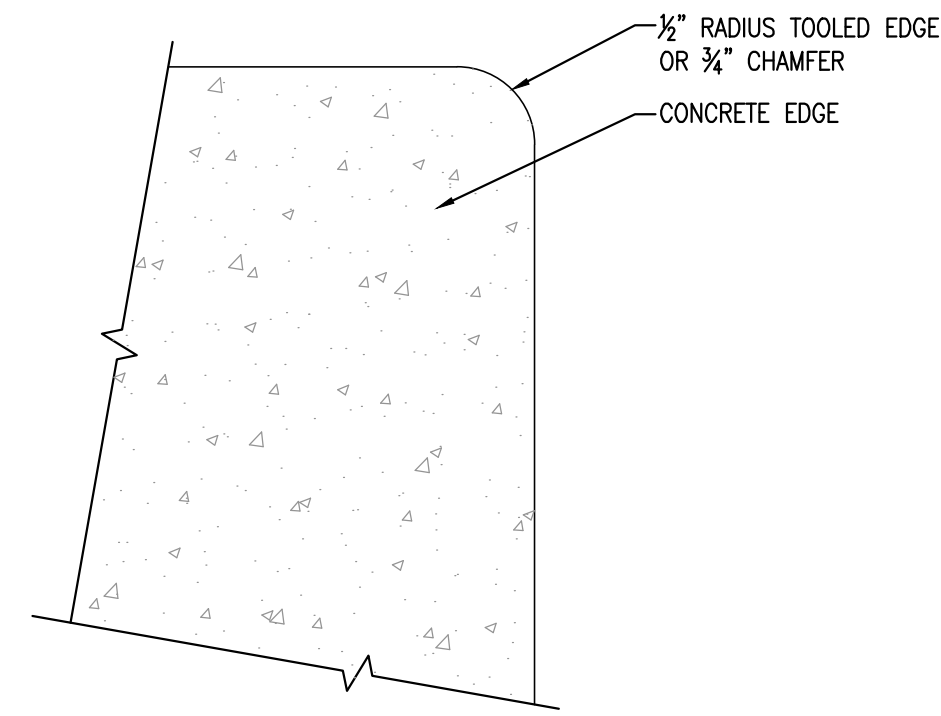
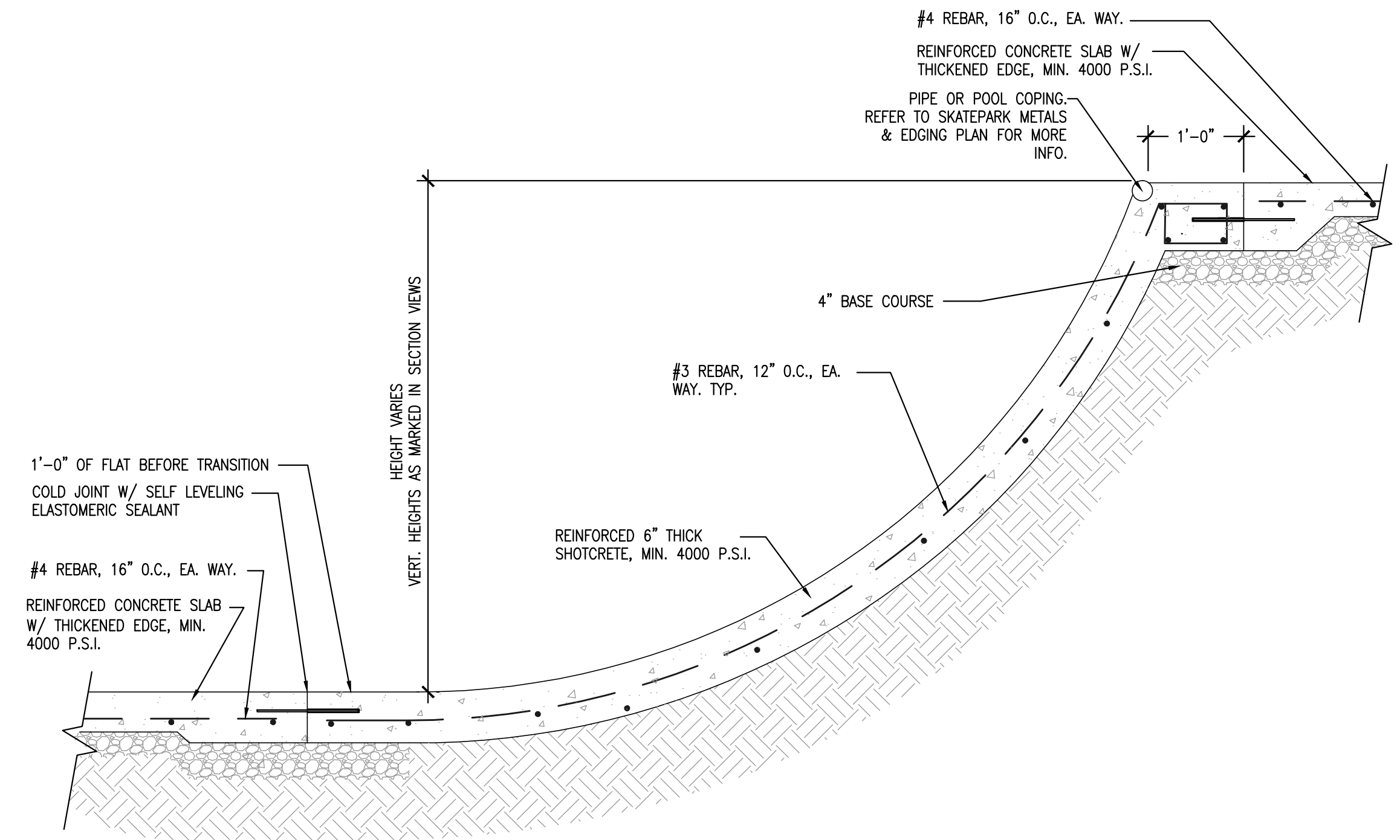


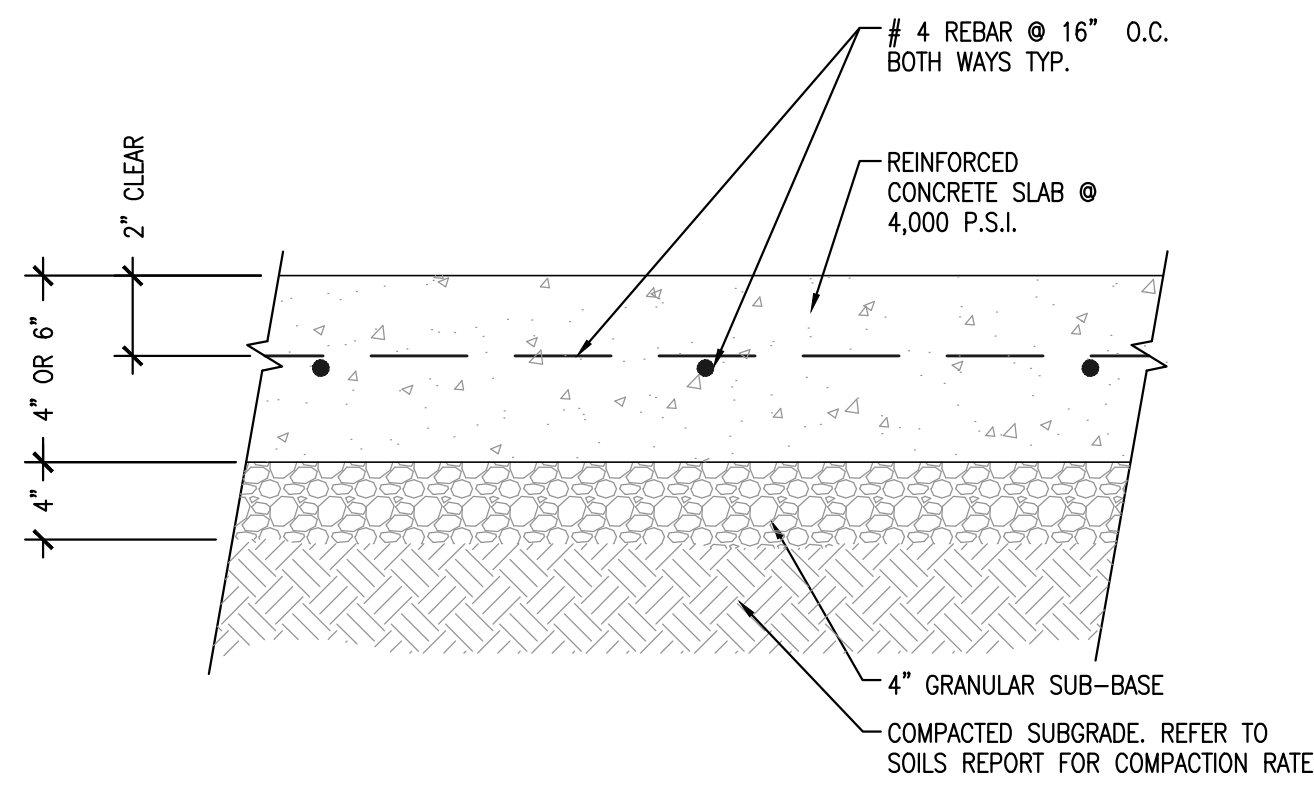
1 TYPICAL CONCRETE SKATEPARK BANK
Scale: NONE



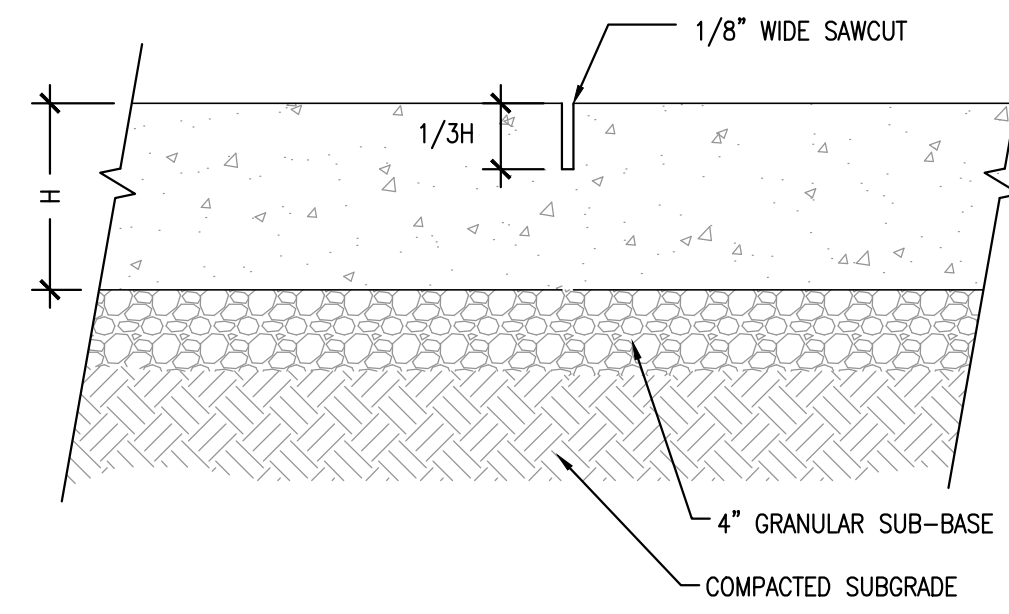
2 EXPOSED CONCRETE EDGE
Scale: NONE



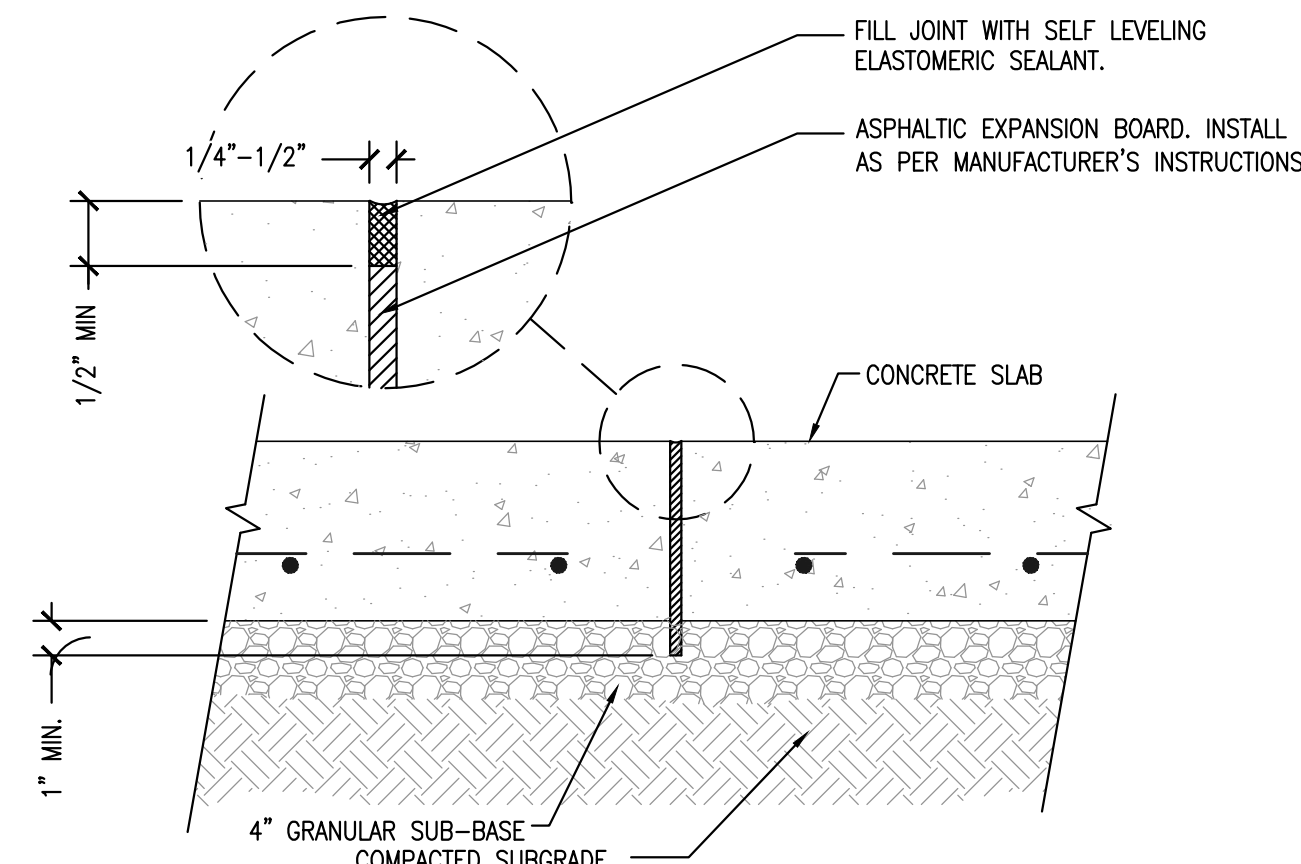
3 TYPICAL SHOTCRETE QUARTERPIPE
Scale: NONE



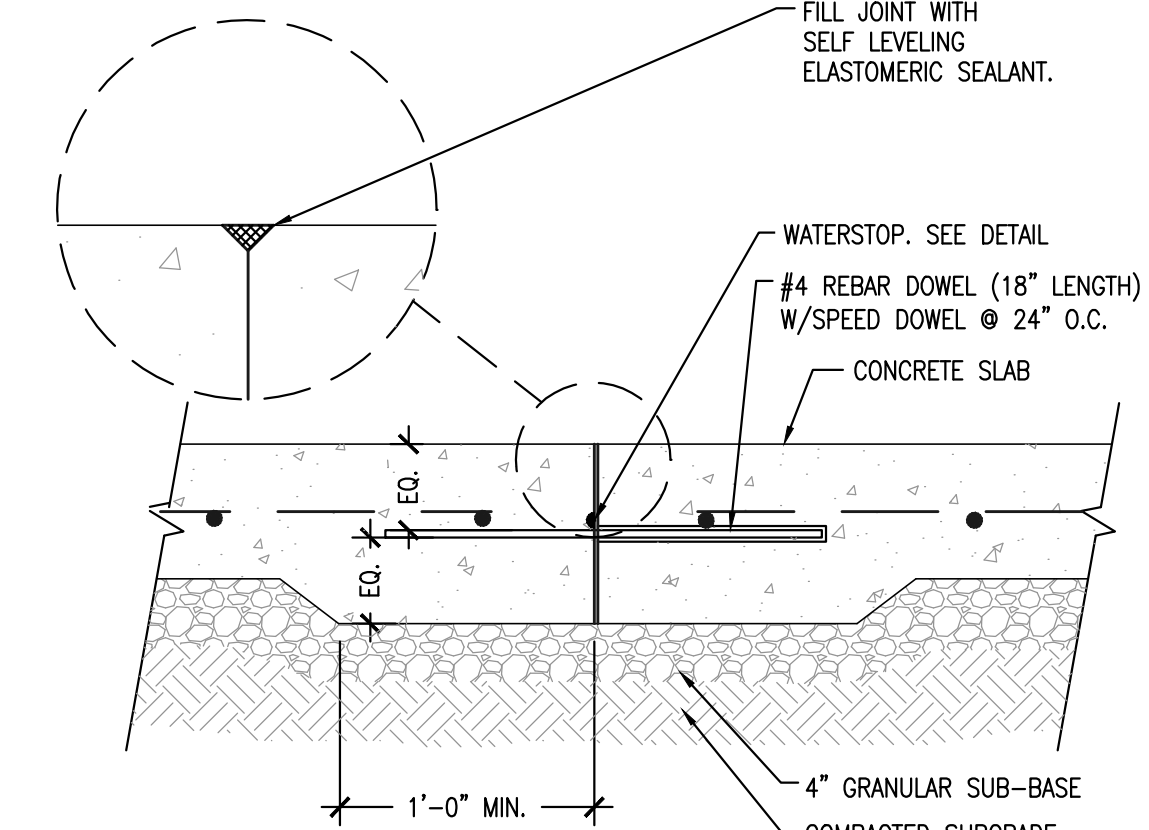
4 SKATEPARK CONCRETE SLAB
Scale: NONE



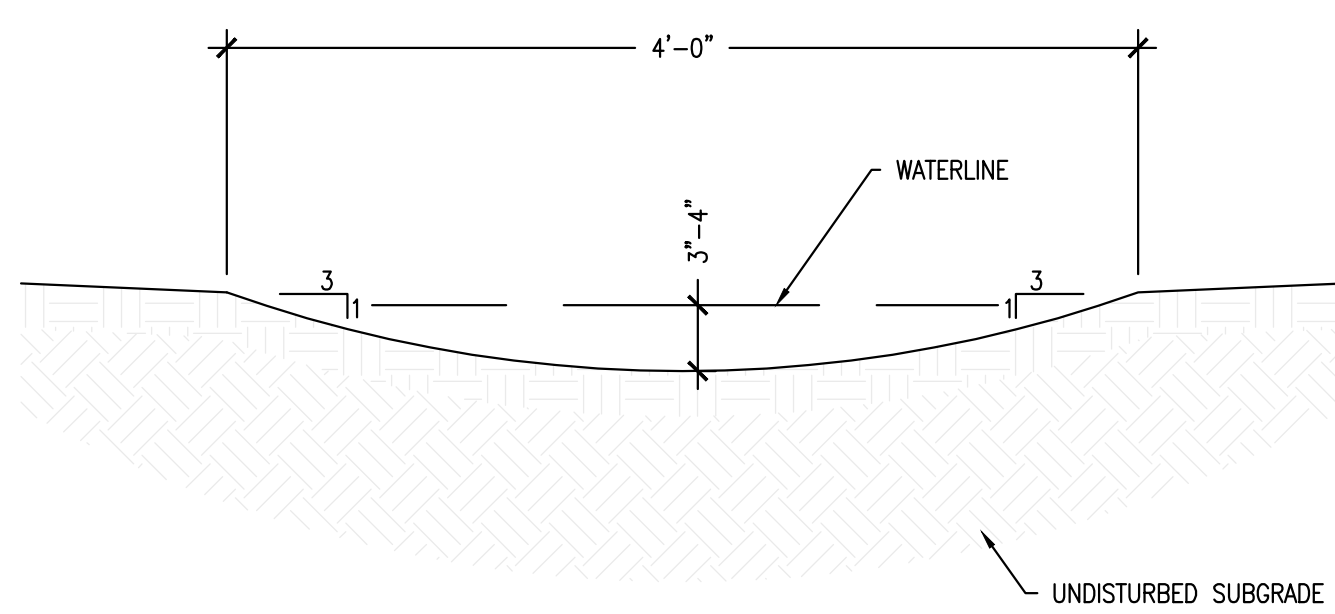
5 1/8" SAW-CUT JOINT
Scale: NONE



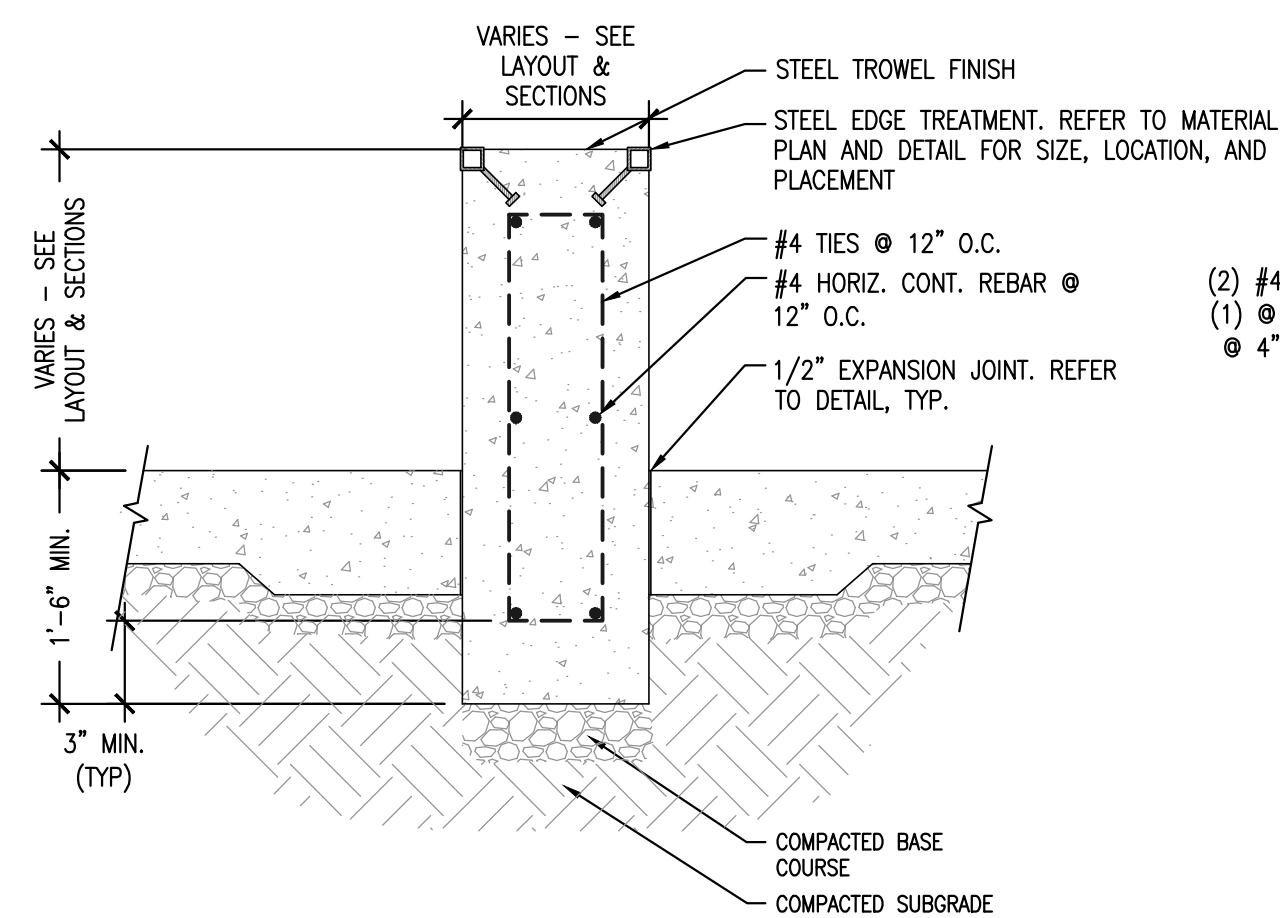
6 EXPANSION JOINT
Scale: NONE



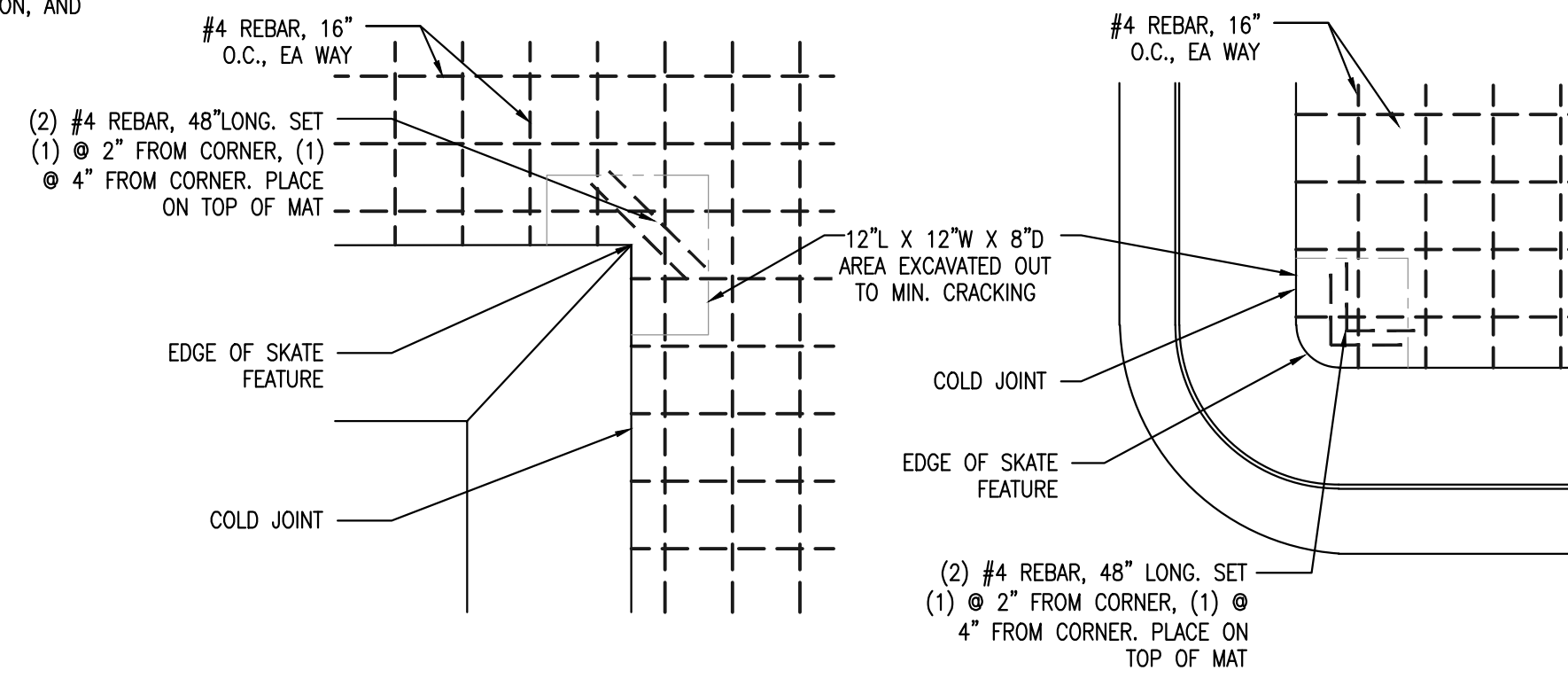
7 COLD JOINT
Scale: NONE



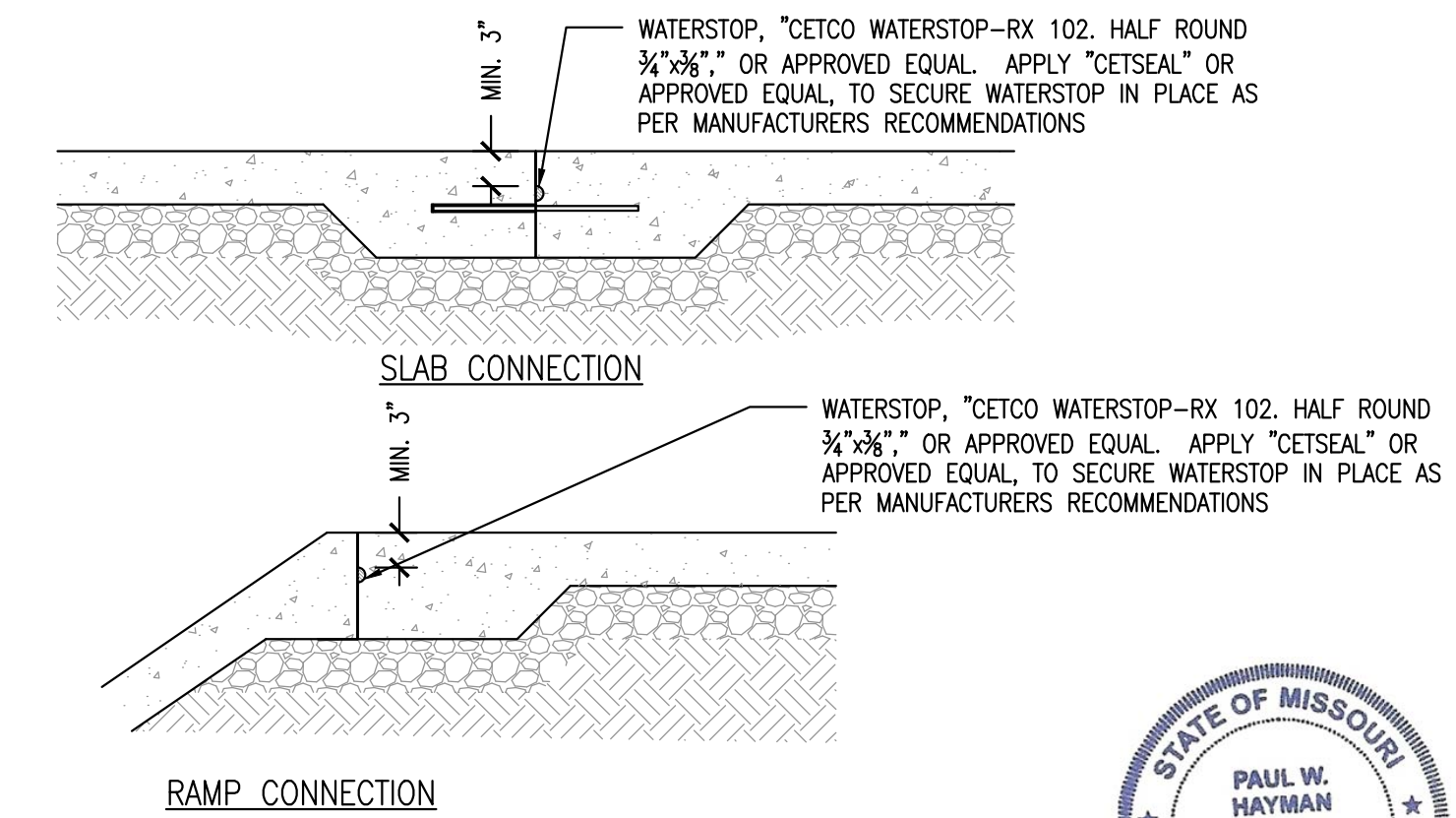
8 TYP. TURF SWALE
Scale: NONE



9 GRIND LEDGE/BENCH IN DECK
Scale: NONE



10 CONCRETE EDGE REINFORCEMENT
Scale: NONE



11 WATERSTOP DETAIL
Scale: NONE



REV	DESCRIPTION	DATE
1	ISSUE FOR CONSTRUCTION 02/14/12	
2		
3		
4		

FARDCORE
SHOTCRETE SKATEPARKS INC.
SKATE RAMP OWNED/OPERATED SINCE 2001

DETAILS
WESTHOFF PARK SKATEPARK
O'FALLON, MISSOURI

Drawn By: **J. HETHMON**
Approved By: **N. BEMO**
Scale: **AS NOTED**
Project No: **11-115**
Drawing No: **SP-5**