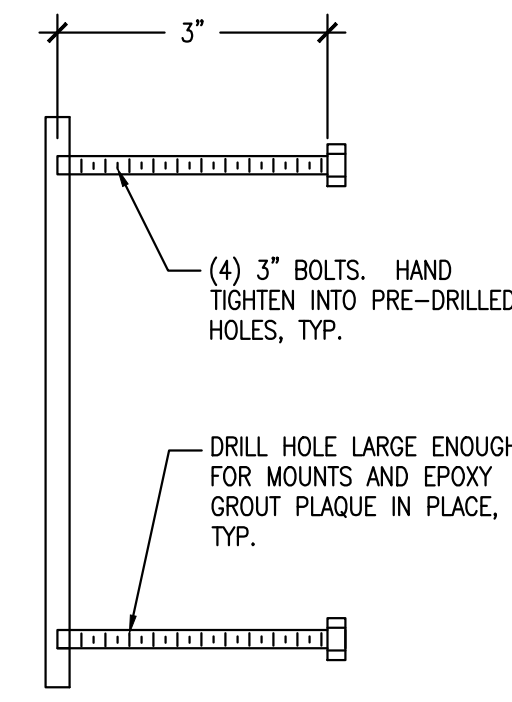




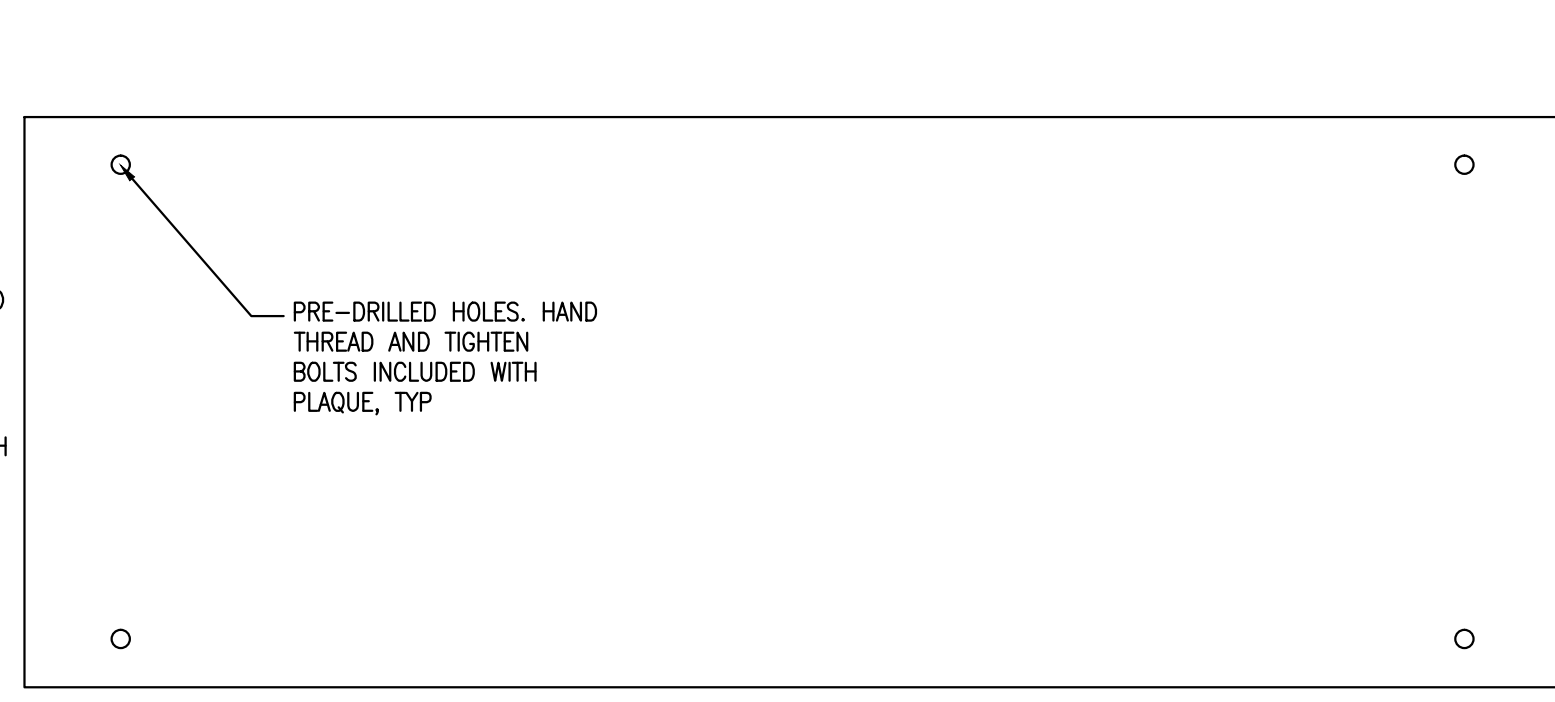
FRONT VIEW

PRE-MANUFACTURED METAL PLAQUE, PROVIDED BY HARDCORE SKATEPARKS. FRONT OF PLAQUE TO BE MASKED OFF PRIOR TO INSTALLATION.

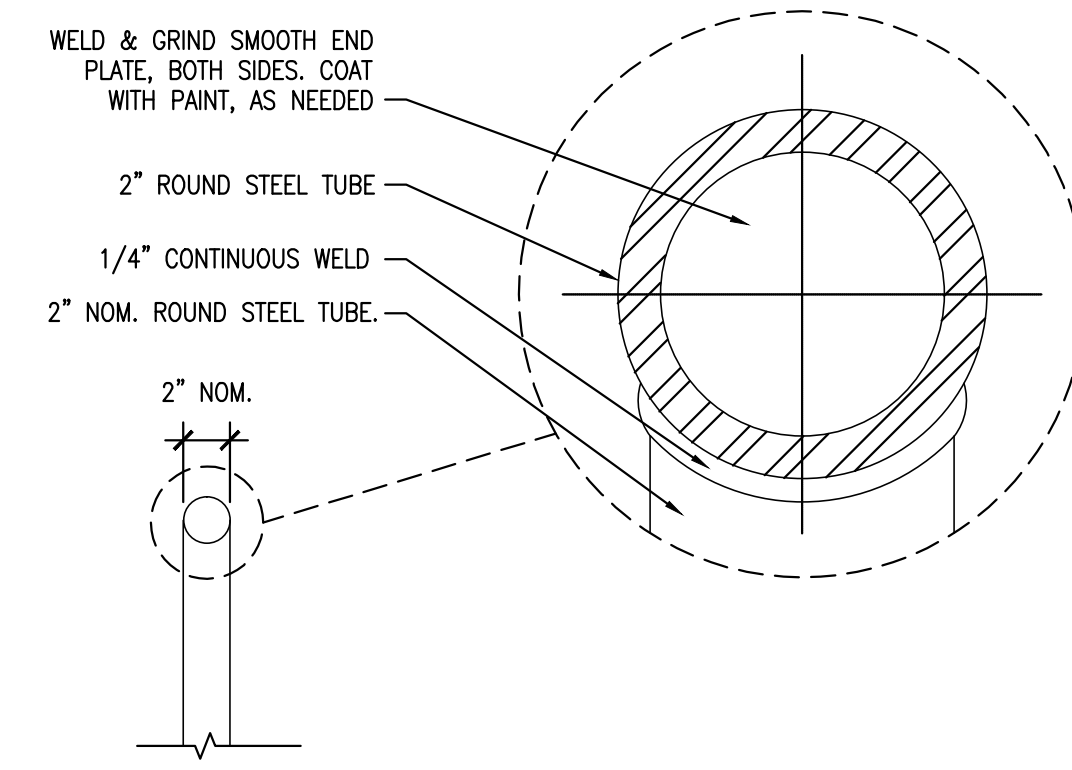
INSERT PLAQUE INTO CONCRETE AS SHOWN ON PLAN. PLAQUE TO SIT FLUSH IN CONCRETE.



SIDE VIEW

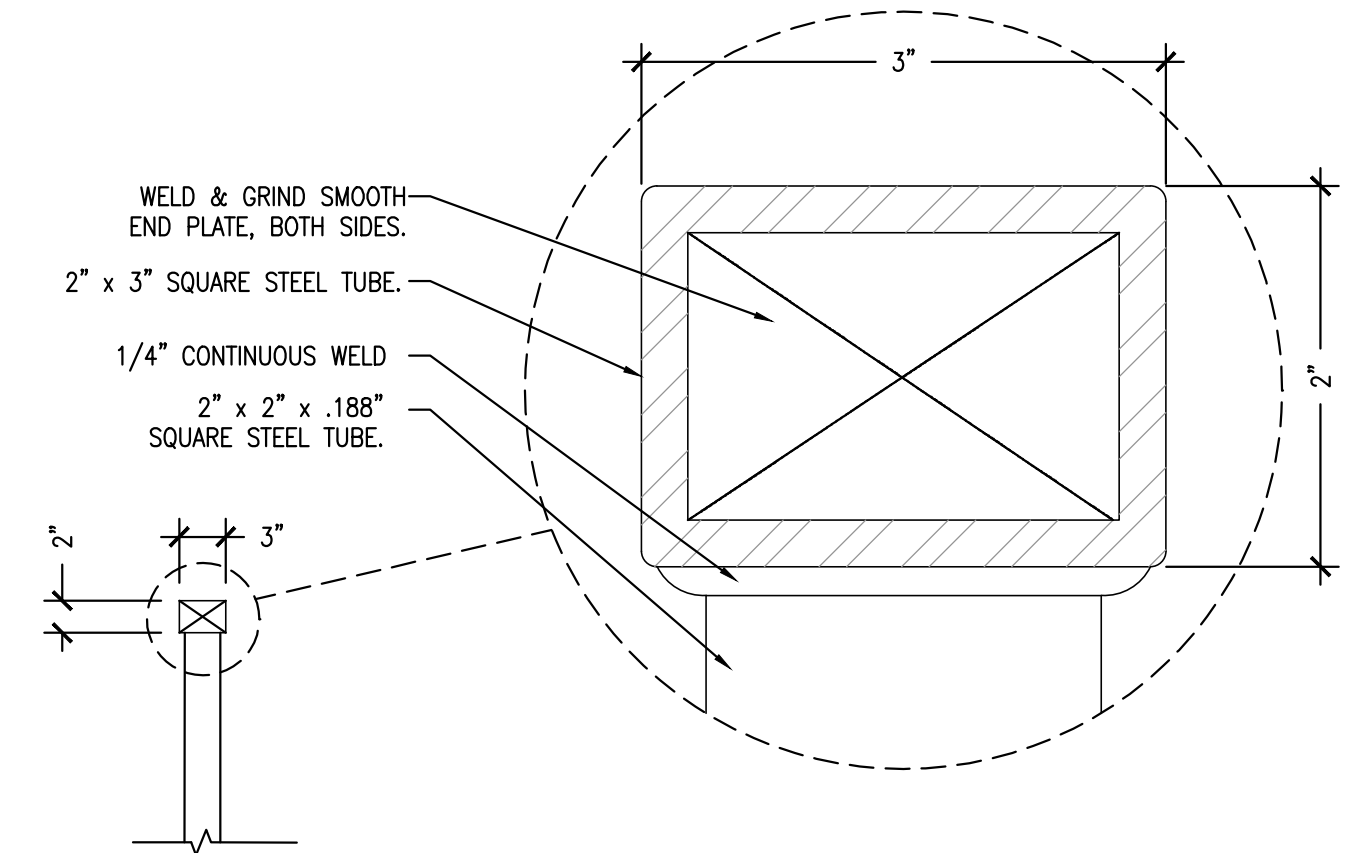


BACK VIEW

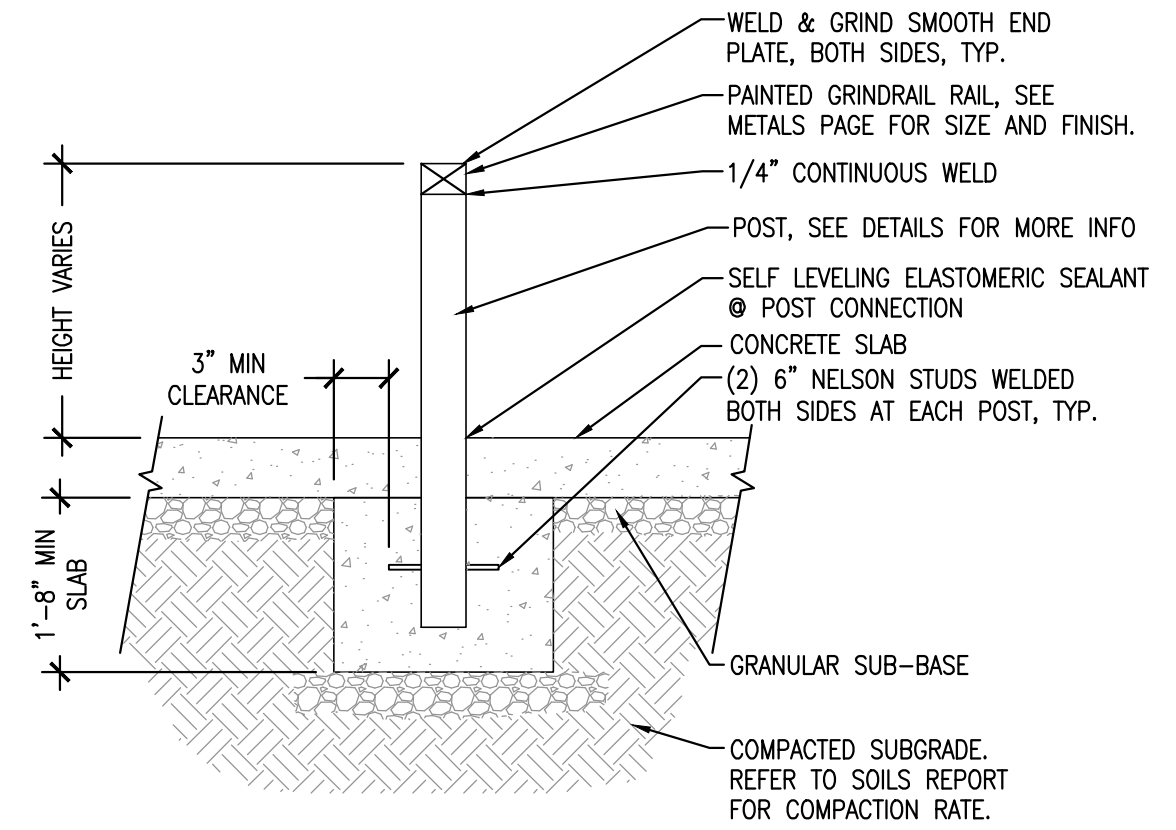


2 2" ROUND STEEL TUBE
Scale: NONE

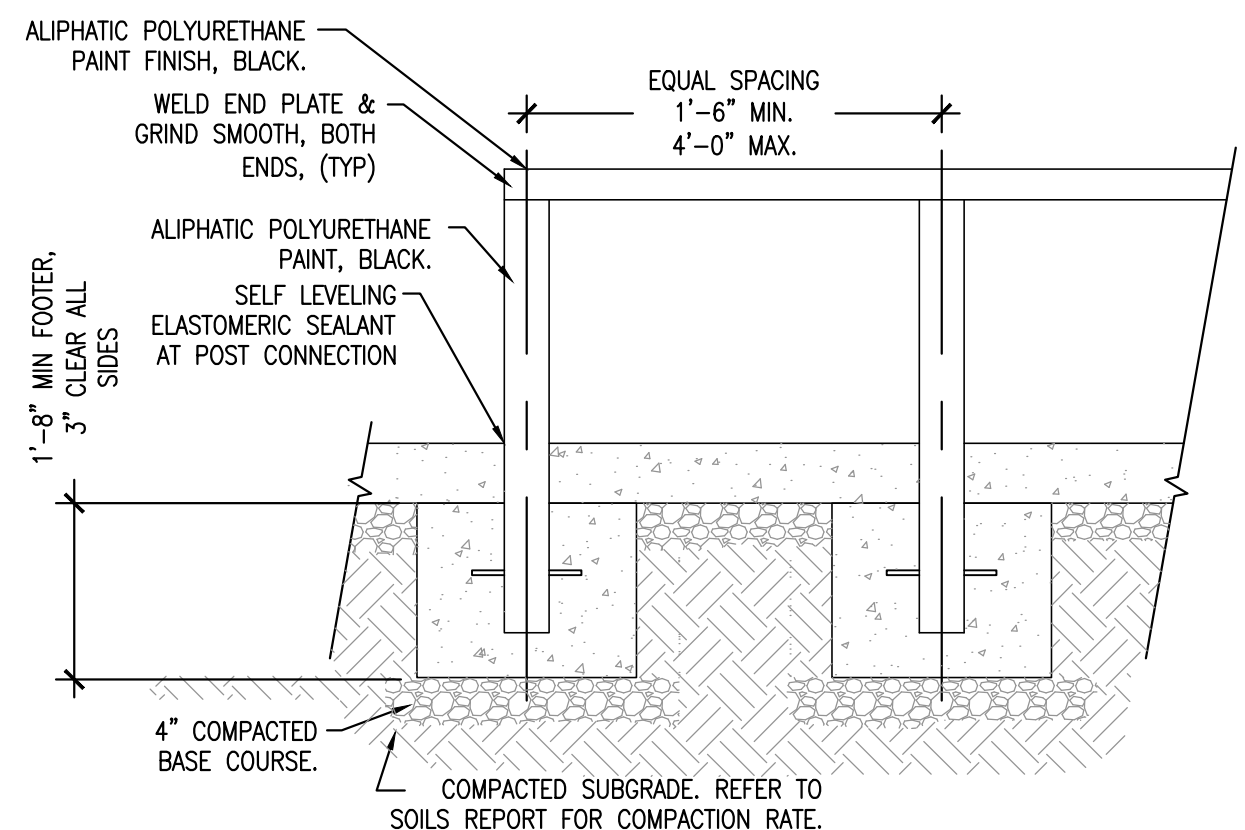
1 "HARDCORE SKATEPARKS" INSET PLAQUE
Scale: NONE



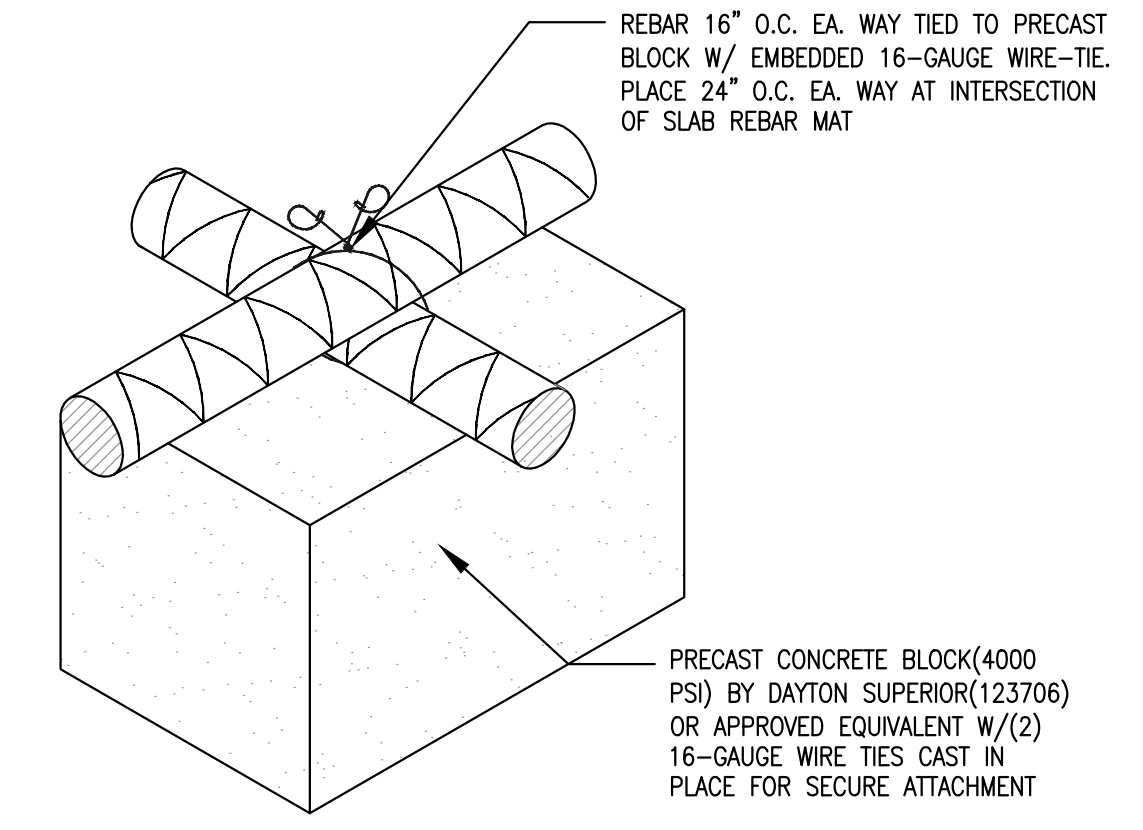
3 2"X3" STEEL TUBE RAIL
Scale: NONE



4 GRIND RAIL
Scale: NONE



5 TYPICAL RAIL & FOOTING DETAIL
Scale: NONE



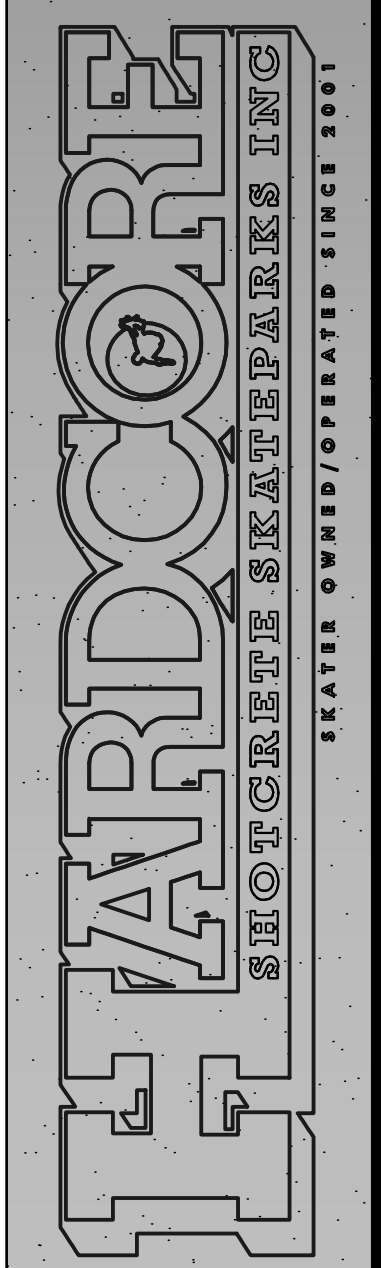
6 PRECAST REBAR SUPPORT BLOCK DETAIL
Scale: NONE



2/17/12

REV	DESCRIPTION	DATE
1	ISSUE FOR CONSTRUCTION	02/14/12
2		
3		
4		

THIS DOCUMENT IS THE PROPERTY OF HARDCORE SKATEPARKS AND CONTAINS PROPRIETARY INFORMATION OF THE COMPANY. REPRODUCTION OR TRANSMISSION OF THIS DOCUMENT WITHOUT PRIOR WRITTEN CONSENT FROM THE COMPANY.



DETAILS
WESTHOFF PARK SKATEPARK
O'FALLON, MISSOURI

Drawn By: J. HETHMON
Approved By: N. BEMO
Scale: AS NOTED
Project No: 11-115
Drawing No:

SP-5B

DETAILS