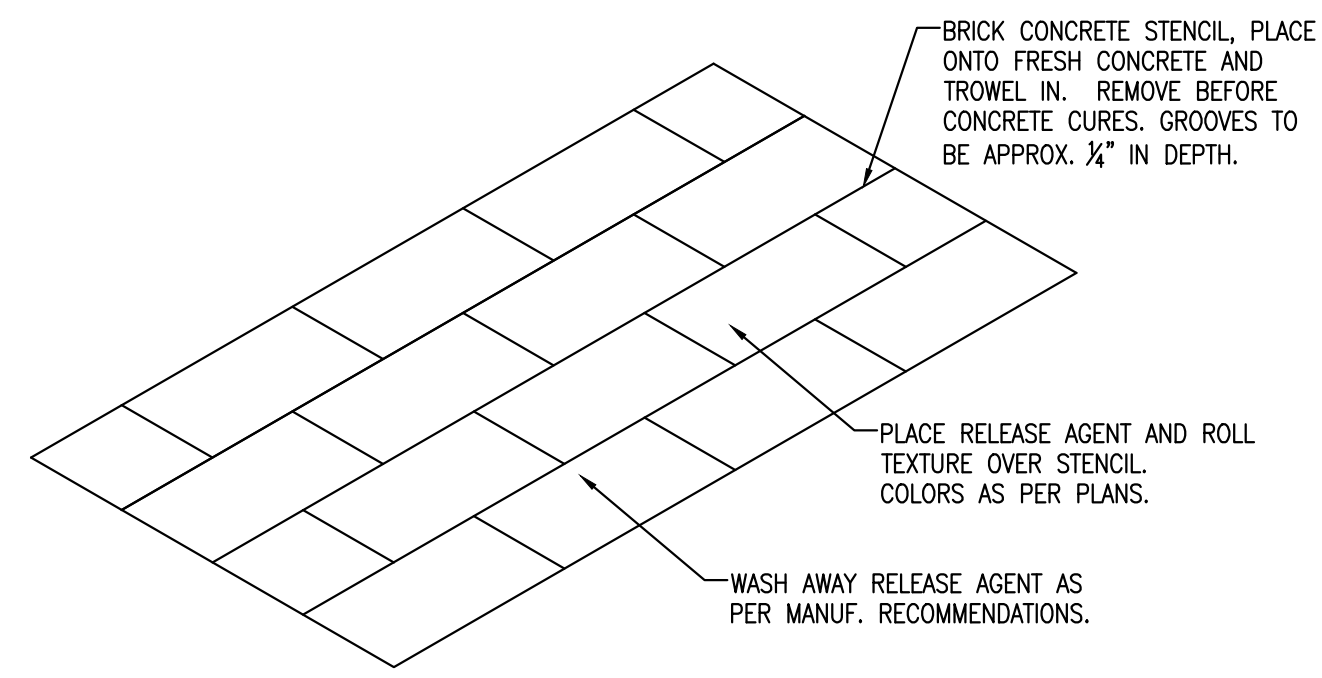
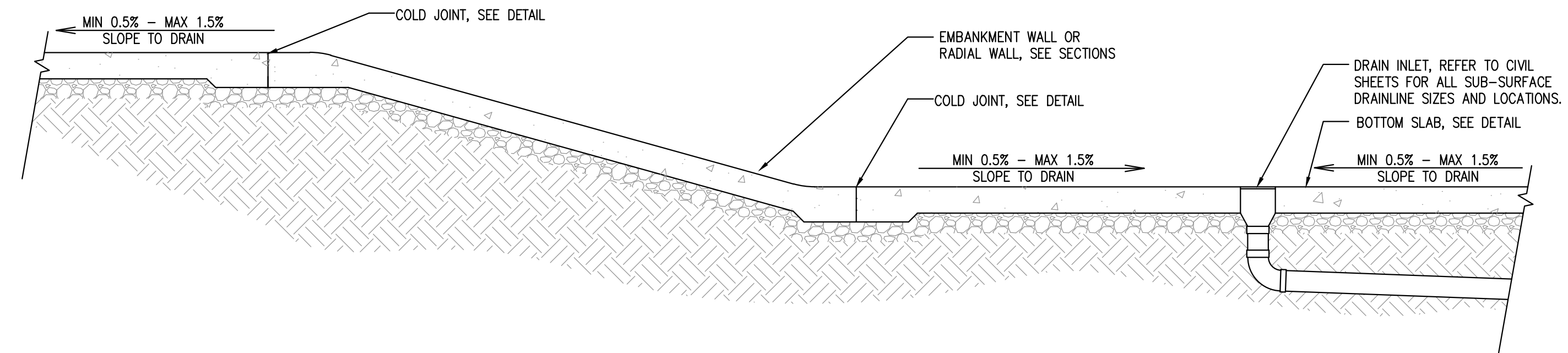


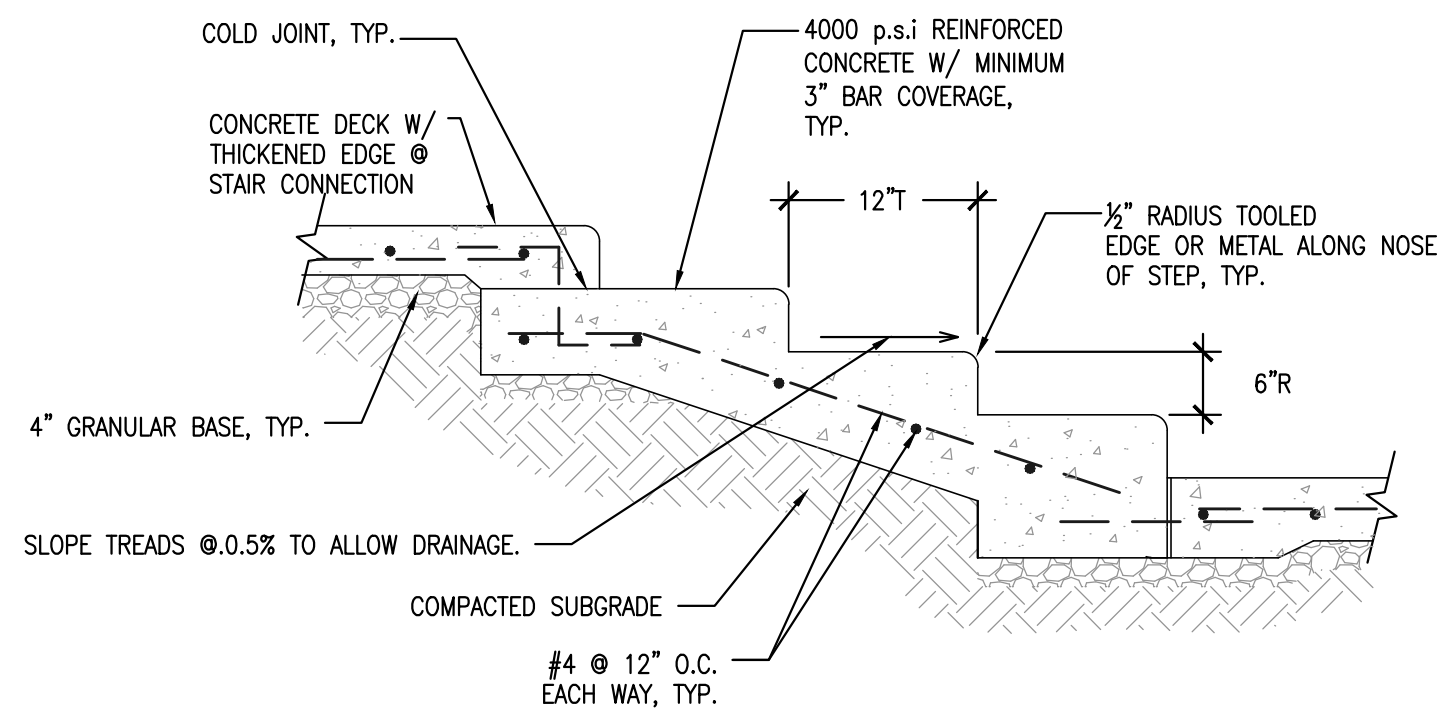
1 CONSTRUCTION EXIT  
Scale: NONE



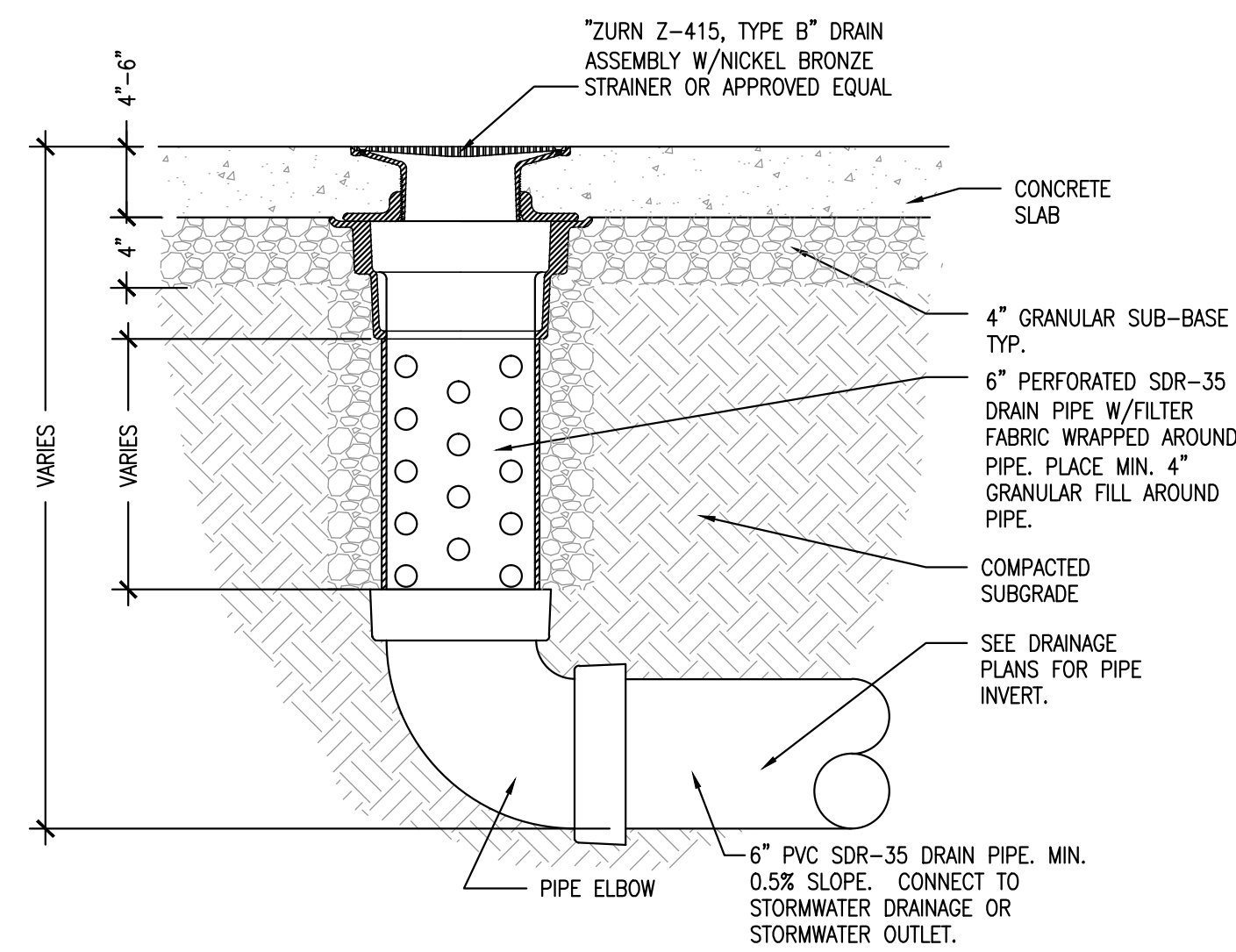
2 CONCRETE STENCIL  
Scale: NONE



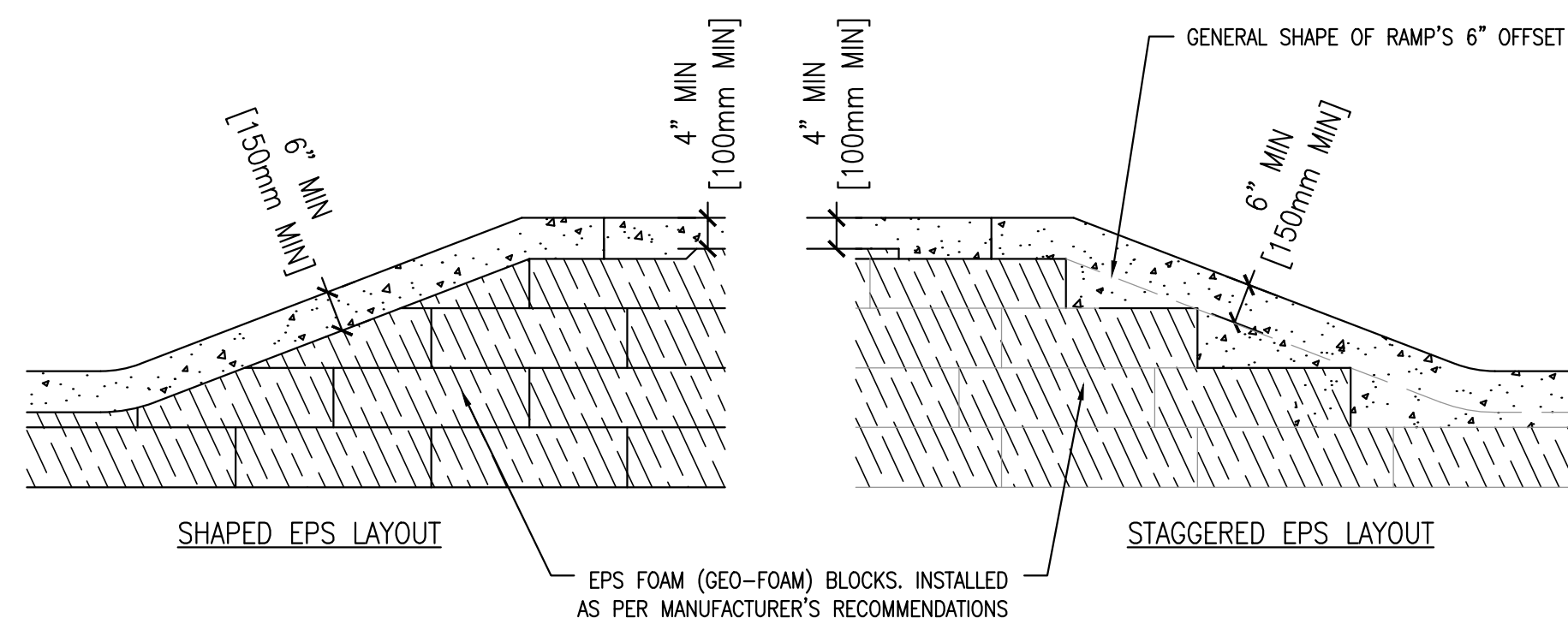
3 TYP. GRADING DRAINAGE  
Scale: NONE



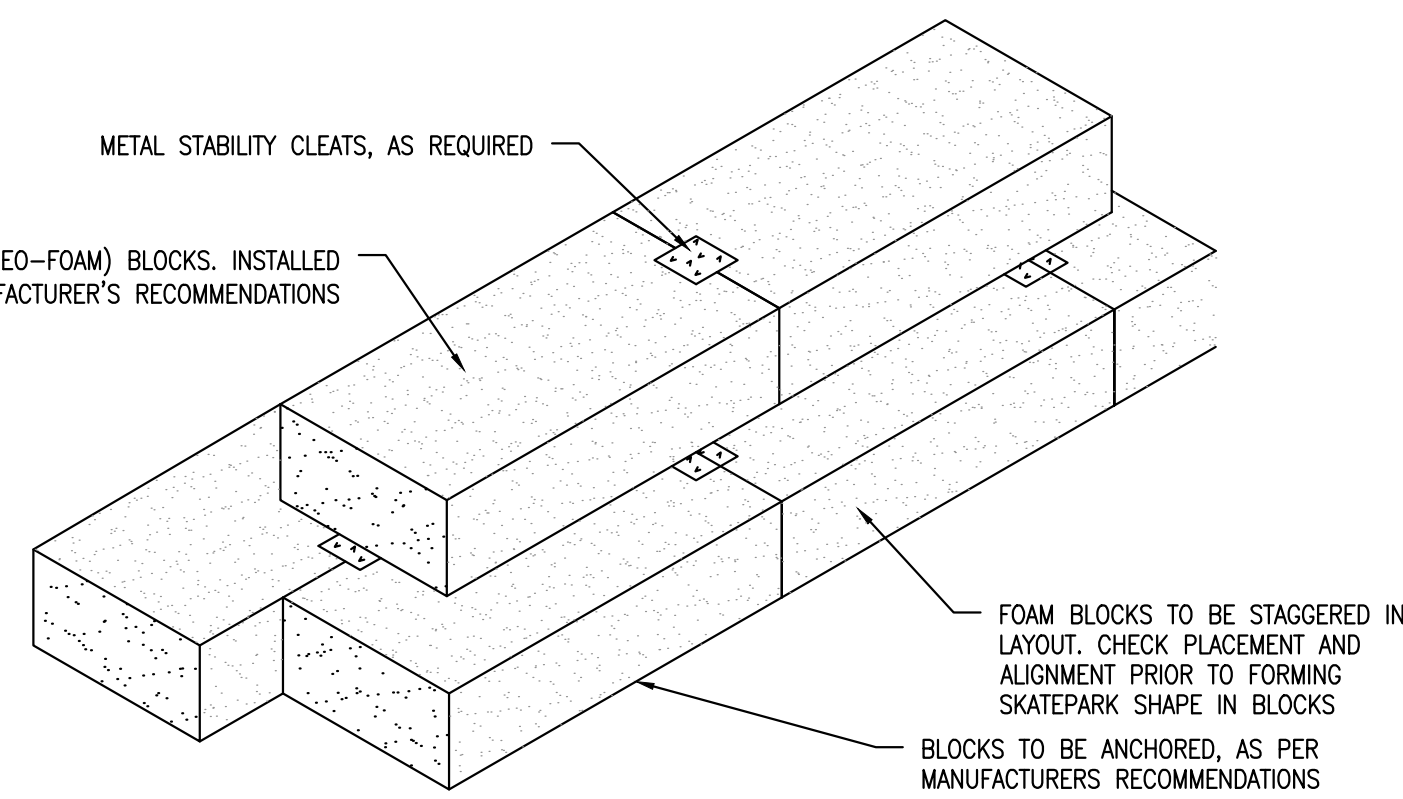
4 POURED STAIR SET DETAIL  
Scale: NONE



5 TYP. SLAB DRAIN  
Scale: NONE



8 EPS-22 FOAM (GEO-FOAM) PARK SHAPING  
Scale: NONE



9 EPS-22 FOAM (GEO-FOAM) BLOCKS  
Scale: NONE



2/17/12

REV	DESCRIPTION	DATE
1	ISSUE FOR CONSTRUCTION	02/14/12
2		
3		
4		

THIS DOCUMENT IS THE PROPERTY OF HARDCORE SKATEPARKS AND CONTAINS PROPRIETARY INFORMATION OF THE COMPANY. IT IS TO BE USED ONLY FOR THE PROJECT AND WITHOUT REPRODUCTION OR DISSEMINATION WITHOUT THE WRITTEN CONSENT FROM THE COMPANY.

**HARDCORE**  
SKATEPARKS INC.  
SKATEPARKS SINCE 2001

DETAILS  
WESTHOFF PARK SKATEPARK  
O'FALLON, MISSOURI

Drawn By: J. HETHMON  
Approved By: N. BEMO  
Scale: AS NOTED  
Project No: 11-115  
Drawing No:

SP-5C