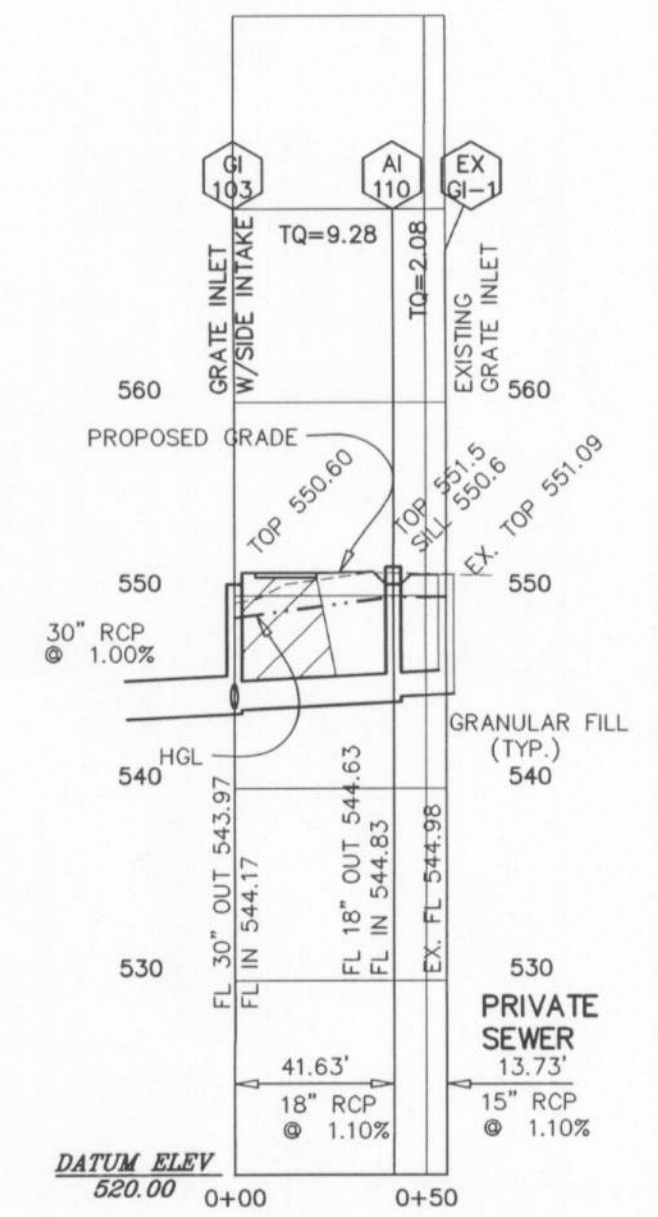


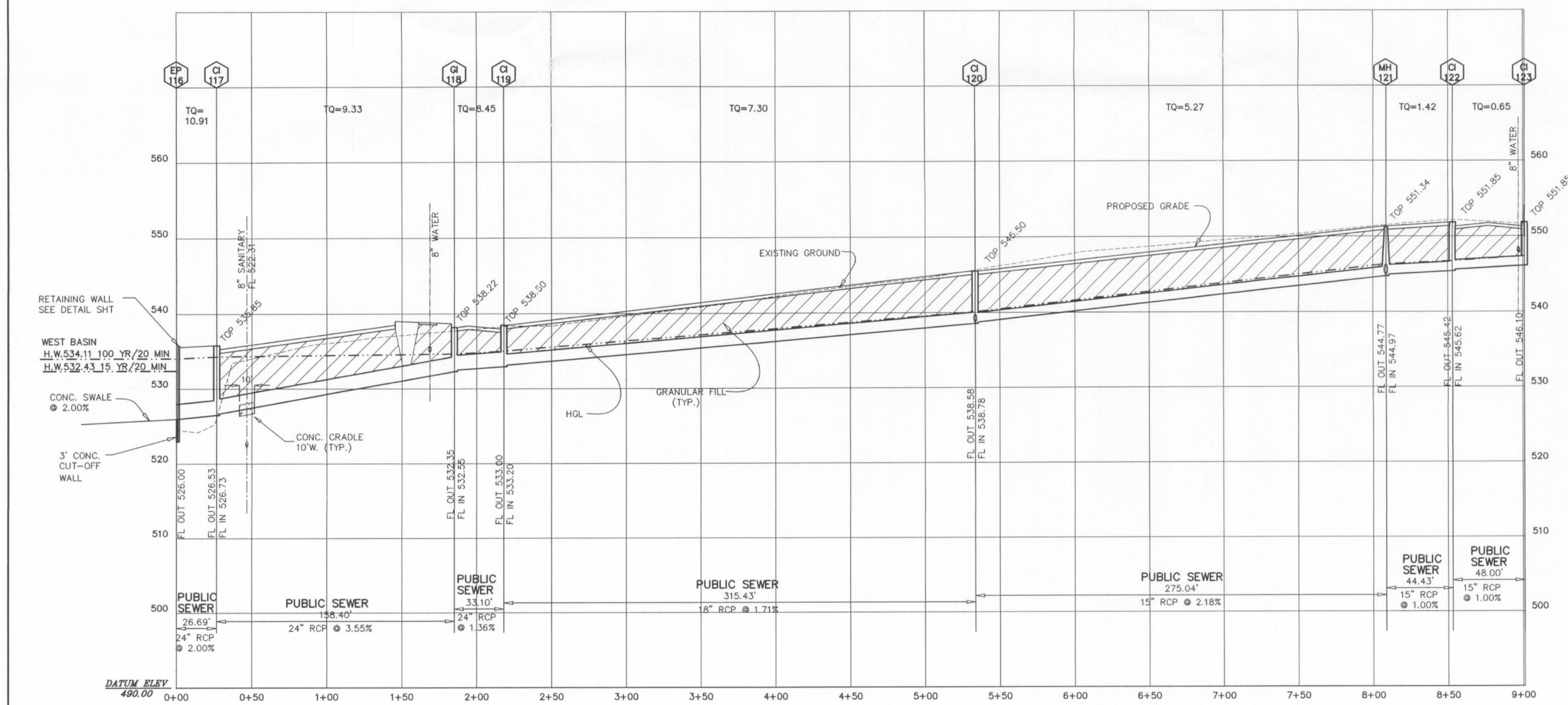
**EP 100 TO CI 109
 STORM SEWER PROFILES**

SCALE: 1"=50' HORIZ.
 1"=10' VERT.



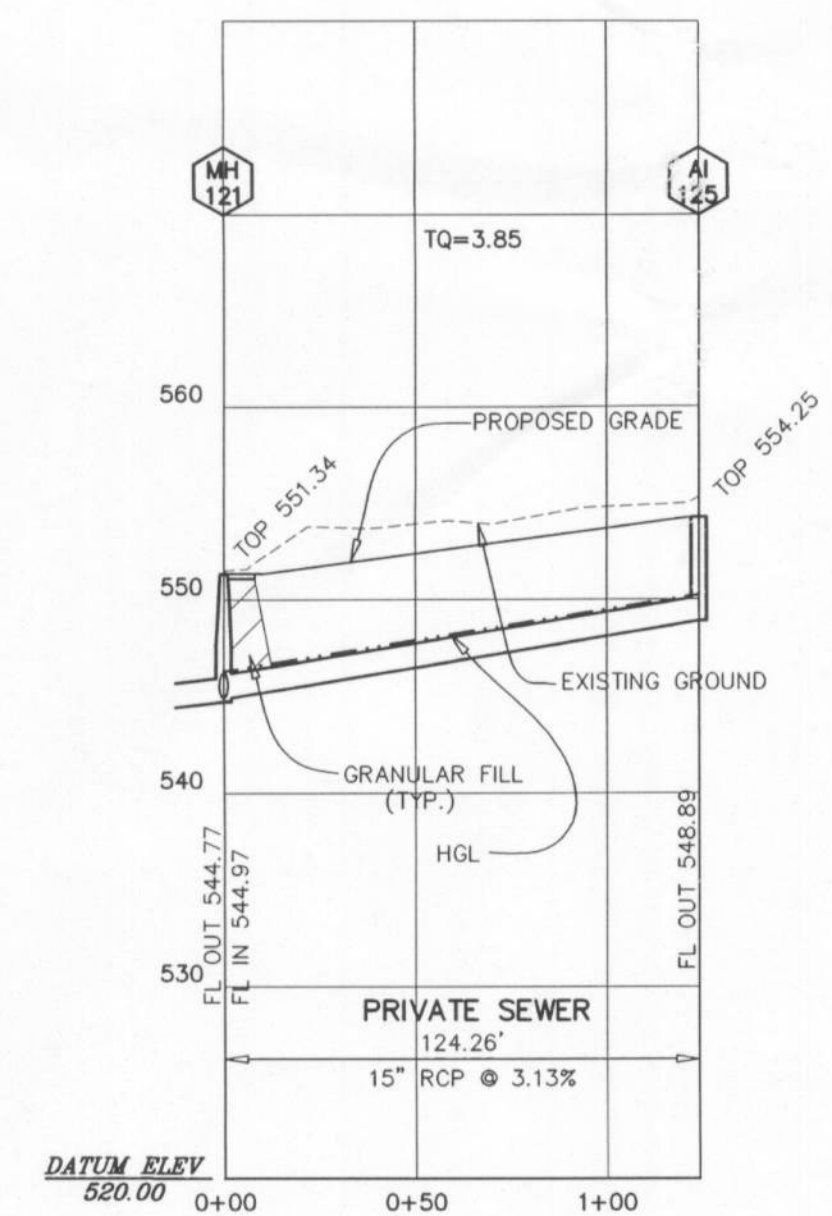
**CI 103 TO EX. GI 1
 STORM SEWER PROFILES**

SCALE: 1"=50' HORIZ.
 1"=10' VERT.



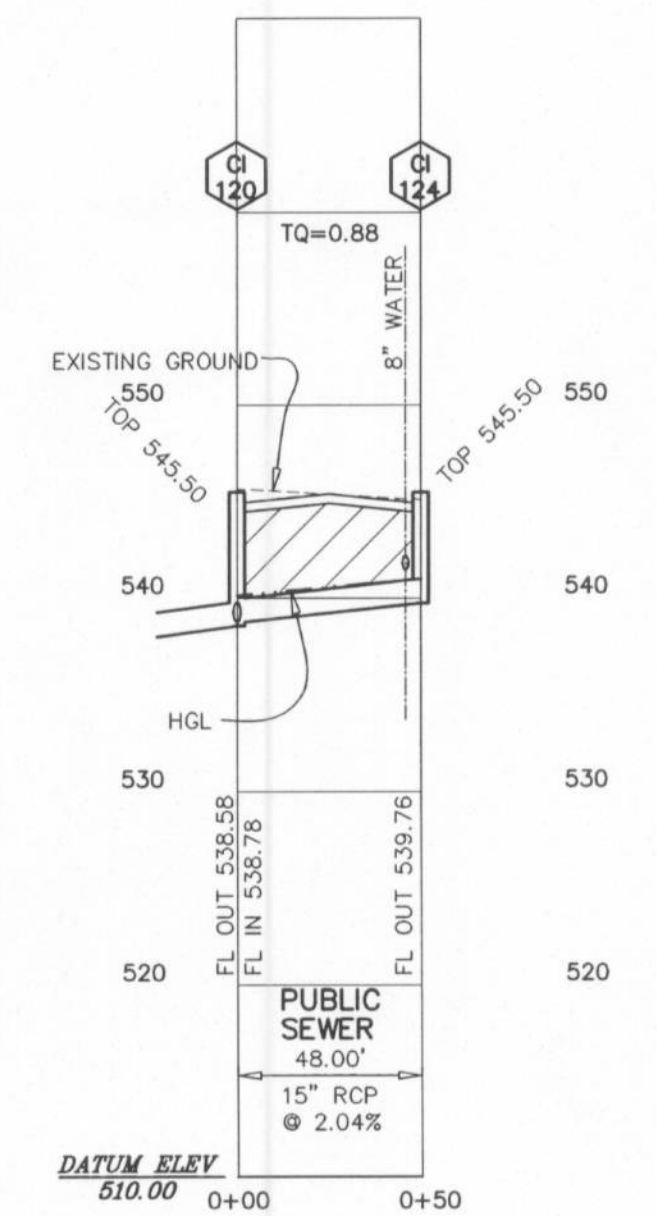
**EP 116 TO CI 123
 STORM SEWER PROFILES**

SCALE: 1"=50' HORIZ.
 1"=10' VERT.



**MH 121 TO AI 125
 STORM SEWER PROFILES**

SCALE: 1"=50' HORIZ.
 1"=10' VERT.



**CI 120 TO CI 124
 STORM SEWER PROFILES**

SCALE: 1"=50' HORIZ.
 1"=10' VERT.

ENGINEERS CERTIFICATION:
 The following applies to ALL sheets and documents involved in the preparation of the plans and documents for this project. The responsibility for Professional Engineering liability on this project is limited to the set of plans displaying the signature and an original stamped seal of the Engineer on each sheet. ALL responsibility is Disclaimed: until ALL review agency approvals are granted; for all other plan sheets issued prior to this issue date; for this set when another set is issued after this date; if the sheets are used individually instead of a set. This applies for ALL sheets and documents involved in this project whether this certification appears on it or not. Copyright. All Rights Reserved.

ZAVRADINOS & ASSOCIATES, INC. DBA
 ZAVRADINOS ENGINEERING & SURVEYING
 STATE OF ILLINOIS
 PROFESSIONAL ENGINEERING
 STEVEN W. POLK
 NUMBER E-18668
 DATE 8/17/06

STORM SEWER PROFILES
 PLANNING & ZONING FILE NO. 2204.03