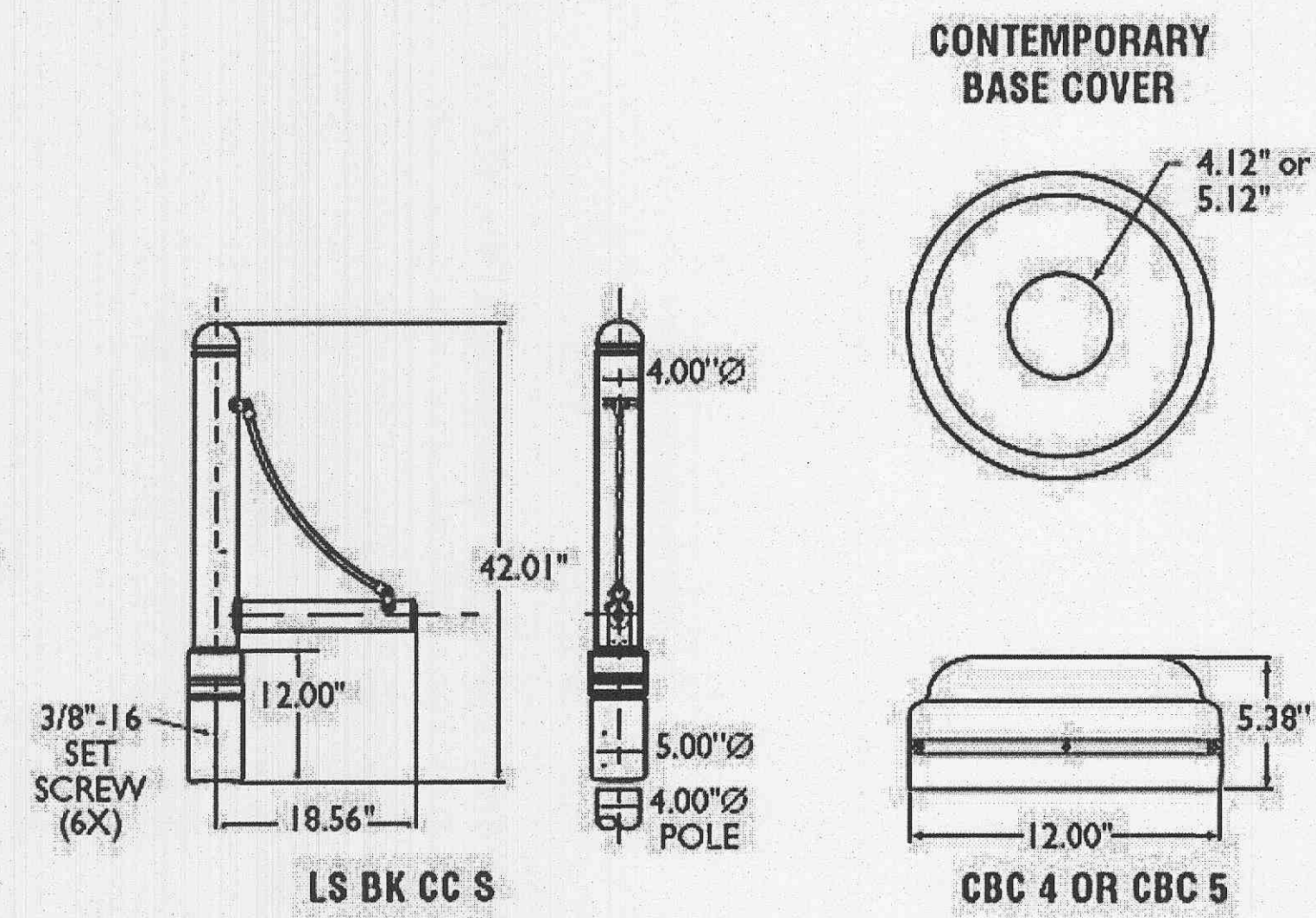
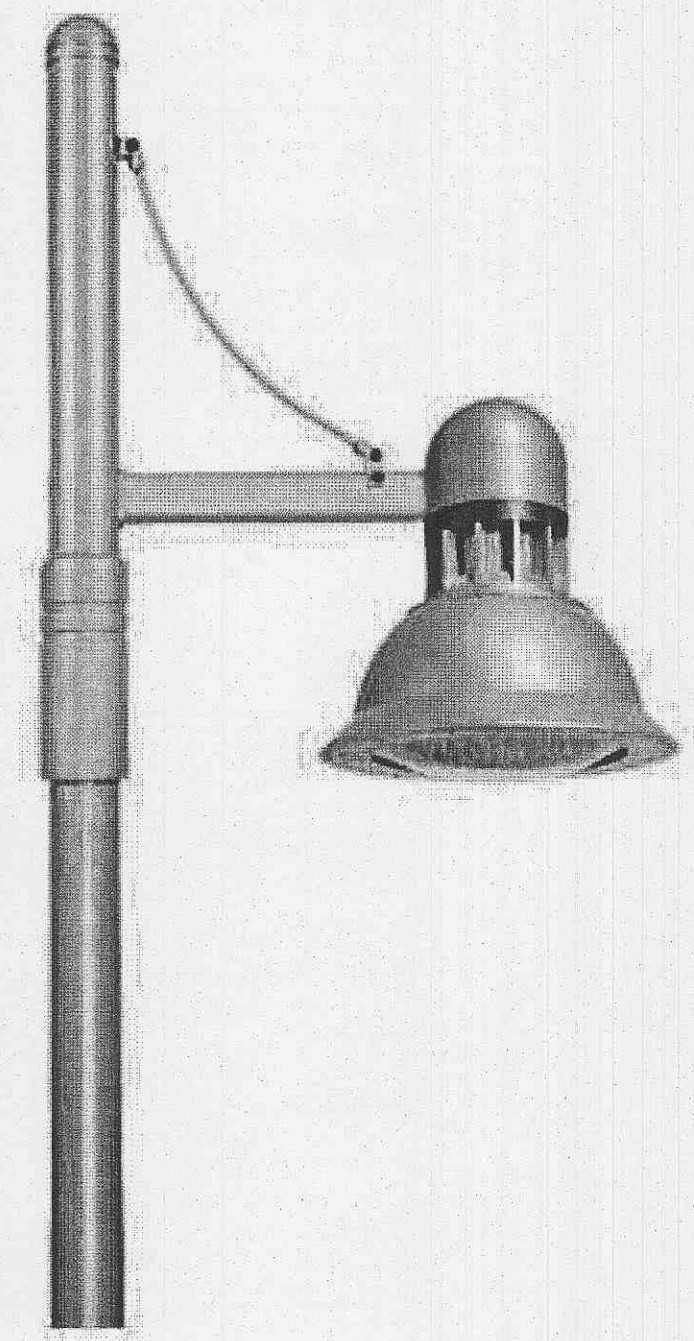


STATISTICS					
Description	Avg	Max	Min	Max/Min	Avg/Min
Ground Level	0.4 fc	3.5 fc	0.0 fc	N/A	N/A



LUMINAIRE SCHEDULE										
Symbol	Label	Qty	Catalog Number	Description	Lamp	File	Lumens	LLF	Watts	
●	A	1	LS-150-HPS-5-CT	LIFESTYLE	1- 150W HPS CLEAR BU (299)	LS-150-HPS-5-CT.IES	16000	0.65	190	
^	C	2	LS-150-HPS-3-CT	LIFESTYLE	1- 150W HPS CLEAR BU (299)	LS-150-HPS-3-CT.IES	16000	0.65	190	
●	D	5	LS-150-HPS-FP-CT	LIFESTYLE	1- 150W HPS CLEAR BU (299)	LS-150-HPS-FP-CT.IES	16000	0.65	190	
^	D-HSS	1	LS-150-HPS-FP-CT-HSS	LIFESTYLE W/ HOUSE SIDE SHIELD	1- 150W HPS CLEAR BU (299)	HR-FP-400-HPS-CT-HSS.IES	16000	0.65	190	
^	C-HSS	1	LS-150-HPS-3-CT-HSS	LIFESTYLE W/ HOUSE SIDE SHIELD	1- 150W HPS CLEAR BU (299)	HR-3-400-HPS-CT-HSS.IES	16000	0.65	190	

O'Fallon Station

Designer
REW
Date
Oct 18 2006
Scale

Drawing No.
1099B