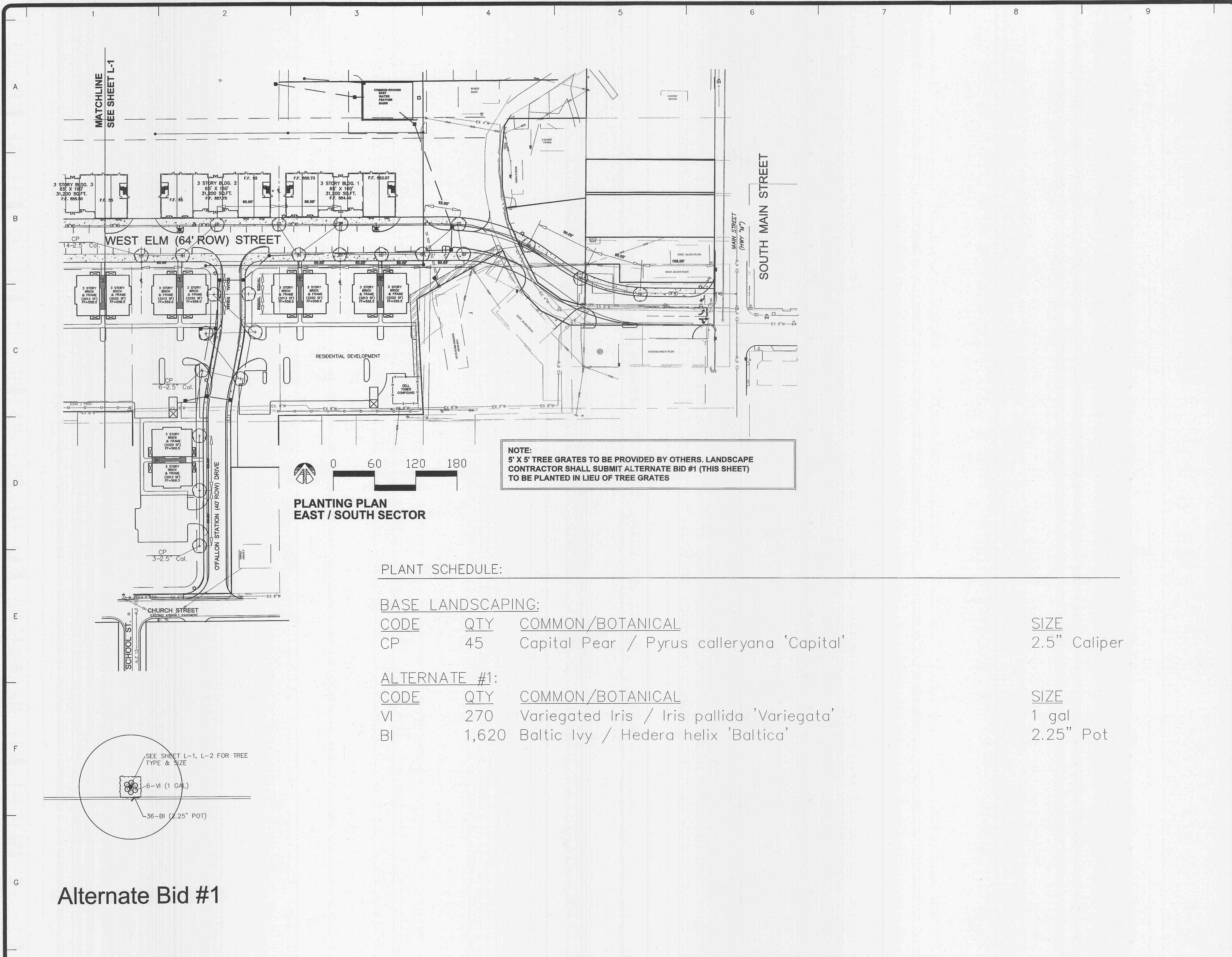


REVISIONS	BY

landscape
TECHNOLOGIES
(636) 928-1250
 67 Jacobs Creek Drive
 St. Charles, Missouri 63304
 Fax: (636) 928-4563

STREETSCAPE PLANTING PLAN FOR THE PROPOSED
O' Fallon Station
O' FALLON, MISSOURI

DRAWN	R. MARRIS
CHECKED	RWM
DATE	MARCH 28, 2006
SCALE	1"=60'
JOB NO.	2006-113
SHEET	L-2
OF TWO SHEETS	



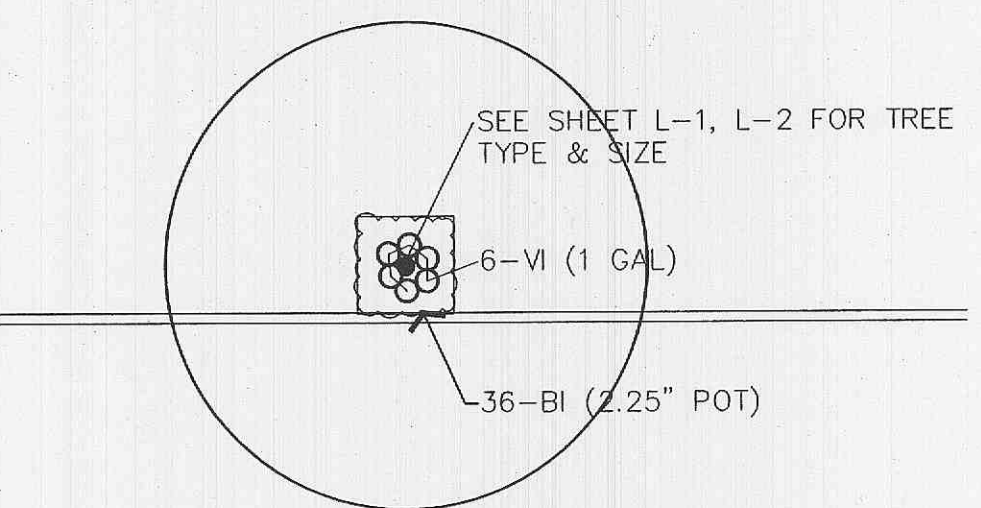
PLANT SCHEDULE:

BASE LANDSCAPING:

CODE	QTY	COMMON/BOTANICAL	SIZE
CP	45	Capital Pear / Pyrus calleryana 'Capital'	2.5" Caliper

ALTERNATE #1:

CODE	QTY	COMMON/BOTANICAL	SIZE
VI	270	Variegated Iris / Iris pallida 'Variegata'	1 gal
BI	1,620	Baltic Ivy / Hedera helix 'Baltica'	2.25" Pot



Alternate Bid #1