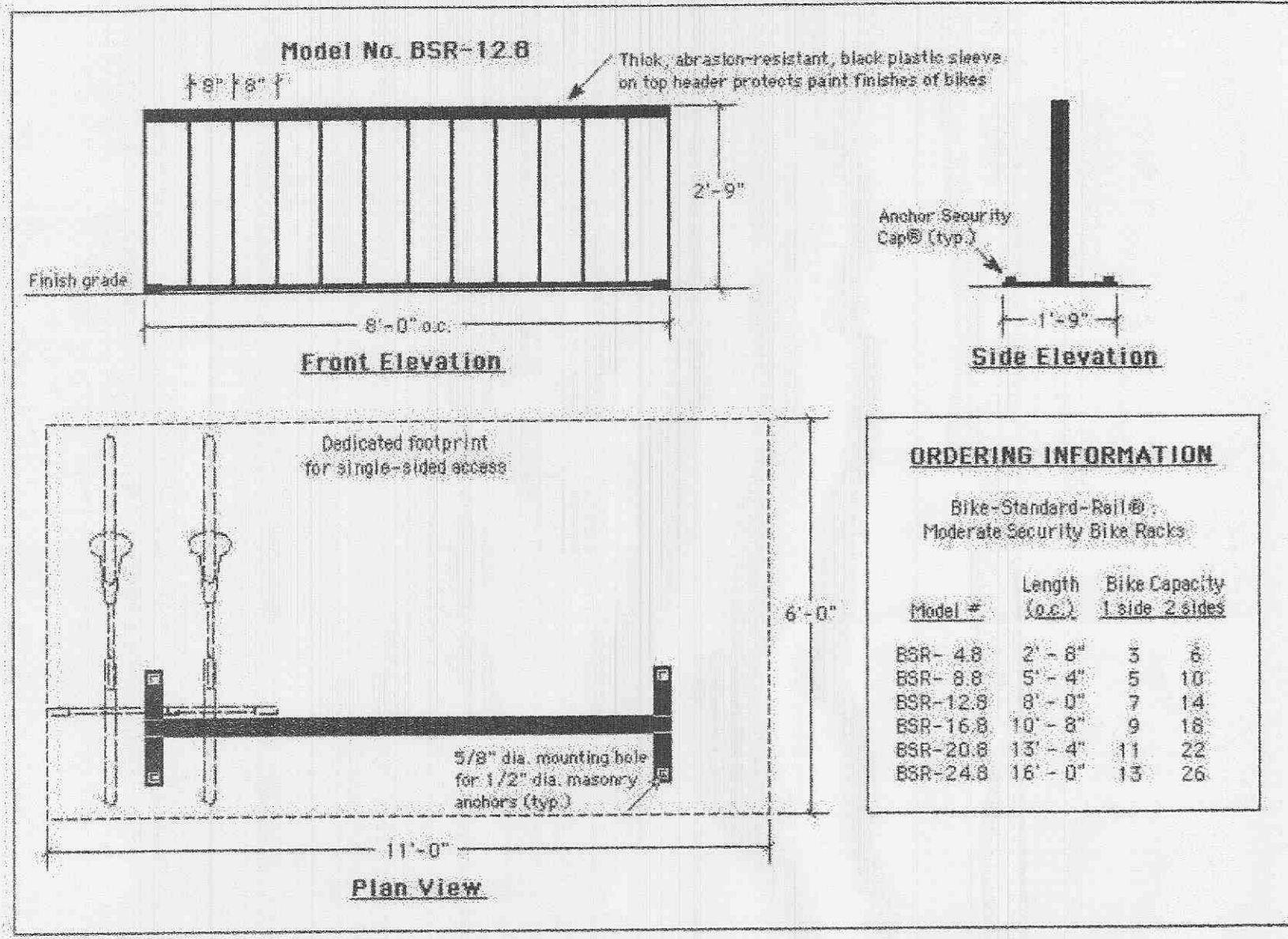


REVISIONS:  
03-19-04  
04-22-04  
04-29-04

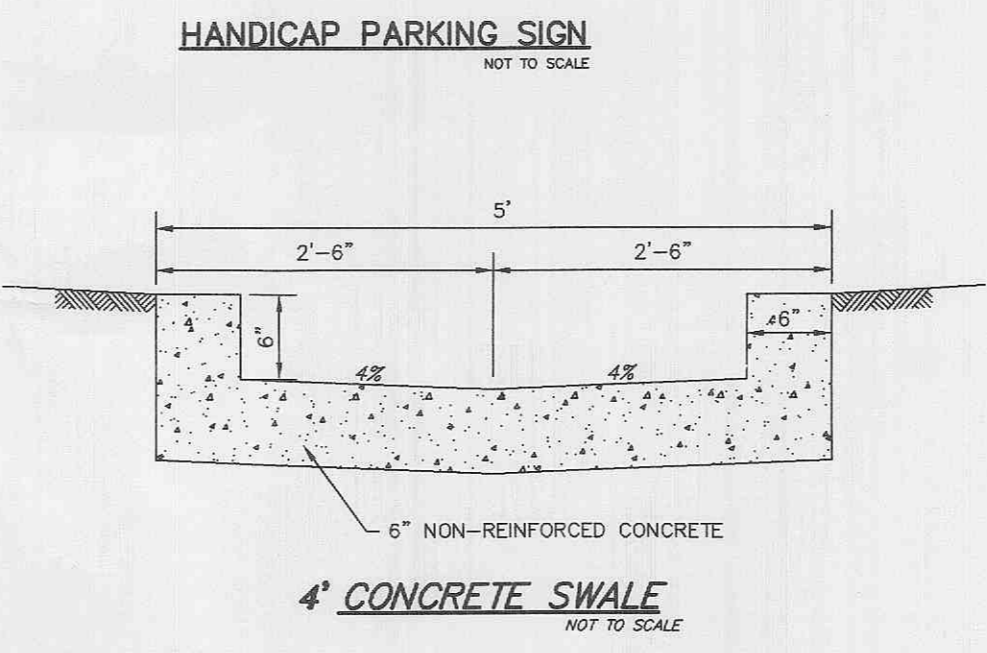
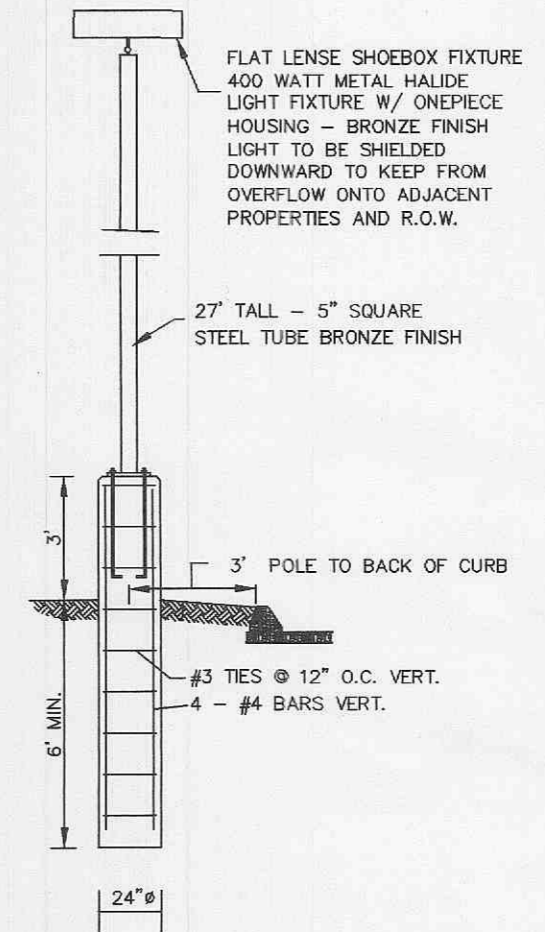
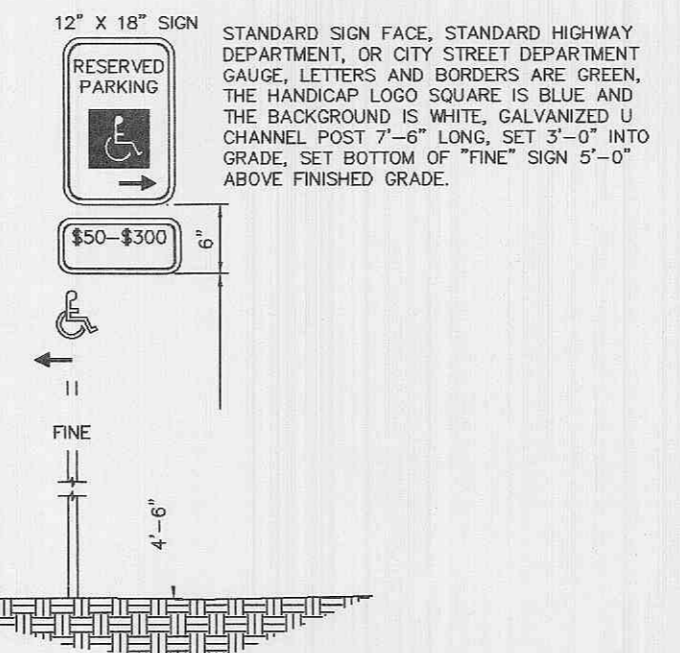
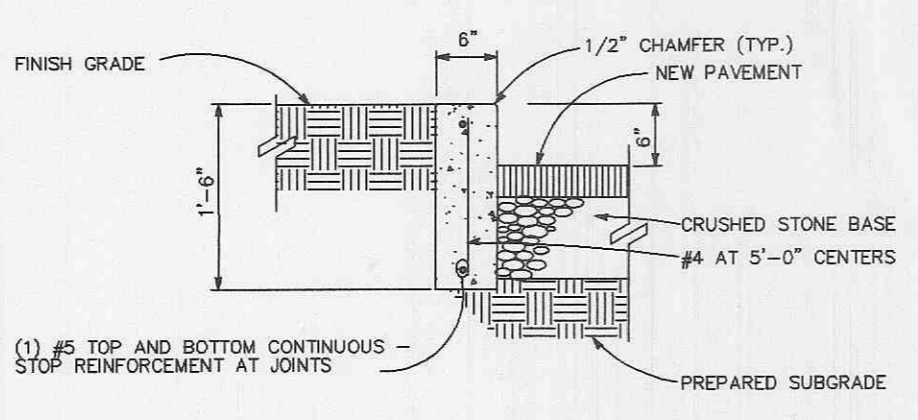
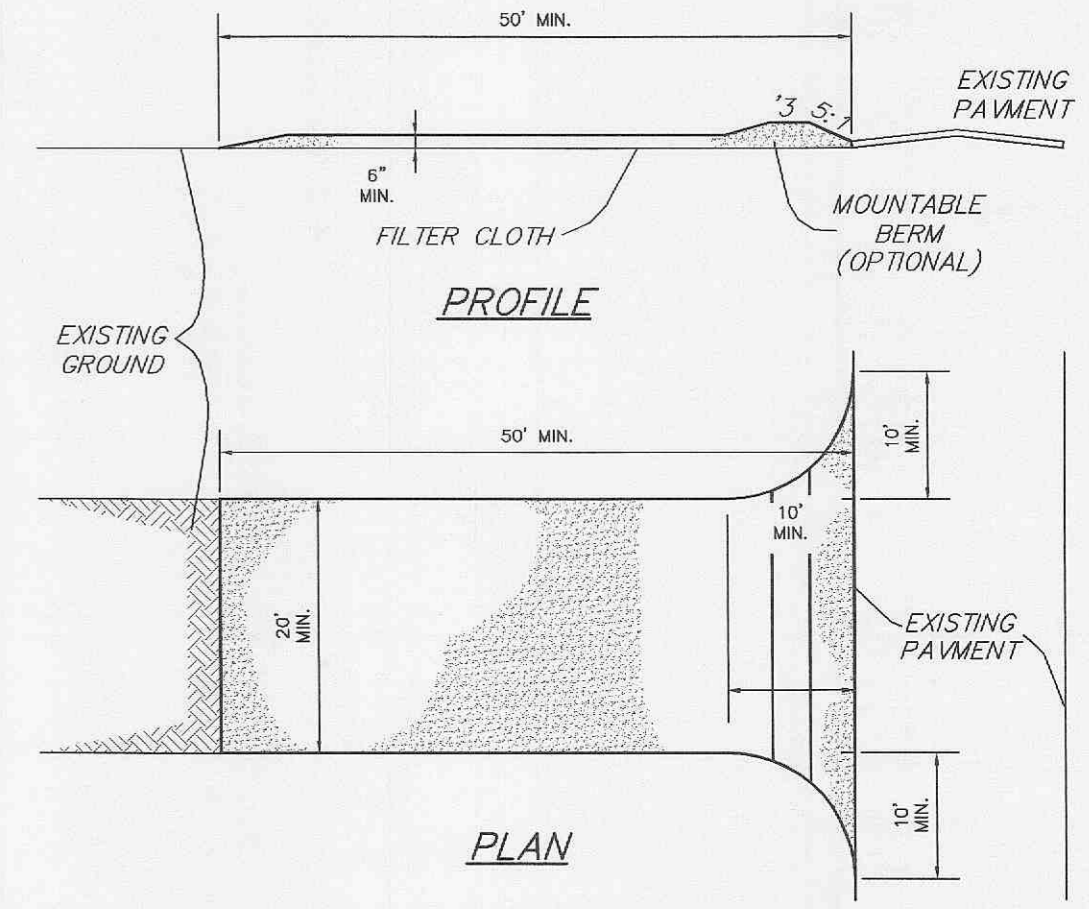
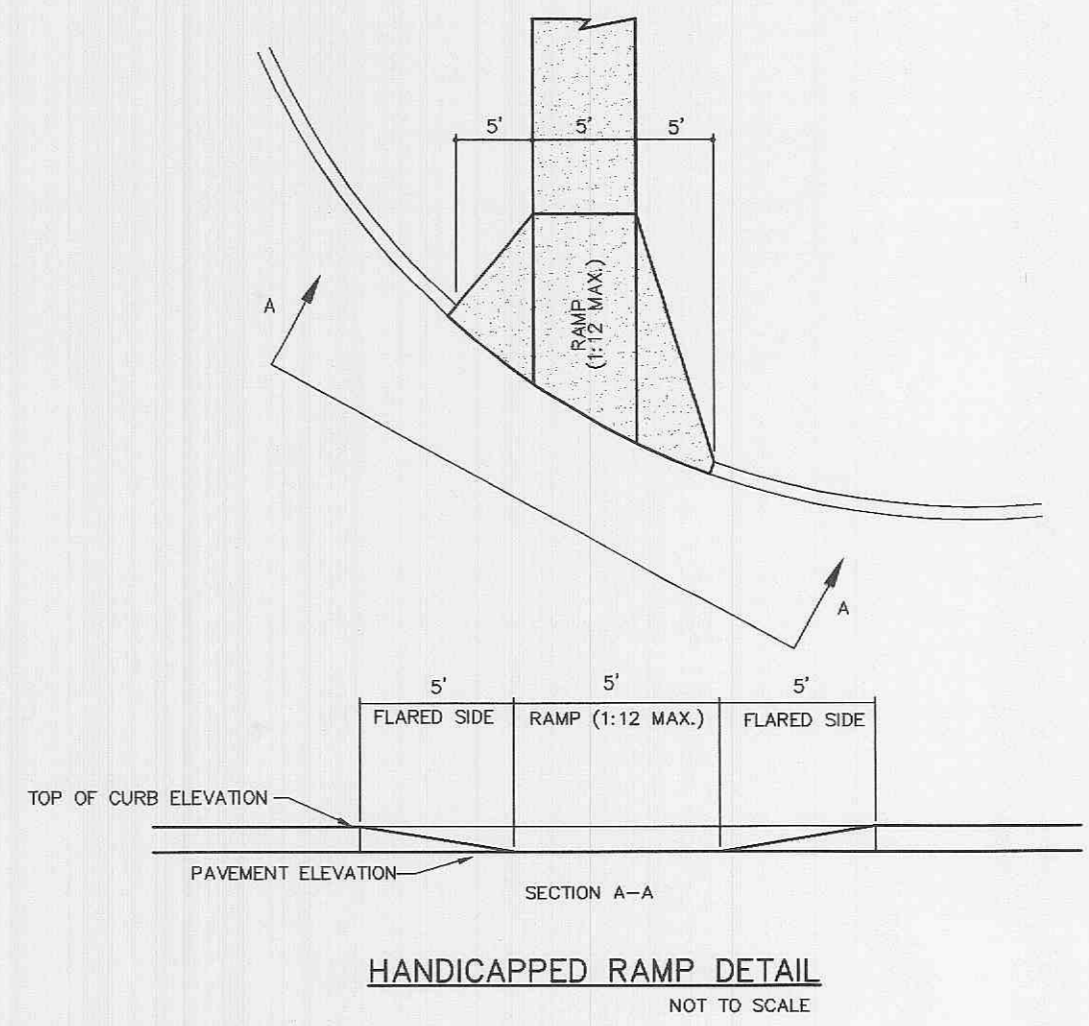
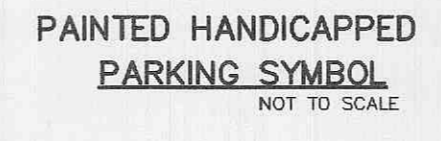
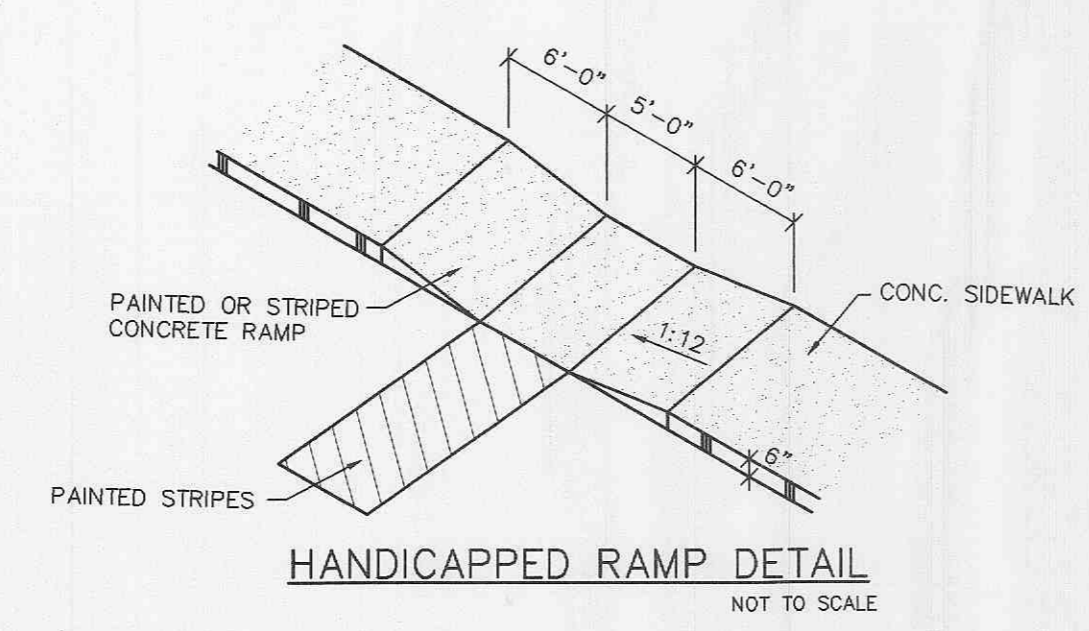
Per City/Client  
Per City Comments  
Per City Comments



**ORDERING INFORMATION**

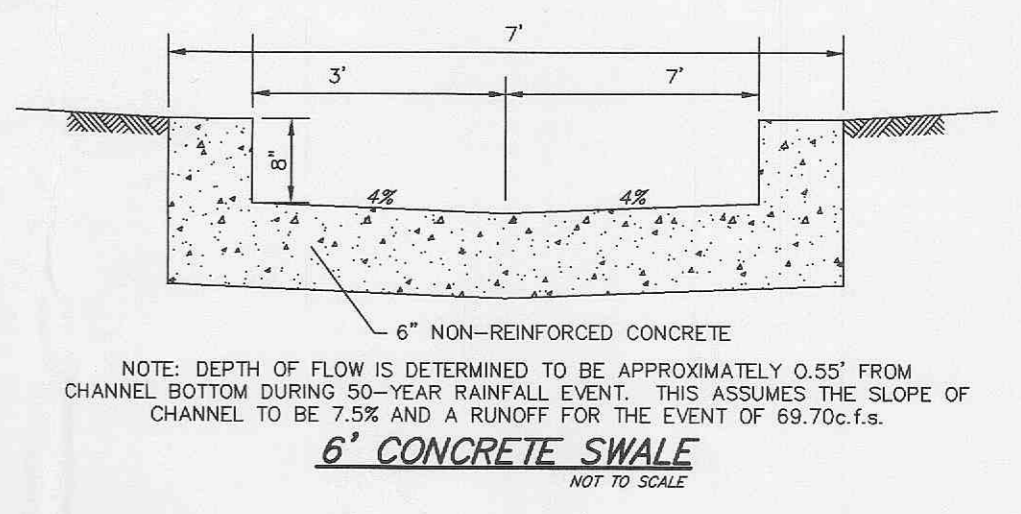
Bike-Standard-Rail®  
Moderate Security Bike Racks

Model #	Length (o.c.)	Bike Capacity
BSR-4.8	2'-8"	3
BSR-8.8	5'-4"	5
BSR-12.8	8'-0"	7
BSR-16.8	10'-8"	9
BSR-20.8	13'-4"	11
BSR-24.8	16'-0"	13

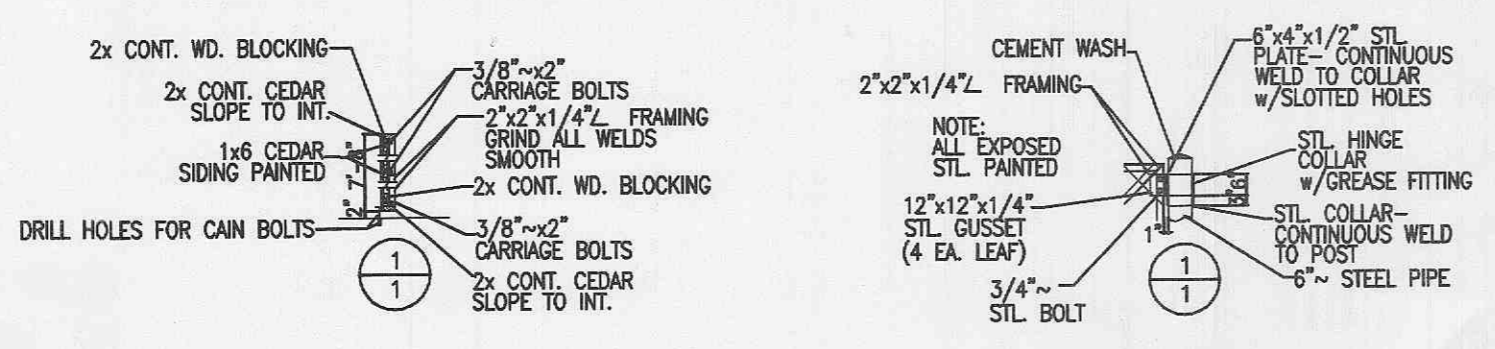
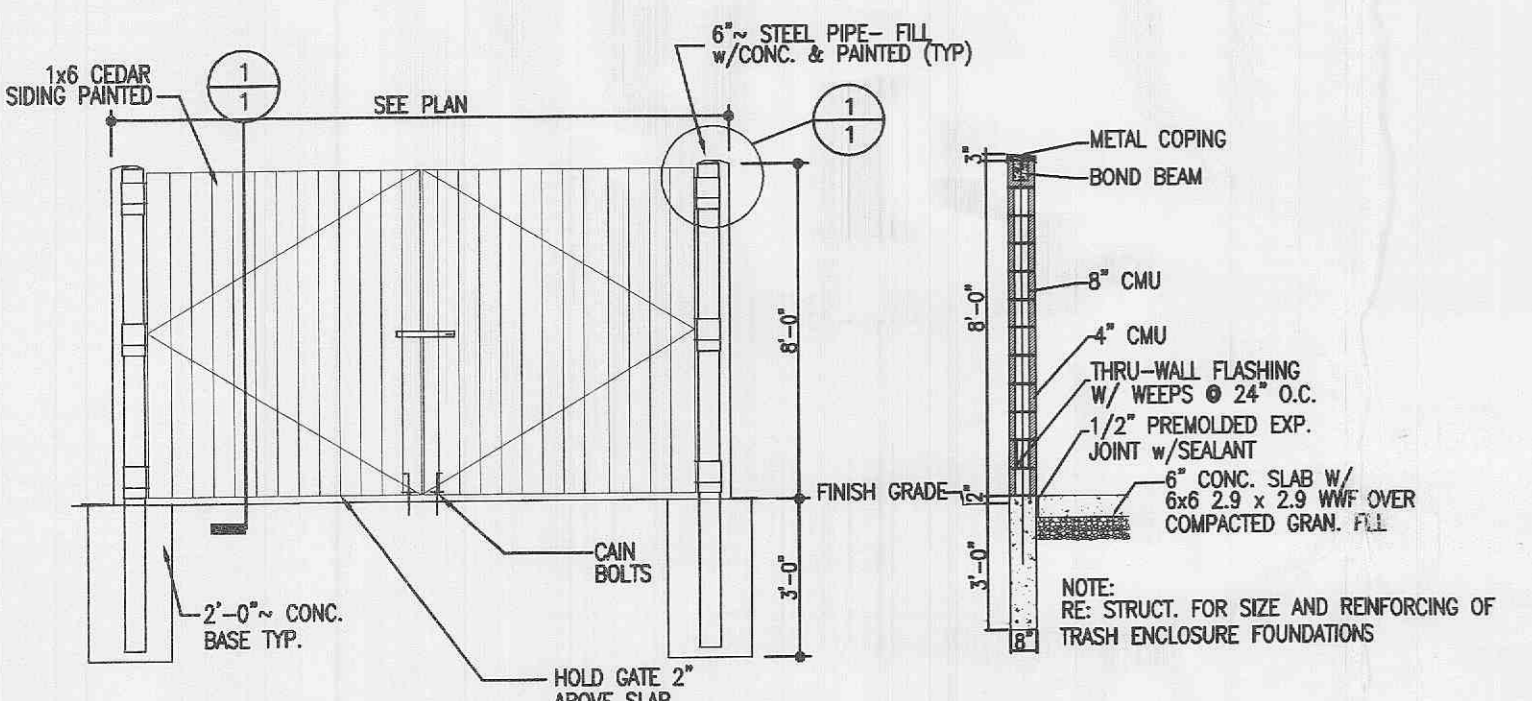


- CONSTRUCTION SPECIFICATIONS**
- Stone Size - Use 2" stone, or reclaimed or recycled concrete equivalent.
  - Length - As required, but not less than 50 feet (except on a single residence lot where a 30 foot minimum length would apply).
  - Thickness - Not less than six (6) inches.
  - Width - Twenty (20) foot minimum, but not less than the full width at points where ingress or egress occurs.
  - Filter Cloth - Will be placed over the entire area prior to placing of stone. Filter will not be required on a single family residence lot.
  - Surface Water - All surface water flowing or diverted toward construction entrances shall be piped across the entrance. If piping is impractical, a mountable berm with 5:1 slopes will be permitted.
  - Maintenance - The entrance shall be maintained in a condition which will prevent tracking or flowing of sediment onto public rights-of-way. This may require periodic top dressing with additional stone as conditions demand and repair and/or cleanup of any measures used to trap sediment. All sediment spilled, dropped, washed or tracked onto public rights-of-way must be removed immediately.
  - Washing - Wheels shall be cleaned to remove sediment prior to entrance onto public rights-of-way. When washing is required, it shall be done on an area stabilized with stone and which drains into an approved sediment trapping device.
  - Periodic inspection and needed maintenance shall be provided after each rain.

**STABILIZED CONSTRUCTION ENTRANCE/WASHDOWN AREA**  
NOT TO SCALE



31 MIL. WATER PROOFING TO BE APPLIED TO OUTSIDE OF SANITARY STRUCTURE PER CITY OF O'FALLON STANDARDS



ROUND PIPE				HORIZONTAL ELLIPTICAL PIPE			
INSIDE DIAMETER OF PIPE (INCHES)	"W" PAYLINE WIDTH OF TRENCH (INCHES)	"W" PAYLINE WIDTH OF TRENCH (FEET)	CONCRETE ENCASMENT	INSIDE DIAMETER OF PIPE (INCHES)	"W" PAYLINE WIDTH OF TRENCH (INCHES)	"W" PAYLINE WIDTH OF TRENCH (FEET)	CONCRETE ENCASMENT
4	30	2.50	3.28				
6	30	2.50	3.59				
8	30	2.50	3.87				
10	30	2.50	4.09				
12	30	2.50	4.25				
15	36	3.00	5.55				
18	36	3.00	5.77	14 x 23	41	3.42	5.94
21	39	3.25	6.61				
24	42	3.50	7.39	19 x 30	49	4.08	7.68
27	45	3.75	8.18	22 x 34	53	4.42	8.61
30	49	4.08	9.30	24 x 38	58	4.83	9.70
33	53	4.42	10.53	27 x 42	62	5.17	10.71
36	56	4.67	11.43	29 x 45	66	5.50	11.72
39		DISCONTINUED		32 x 49	71	5.92	13.14
42	63	5.25	13.38	34 x 53	75	6.25	14.05
48	70	5.83	15.67	38 x 60	83	6.92	16.18
54	77	6.42	18.15	43 x 68	92	7.67	18.81
60	84	7.00	20.73	48 x 76	101	8.42	21.59
66	91	7.58	23.45	53 x 83	109	9.08	24.35
72	98	8.17	26.37	58 x 91	118	9.83	27.45
78	105	8.75	29.39	63 x 98	126	10.50	30.50
84	112	9.33	32.57	68 x 106	135	11.25	33.91
90	119	9.92	35.90	72 x 113	143	11.92	36.99
96	126	10.50	39.37	77 x 121	152	12.67	40.69
102	133	11.08	42.99	82 x 128	160	13.33	44.45
108	140	11.67	46.75	87 x 136	168	14.00	47.79
114	147	12.25	50.66	92 x 143	176	14.67	51.70
120	154	12.83	54.72	97 x 151	185	15.42	56.01
126	161	13.42	58.92				
132	168	14.00	63.27	106 x 166	202	16.83	64.48
144	182	15.17	72.40	116 x 180	218	18.17	73.59

**DUCKETT CREEK SANITARY DISTRICT**  
PAYLINE WIDTHS OF TRENCH AND PAY-QUANTITIES OF CONCRETE

