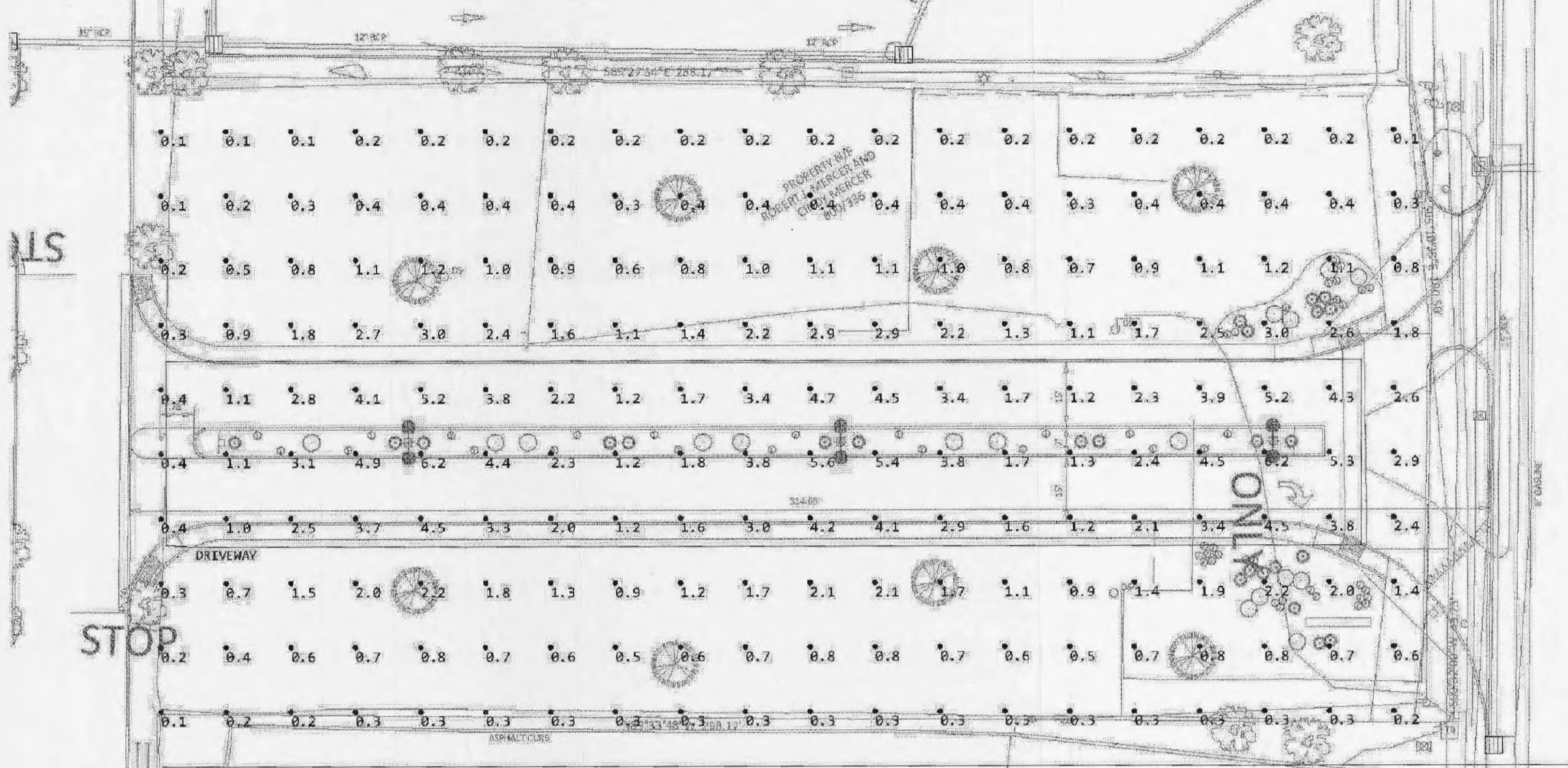


Label	CalcType	Units	Avg	Max	Min	Avg/Min	Max/Min
CALC GRID	Illuminance	Fc	1.49	6.2	0.1	3.98	62.00
DRIVEWAY	Illuminance	Fc	3.19	6.2	1.0	3.19	6.20

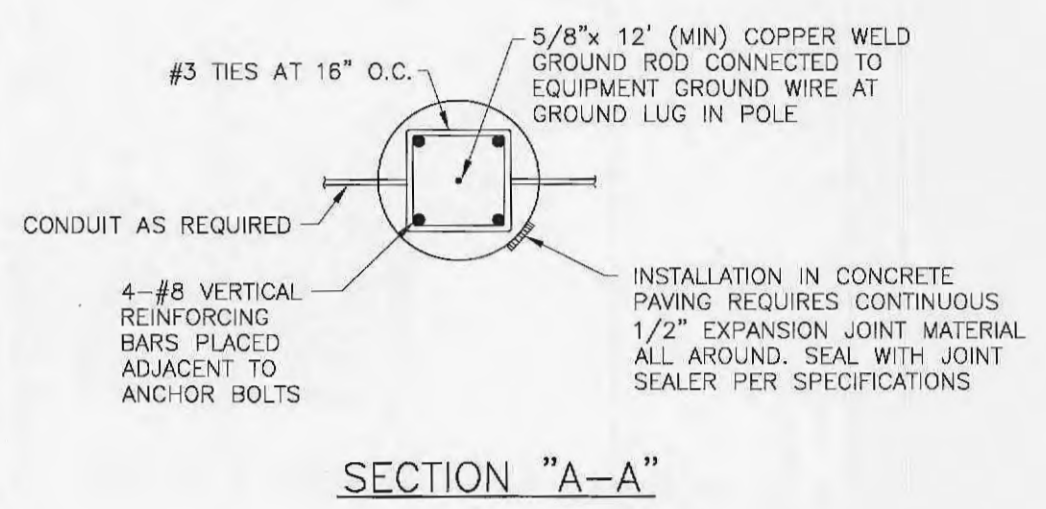
NATIONAL LIGHTING SOLUTIONS
 PHOTOMETRIC STUDY#
 OFALLON-031815-C
 SHOPPING CENTER ENTRY
 DATE: 03/18/15



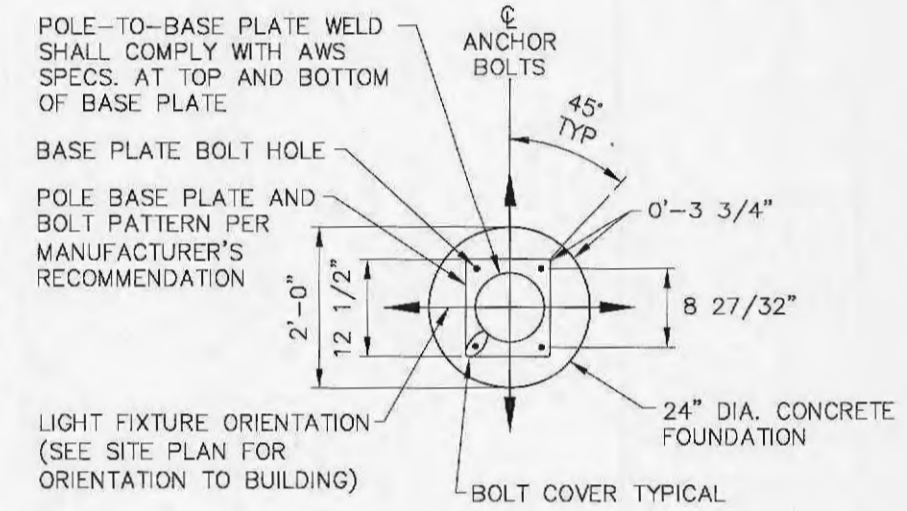
Symbol	Qty	Label	Arrangement	LLF	Description	Lum. Watt
	3	S2	BACK-BACK	0.950	NLS-CALIFORNIA-CAL-XX-T5-SPR-64L-700-55K-XX-TWIN @ 20' MTG. HT.	144

SL-1 Site Lighting Plan
 NO SCALE

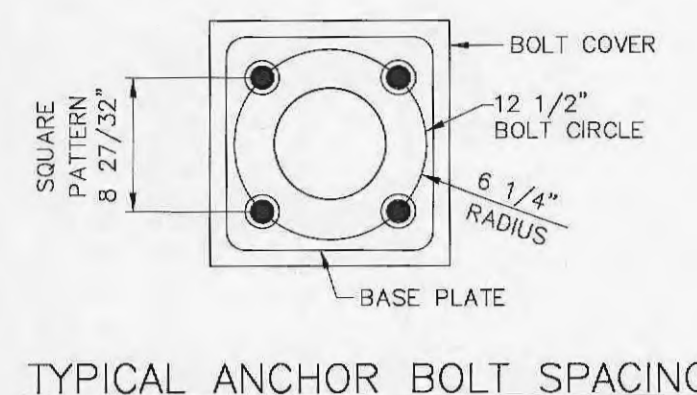
- NOTES:
- 3500 PSI MIN. 28 DAY COMPRESSIVE STRENGTH CONCRETE WITH GRADE 60 REINFORCING STEEL.
 - IF WATER IS PRESENT IN HOLE, REMOVE BEFORE POURING CONCRETE.
 - FOUNDATION EXCAVATION SHALL BE BY 24" AUGER IN UNDISTURBED OR PROPERLY COMPACTED FILL PER SPECIFICATIONS.
 - FOUNDATION SHALL HAVE A MINIMUM ALLOWABLE END BEARING OF 2000 PSF.
 - FOUNDATION HAS BEEN DESIGNED FOR A COHESIVE SOIL BASED ON A MINIMUM COHESIVE VALUE OF 1000 PSF.
 - FOUNDATION HAS BEEN DESIGNED FOR A GRANULAR SOIL BASED ON A MINIMUM LATERAL SOIL PRESSURE OF 1000 PSF, UTILIZING AASHTO FIGURE 1.8.2c(4) OF "EMBEDMENT OF POSTS WITH OVERTURNING LOADS".
 - EXPOSED CONCRETE SHALL BE PAINTED TRAFFIC YELLOW.
 - DETAIL FOR 25" POLE WITH MAX. FIXTURE EPA 4.6 SQ.FT.
 - ALL LIGHT POLE BASE FOUNDATIONS SHALL BE CAST-IN-PLACE. PRE-CAST LIGHT POLE BASE FOUNDATIONS ARE NOT ACCEPTABLE.
 - VERTICAL RE-BARS SHALL BE WITHIN 3" FROM THE TOP OF THE CONCRETE BASE. THE ON SITE TESTING FIRM TO VERIFY PRIOR TO POURING CONCRETE BASE.
 - SONOTUBE FORM TO TERMINATE 18" BELOW GRADE, UNLESS NEEDED TO KEEP EXCAVATED AREA FROM COLLAPSING.



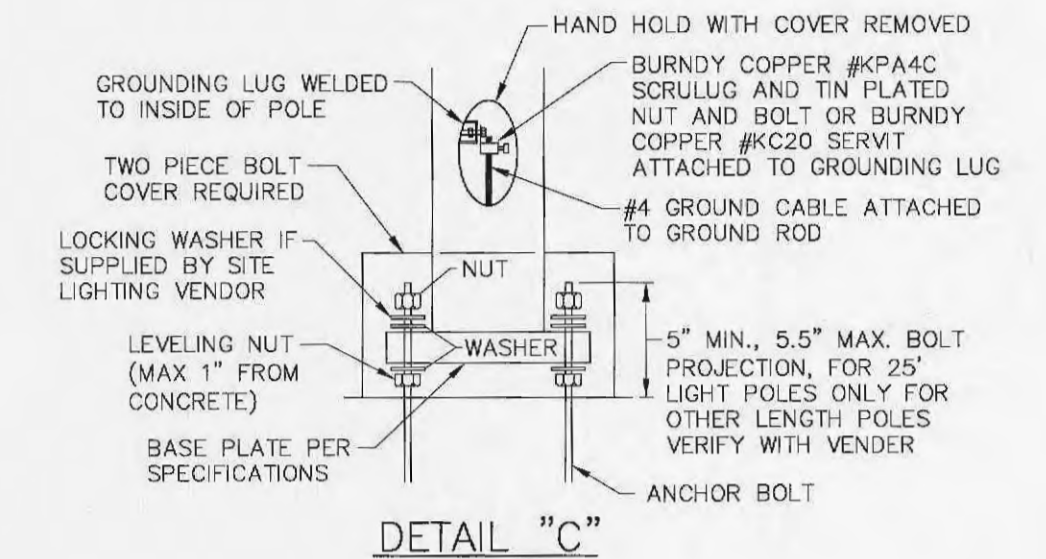
SECTION "A-A"



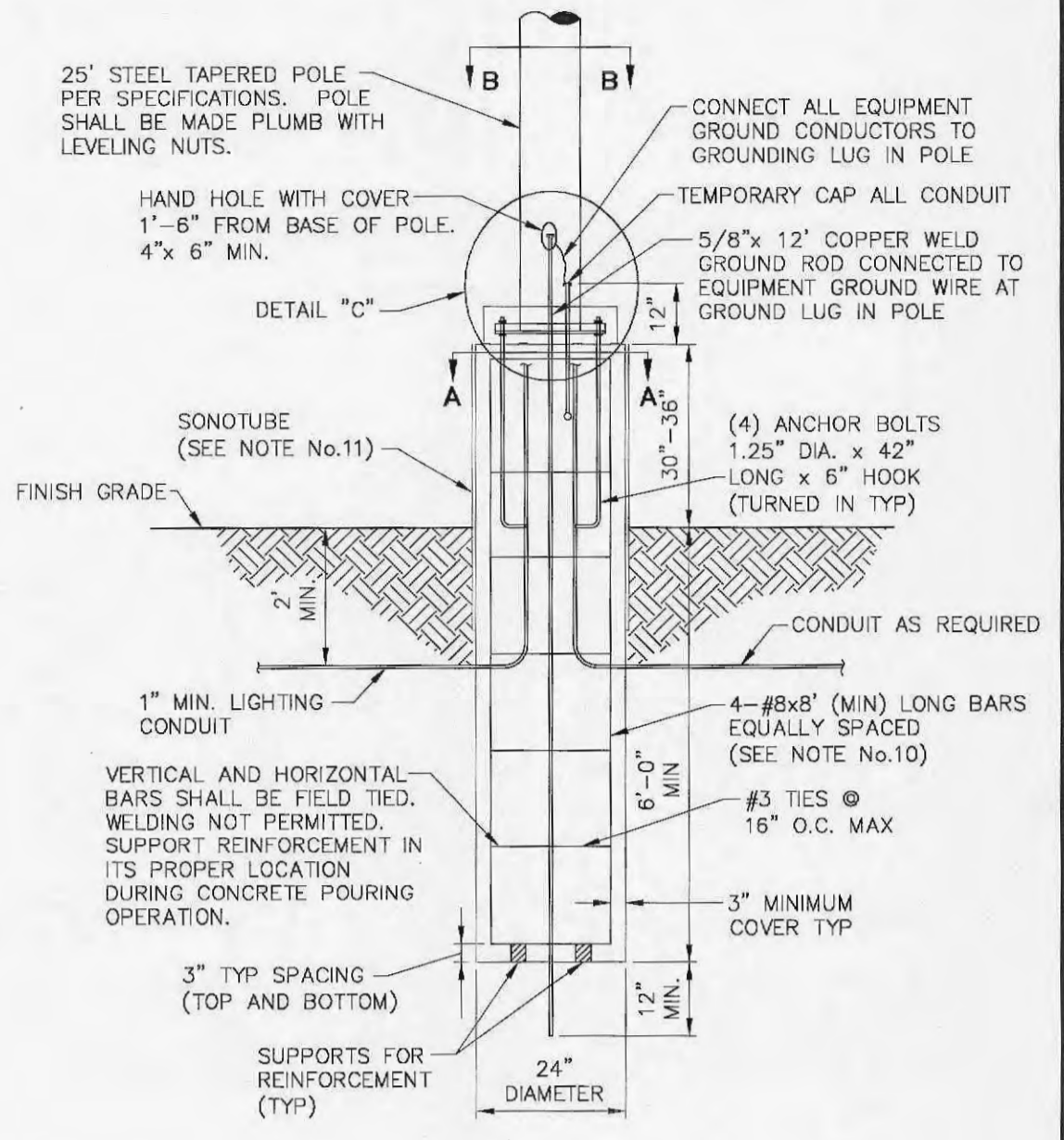
SECTION "B-B"



TYPICAL ANCHOR BOLT SPACING



DETAIL "C"



ELEVATION

LT-1 TYPICAL LIGHTING POLE BASE DETAIL
 NO SCALE

Three working days prior to the start of any excavation on this site the Contractor shall contact 1-800-344-7483 for utility location information.

The contractor shall verify and implement all the required Federal Occupational Safety and Health Administration (OSHA) and/or OSHA approved state-plan regulations established for the type of construction required by these plans.

SHEET INDEX	
DETAIL SL-1	SITE LIGHTING PLAN
DETAIL LT-1	TYPICAL LIGHTING POLE BASE DETAIL

REVISIONS	
1	
By:	App:
2	
By:	App:
3	
By:	App:
4	
By:	App:

Proposed Site Improvement Plans
 to O'Fallon Walk
 Missouri State Highway K
 City of O'Fallon, St. Charles Co., Missouri

DRAWN	S.A.B.
CHECKED	R.G.R.
DATE	4/21/15
SCALE	AS NOTED
JOB No.	3842
SHEET	DETAIL SHEET 4

DTL-4

TELEPHONE: (636) 239-4751
 E-Mail: mail@bfaeng.com

BFA
 CONSULTANTS-ENGINEERS-SURVEYORS
 www.bfaeng.com

103 ELM STREET
 WASHINGTON, MISSOURI 63090

Mark A. Harriman, P.E. #2000162109
 Registered Professional Engineer
 State of Missouri
 for BFA, Inc., Professional Engineer Corporation #000472

STATE OF MISSOURI
 MARK A. HARRIMAN
 NUMBER 2000162109
 E-2000162109
 REGISTERED PROFESSIONAL ENGINEER