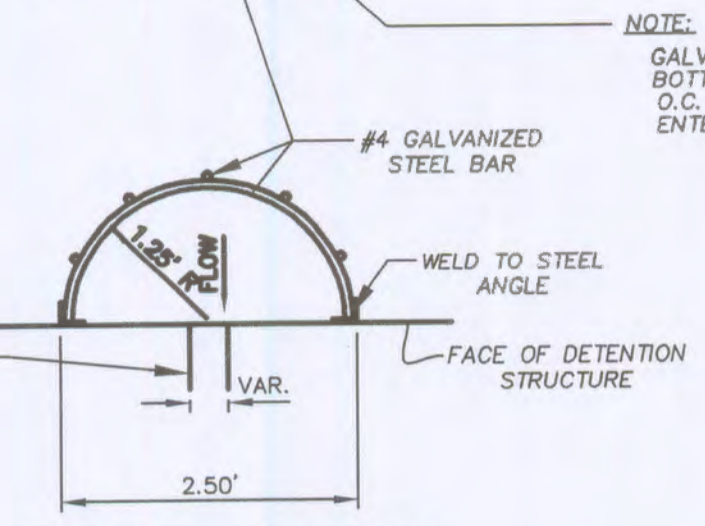
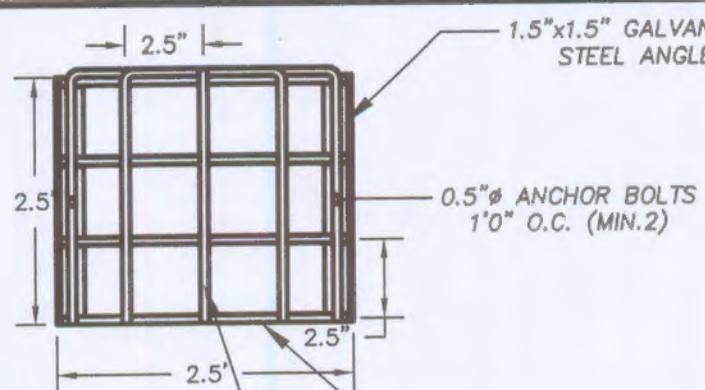


ALL UNDERGROUND UTILITIES SHOWN HEREON WERE PLOTTED FROM AVAILABLE INFORMATION AND DO NOT NECESSARILY REFLECT THE ACTUAL EXISTENCE, NONEXISTENCE, SIZE, NUMBER OR LOCATION OF THESE OR OTHER UTILITIES. THE GENERAL CONTRACTOR SHALL BE RESPONSIBLE FOR VERIFYING THE ACTUAL LOCATION OF ALL UNDERGROUND UTILITIES, SHOWN OR NOT SHOWN, AND ALL UTILITIES SHALL BE LOCATED IN THE FIELD PRIOR TO ANY GRADING, EXCAVATION OR CONSTRUCTION OF IMPROVEMENTS. THESE PROVISIONS SHALL IN NO WAY SOLVE ANY PARTY FROM COMPLYING WITH THE UNDERGROUND FACILITY SAFETY AND DAMAGE PREVENTION ACT, CHAPTER 319, RSMo.

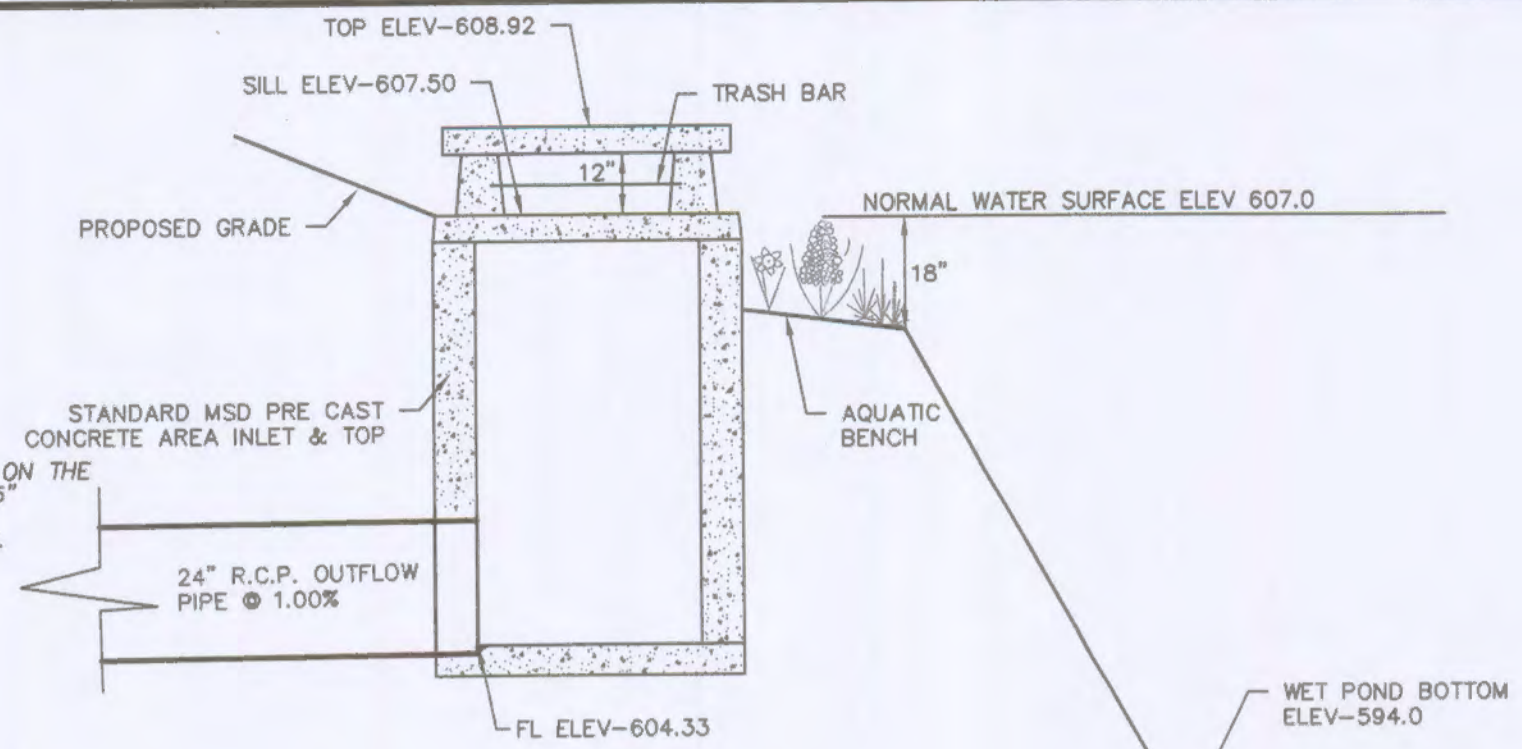
GRAPHIC SCALE

(IN FEET)

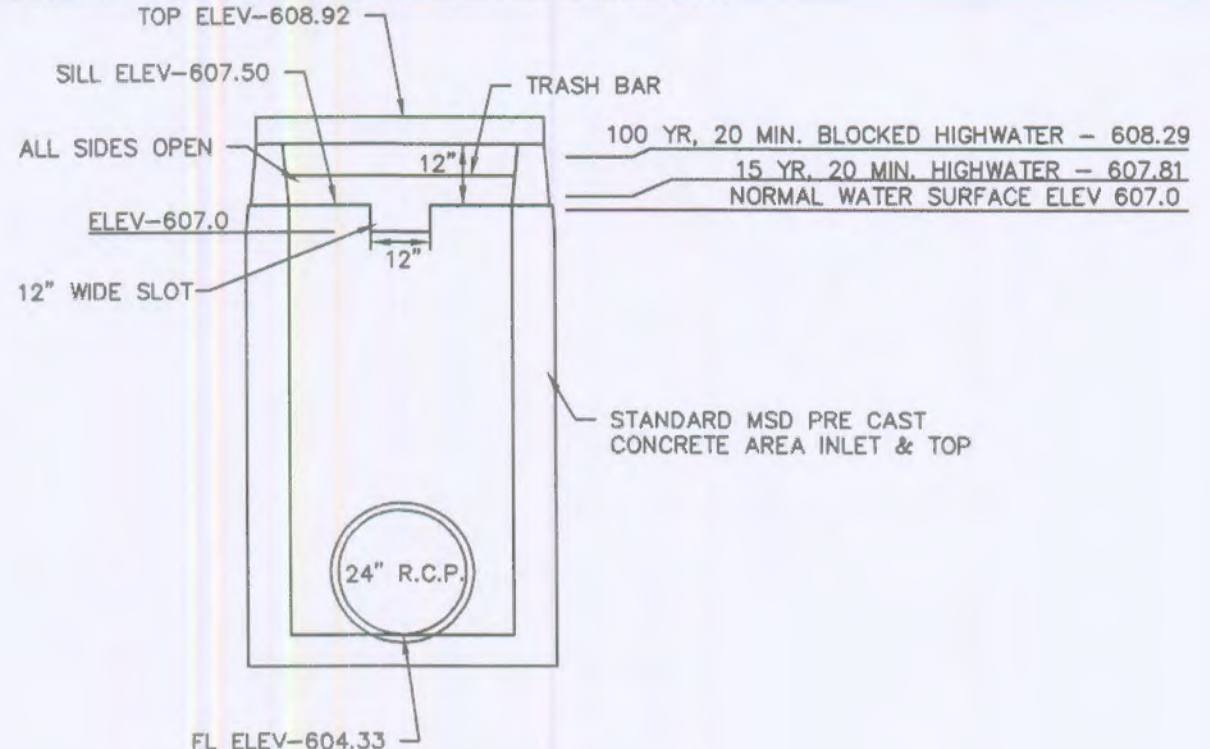
1 inch = 10 ft.



NOTE: GALVANIZED BARS WILL BE WELDED ON THE BOTTOM OF THE TRASH RACK @ 2.5' O.C. TO PREVENT DEBRIS FROM ENTERING THE OUTFALL STRUCTURE.

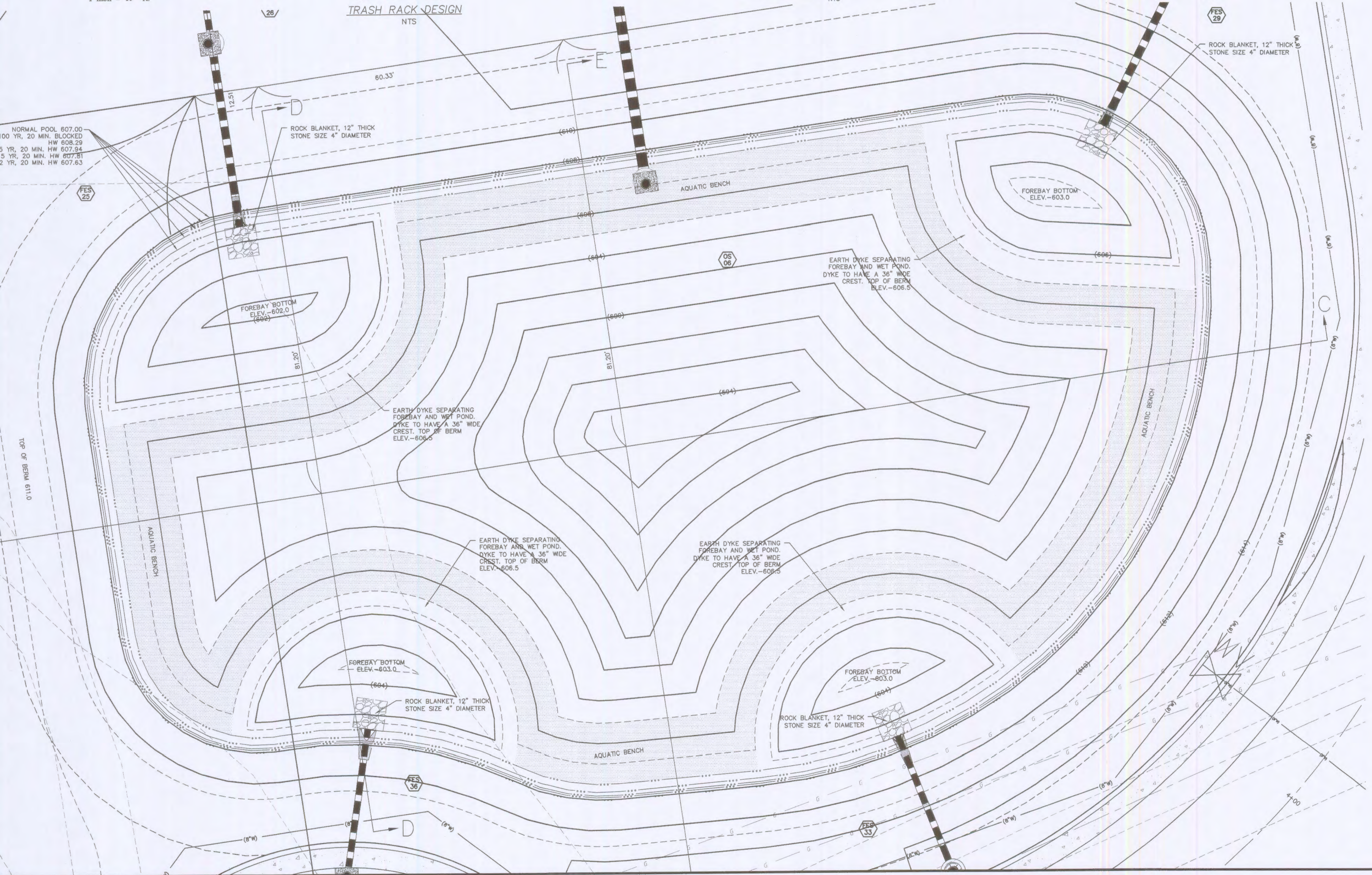


OVERFLOW STRUCTURE 6 SIDE SECTION NTS



OVERFLOW STRUCTURE 6 FRONT ELEVATION NTS

ISSUE	REMARKS/DATE
1	10-07-2013 Revised per City, DCSD, & PWS#2 Comments
2	11-20-2013 Revised per City, DCSD, & PWS#2 Comments
3	12-18-2013 PWS#2 Approval
4	01-03-2014 Revised per City Comments
5	02-11-2014 Revised per City Comments
6	03-11-2014 Approval

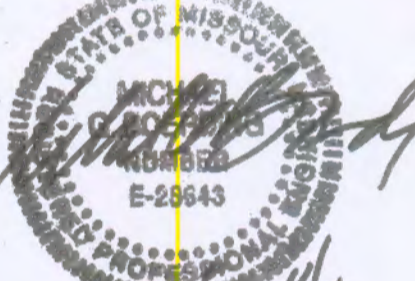


PROJECT TITLE

THE STERLING CO.
ENGINEERS & SURVEYORS

5055 New Baumgartner Road
St. Louis, Missouri 63120
Ph: 314-487-0440 Fax: 314-487-8944
www.sterling-eng-sur.com
Corporate Certificate of Authority #001348

The Professional Engineer's seal and signature offered to this drawing shall be the seal and signature of the engineer who prepared this drawing and who shall not be considered prepared by this engineer, and the engineer represents, warrants and is held responsible for each plan, drawing or document not submitted by seal and signature.



Date: 3/11/2014
Michael G. Boerding
License No. MO E-28643
Civil Engineer

LOMBARDO HOMES
2299 Technology Drive
O'Fallon, Missouri 63368
Ph: 636-265-2710

DETENTION / WATER QUALITY DETAILS

P+Z No. 207.02
City No.
Date: July 22, 2013
Job No. 12-10-284

Page No.

10.2

IMP