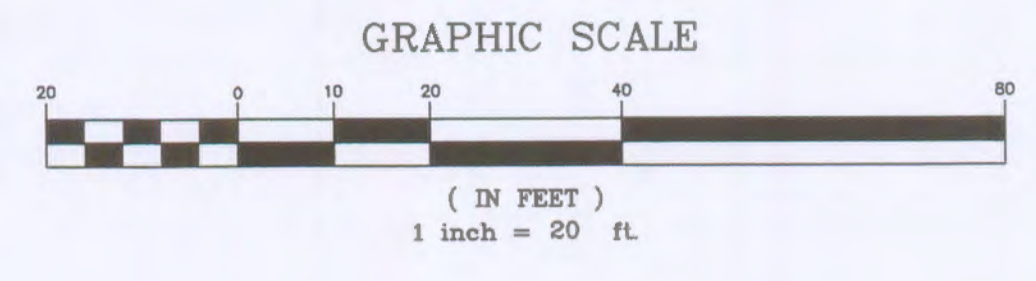
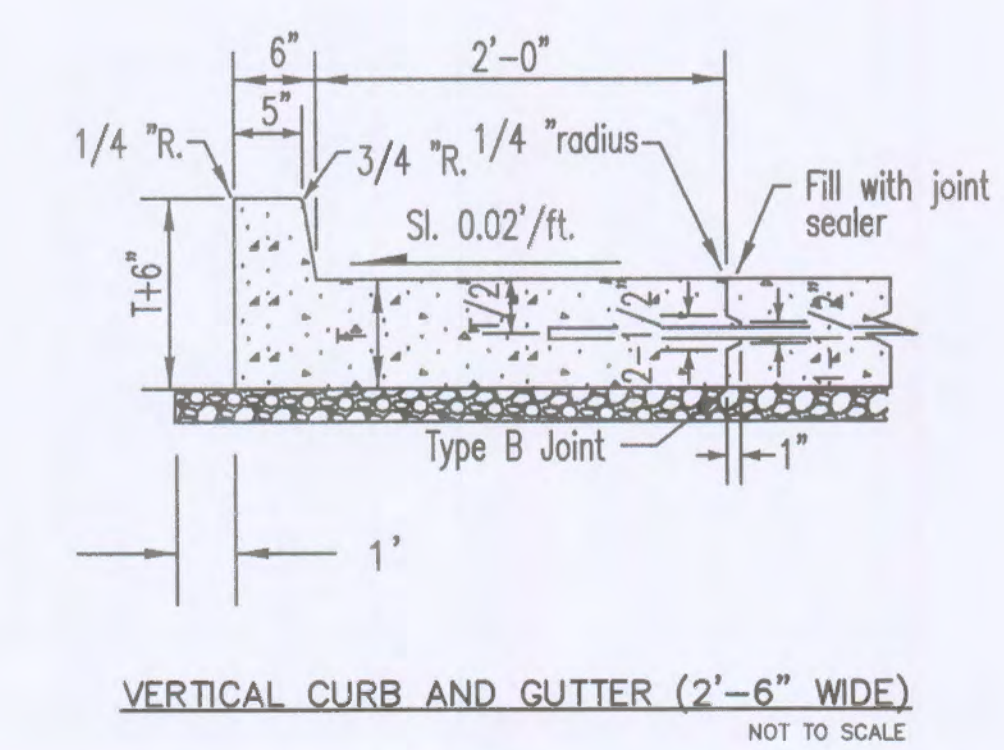
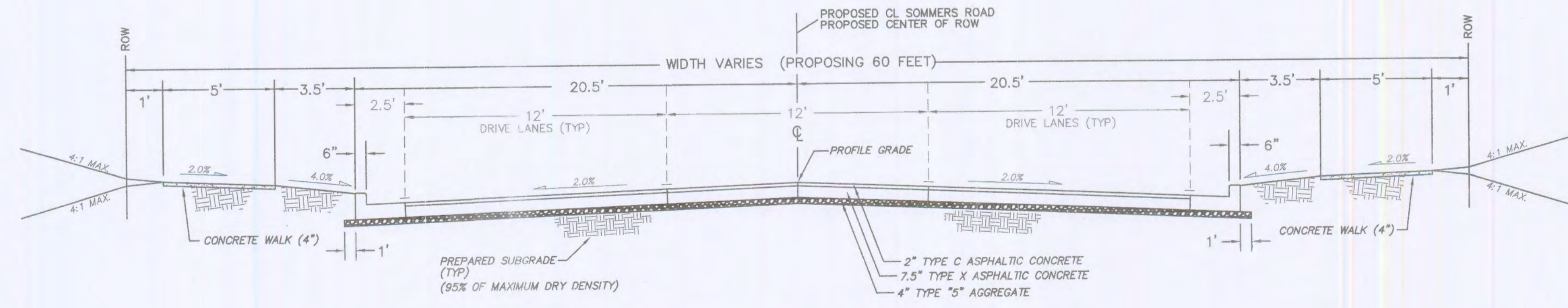
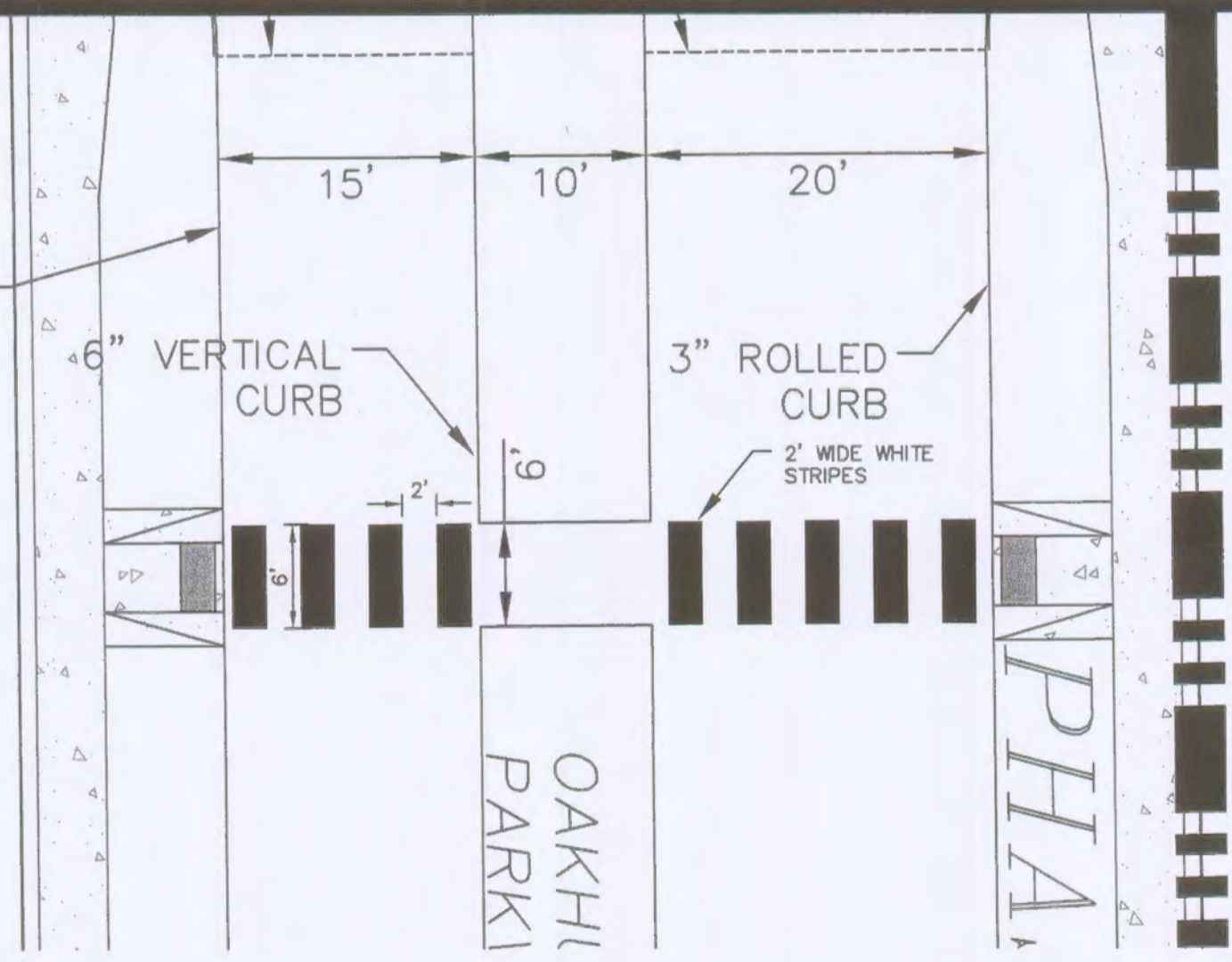
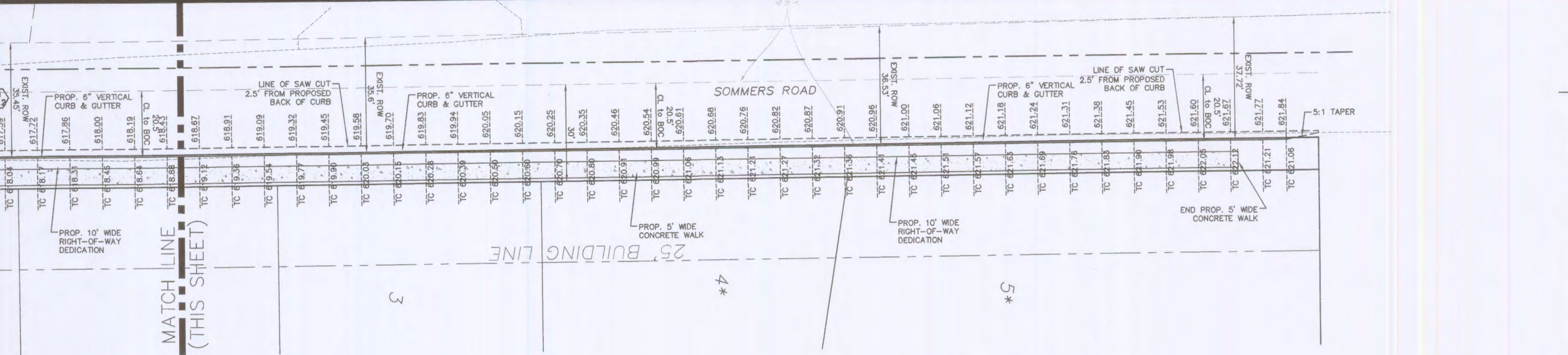


- ISSUE REMARKS/DATE
- 10-07-2013 Revised per City, DCSD, & PWSD#2 Comments
 - 11-20-2013 Revised per City, DCSD, & PWSD#2 Comments
 - 12-16-2013 PWSD#2 Approval
 - 01-03-2014 Revised per City Comments
 - 02-11-2014 Revised per City Comments
 - 03-11-2014 Approval



NOTE: DIMENSIONS SHOWN ARE TO BACK OF CURB



THE UNDERGROUND UTILITIES SHOWN HEREON WERE PLOTTED FROM AVAILABLE INFORMATION AND DO NOT NECESSARILY REFLECT THE ACTUAL EXISTENCE, NONEXISTENCE, SIZE, TYPE, NUMBER OR LOCATION OF THESE OR OTHER UTILITIES. THE GENERAL CONTRACTOR SHALL BE RESPONSIBLE FOR VERIFYING THE ACTUAL LOCATION OF ALL UNDERGROUND UTILITIES, SHOWN OR NOT SHOWN, AND SAID UTILITIES SHALL BE LOCATED IN THE FIELD PRIOR TO ANY GRADING, EXCAVATION OR CONSTRUCTION OF IMPROVEMENTS. THESE PROVISIONS SHALL IN NO WAY ABSOLVE ANY PARTY FROM COMPLYING WITH THE UNDERGROUND FACILITY SAFETY AND DAMAGE PREVENTION ACT, CHAPTER 319, RSMO.

PROJECT TITLE
OAKHURST
OF FALLON, MISSOURI

THE **STERLING** CO.
ENGINEERS & SURVEYORS
5055 New Baumgartner Road
St. Louis, Missouri 63129
Ph 314-487-0440 Fax 314-487-9844
www.sterling-eng-sur.com
Corporate Certificate of Authority #001348

The Professional Engineer's seal and signature are required to the seal applies only to the engineering and surveying work shown on this drawing. This seal and signature shall not be considered prepared by this engineer and the engineer hereby disclaims any and all liability for such items shown on this drawing or documents not exhibiting this seal and signature.

Date:
Michael G. Boarding
License No. MO E-28643
Civil Engineer

LOMBARDO HOMES
2299 Technology Drive
OFallon, Missouri 63388
Ph. 636-265-2710

ENTRANCE / WARPING DETAILS

P+Z No. 207.02
City No.
Date: July 22, 2013
Job No. 12-10-284
Page No.

12.1
IMP