

ISSUE	REMARKS/DATE
1	10-07-2013 Revised per City, DCSD, & PWSD#2 Comments
2	11-20-2013 Revised per City, DCSD, & PWSD#2 Comments
3	12-16-2013 PWSD#2 Approval
4	01-03-2014 Revised per City Comments
5	02-11-2014 Revised per City Comments
6	03-11-2014 Approval

PROJECT TITLE

OAKHURST
OTFALLON, MISSOURI

THE STERLING CO.
ENGINEERS & SURVEYORS
5055 New Baumgartner Road
St. Louis, Missouri 63129
Ph 314.487.0440 Fax 314.487.8944
www.sterling-eng-sur.com
Corporate Certificate of Authority #001348

The Professional Engineer's seal and signature are required in this sheet. Any drawings or specifications prepared by this engineer and his employees shall not be considered correct unless they are signed and sealed by this engineer. The engineer's responsibility is limited to the design and construction of the work shown on this sheet and he is not responsible for any other work shown on this sheet.

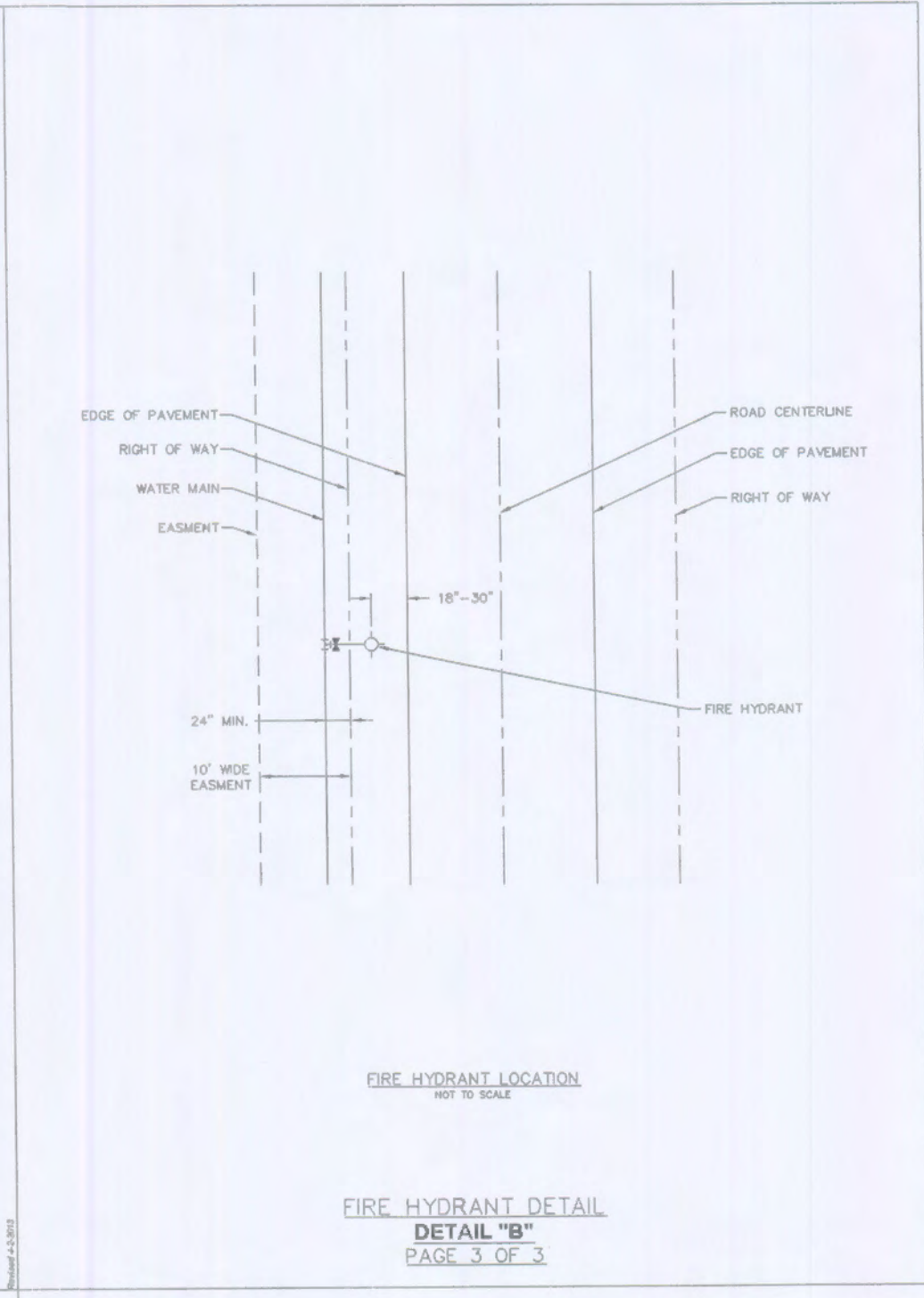
Michael G. Boarding
Date: 3/11/2014
Michael G. Boarding
License No. MO E-28643
Civil Engineer

LOMBARDO HOMES
2289 Technology Drive
O'Fallon, Missouri 63368
Ph. 636-265-2710

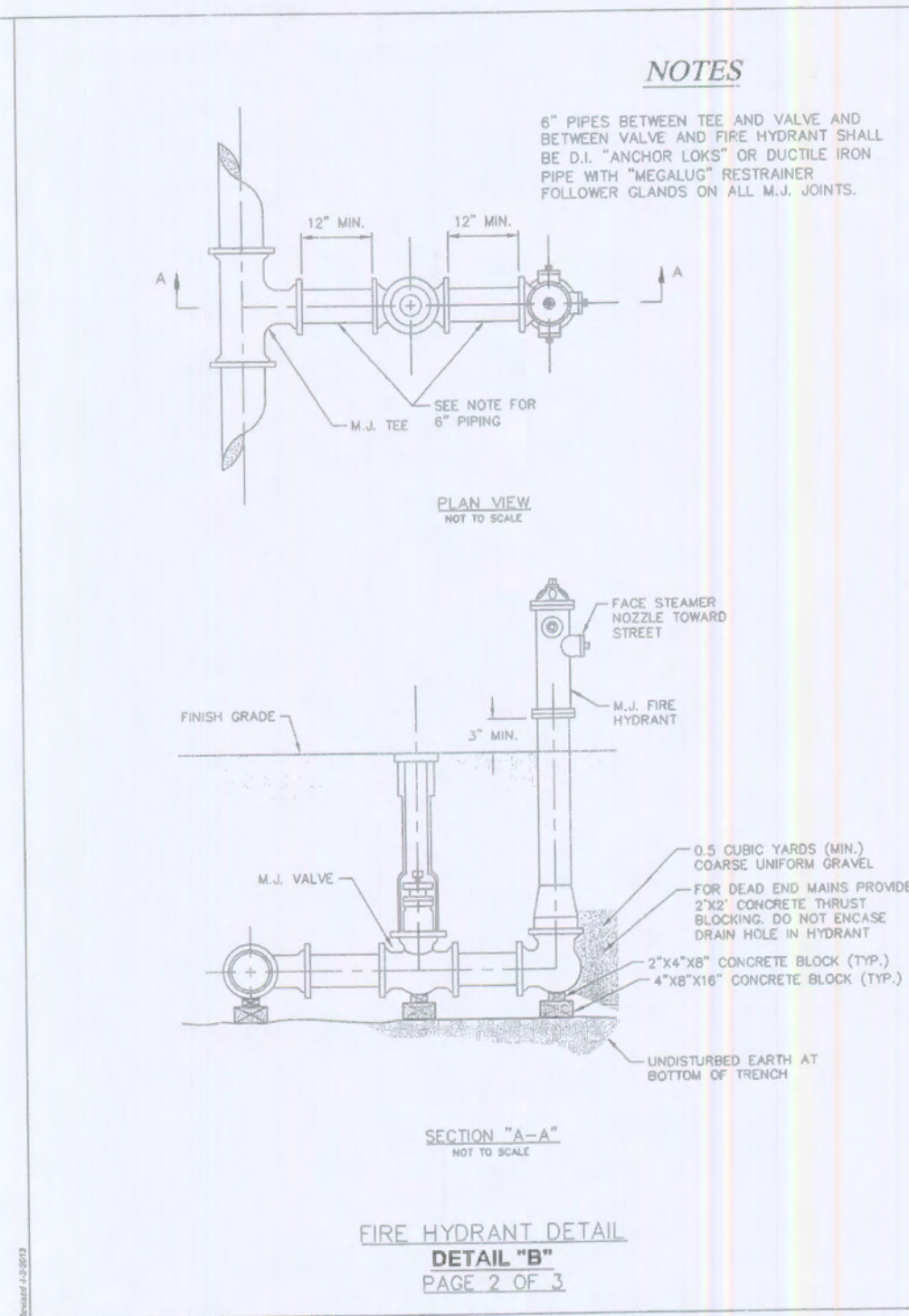
WATER DETAILS

P+Z No. 207.02
City No.
Date: July 22, 2013
Job No. 12-10-284
Page No.

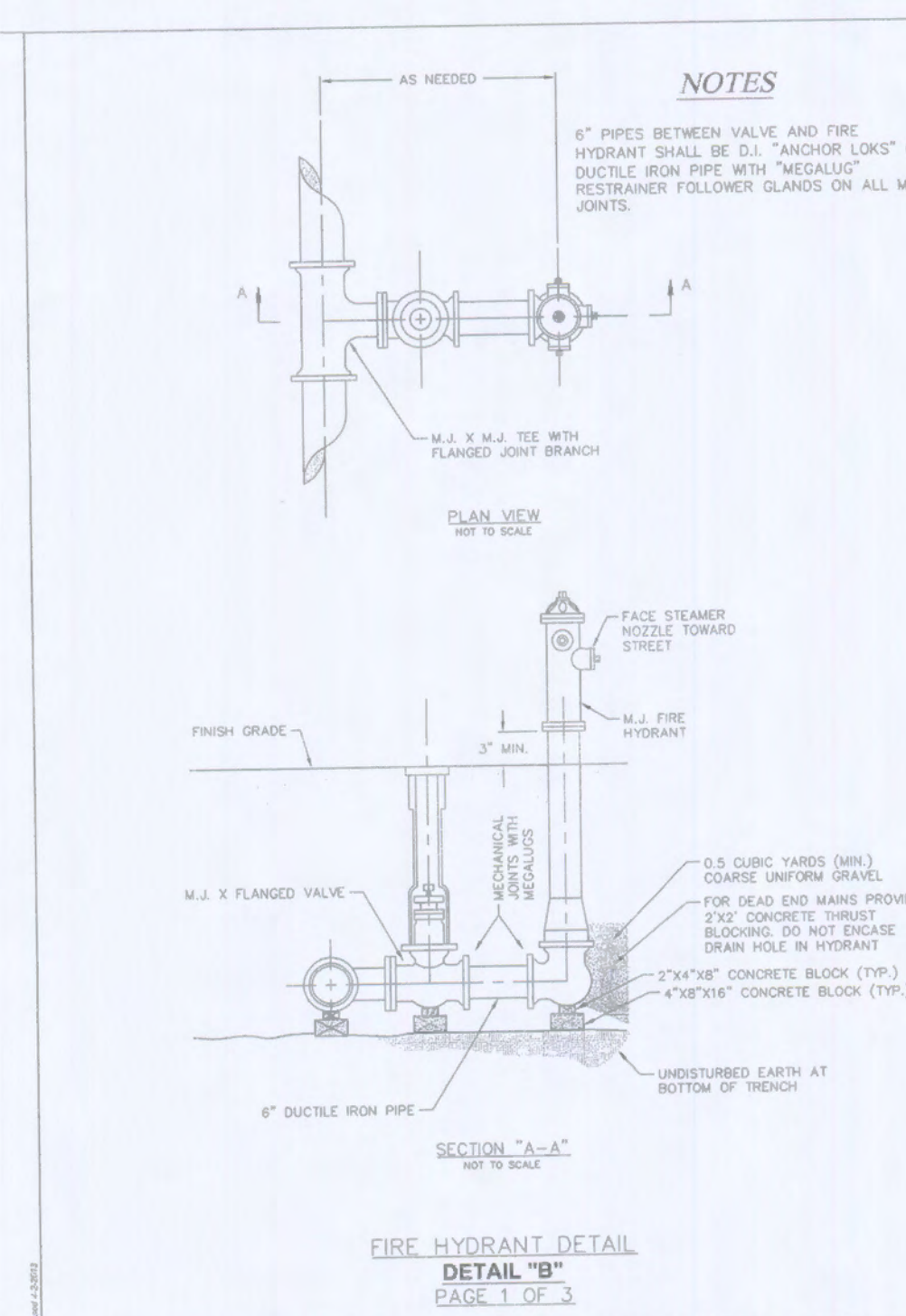
DTL-10
IMP



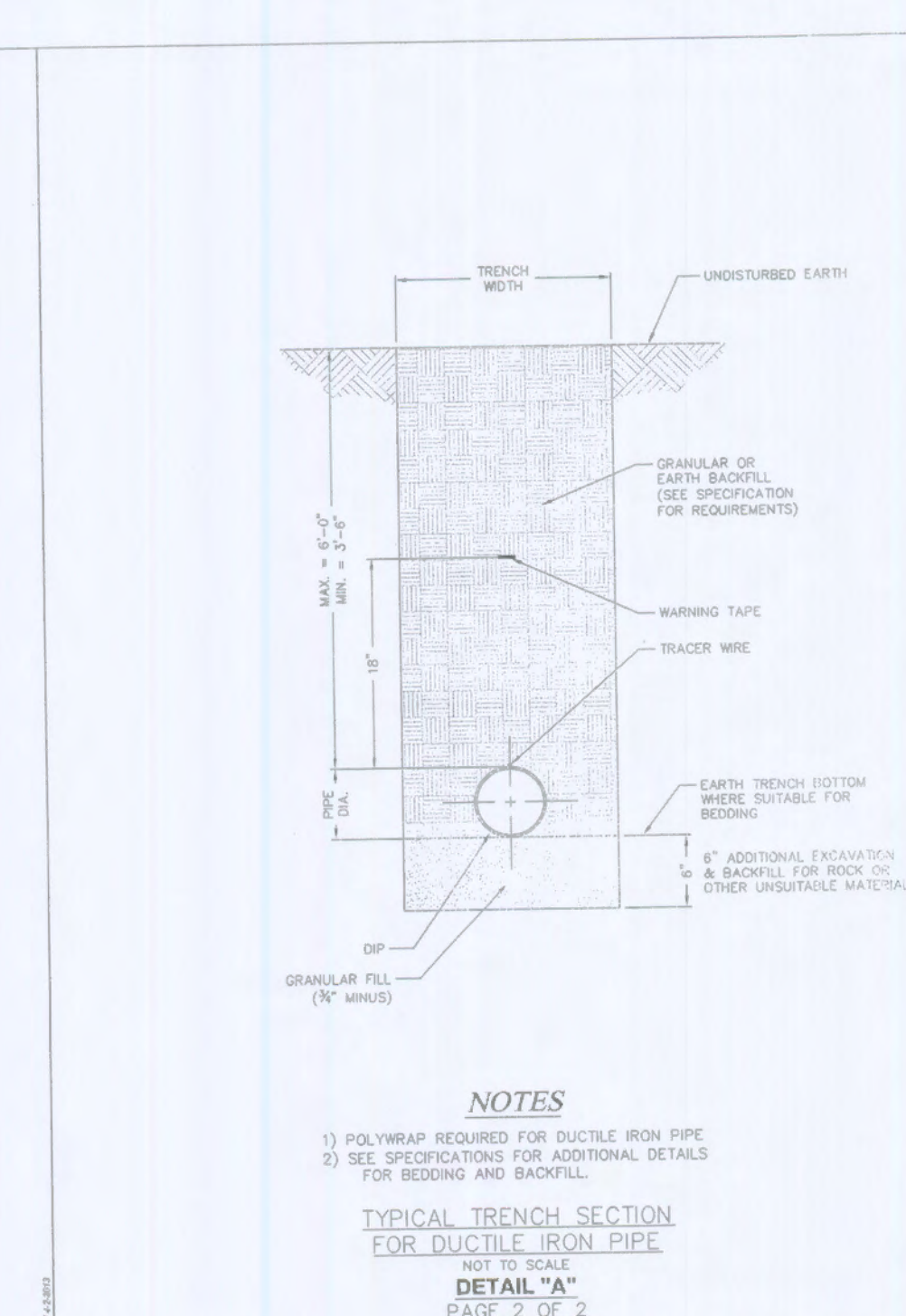
FIRE HYDRANT LOCATION
NOT TO SCALE
FIRE HYDRANT DETAIL
DETAIL "B"
PAGE 3 OF 3



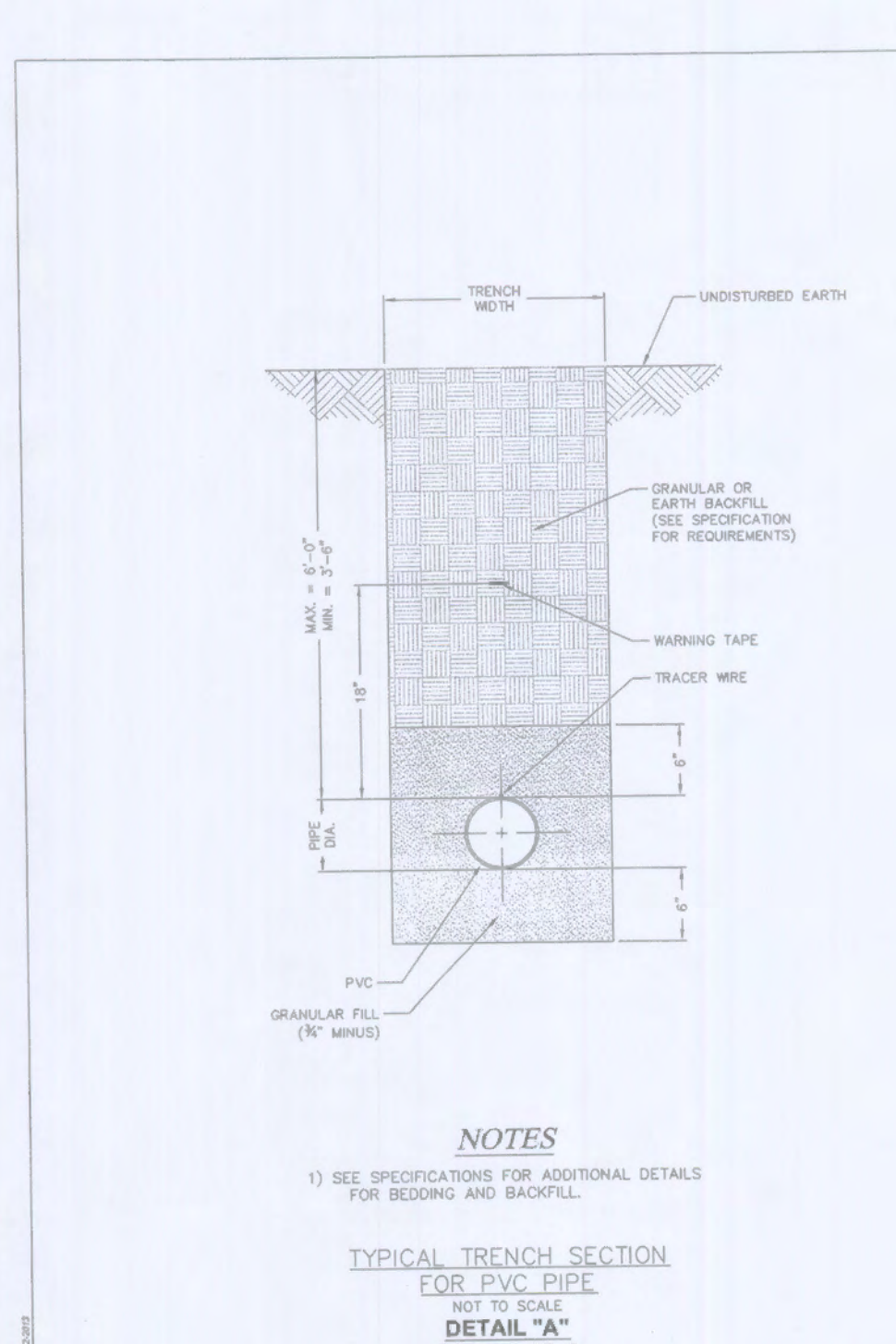
FIRE HYDRANT DETAIL
DETAIL "B"
PAGE 2 OF 3



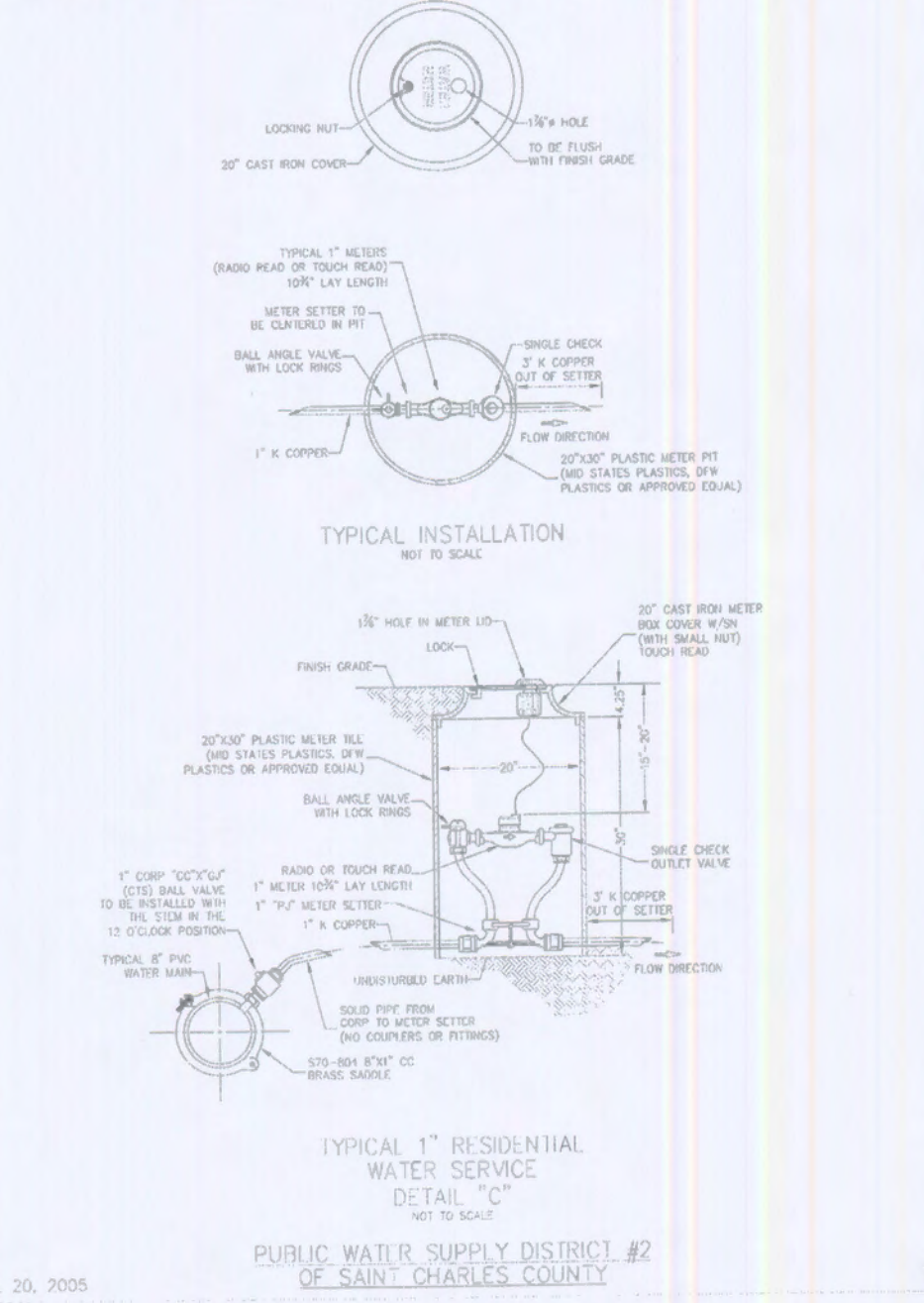
FIRE HYDRANT DETAIL
DETAIL "A"
PAGE 1 OF 3



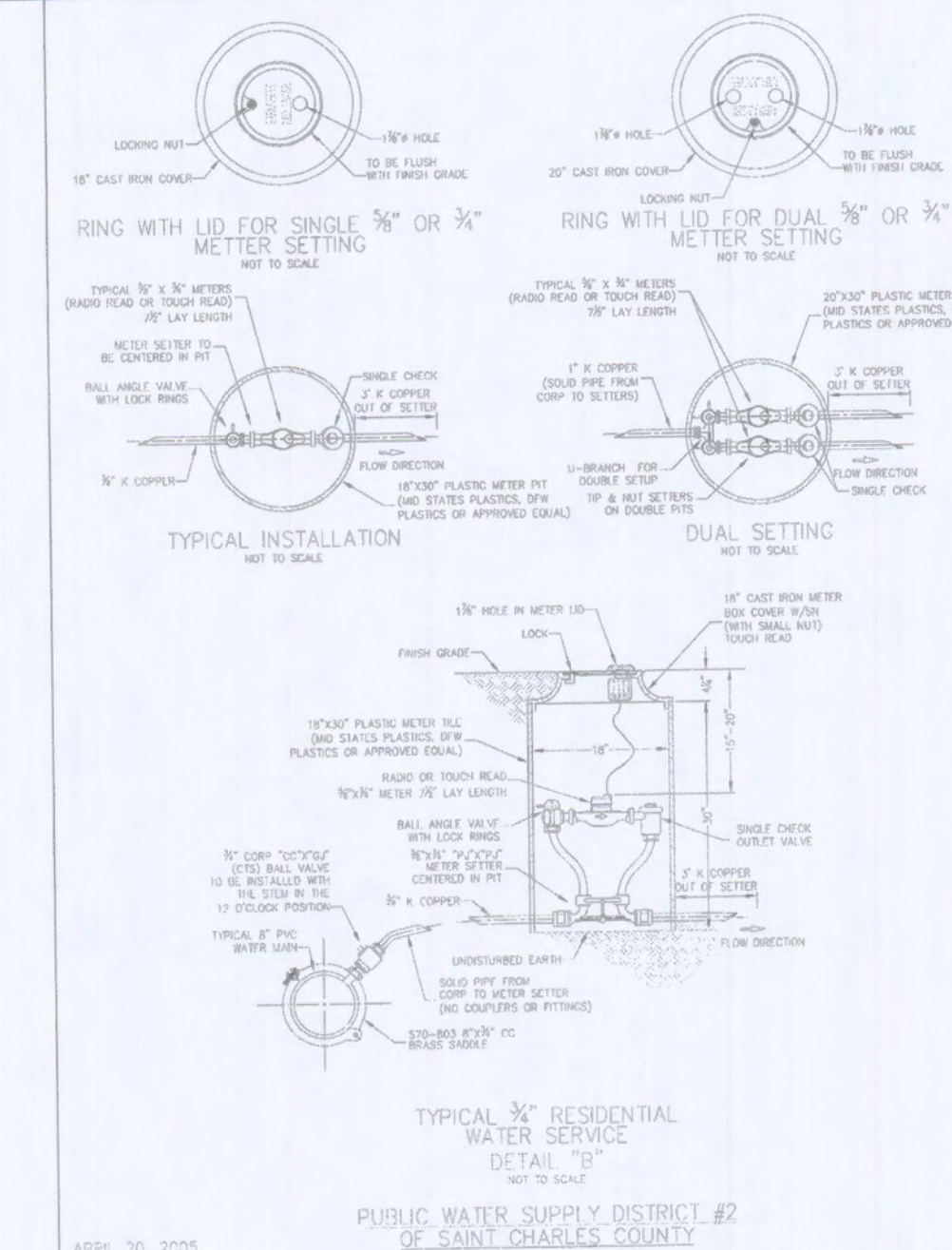
TYPICAL TRENCH SECTION
FOR DUCTILE IRON PIPE
NOT TO SCALE
DETAIL "A"
PAGE 2 OF 2



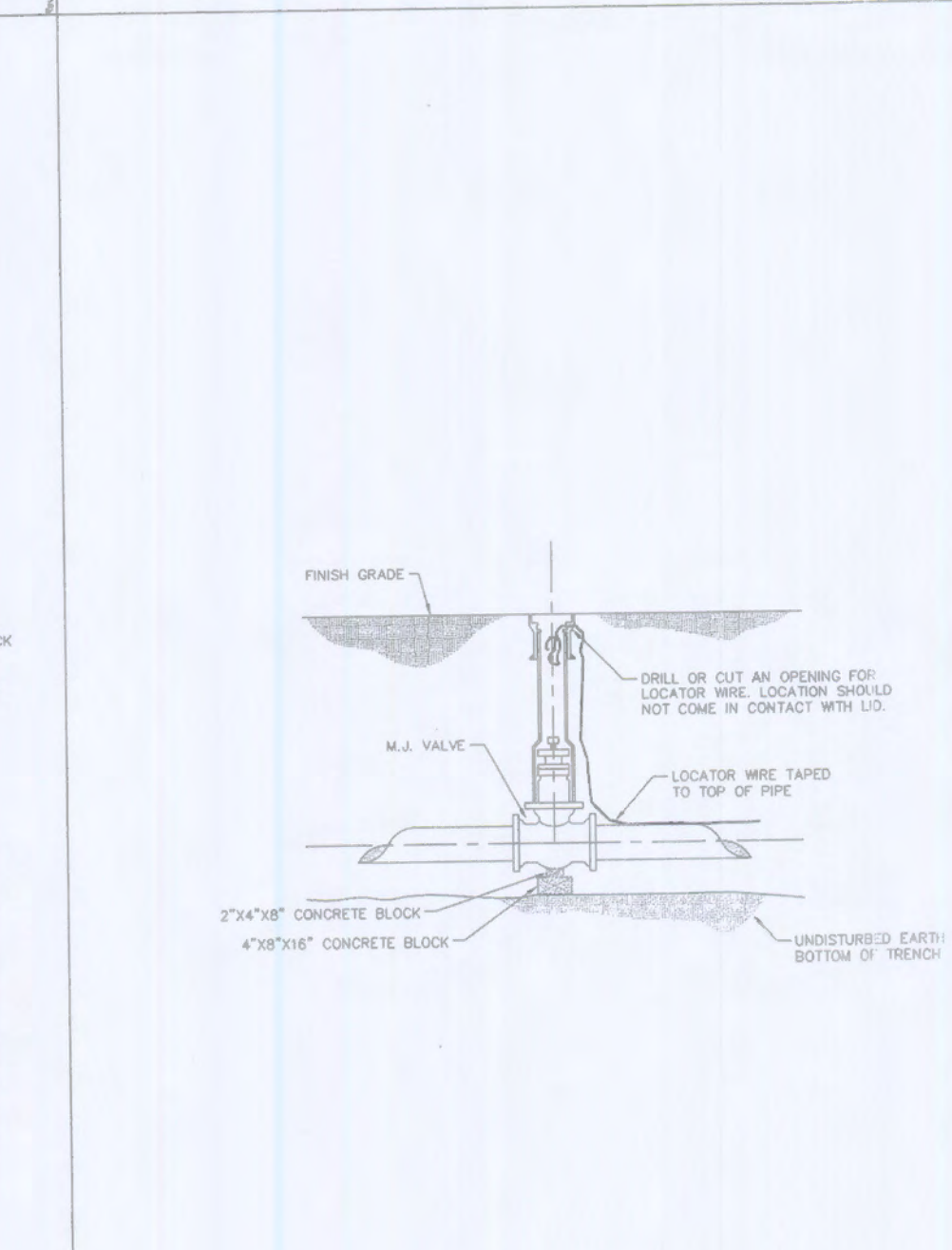
TYPICAL TRENCH SECTION
FOR PVC PIPE
NOT TO SCALE
DETAIL "A"
PAGE 1 OF 2



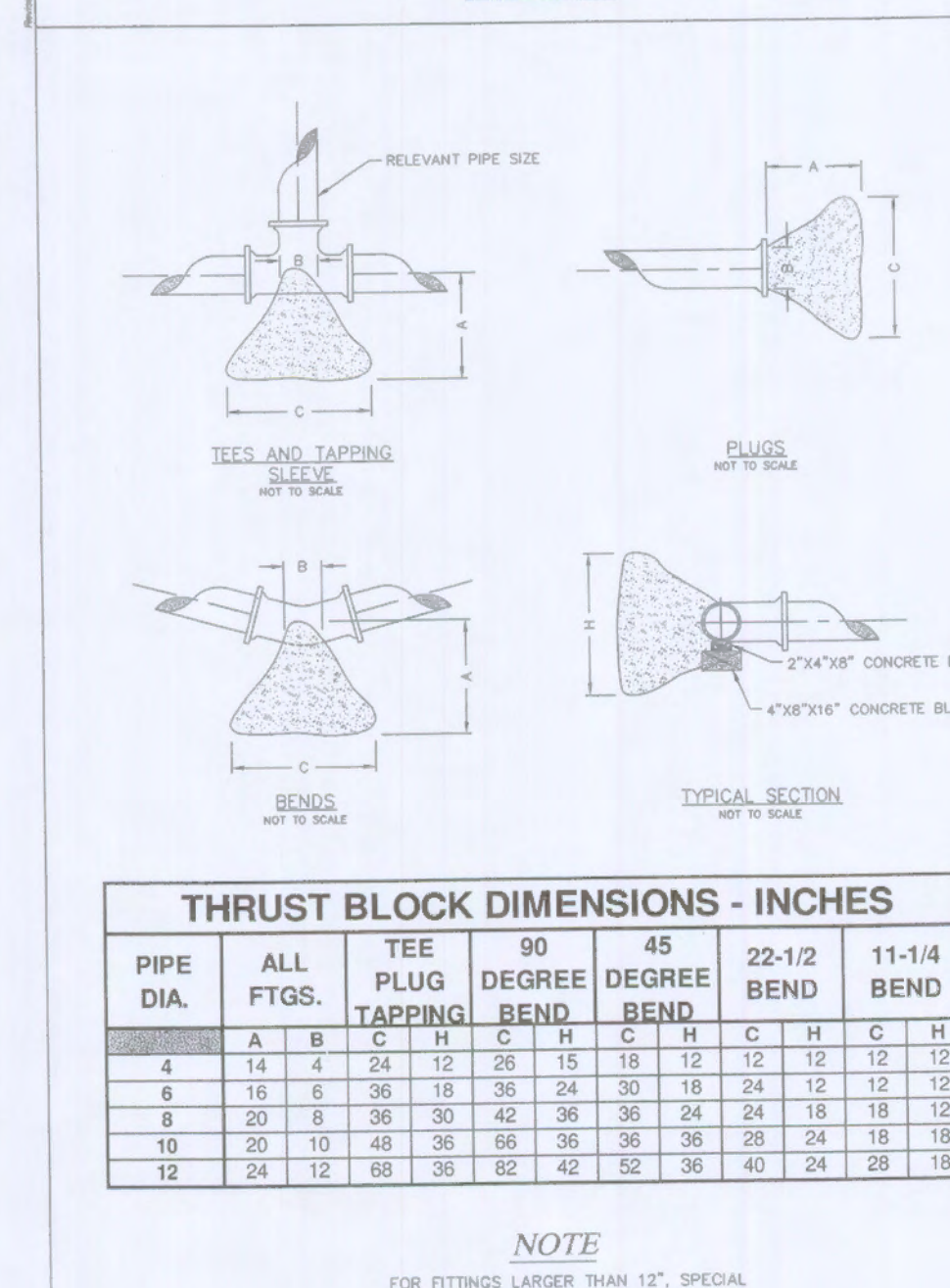
TYPICAL 1" RESIDENTIAL
WATER SERVICE
DETAIL "C"
NOT TO SCALE
PUBLIC WATER SUPPLY DISTRICT #2
OF SAINT CHARLES COUNTY



TYPICAL 3/4" RESIDENTIAL
WATER SERVICE
DETAIL "B"
NOT TO SCALE
PUBLIC WATER SUPPLY DISTRICT #2
OF SAINT CHARLES COUNTY



GATE VALVE DETAIL
DETAIL "D"
NOT TO SCALE



NOTE
FOR FITTINGS LARGER THAN 12" SPECIAL
RESTRAINT DESIGN ARE REQUIRED.
HORIZONTAL THRUST BLOCKING
DETAIL "C"
NOT TO SCALE