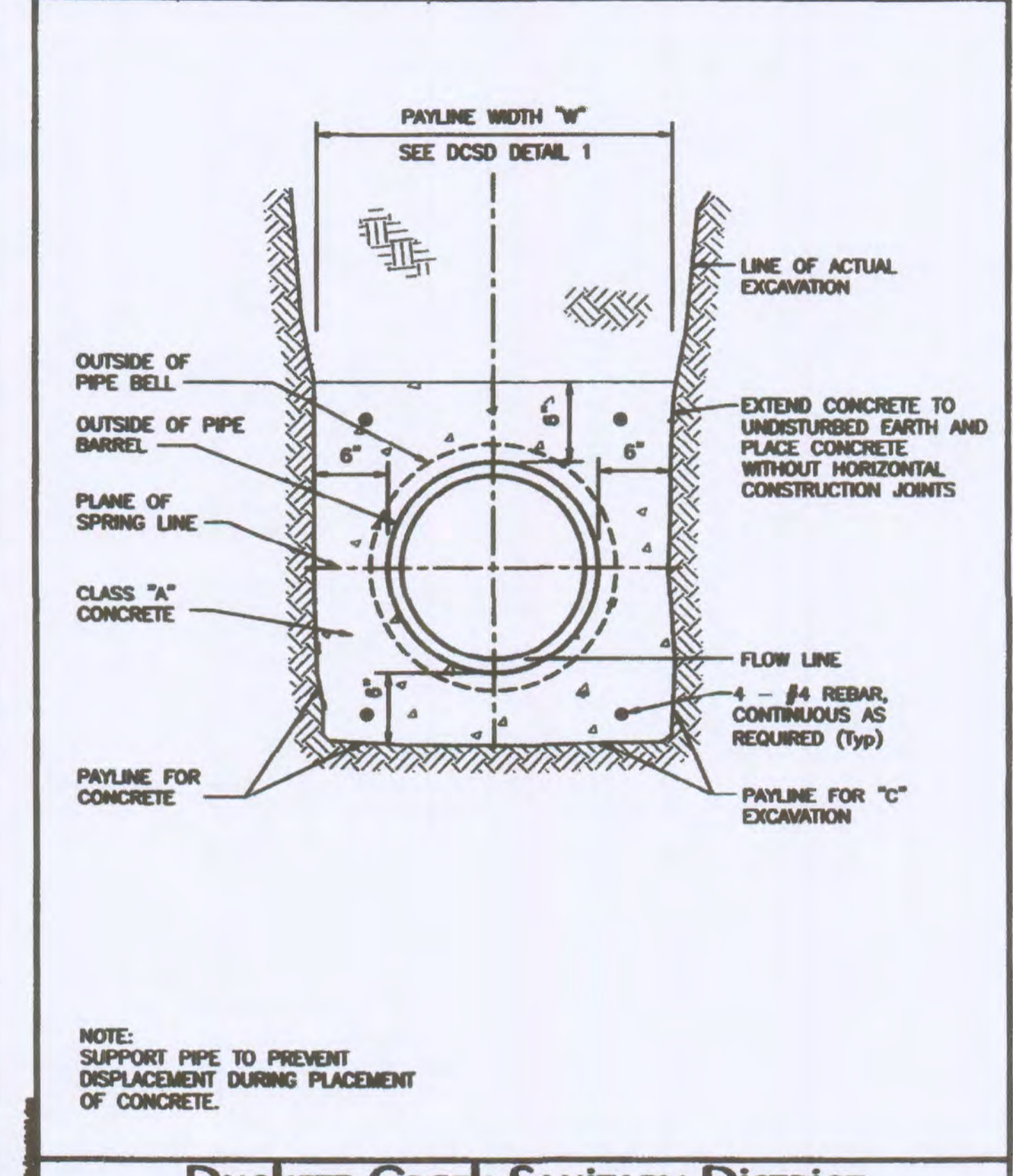
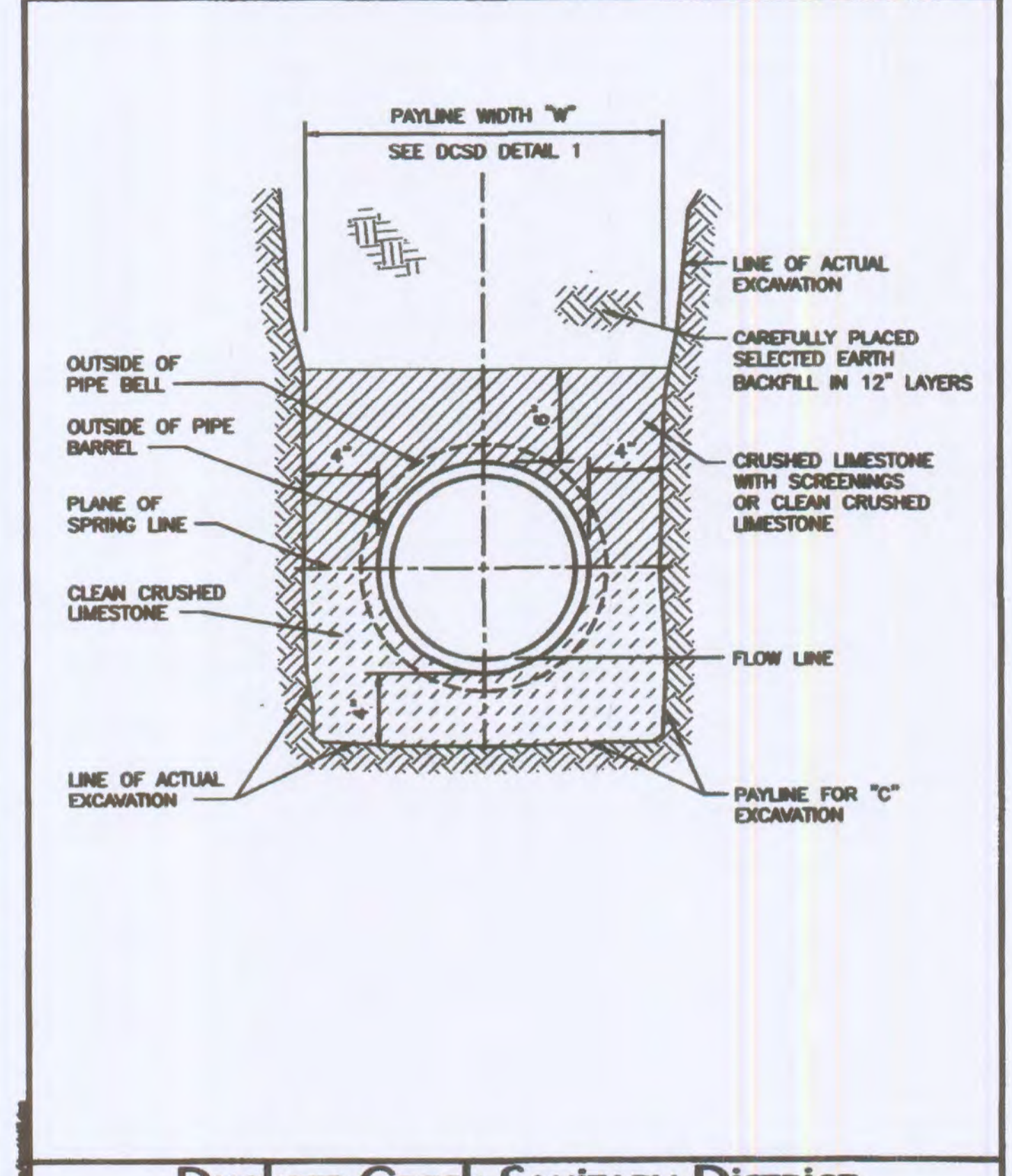
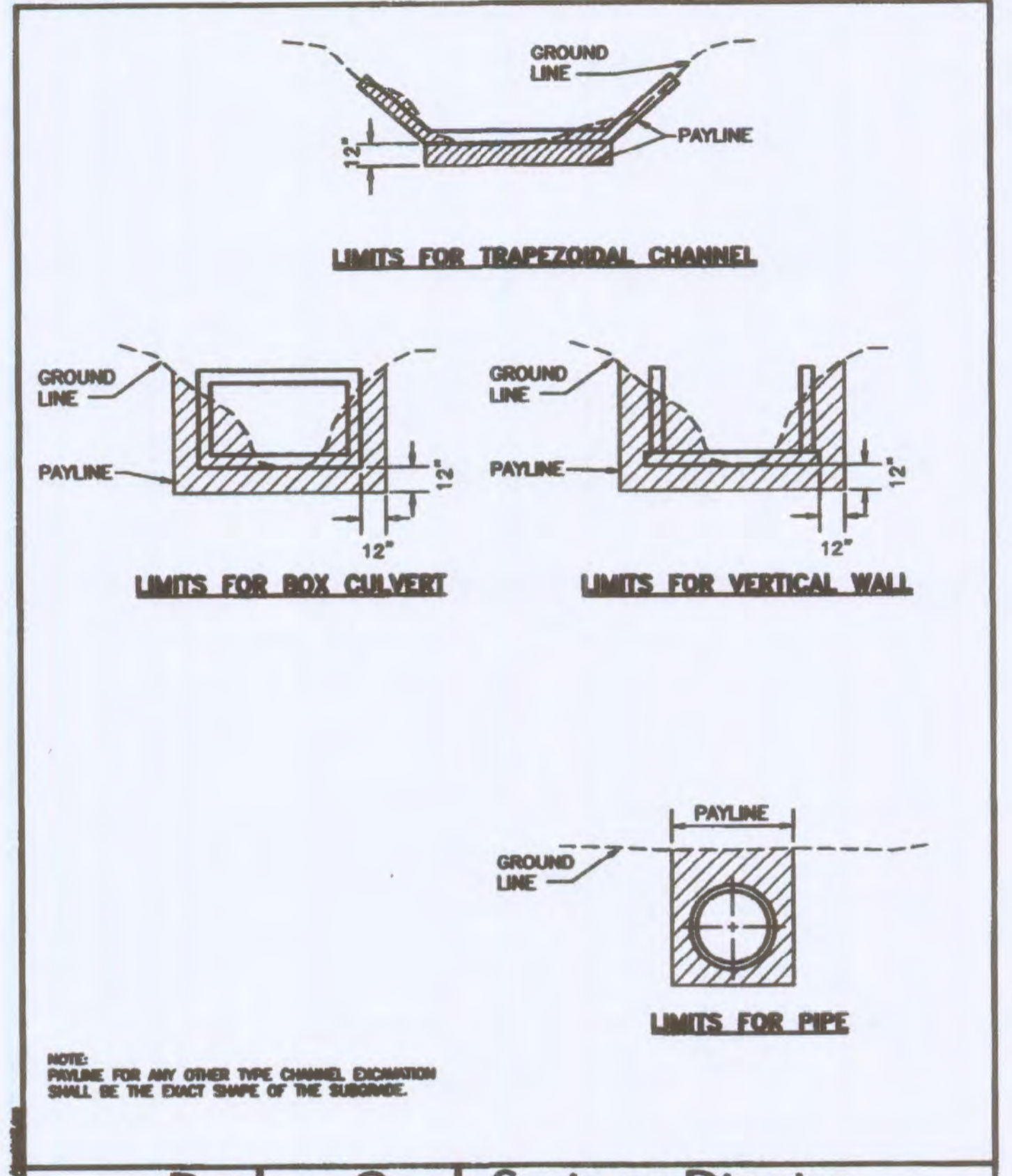


ISSUE	REMARKS/DATE
1	PWSD#2 Comments
2	11-20-2013 Revised per City, DCSD, & PWSD#2 Comments
3	12-16-2013 PWSD#2 Approval
4	01-03-2014 Revised per City Comments
5	02-11-2014 Revised per City Comments
6	03-11-2014 Approval

ROUND PIPE				HORIZONTAL ELLIPTICAL PIPE			
INSIDE DIAMETER OF PIPE (INCHES)	"W" PAYLINE WIDTH OF TRENCH (INCHES)	"W" PAYLINE WIDTH OF TRENCH (FEET)	PAY-VOLUMES CU. FT. PER FT. CONCRETE ENCASUREMENT	INSIDE DIAMETER OF PIPE (INCHES)	"W" PAYLINE WIDTH OF TRENCH (INCHES)	"W" PAYLINE WIDTH OF TRENCH (FEET)	PAY-VOLUMES CU. FT. PER FT. CONCRETE ENCASUREMENT
4	30	2.50	3.28				
6	30	2.50	3.59				
8	30	2.50	3.87				
10	30	2.50	4.09				
12	30	2.50	4.25				
15	36	3.00	5.55				
18	36	3.00	5.77	14 x 23	41	3.42	5.94
21	39	3.25	6.61				
24	42	3.50	7.39	19 x 30	49	4.08	7.68
27	45	3.75	8.18	22 x 34	53	4.42	8.61
30	49	4.08	9.30	24 x 38	58	4.83	9.70
33	53	4.42	10.53	27 x 42	62	5.17	10.71
36	56	4.67	11.43	29 x 45	66	5.50	11.72
39	DISCONTINUED						
42	63	5.25	13.38	32 x 49	71	5.92	13.14
48	70	5.83	15.67	38 x 60	83	6.92	16.18
54	77	6.42	18.15	43 x 68	92	7.67	18.81
60	84	7.00	20.73	48 x 76	101	8.42	21.50
66	91	7.58	23.45	53 x 83	109	9.08	24.35
72	98	8.17	26.37	58 x 91	118	9.83	27.45
78	105	8.75	29.39	63 x 98	126	10.50	30.50
84	112	9.33	32.57	68 x 106	135	11.25	33.91
90	119	9.92	35.90	72 x 113	143	11.92	36.99
96	126	10.50	39.37	77 x 121	152	12.67	40.89
102	133	11.08	42.99	82 x 128	160	13.33	44.45
108	140	11.67	46.75	87 x 136	168	14.00	47.79
114	147	12.25	50.66	92 x 143	176	14.67	51.70
120	154	12.83	54.72	97 x 151	185	15.42	56.01
126	161	13.42	58.92				
132	168	14.00	63.27	106 x 166	202	16.83	64.48
144	182	15.17	72.40	116 x 180	218	18.17	73.59



DUCKETT CREEK SANITARY DISTRICT

PAYLINE WIDTHS OF TRENCH AND PAY-QUANTITIES OF CONCRETE	BSM	KLA	1
	MDOB	12-21-99	

DUCKETT CREEK SANITARY DISTRICT

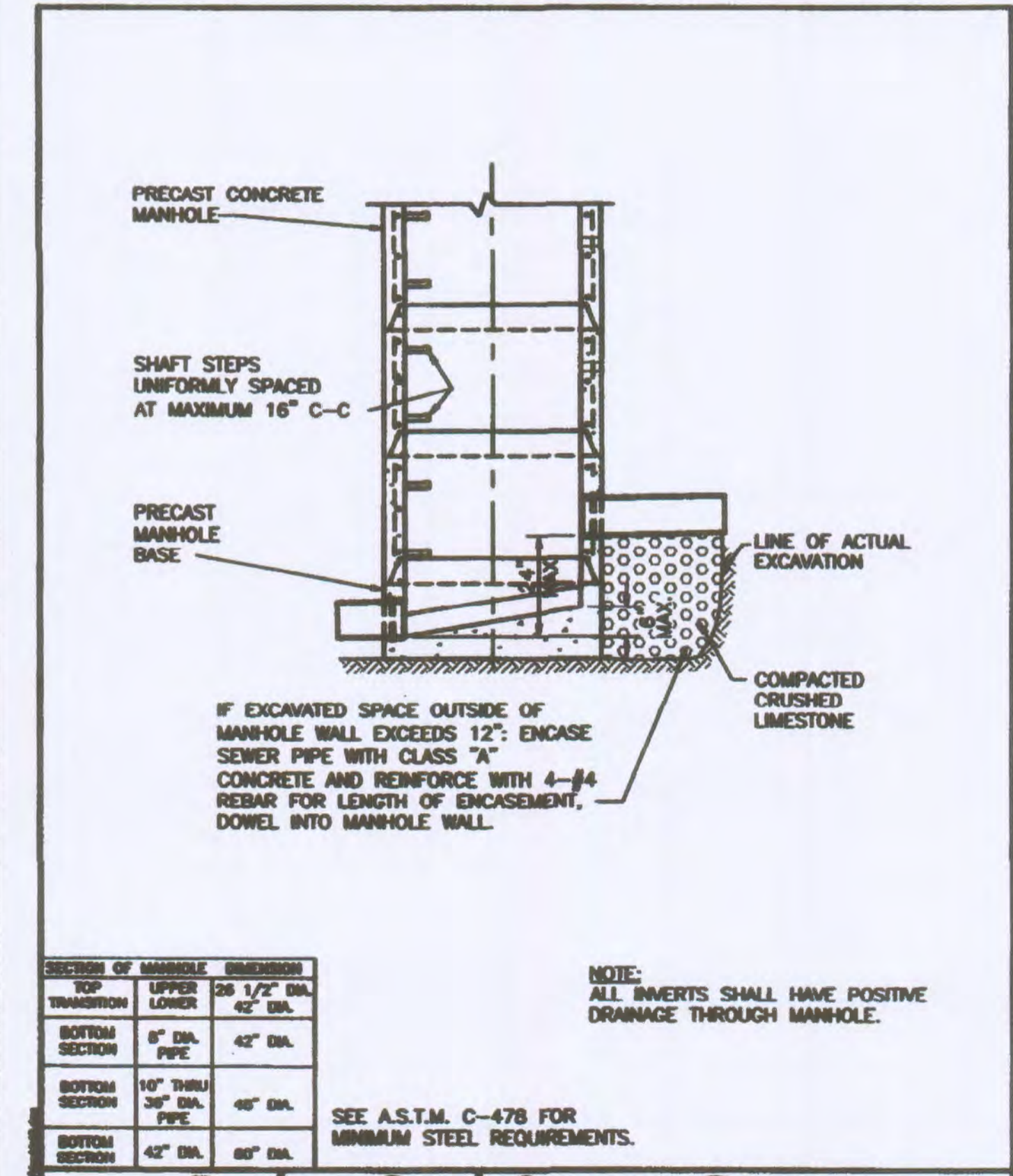
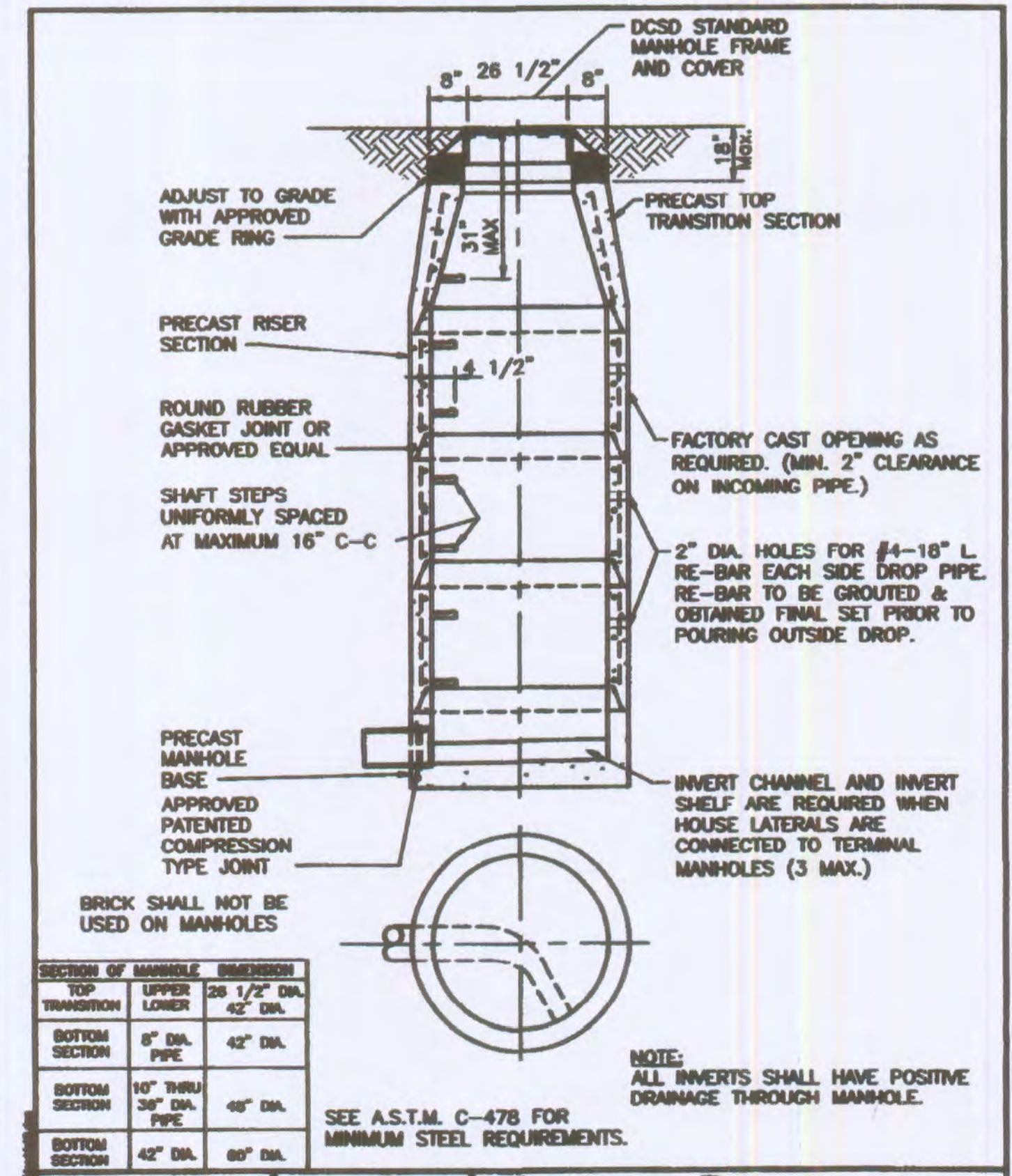
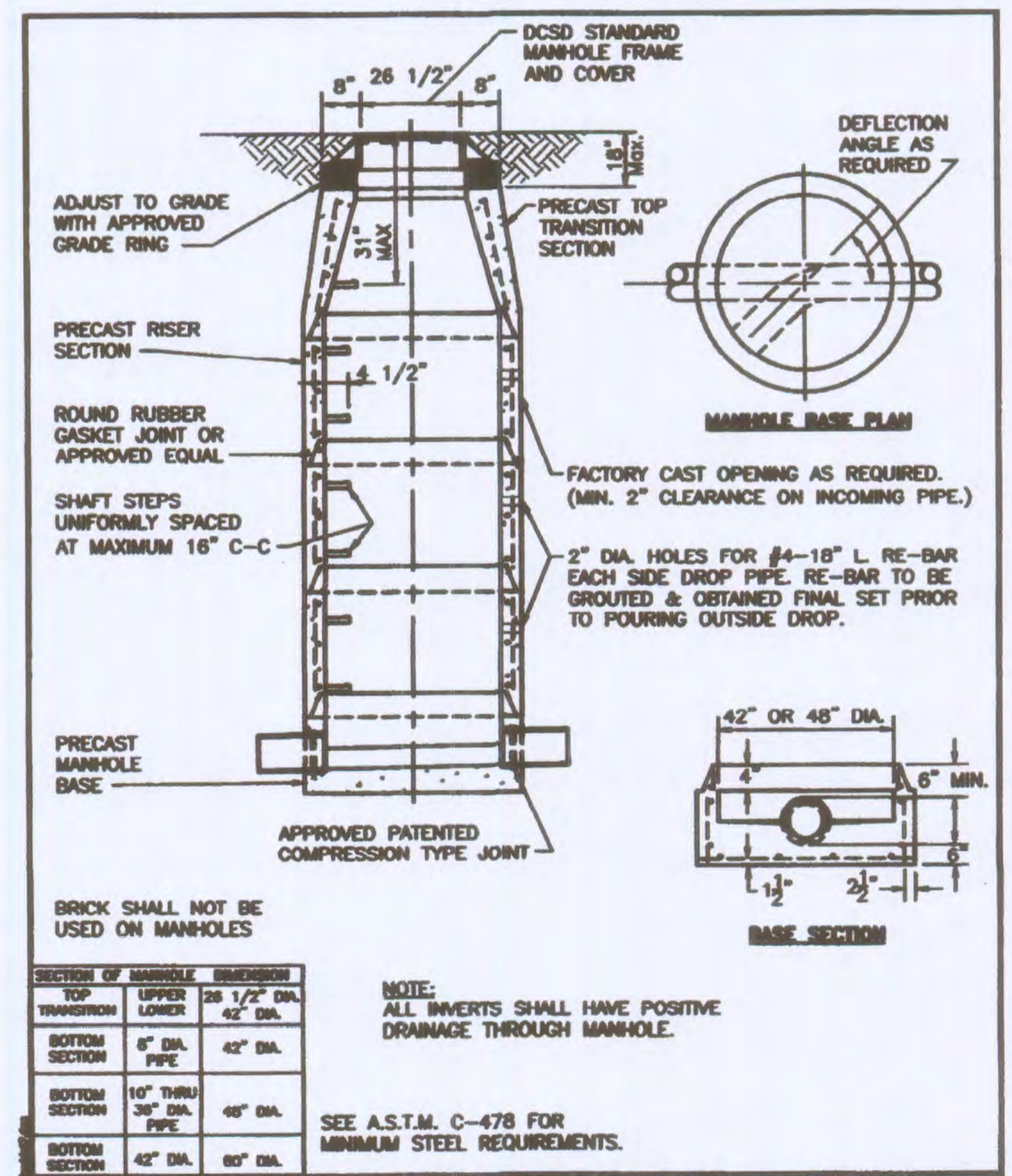
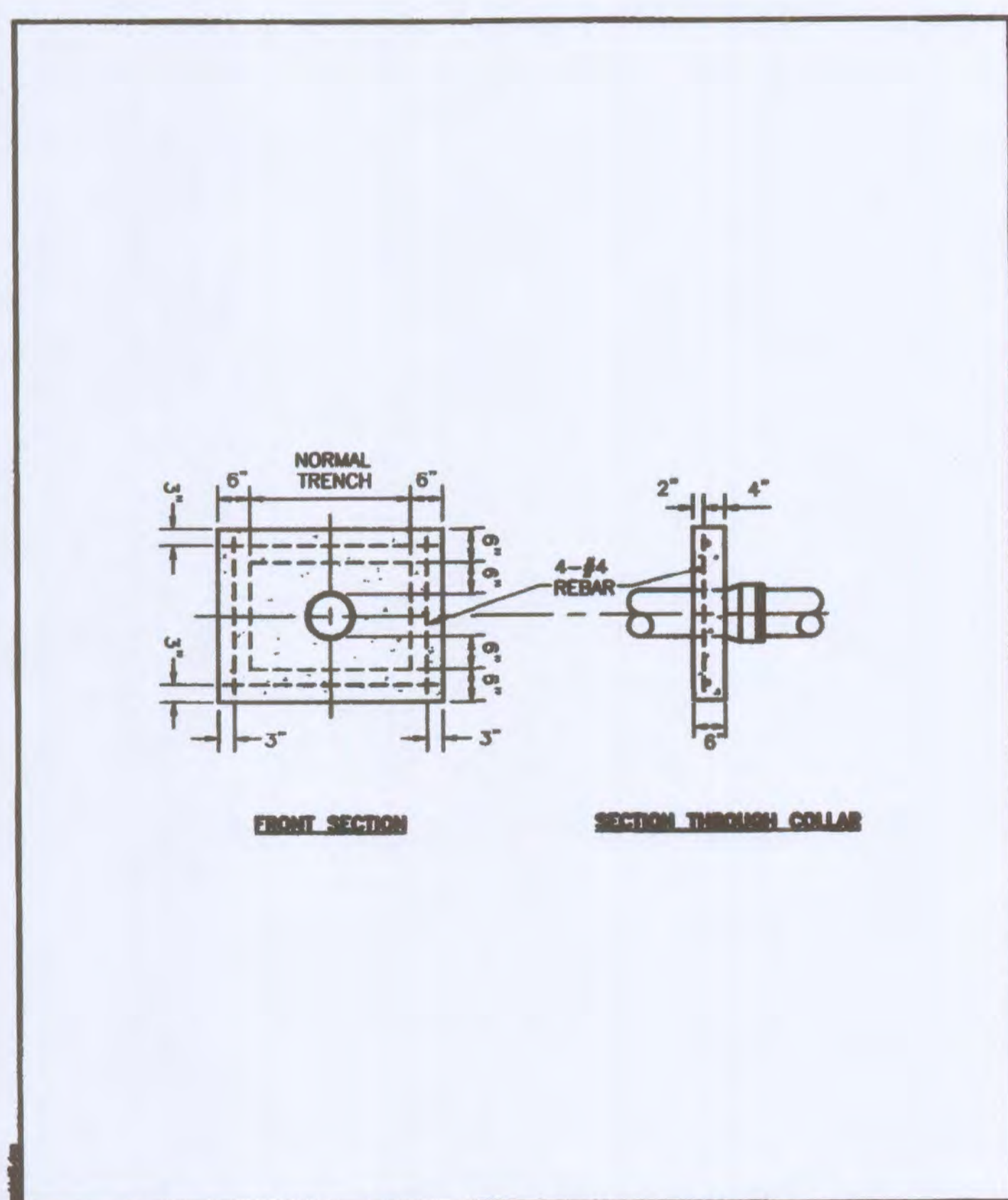
PAYLINE LIMITS FOR EXCAVATION	BSM	KLA	2
	MDOB	12-21-99	

DUCKETT CREEK SANITARY DISTRICT

PIPE BEDDING CLASS "C" (FOR ALL PIPE EXCEPT REINFORCED CONCRETE PIPE)	BSM	KLA	3
	MDOB	12-21-99	

DUCKETT CREEK SANITARY DISTRICT

TYPICAL CONCRETE ENCASUREMENT	BSM	KLA	4
	MDOB	12-21-99	



DUCKETT CREEK SANITARY DISTRICT

CONCRETE ANTI-SLIP COLLAR FOR PVC PIPE ON PIPE SLOPES FROM 15% TO 50%	BSM	KLA	5
	MDOB	12-21-99	

DUCKETT CREEK SANITARY DISTRICT

PRE-CAST CONCRETE MANHOLE FOR SEWERS 8" THROUGH 18"	BSM	KLA	7
	MDOB	12-30-99	

DUCKETT CREEK SANITARY DISTRICT

TERMINAL MANHOLE FOR SEWERS 8" THROUGH 18"	BSM	KLA	8
	MDOB	01-03-00	

DUCKETT CREEK SANITARY DISTRICT

INSIDE FOULWATER DROP MANHOLE (SWEEP INVERT)	BSM	KLA	9
	MDOB	01-04-00	

PROJECT TITLE

THE STERLING CO. ENGINEERS & SURVEYORS
 5055 New Baumgartner Road
 St. Louis, Missouri 63129
 Ph 314-487-0440 Fax 314-487-8944
 www.sterling-eng-sur.com
 Corporate Certificate of Authority #001048

OAKHURST
OF FALLON, MISSOURI

Date: Michael G. Bording
License No. MO E-28643
Civil Engineer

LOMBARDO HOMES
 2299 Technology Drive
 O'Fallon, Missouri 63368
 Ph: 636-285-2710

SANITARY SEWER DETAILS

P+Z No.	207,02
City No.	
Date:	July 22, 2013
Job No.	12-10-284
Page No.	

DTL-4