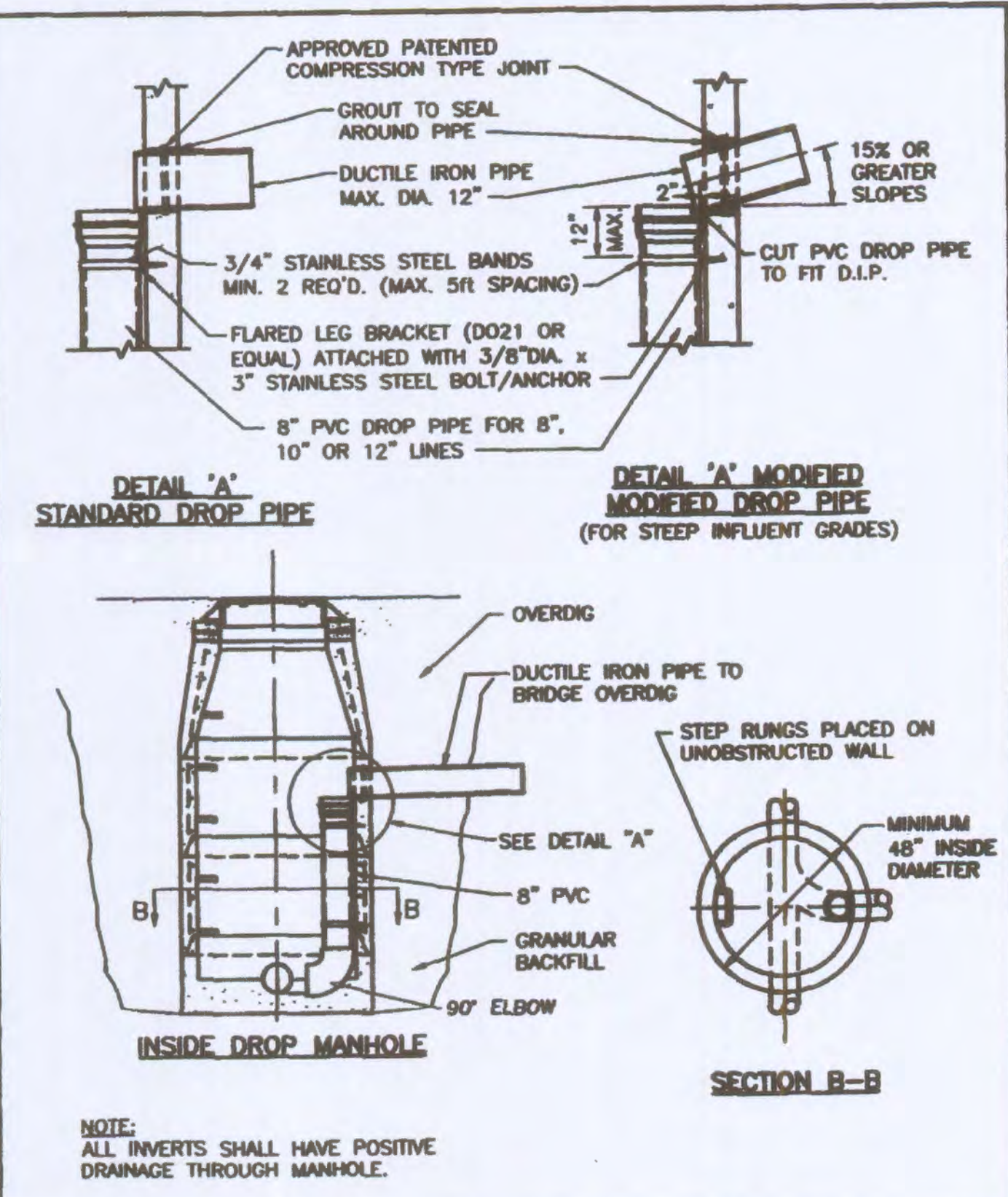
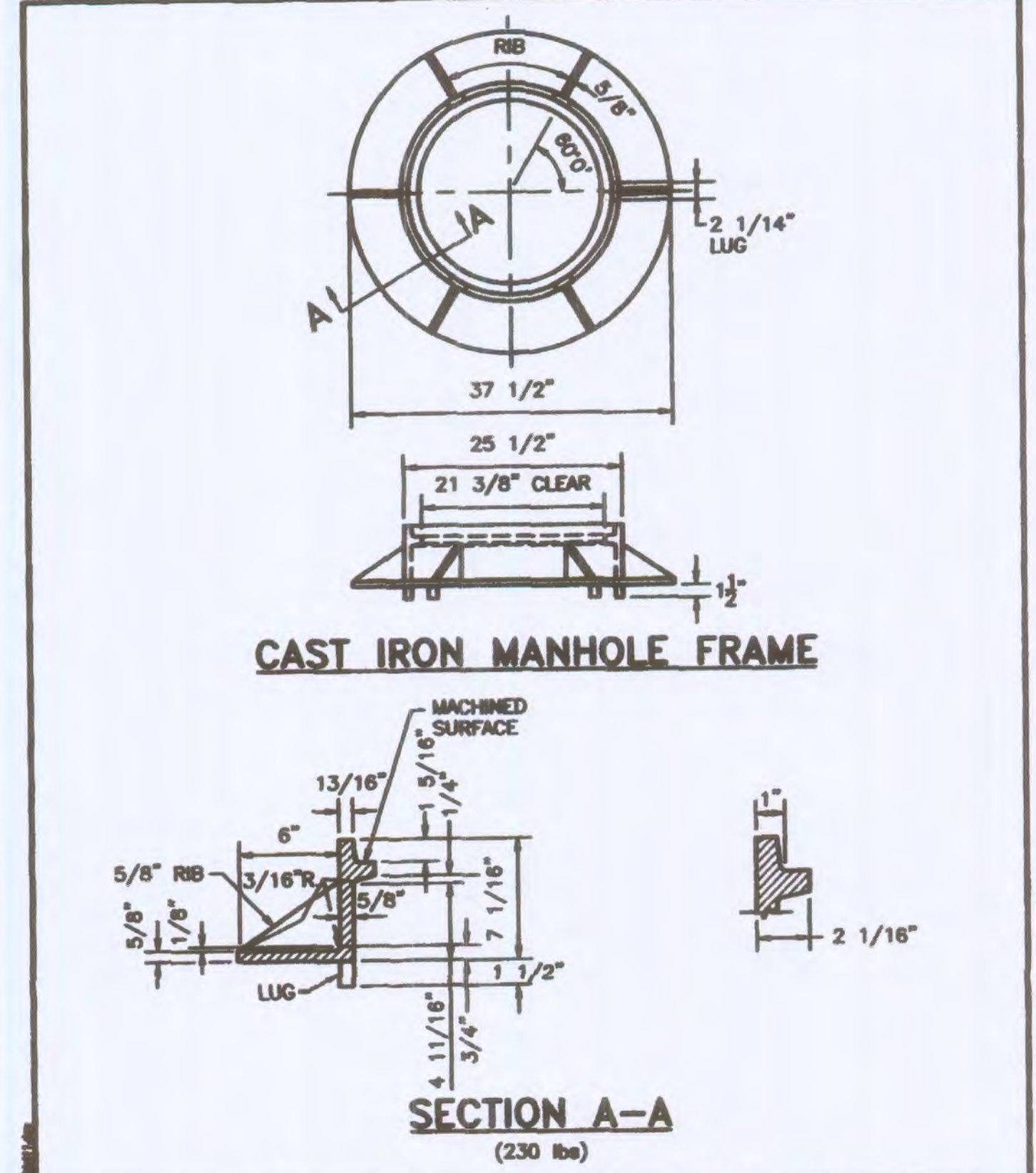


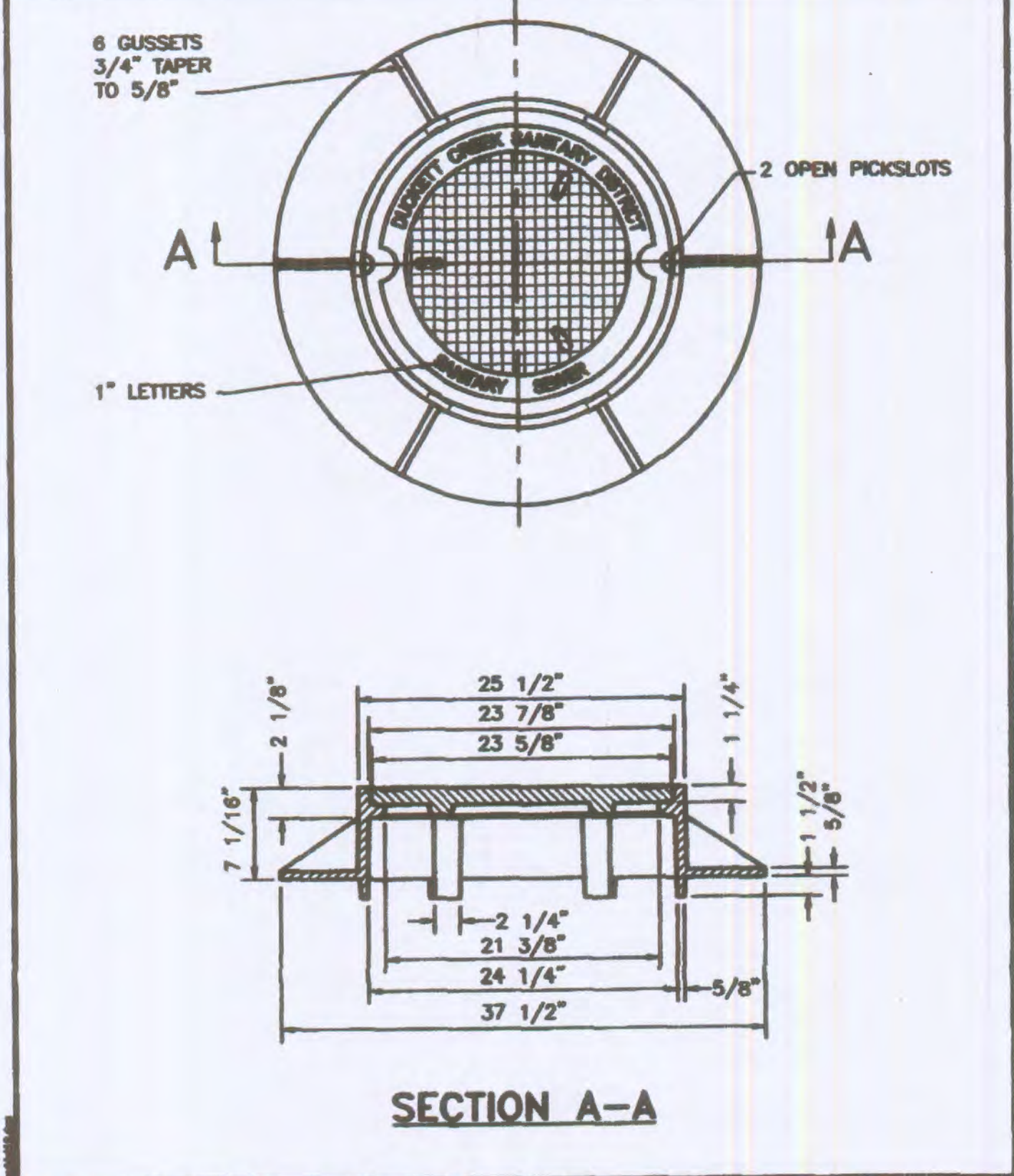
ISSUE	REMARKS/DATE
1	10-07-2013 Revised per City, DCSD, & PWS#2 Comments
2	11-20-2013 Revised per City, DCSD, & PWS#2 Comments
3	12-16-2013 PWS#2 Approval
4	01-03-2014 Revised per City Comments
5	02-11-2014 Revised per City Comments
6	03-11-2014 Approval



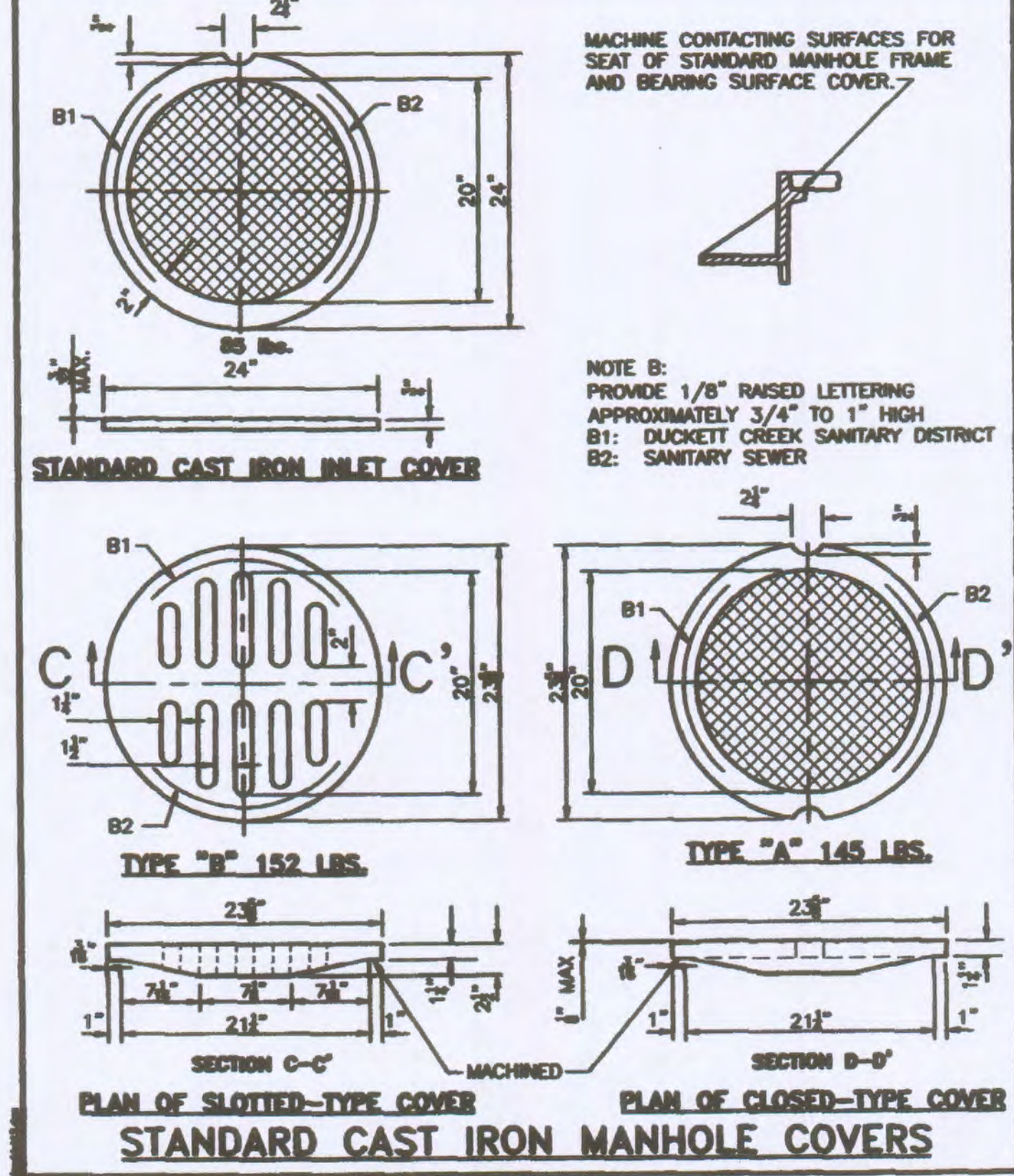
**Duckett Creek Sanitary District**  
INSIDE DROP MANHOLE  
BSM: MDOB, KLA: 01-10-00, Sheet No. 10



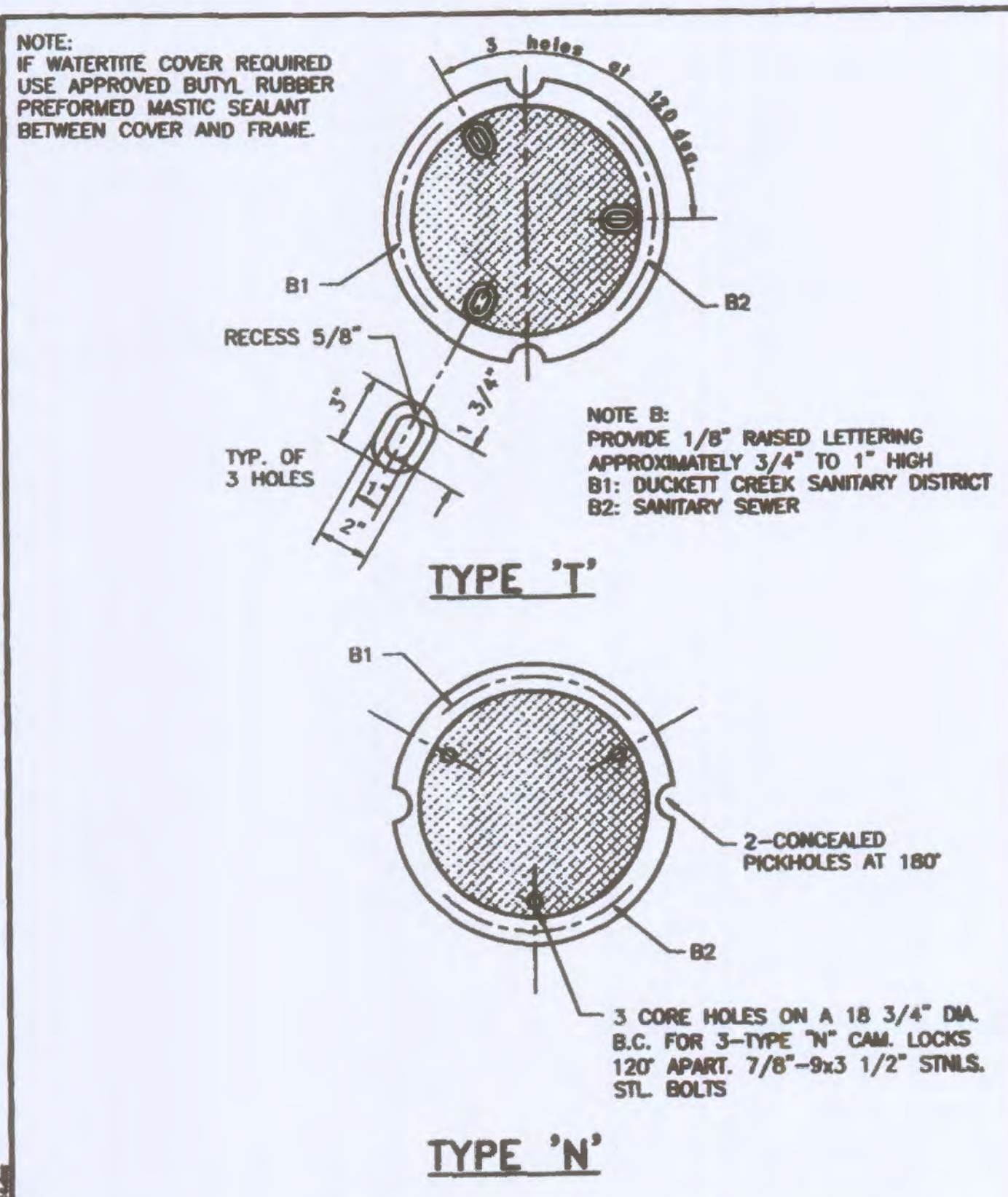
**Duckett Creek Sanitary District**  
CAST IRON MANHOLE FRAME  
BSM: MDOB, KLA: 01-14-00, Sheet No. 11



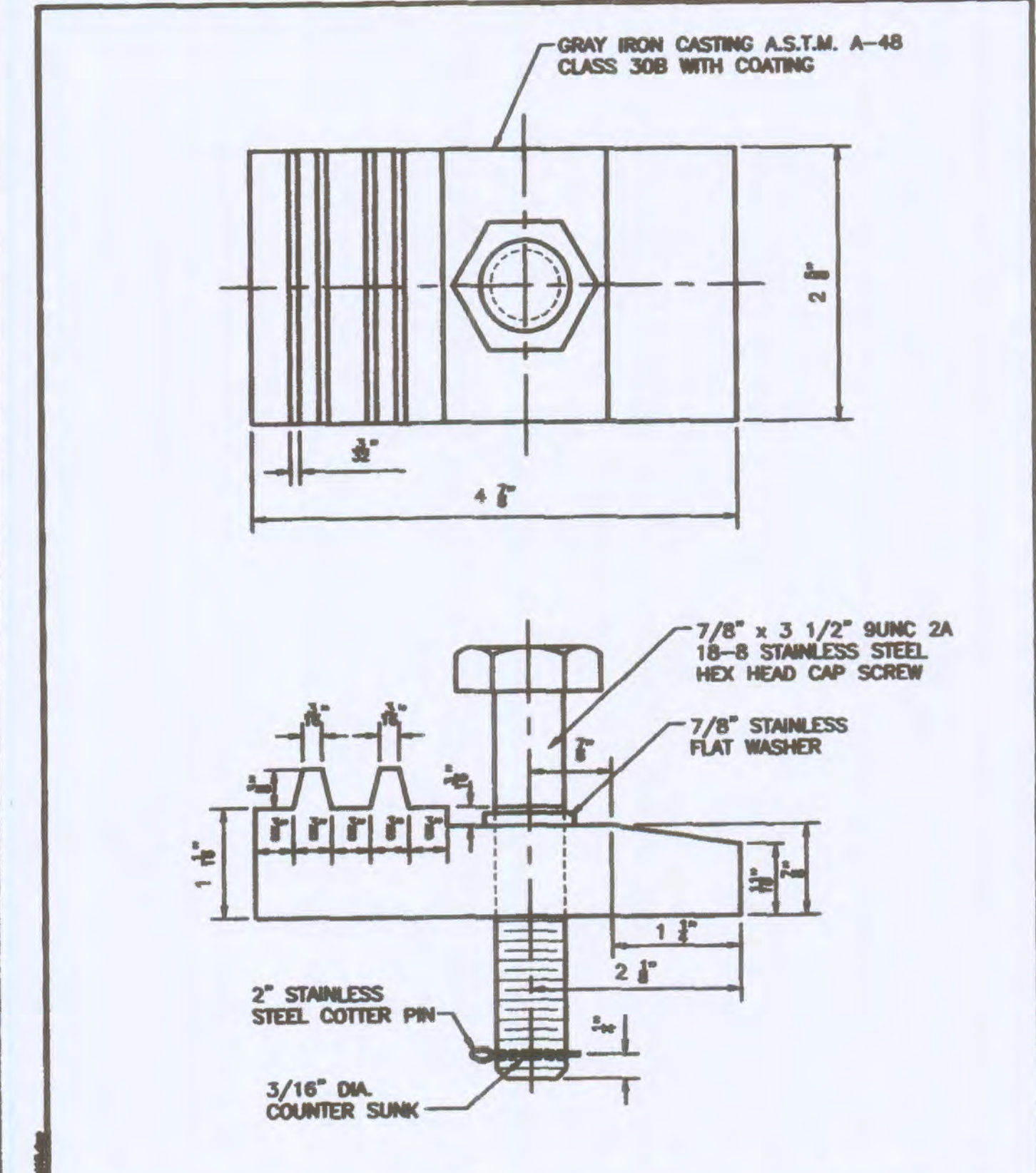
**Duckett Creek Sanitary District**  
MANHOLE FRAME AND COVER  
BSM: MDOB, KLA: 01-14-00, Sheet No. 12



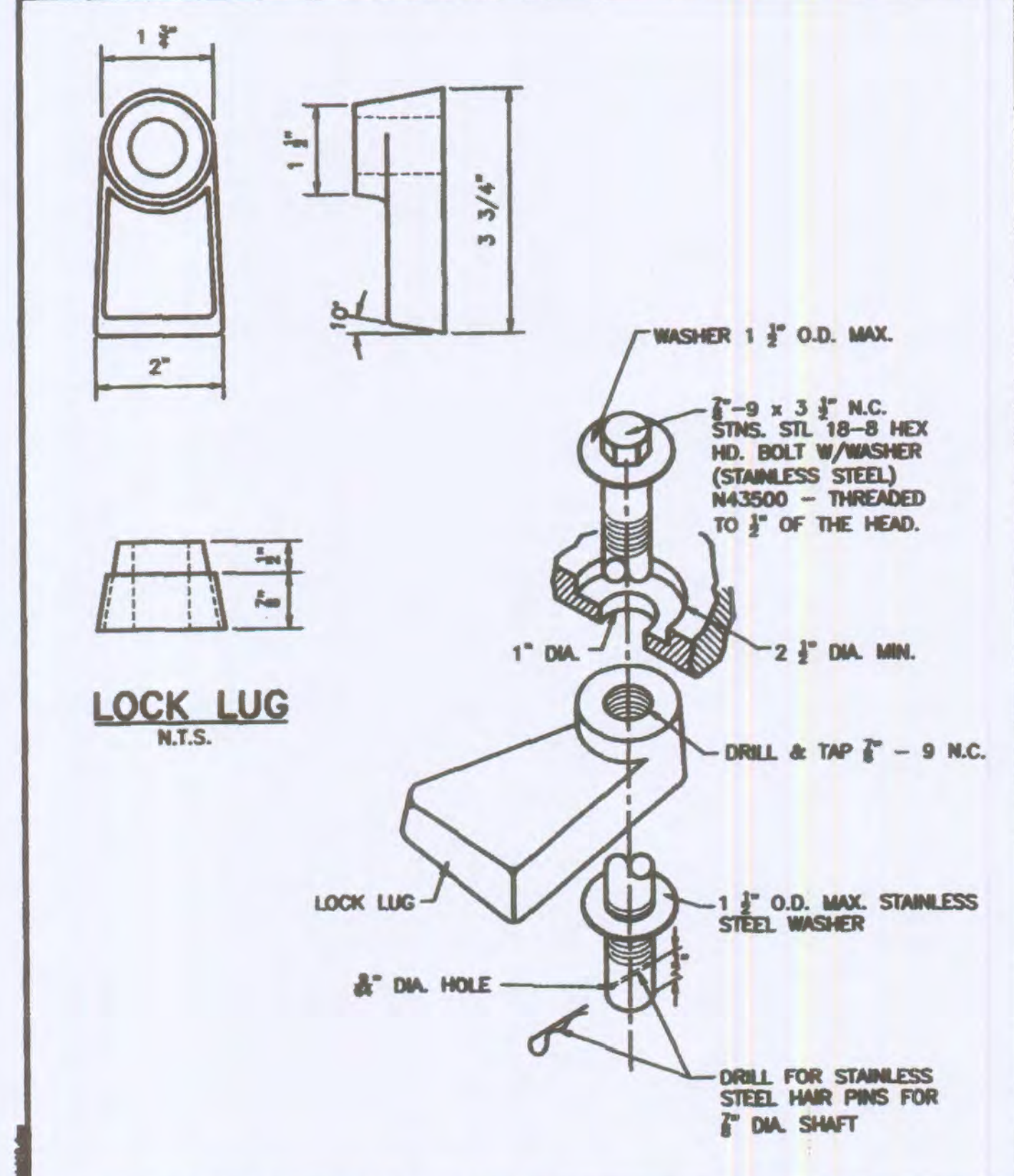
**Duckett Creek Sanitary District**  
CAST IRON COVERS MANHOLES AND INLETS  
BSM: MDOB, KLA: 12-22-00, Sheet No. 13



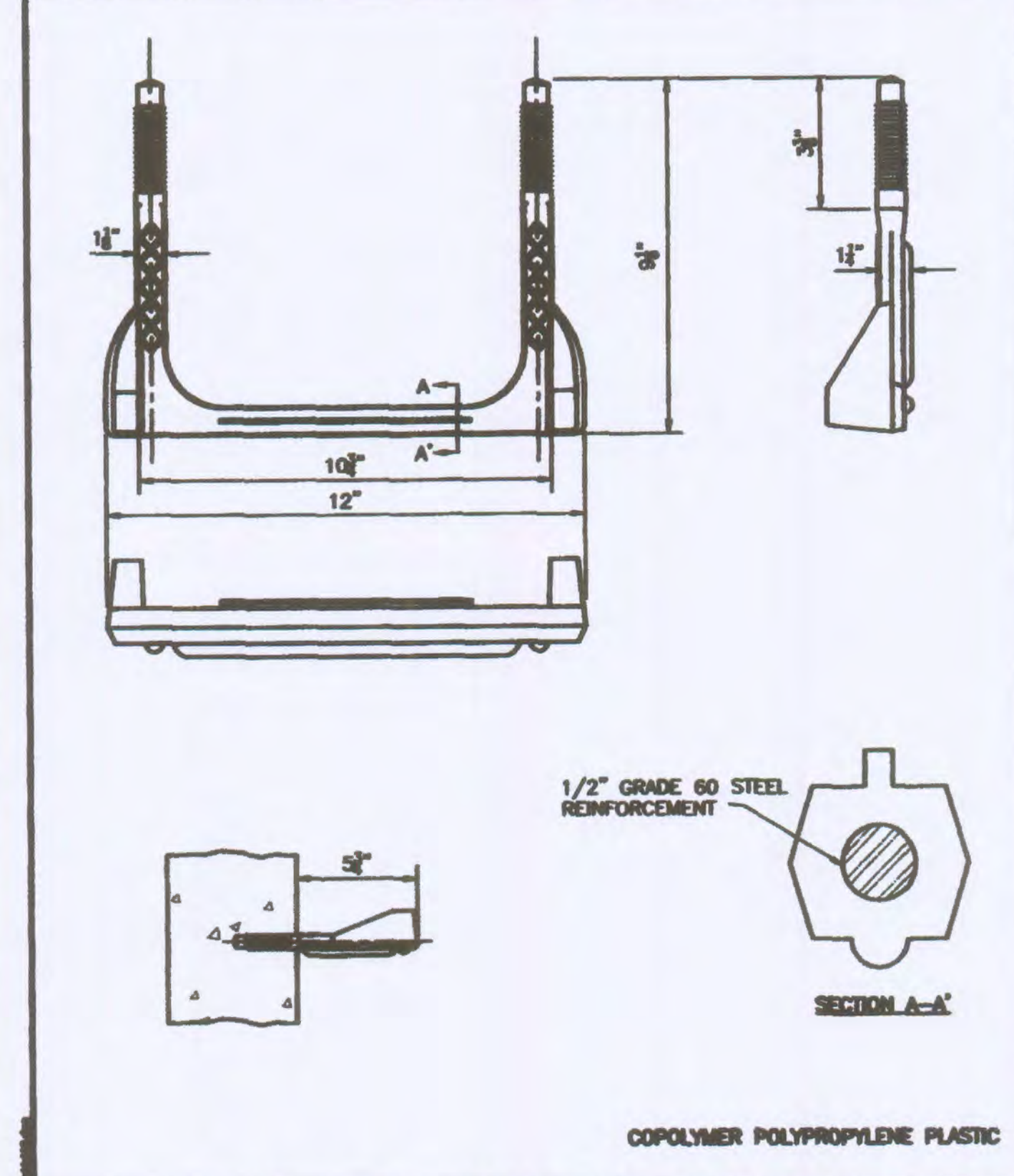
**Duckett Creek Sanitary District**  
CAST IRON MANHOLE COVERS (LOCK TYPE)  
BSM: MDOB, KLA: 12-27-00, Sheet No. 14



**Duckett Creek Sanitary District**  
LOCKING DEVICE FOR TYPE "N" LOCK TYPE MANHOLE COVER  
BSM: MDOB, KLA: 12-27-00, Sheet No. 15



**Duckett Creek Sanitary District**  
LOCKING DEVICE FOR TYPE "N" LOCK TYPE MANHOLE COVER  
BSM: MDOB, KLA: 12-28-00, Sheet No. 16



**Duckett Creek Sanitary District**  
MANHOLE STEP PRECAST MANHOLE  
BSM: MDOB, KLA: 1-3-01, Sheet No. 18

PROJECT TITLE

**OAKHURST**  
OF FALLON, MISSOURI

**THE STERLING CO.**  
ENGINEERS & SURVEYORS  
5055 New Baumgartner Road  
St. Louis, Missouri 63129  
Ph. 314-487-5440 Fax. 314-487-8944  
www.sterling-eng-sur.com  
Corporate Certificate of Authority #01348

The Professional Engineer's seal and signature offered in this document are the result of the engineer and their firm's compliance with the Missouri State Board of Professional Engineers and Surveyors. The engineer hereby certifies that the work shown on this document was prepared by the engineer, and the engineer represents that the work shown on this document is the true and correct work of the engineer and their firm.

*Michael G. Boerling*  
Professional Engineer  
No. 000000000  
E-26643

Date: Michael G. Boerling  
License No. MO E-26643  
Civil Engineer

**LOMBARDO HOMES**  
2299 Technology Drive  
OF Fallon, Missouri 63368  
Ph. 636-265-2710

**SANITARY SEWER DETAILS**

P+Z No. 207.02  
City No.  
Date: July 22, 2013  
Job No. 12-10-284  
Page No.

**DTL-5**  
IMP