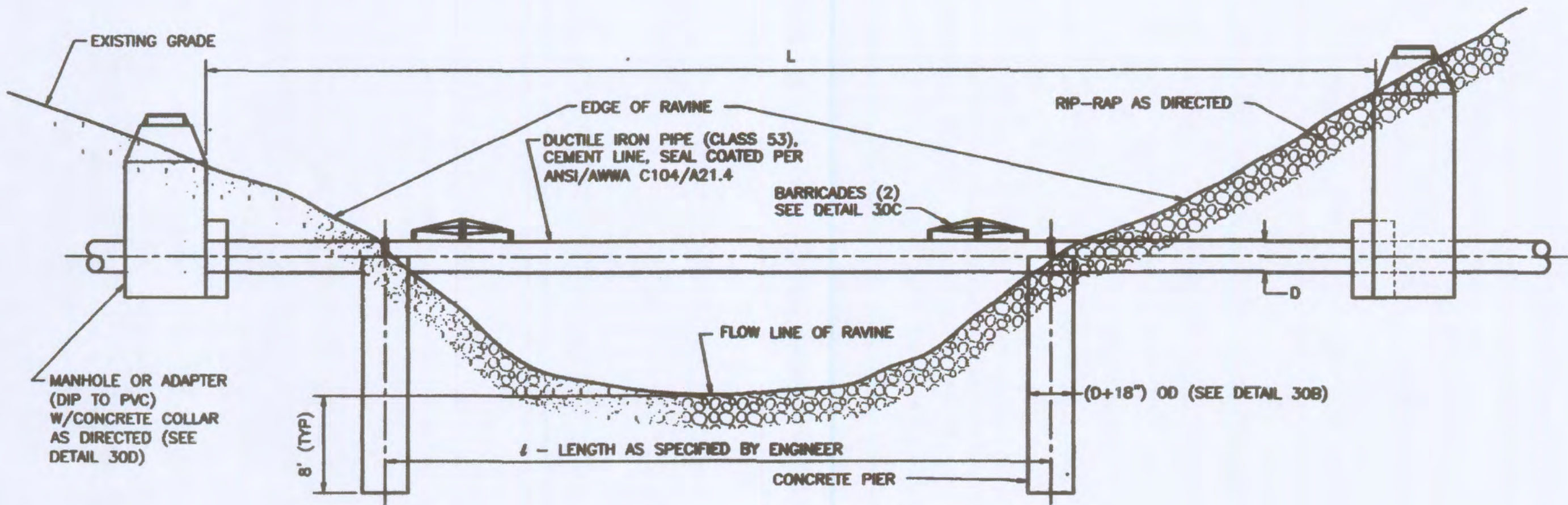
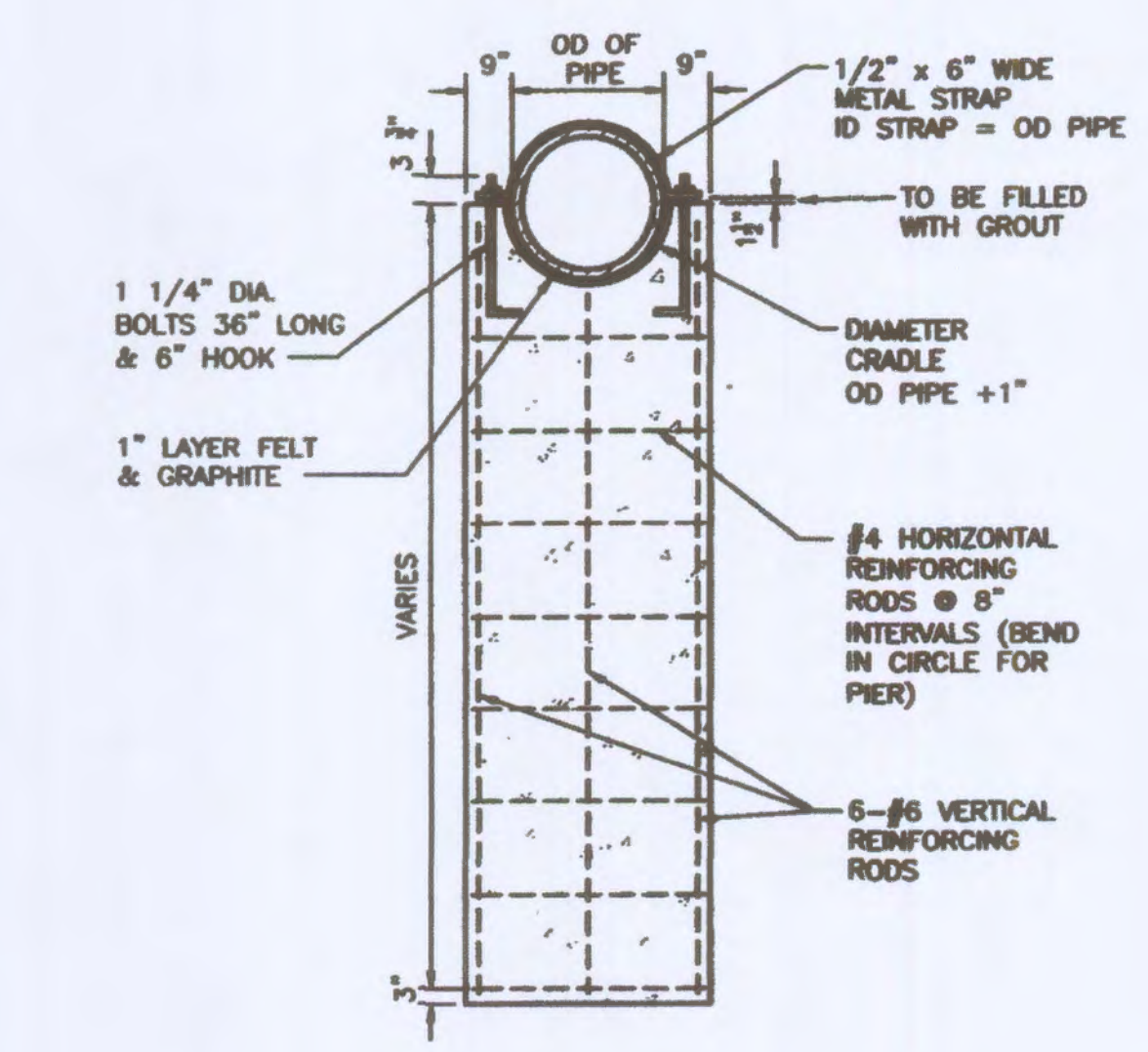


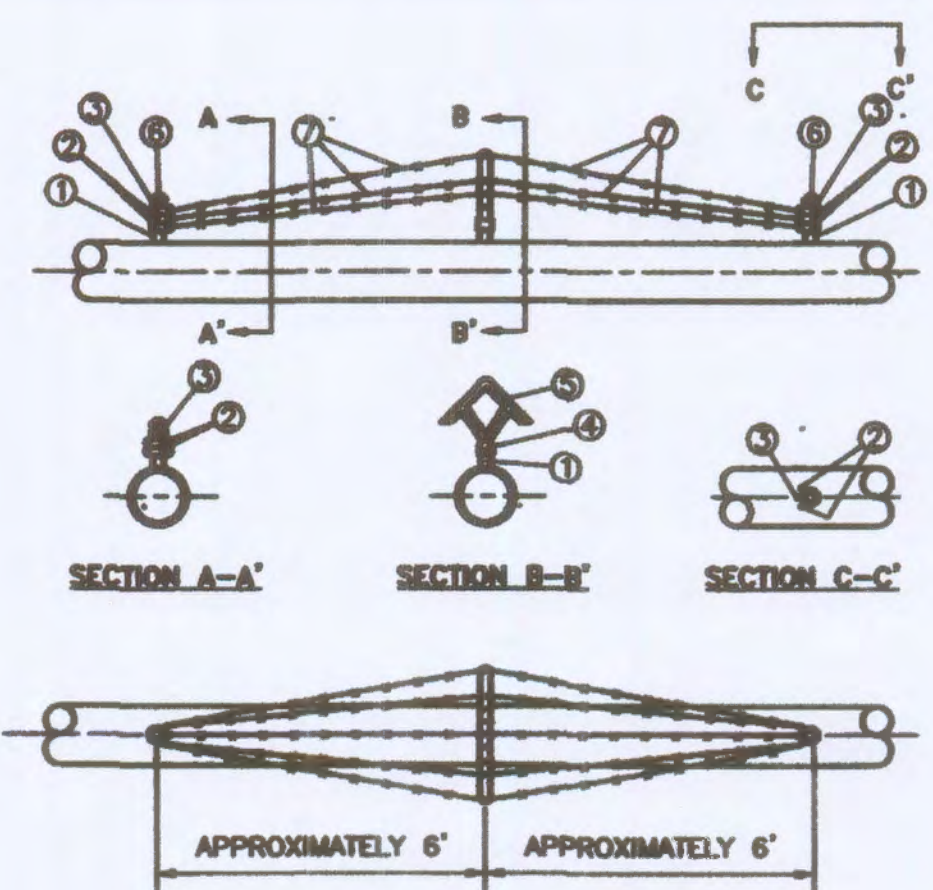
ISSUE	REMARKS/DATE
1	10-07-2013 Revised per City, DCSD, & PWSD#2 Comments
2	11-20-2013 Revised per City, DCSD, & PWSD#2 Comments
3	12-16-2013 PWSD#2 Approval
4	01-03-2014 Revised per City Comments
5	02-11-2014 Revised per City Comments
6	03-11-2014 Approval



**DUCKETT CREEK SANITARY DISTRICT**  
 AERIAL CREEK CROSSING  
 DETAIL  
 Scale: BSM, MDOB  
 App: KLA  
 Date: 1-10-01  
 Sheet No. 30A



**DUCKETT CREEK SANITARY DISTRICT**  
 CONCRETE PIER  
 DETAIL  
 Scale: BSM, MDOB  
 App: KLA  
 Date: 1-9-01  
 Sheet No. 30B



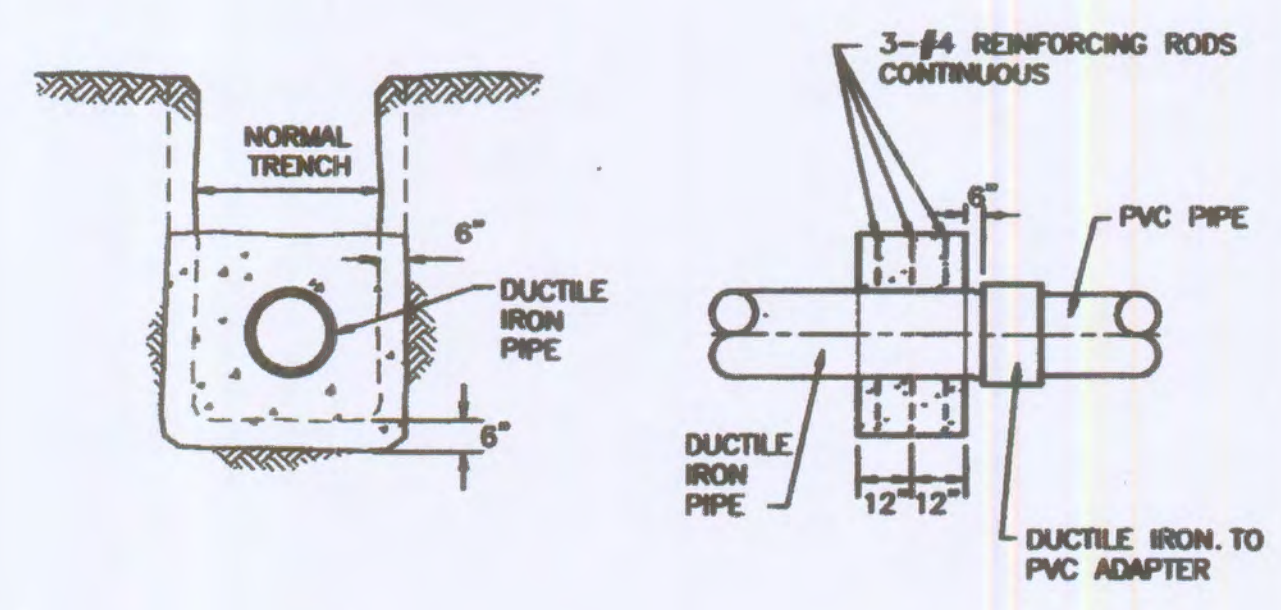
**DUCKETT CREEK SANITARY DISTRICT**  
 AERIAL CROSSING BARRIER  
 DETAIL  
 Scale: BSM, MDOB  
 App: KLA  
 Date: 1-9-01  
 Sheet No. 30C

NO.	QTY	STK. NO.	SIZE	DESCRIPTION
1	6"	38280	1 1/2" x 5"	NIPPLE, STL. SCRL.
2	8		3/8" DIA. W/ 5/8"	BRACE BARS, GALV.
3	4		3/8" DIA. W/ 5/8"	BRACE BARS, GALV.
4	2		2" OD x 5/8"	UNIVERSAL BASE, GALV.
5	2		NORTHLAND S STRD.	ANIL. STL., GALV. W/BOLTS
6	4		NORTHLAND #1	CAP. ACORN, GALV. W/SET SCREW
7	1"	58280	1/2" DIA. W/ 1/2" GAUGE	WIRE, BARBED, GALV.

**NOTES:**  
 1. "BILL OF MATERIALS" PROVIDES SUFFICIENT MATERIAL FOR TWO BARRICADES.  
 2. LOCATION OF BARRICADES ON PIPING SYSTEM TO BE AS SPECIFIED ON APPROVED CONSTRUCTION DRAWINGS.  
 3. TWO BARRICADES WILL BE REQUIRED, ONE AT EACH END OF THE CROSSING AS A DETERRENT AGAINST FOOT TRAFFIC. IN SOME INSTANCES ADDITIONAL BARRICADES MAY BE REQUIRED.  
 4. COAT ANY EXPOSED PIPE WITH MASTIC, STOCK #51857.

\* 1 1/2" BARE PIPE ON JOB MAY BE SUBSTITUTED FOR 1 1/2" x 5" NIPPLE. SCREW THREADS NOT NECESSARY.  
 \*\* CONTACT SUPERVISOR BEFORE ORDERING BARBED WIRE. BARBED WIRE SUPPLIED IN 1320' ROLLS ONLY, NOT RETURNABLE.

CROSSING NO.	TOTAL LENGTH OF PIPE L	LENGTH BETWEEN C OF PIPE SUPPORTS I	CARRIER PIPE OUTSIDE DIAMETER D	CARRIER PIPE WALL THICKNESS (IN.)
1				
2				



**DUCKETT CREEK SANITARY DISTRICT**  
 AERIAL CROSSING CONCRETE COLLAR  
 DETAIL  
 Scale: BSM, MDOB  
 App: KLA  
 Date: 1-9-01  
 Sheet No. 30D

PROJECT TITLE  
**OAKHURST**  
 O'FALLON, MISSOURI

**THE STERLING CO.**  
 ENGINEERS & SURVEYORS  
 5055 New Baumgartner Road  
 St. Louis, Missouri 63129  
 Ph 314-487-0440 Fax 314-487-8944  
 www.sterling-eng-sur.com  
 Corporate Certificate of Authority #001348

The Professional Engineer's seal and signature affixed to this sheet, together with the seal and signature of the drafter, are hereby submitted in full and complete satisfaction of the requirements of the Missouri Professional Engineer Act, Chapter 320, R.S.Mo., and the drafter expressly disclaims any and all responsibility for such plans, drawings or documents not exhibiting the seal and signature.  
  
 Date:  
 Michael G. Boering  
 License No. MO E-28643  
 Civil Engineer

**LOMBARDO HOMES**  
 2299 Technology Drive  
 O'Fallon, Missouri 63368  
 Ph. 636-265-2710

P+Z No. 207.02  
 City No.  
 Date: July 22, 2013  
 Job No. 12-10-284  
 Page No.

**DTL-8**  
 IMP