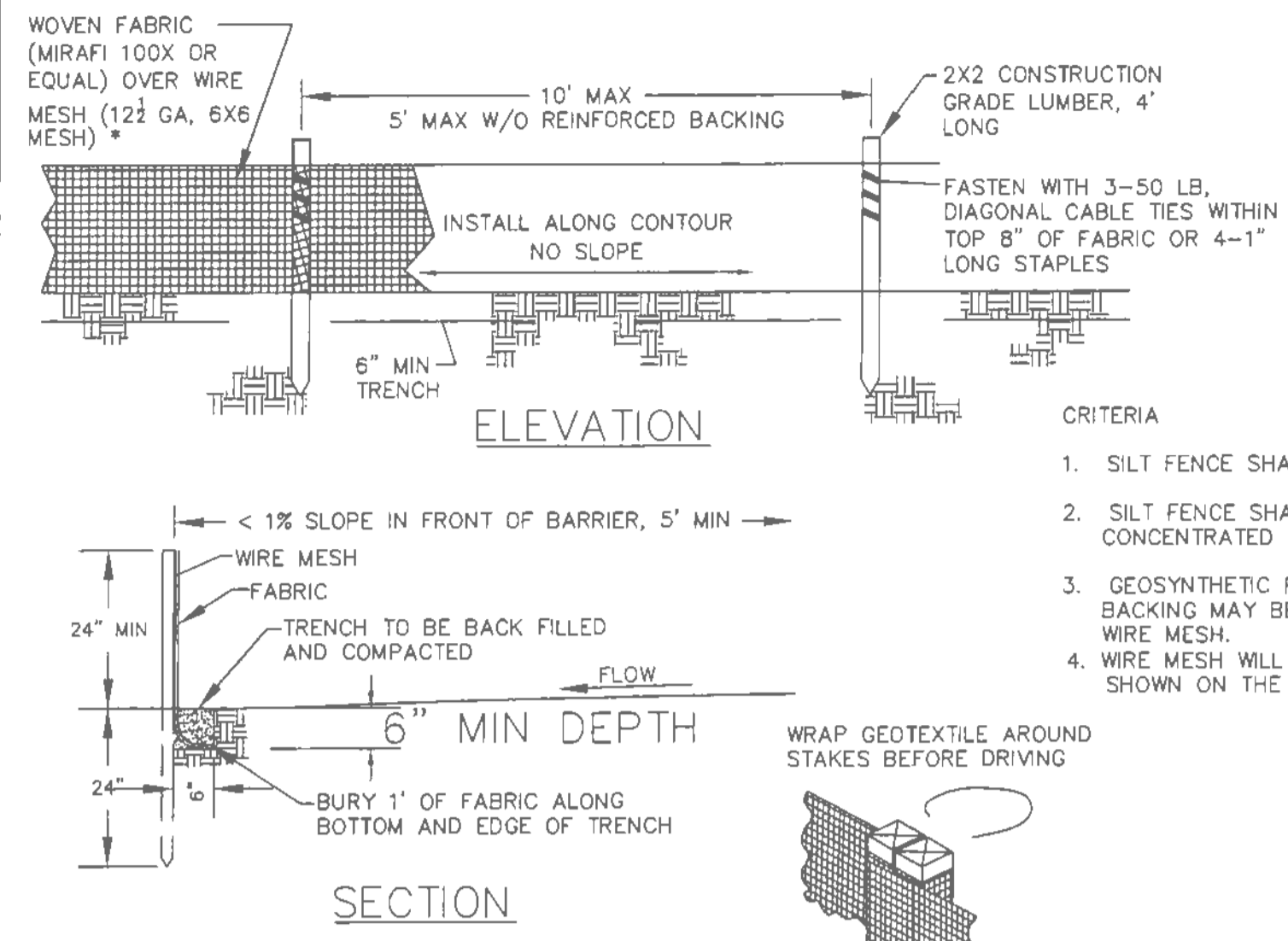


DESIGN CRITERIA

- SILT FENCE FOR SHEET FLOW SHALL HAVE A MAXIMUM DRAINAGE AREA OF 1/4 ACRE PER 100 LF.
- STRAW BALE BARRIERS FOR SHEET FLOW SHALL HAVE A MAXIMUM DRAINAGE AREA OF 1/4 ACRE PER 100 LF.
- REFER TO INDIVIDUAL ESC FIGURE FOR INSTALLATION.
- TERRACING INCLUDES LOGS, WATTLES & FILTER SOCKS.

SPACING CHART FOR ESC DEVICES

CITY OF O'FALLON
ENGINEERING DEPARTMENT
O'FALLON, MISSOURI



ELEVATION

SECTION

JOINING SECTIONS OF SILT FENCE

NOTE: IF FABRIC IS INSTALLED BY EQUIPMENT DESIGNED TO SLICE INTO THE GROUND, THE TRENCH IS NOT REQ'D.

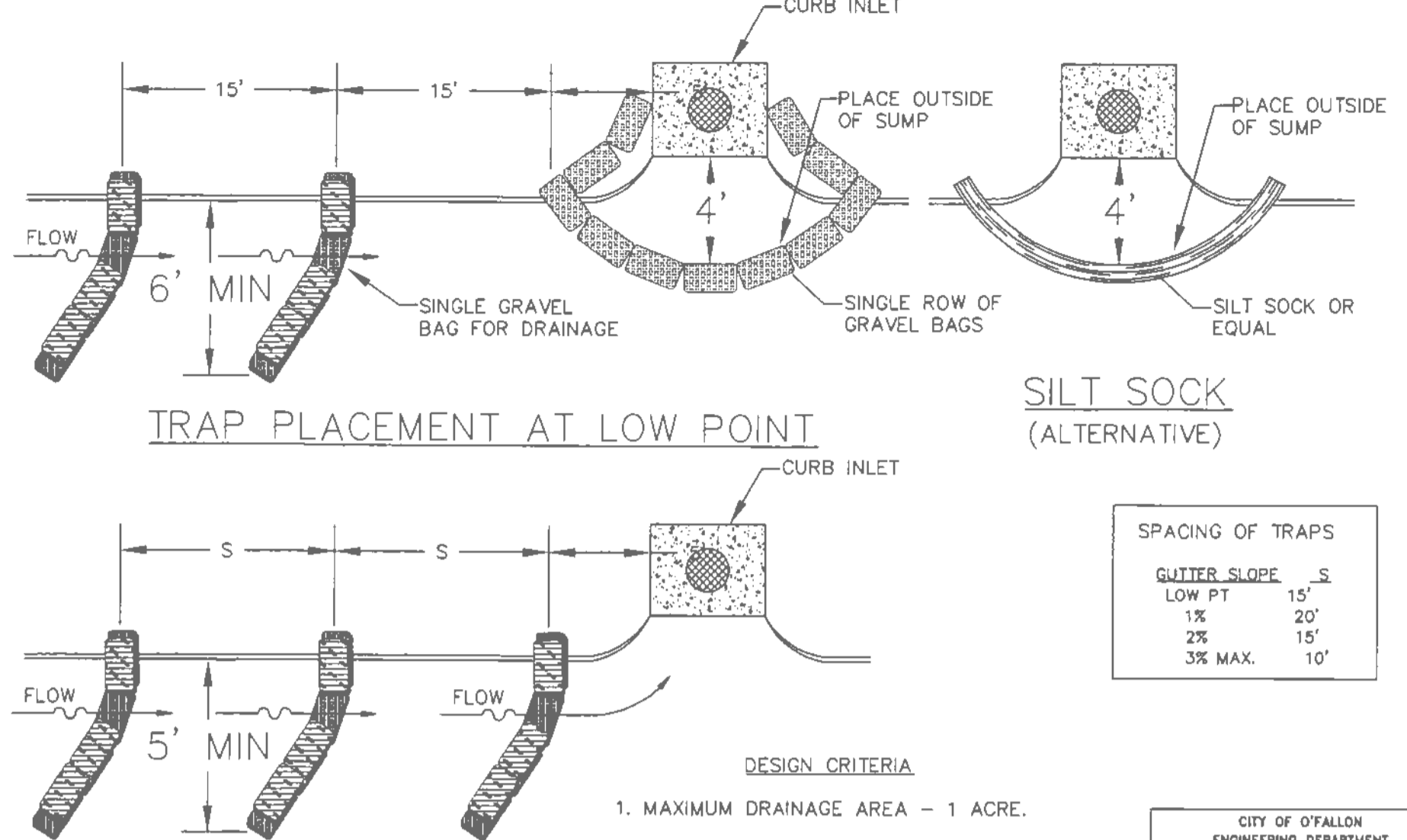
CITY OF O'FALLON
ENGINEERING DEPARTMENT
O'FALLON, MISSOURI

CRITERIA

- SILT FENCE SHALL BE 24 INCHES HIGH.
- SILT FENCE SHALL NOT BE USED FOR CONCENTRATED FLOWS.
- GEOSYNTHETIC REINFORCED SILT FENCE BACKING MAY BE USED IN LIEU OF WIRE MESH.
- WIRE MESH WILL BE USED AT LOCATIONS SHOWN ON THE APPROVED SWPPP.

SILT FENCE INSTALLATION SHEET FLOW (ONLY)

CITY OF O'FALLON
ENGINEERING DEPARTMENT
O'FALLON, MISSOURI



TRAP PLACEMENT AT LOW POINT

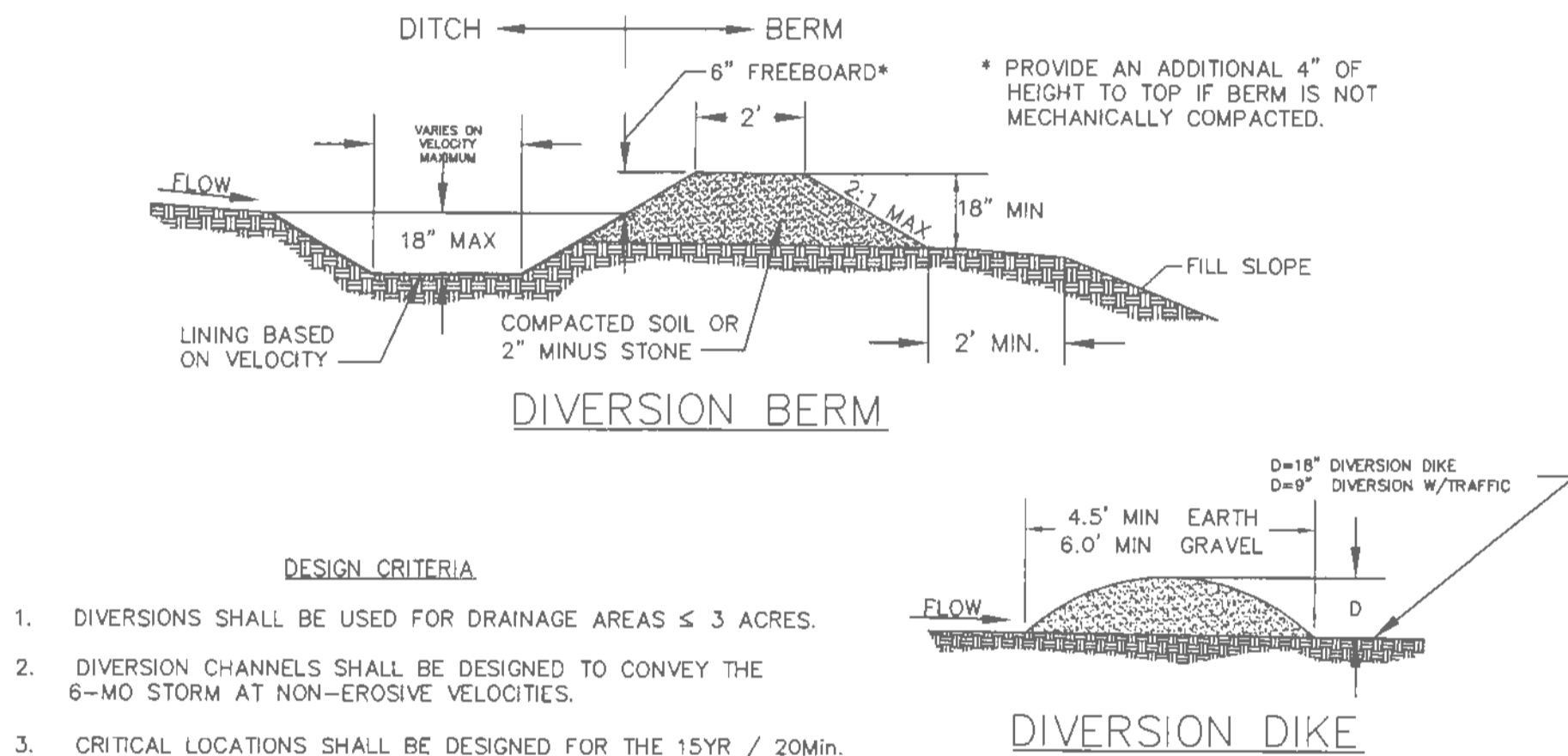
TRAP PLACEMENT AT INTERMEDIATE INLET

DESIGN CRITERIA

- MAXIMUM DRAINAGE AREA - 1 ACRE.
- PEAK RUNOFF SHALL BE ≤ 2 CFS BASED ON THE 6-MONTH STORM.
- STACK GRAVEL BAGS DOUBLE HIGH. PROVIDE GAP FOR DRAINAGE.

CURB INLET PROTECTION

CITY OF O'FALLON
ENGINEERING DEPARTMENT
O'FALLON, MISSOURI

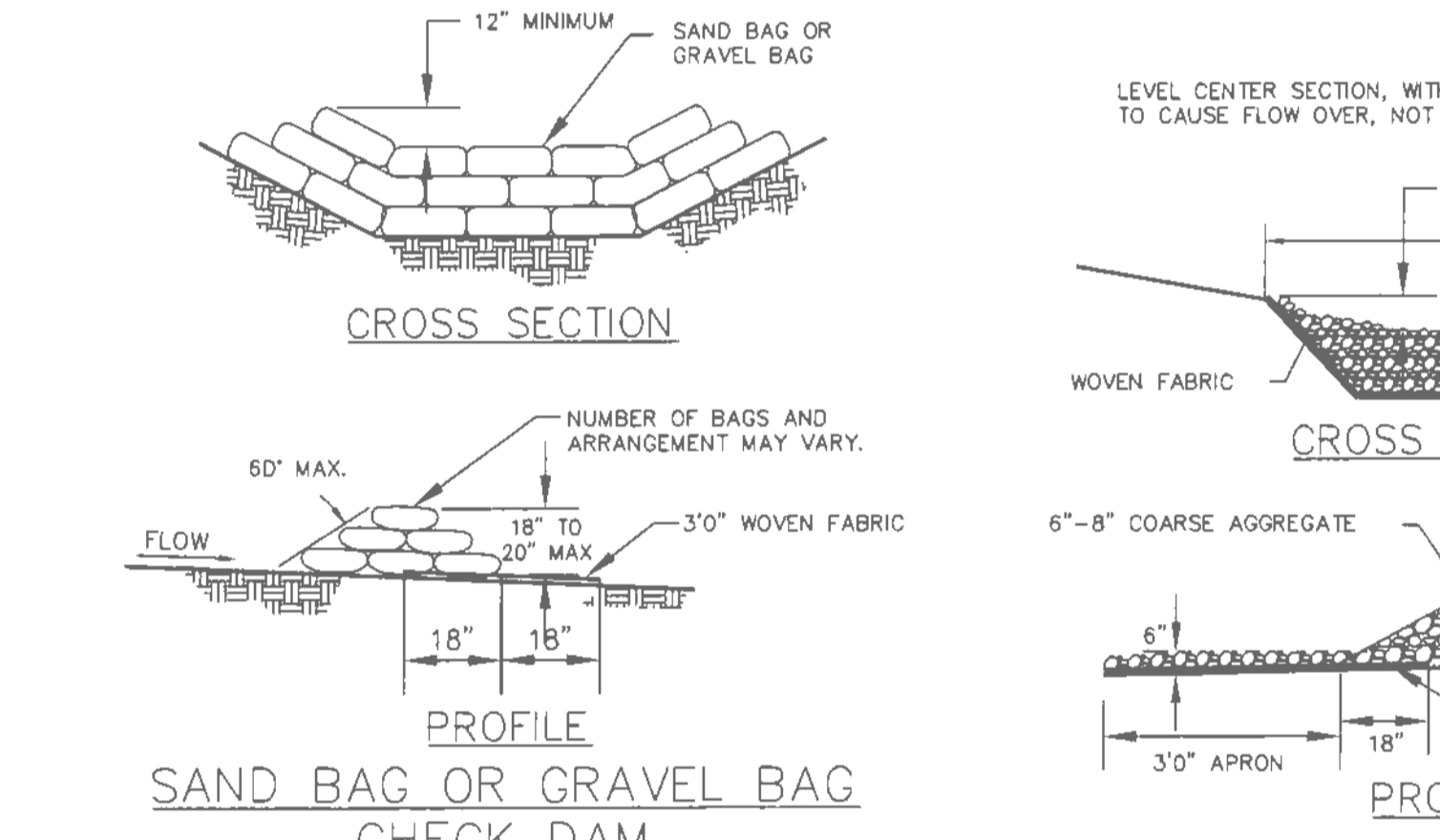


DESIGN CRITERIA

- DIVERSIONS SHALL BE USED FOR DRAINAGE AREAS ≤ 3 ACRES.
- DIVERSION CHANNELS SHALL BE DESIGNED TO CONVEY THE 6-MO STORM AT NON-EROSIVE VELOCITIES.
- CRITICAL LOCATIONS SHALL BE DESIGNED FOR THE 15YR / 20MIN. STORM.
- MAXIMUM CHANNEL SLOPE OF 3% WITHOUT CHECK DAMS.
- SWALE SEDIMENT TRAPS ARE TO BE USED IN HIGHLY EROSION AREAS.
- CHANNELS SHALL BE PROTECTED USING APPROPRIATE CHANNEL LINERS.
- CHANNEL OUTLETS MUST BE STABILIZED.
- STORM SEWERS MAY BE USED IN LIEU OF OPEN CHANNELS.

DIVERSION BERMS + DIKES

CITY OF O'FALLON
ENGINEERING DEPARTMENT
O'FALLON, MISSOURI



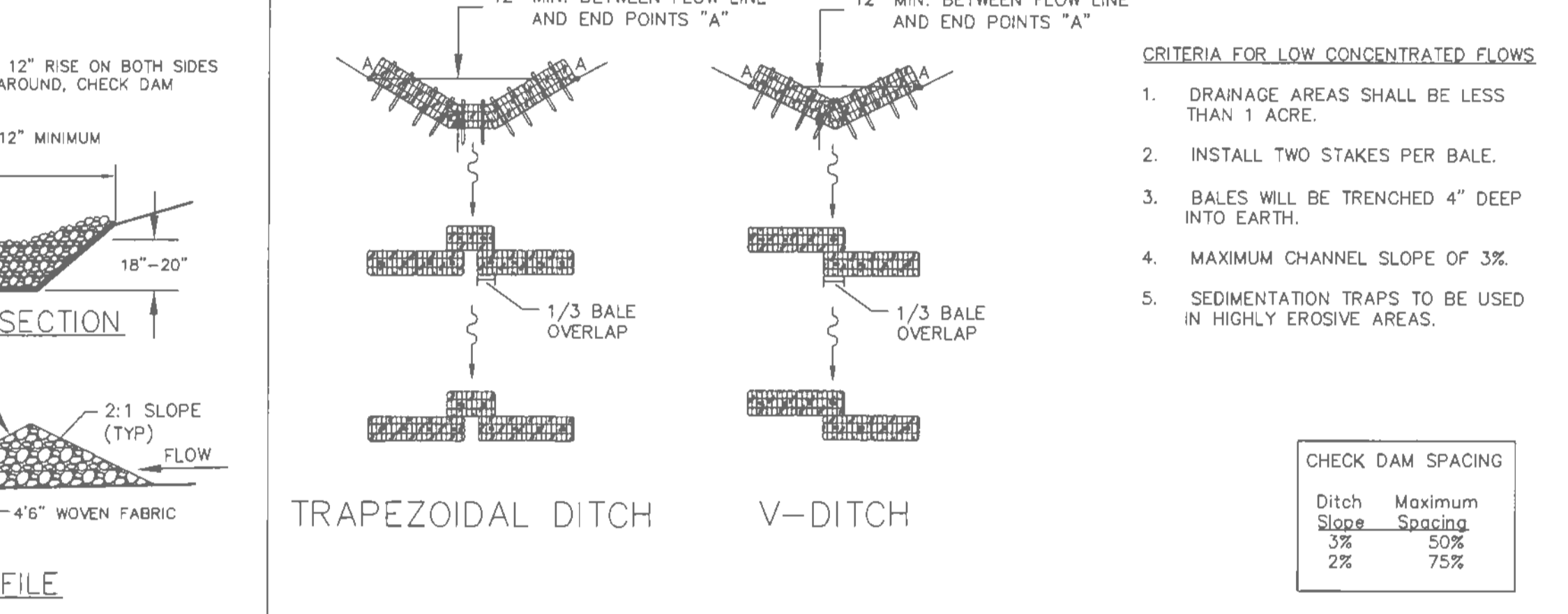
CROSS SECTION

PROFILE

SAND BAG OR GRAVEL BAG CHECK DAM

NOTE: 1. CHECK DAMS MAY BE CONSTRUCTED OF SEVERAL ESC CHECK DAM PRODUCTS.
2. SEE TABLE 60-12 AND ESC 1 FOR CHECK DAM SPACING.

CITY OF O'FALLON
ENGINEERING DEPARTMENT
O'FALLON, MISSOURI



CROSS SECTION

PROFILE

ROCK CHECK DAM

TRAPEZOIDAL DITCH

V-DITCH

DITCH PROFILE

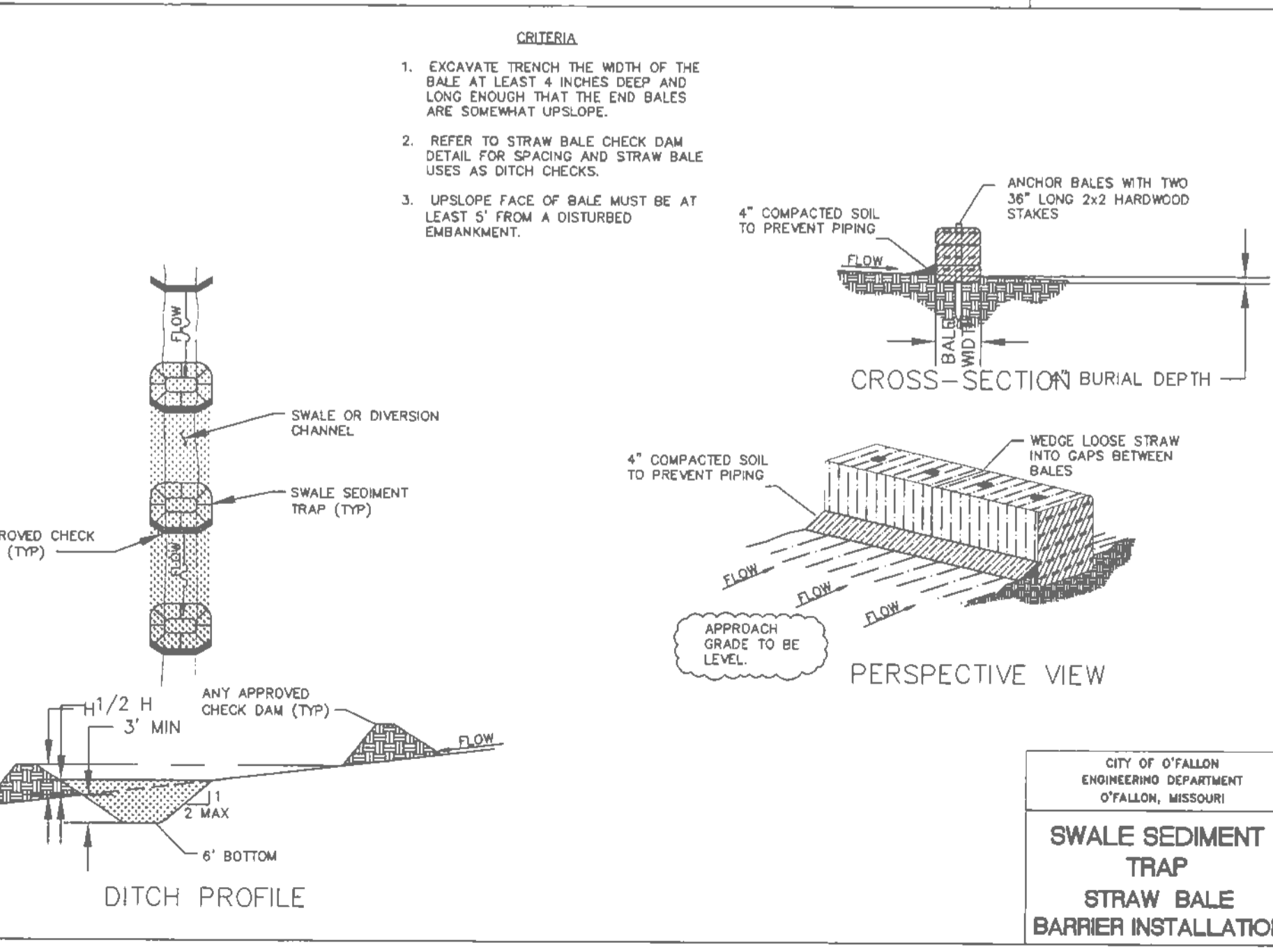
CRITERIA FOR LOW CONCENTRATED FLOWS

- DRAINAGE AREAS SHALL BE LESS THAN 1 ACRE.
- INSTALL TWO STAKES PER BALE.
- BALES WILL BE TRENCHED 4" DEEP INTO EARTH.
- MAXIMUM CHANNEL SLOPE OF 3%.
- SEDIMENTATION TRAPS TO BE USED IN HIGHLY EROSION AREAS.

CHECK DAM SPACING

Ditch Slope	Maximum Spacing
3%	50%
2%	75%

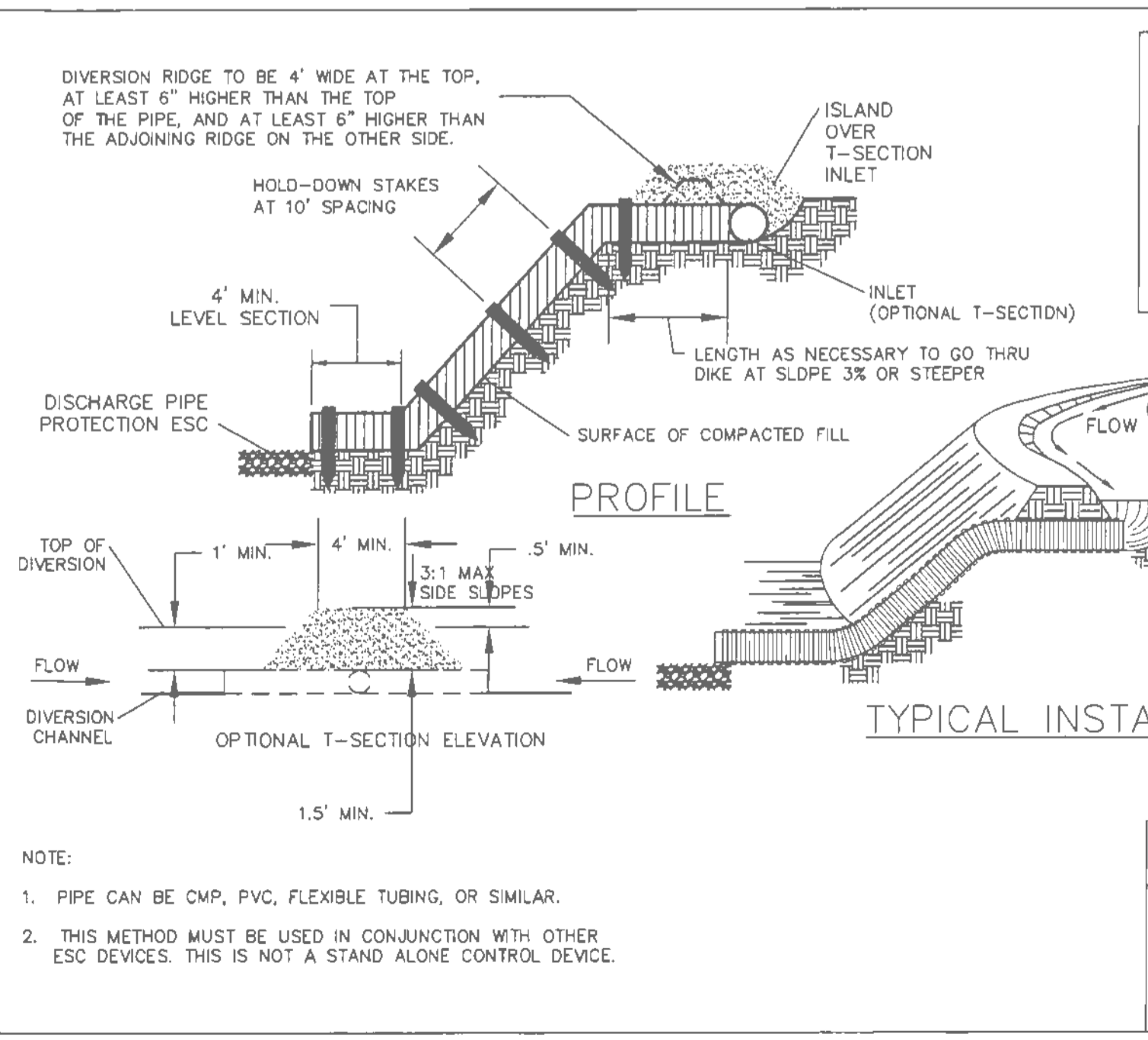
CITY OF O'FALLON
ENGINEERING DEPARTMENT
O'FALLON, MISSOURI



SWALE SEDIMENT TRAP

DITCH PROFILE

CITY OF O'FALLON
ENGINEERING DEPARTMENT
O'FALLON, MISSOURI

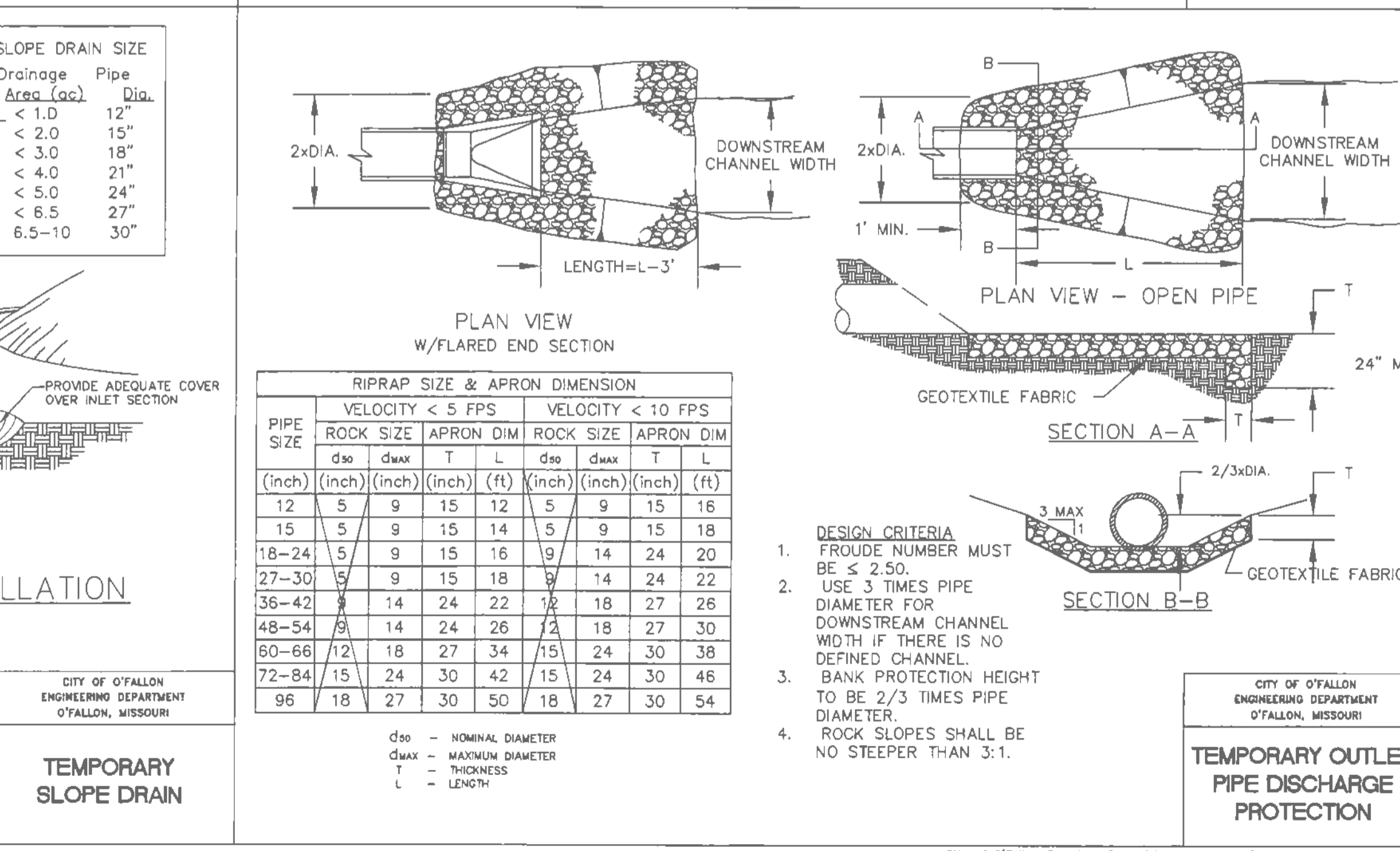


TEMPORARY SLOPE DRAIN

NOTE:

- PIPE CAN BE CMP, PVC, FLEXIBLE TUBING, OR SIMILAR.
- THIS METHOD MUST BE USED IN CONJUNCTION WITH OTHER ESC DEVICES. THIS IS NOT A STAND ALONE CONTROL DEVICE.

CITY OF O'FALLON
ENGINEERING DEPARTMENT
O'FALLON, MISSOURI



TEMPORARY OUTLET PIPE DISCHARGE PROTECTION

DESIGN CRITERIA

- FROUDE NUMBER MUST BE ≤ 2.50.
- USE 3 TIMES PIPE DIAMETER FOR DOWNSTREAM CHANNEL WIDTH IF THERE IS NO DEFINED CHANNEL.
- BANK PROTECTION HEIGHT TO BE 2/3 TIMES PIPE DIAMETER.
- ROCK SLOPES SHALL BE NO STEEPER THAN 3:1.

CITY OF O'FALLON
ENGINEERING DEPARTMENT
O'FALLON, MISSOURI

ISSUE REMARKS/DATE

1	6-21-2013	City Comments
2	7-05-2013	City Comments

PROJECT TITLE

OAKHURST

O'FALLON, MISSOURI

THE STERLING CO.

ENGINEERS & SURVEYORS

5065 New Baumgartner Road
O'Fallon, MO 63368
Ph 314-487-0040 Fax 314-487-8944
www.sterling-eng-survey.com
Corporate Certificate of Authority #001348

The Professional Engineer's seal and signature are required for all sheet updates only in the material and time shown on this sheet. All printed information on other sheets is not subject to this seal and signature and shall not be considered as part of the project. The engineer hereby certifies that he is the author of the work shown on this sheet and that he is duly licensed to practice as a Professional Engineer in the State of Missouri.

Michael G. Bording

Professional Engineer
E-28943

Date: 7/24/2013
Michael G. Bording
License No. MO E-28643
Civil Engineer

LOMBARDO HOMES

2299 Technology Drive
O'Fallon, Missouri 63368
Ph: 636-265-2710

EROSION CONTROL DETAILS

P+Z No. 207.02
City No.
Date: April 29, 2013
Job No. 12-10-284
Page No.

3.1

GP