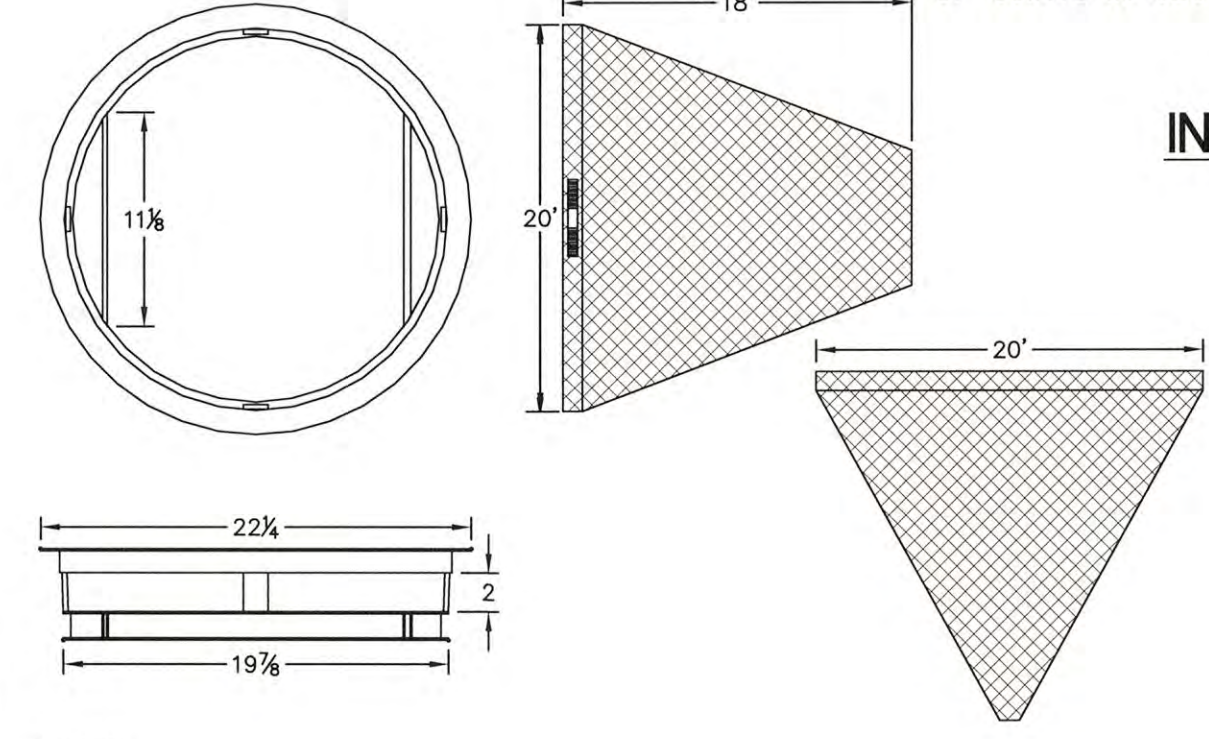


- NOTES:
1. STONE SIZE - MODOT COARSE AGGREGATE GRADATIONS: TYPE 1 OR 5.
 2. THICKNESS - NOT LESS THAN EIGHT (8) INCHES.
 3. FILTER FABRIC - SHALL BE PLACED OVER THE ENTIRE AREA PRIOR TO PLACING OF STONE. GEOTEXTILE FABRIC SHALL MEET THE REQUIREMENTS OF MATERIAL CLASS PER THE ST. CHARLES COUNTY SOIL AND WATER CONSERVATION DISTRICT.
 4. STONE PLACEMENT - THE STONES IN THE ENTRANCE SHALL BE PLACED ACCORDING TO THE ST. CHARLES COUNTY SOIL AND WATER CONSERVATION DISTRICT.
 5. MAINTENANCE - THE ENTRANCE SHALL BE MAINTAINED IN A CONDITION WHICH WILL PREVENT TRACKING OR FLOWING OF SEDIMENT ONTO PUBLIC RIGHT-OF-WAY. THIS MAY REQUIRE PERIODIC TOP DRESSING WITH ADDITIONAL STONE AS CONDITIONS DEMAND AND REPAIR AND/OR CLEANOUT OF ANY MEASURES USED TO TRAP SEDIMENT. ALL SEDIMENT SPILLED, DROPPED, WASHED OR TRACKED ONTO PUBLIC RIGHT-OF-WAY MUST BE REMOVED IMMEDIATELY.
 6. WASHING - WHEELS SHALL BE CLEANED TO REMOVE SEDIMENT PRIOR TO ENTRANCE ONTO PUBLIC RIGHT-OF-WAY. WHEN WASHING IS REQUIRED, IT SHALL BE DONE ON AN AREA STABILIZED WITH STONE AND WHICH DRAINS INTO AN APPROVED SEDIMENT TRAPPING DEVICE. ALL SEDIMENT SHALL BE PREVENTED FROM ENTERING STORM DRAINS, DITCHES, WATERCOURSES, OR SURFACE WATERS INCLUDING WETLANDS.
 7. PERIODIC INSPECTION AND NEEDED MAINTENANCE SHALL BE PROVIDED AFTER EACH RAIN.

STABILIZED CONSTRUCTION ENTRANCE



INLET PROTECTION

- NOTES:
1. FENCE POSTS SHALL BE EITHER STANDARD STEEL POST OR WOOD POST WITH A MINIMUM CROSS-SECTIONAL AREA OF 3.0 SQ. IN.
 2. STEEL POSTS SHALL BE STANDARD T AND U SECTIONS WEIGHING NOT LESS THAN 1.33 POUNDS PER LINEAR FOOT OR OTHER STEEL POSTS HAVING EQUIVALENT STRENGTH AND BENDING RESISTANCE.
 3. GEOTEXTILE FABRIC SHALL MEET THE REQUIREMENTS OF MATERIAL SPECIFICATION 592 (GEOTEXTILE) TABLE 1 OR 2, CLASS I IN THE ILLINOIS URBAN MANUAL, CURRENT EDITION. THE FABRIC SHALL HAVE AN AOS OF AT LEAST 30 FOR NONWOVEN AND 50 FOR WOVEN MATERIAL.
 4. STAKES ARE TO BE PLACED A MAXIMUM OF 3 FEET APART.
 5. JOINTS IN GEOTEXTILE FABRIC ARE TO BE MADE AT STAKES.

INLET BASKET FILTER FOR INLETS

- NOTES:
1. TOP FLANGE FABRICATED FROM 1 1/4" x 1 1/4" x 1/8" ANGLE BASE RIM FABRICATED FROM 1 1/2" x 1/2" x 1/8" CHANNEL HANDLES AND SUSPENSION BRACKETS FABRICATED FROM 1 1/4" x 1/4" FLAT STOCK
 2. ALL DOMESTIC STEEL IS TO CONFORM TO ASTM-A36.
 3. SEDIMENT BAG IS TO BE FABRICATED FROM 4 OZ./SQ.YD. NON-WOVEN POLYPROPYLENE GEOTEXTILE REINFORCED WITH POLYESTER MESH WITH A MINIMUM FLOW RATE OF 145 GAL./MIN./SQ. FT. BAG IS TO BE DESIGNED FOR A MINIMUM SILT AND DEBRIS CAPACITY OF 2 CU. FT. BAG IS TO BE SECURED TO BASE RIM WITH A STAINLESS STEEL STRAP AND LOCK.

SOIL PROTECTION CHART

	JAN	FEB	MAR	APR	MAY	JUNE	JULY	AUG	SEP	OCT	NOV	DEC
PERMANENT SEEDING												
SODDING												
TEMPORARY SEEDING												
MULCHING												

- NOTES:
1. PERMANENT VEGETATION SHALL BE PLANTED ACCORDING TO THE APPROVED LANDSCAPE PLAN AND SHALL REFER TO THE ST. CHARLES COUNTY SOIL AND WATER CONSERVATION DISTRICT EROSION AND SEDIMENT CONTROL GUIDELINES AT A MINIMUM.
 2. TEMPORARY SEEDING SHALL REFER TO THE ST. CHARLES COUNTY SOIL AND WATER CONSERVATION DISTRICT EROSION AND SEDIMENT CONTROL GUIDELINES. THIS PRACTICE APPLIES TO ALL CLEARED, UNVEGETATED, OR SPARSELY VEGETATED SOIL SURFACES WHERE VEGETATIVE COVER IS NEEDED FOR LESS THAN 1 YEAR.
 - A. WHERE THE PH OF THE SOIL IS BELOW 5.5, APPLY ONE AND ONE HALF TO TWO TONS PER ACRE OF FINELY GROUND AGRICULTURAL LIMESTONE. IF THE SEEDING PERIOD IS LESS THAN 30 DAYS, LIMING WILL NOT BE REQUIRED.
 - B. APPLY 500 POUNDS PER ACRE OF 10-10-10 FERTILIZER OR EQUIVALENT. INCORPORATE LIME AND FERTILIZER INTO THE TOP 2-4 INCHES OF SOIL IF THE SEEDING PERIOD IS LESS THAN 30 DAYS, FERTILIZER WILL NOT BE REQUIRED.
 - C. PREPARE A TOPSOIL SEEDBED OF LOOSE SOIL TO A DEPTH OF 3 TO 4 INCHES. IF RECENT TILLAGE OR GRADING OPERATIONS HAVE RESULTED IN A LOOSE SURFACE, ADDITIONAL TILLAGE OR ROUGHENING MAY NOT BE REQUIRED EXCEPT TO BREAK UP LARGE CLODS. IF RAINFALL CAUSED THE SURFACE TO BECOME SEALED OR CRUSTED, LOOSEN IT JUST PRIOR TO SEEDING BY DISKING, RAKING, HARROWING, OR OTHER SUITABLE METHODS. GROVE OR FURROW SLOPES STEEPER THAN 3:1 ON THE CONTOUR BEFORE SEEDING.
 - D. SEED SHALL BE EVENLY APPLIED WITH A CYCLONE SEEDER, DRILL, CULTIPACKER SEEDER OR HYDROSEEDER. SMALL GRAINS SHALL BE PLANTED NO MORE THAN ONE INCH DEEP. GRASSES SHALL BE PLANTED NO MORE THAN ONE HALF INCH DEEP.
 - E. COVER BROADCAST SEEDINGS BY CULTIPACKING, DRAGGING A HARROW, OR RAKING.
 - F. OATS SHALL BE APPLIED AT 90 LBS PER ACRE AND SHALL ONLY BE APPLIED EARLY SPRING TO JULY 1.
 - G. CEREAL RYE SHALL BE APPLIED AT 90 LBS PER ACRE AND SHALL ONLY BE APPLIED EARLY SPRING TO SEPTEMBER 30.
 - H. WHEAT SHALL BE APPLIED AT 90 LBS PER ACRE AND SHALL ONLY BE APPLIED EARLY SPRING TO SEPTEMBER 30.
 - I. PERENNIAL RYE GRASS SHALL BE APPLIED AT 25 LBS PER ACRE AND SHALL ONLY BE APPLIED EARLY SPRING TO SEPTEMBER 30.
 3. TEMPORARY MULCHES ARE TO BE APPLIED TO:
 - A. AREAS THAT HAVE BEEN SEEDING TO PROVIDE A TEMPORARY OR PERMANENT SEEDING;
 - B. AREAS THAT CANNOT BE SEEDING BECAUSE OF THE SEASON OF THE YEAR AND NEED FOR SOIL SURFACE PROTECTION;
 - C. FOR MUD AND DUST CONTROL;
 - D. PROVIDE PROTECTION DURING PERIODS WHEN CONSTRUCTION OR SEEDING CANNOT BE DONE; AND SHALL BE CONSTRUCTED ACCORDING TO THE ST. CHARLES COUNTY SOIL AND WATER CONSERVATION DISTRICT.

Post Construction BMP Maintenance Schedule

The stormwater facilities and best management practice measures will be maintained by the owner of the property on an as needed basis. See plans for additional details and specifications. The following is the recommended schedule for each task:

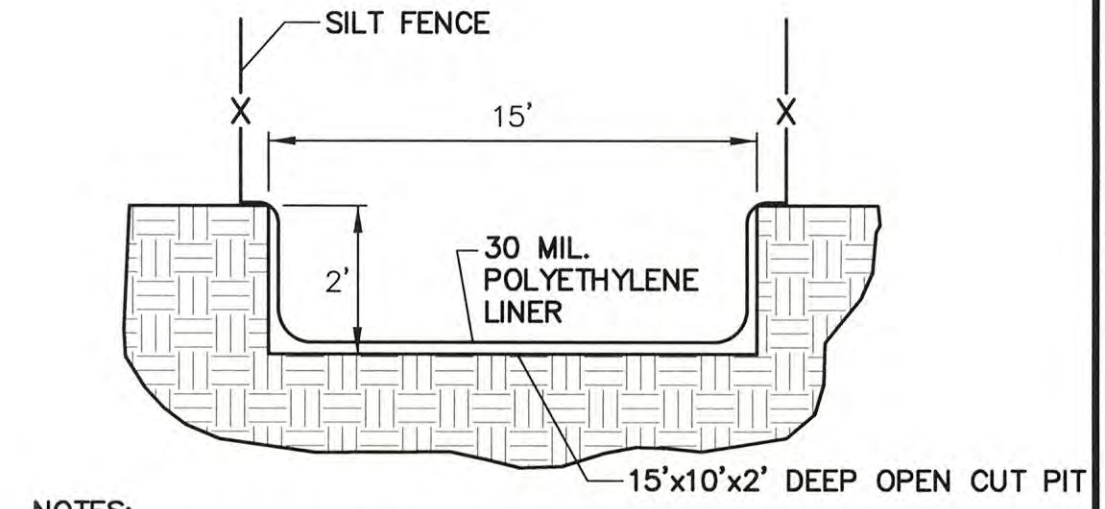
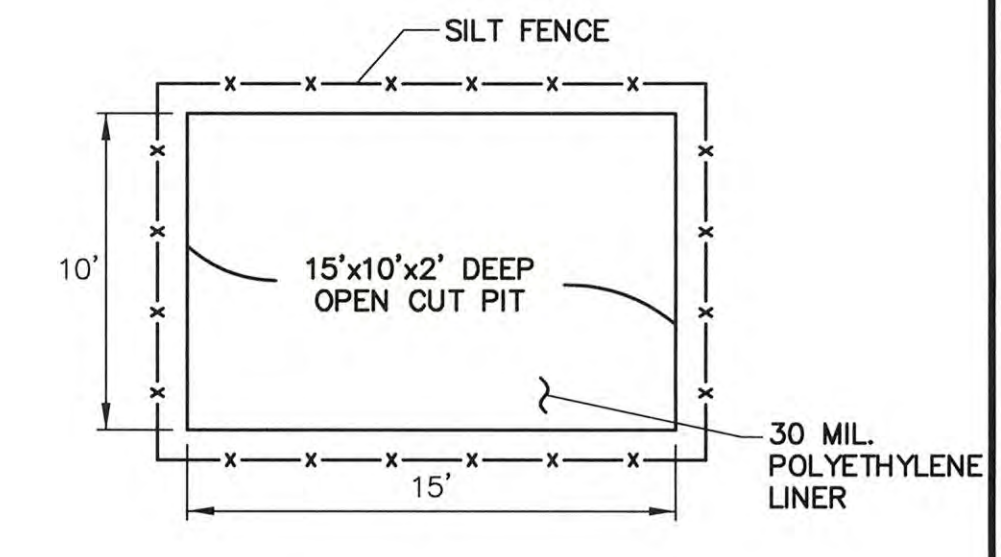
Task:	J	F	M	A	M	J	J	A	S	O	N	D
Clean and inspect underground storm sewer system				X							X	
Inspect and repair erosion control areas				X							X	
Mow Landscape Areas (2 times per month, min.)				X	X	X	X	X	X	X		
Maintain and clean storm sewers				X							X	
Sweep pavement areas				X								
Inspect and repair erosion control areas				X							X	
Clean and inspect CDS water quality structure											X	

PHASE I CONSTRUCTION SEQUENCE:

1. INSTALL STABILIZED CONSTRUCTION ENTRANCE.
2. PREPARE TEMPORARY PARKING AND STORAGE AREA.
3. CONSTRUCT THE SILT FENCES ON THE SITE.
4. INSTALL INLET PROTECTION AROUND ALL EXISTING STORM SEWER STRUCTURES.
5. HOLD PRE-CONSTRUCTION MEETING TO DISCUSS THE STORM WATER POLLUTION PLAN WITH ENGINEER, ALL CONTRACTORS AND JURISDICTIONAL INSPECTION AGENCIES.
6. CLEAR AND GRUB THE SITE.
7. START CONSTRUCTION OF BUILDING PAD AND STRUCTURES.
8. BEGIN MASS GRADING OPERATIONS FOR THE SITE.

PHASE II CONSTRUCTION SEQUENCE:

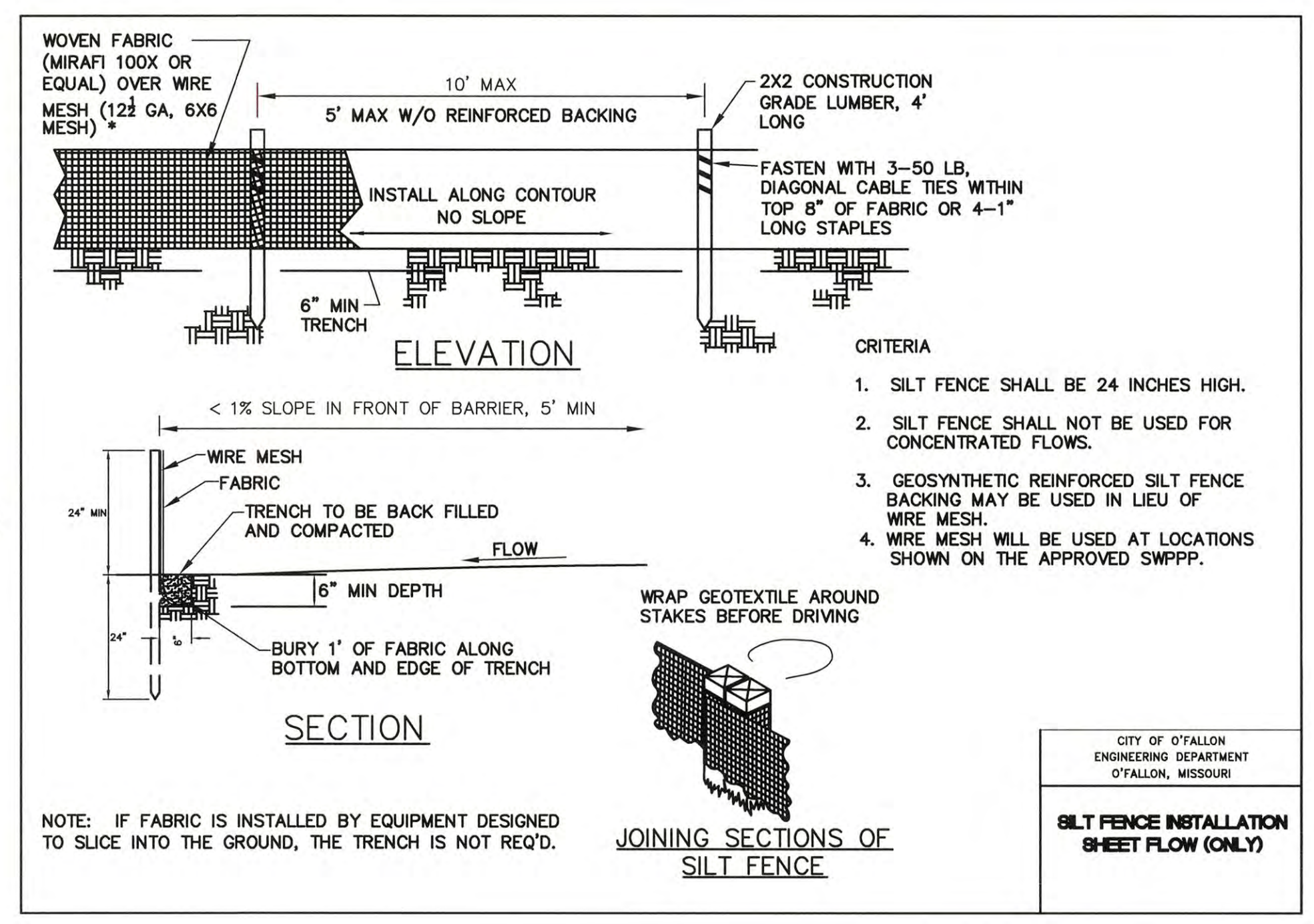
1. TEMPORARILY SEED DENUDEED AREAS.
2. INSTALL UTILITIES, UNDERDRAINS, STORM SEWERS, CURBS AND GUTTERS.
3. INSTALL INLET PROTECTION AROUND ALL STORM SEWER STRUCTURES.
4. PREPARE SITE FOR PAVING.
5. PAVE SITE.
6. INSTALL INLET PROTECTION DEVICES.
7. COMPLETE GRADING AND INSTALL PERMANENT SEEDING AND PLANTING.
8. REMOVE ALL TEMPORARY EROSION AND SEDIMENT CONTROL DEVICES (ONLY IF SITE IS STABILIZED).



- NOTES:
- 1) OPTIONAL USE OF A PORTABLE CONCRETE WASHOUT CONTAINER IS ACCEPTABLE WITH 30 MIL. POLYETHYLENE LINER.
 - 2) CONCRETE WASHOUT SHOULD BE CONTAINED AT ALL TIMES. WASHOUT MATERIAL SHOULD NOT BE ALLOWED TO ENTER WATER BODIES, STORM SEWERS OR LEACH INTO THE SOIL UNDER ANY CIRCUMSTANCES. ANY WASTE SHOULD BE DISPOSED OF PROPERLY AND THE LOCATION OF THE WASHOUT SHOULD BE DESIGNATED WITH PROPER SIGNAGE. FAILURE TO COMPLY COULD RESULT IN AN INCIDENCE OF NONCOMPLIANCE (ION).

CONCRETE WASHOUT AREA DETAIL

SOIL EROSION CONTROL DETAILS AND SPECS



- CRITERIA
1. SILT FENCE SHALL BE 24 INCHES HIGH.
 2. SILT FENCE SHALL NOT BE USED FOR CONCENTRATED FLOWS.
 3. GEOSYNTHETIC REINFORCED SILT FENCE BACKING MAY BE USED IN LIEU OF WIRE MESH.
 4. WIRE MESH WILL BE USED AT LOCATIONS SHOWN ON THE APPROVED SWPPP.

CITY OF O'FALLON
ENGINEERING DEPARTMENT
O'FALLON, MISSOURI

SILT FENCE INSTALLATION SHEET FLOW (ONLY)

DATE: 5/25/19

REVISIONS: BID SET 6/10/19, PERMIT SET 6/13/19, PER CITY REVIEW 7/19/19

Prepared For:

DXU ARCHITECTS
412 South Wells, 2nd Floor
Chicago, IL 60607

OBERWEIS RESTAURANT
1816 Highway K
O'Fallon, St. Charles County, Missouri, 63366

Prepared By:

Watermark Engineering Resources, Ltd.

2631 Ginger Woods Parkway, Suite 100, Aurora, IL 60502
phone 630-375-1800 fax 630-236-9600 www.watermark-engineering.com

WATERMARK ENGINEERING RESOURCES, LTD.
MISSOURI STATE CERTIFICATE OF AUTHORITY #02060512

DATE: 7/19/19

JEFFREY C. MILLER
NUMBER PE-2016015595

EXP: 11/30/19

JEFFREY C. MILLER - ENGINEER
Moj 2016015595

CHECKED BY: J.MILLER
DESIGN BY: M.HANSEN
DRAWN BY: K.P., M.H.
DATE: MAY 23, 2019
SCALE:
PROJECT NO.: 18-085

C-9

SOIL EROSION CONTROL DETAILS AND SPECS