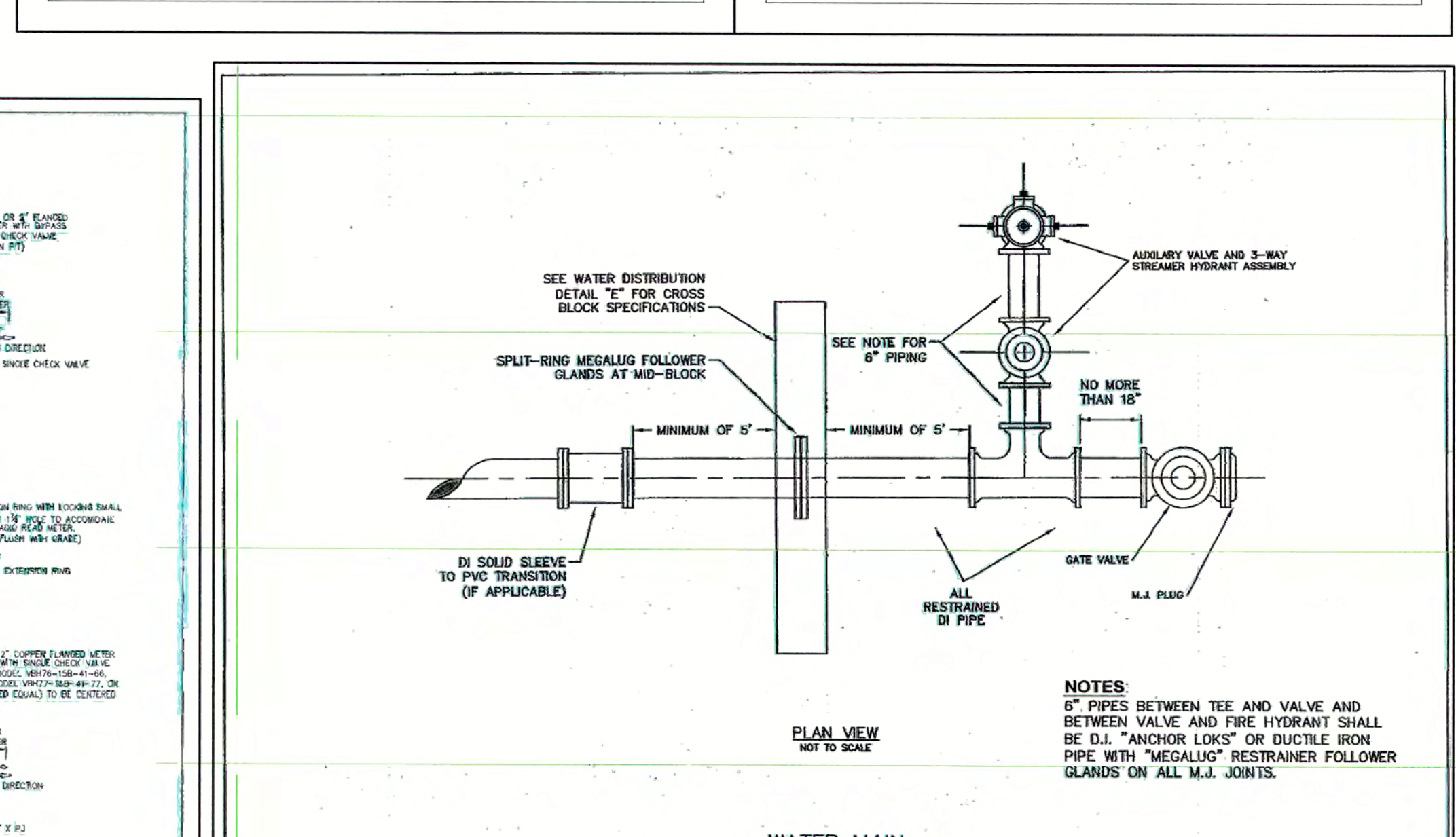
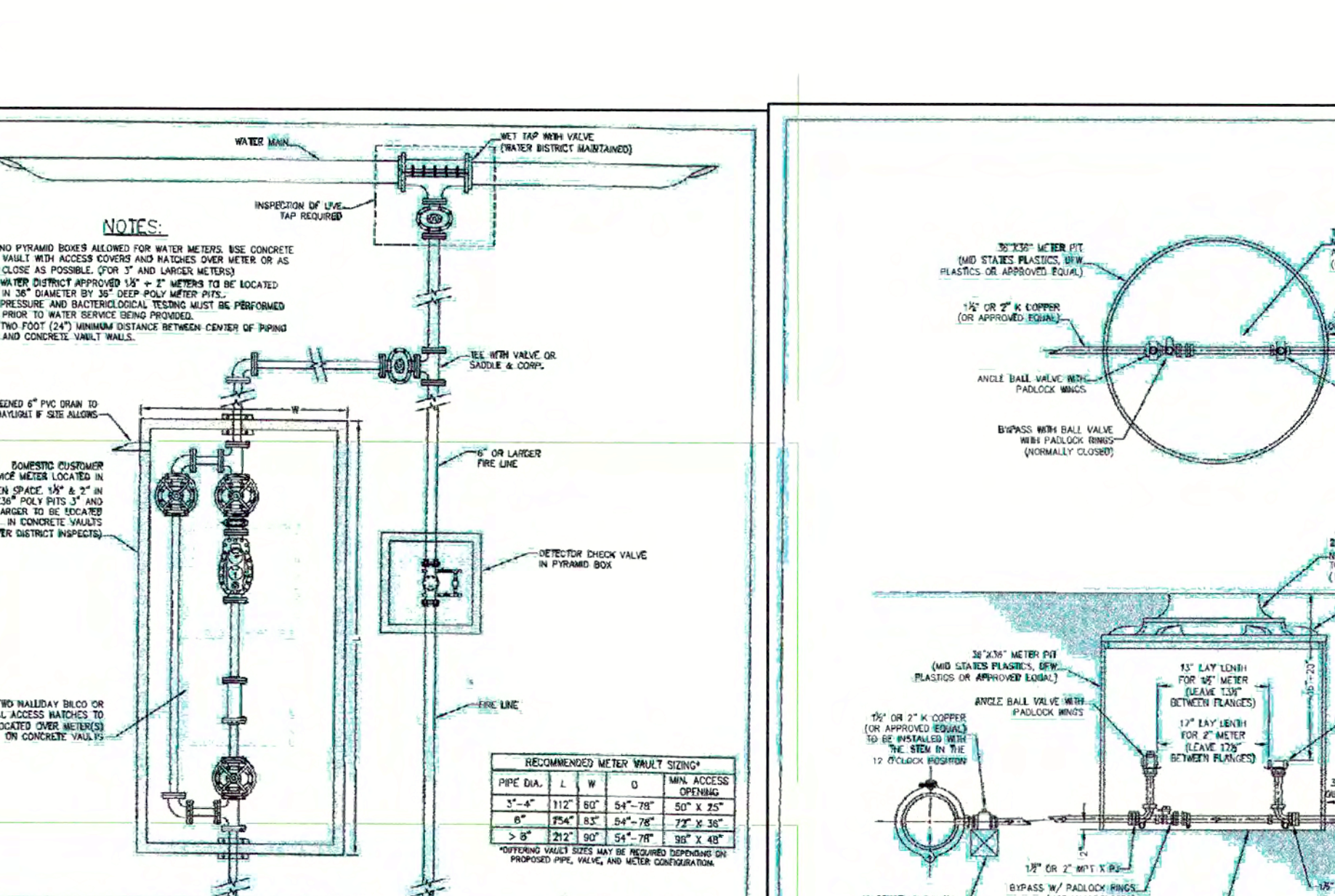
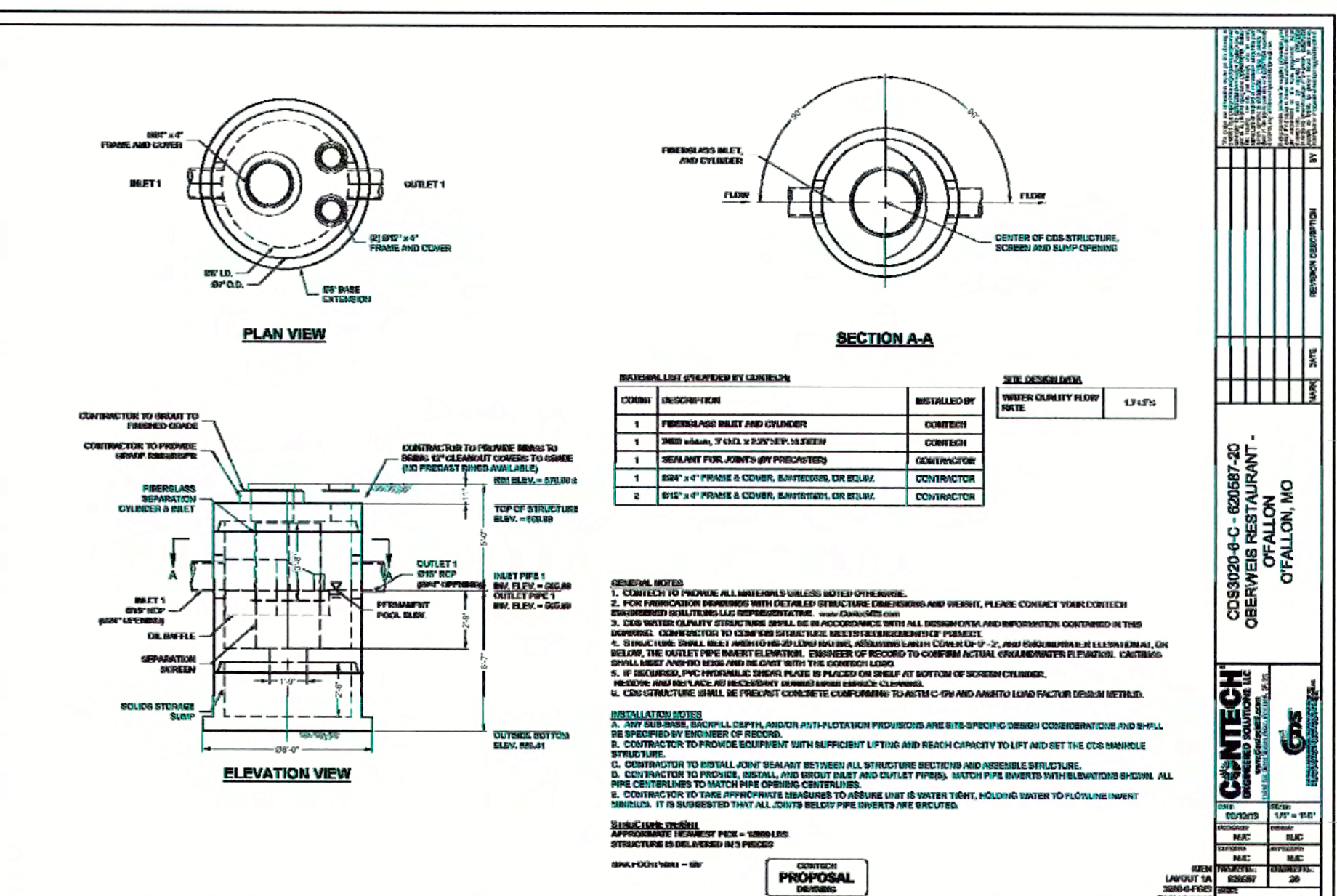
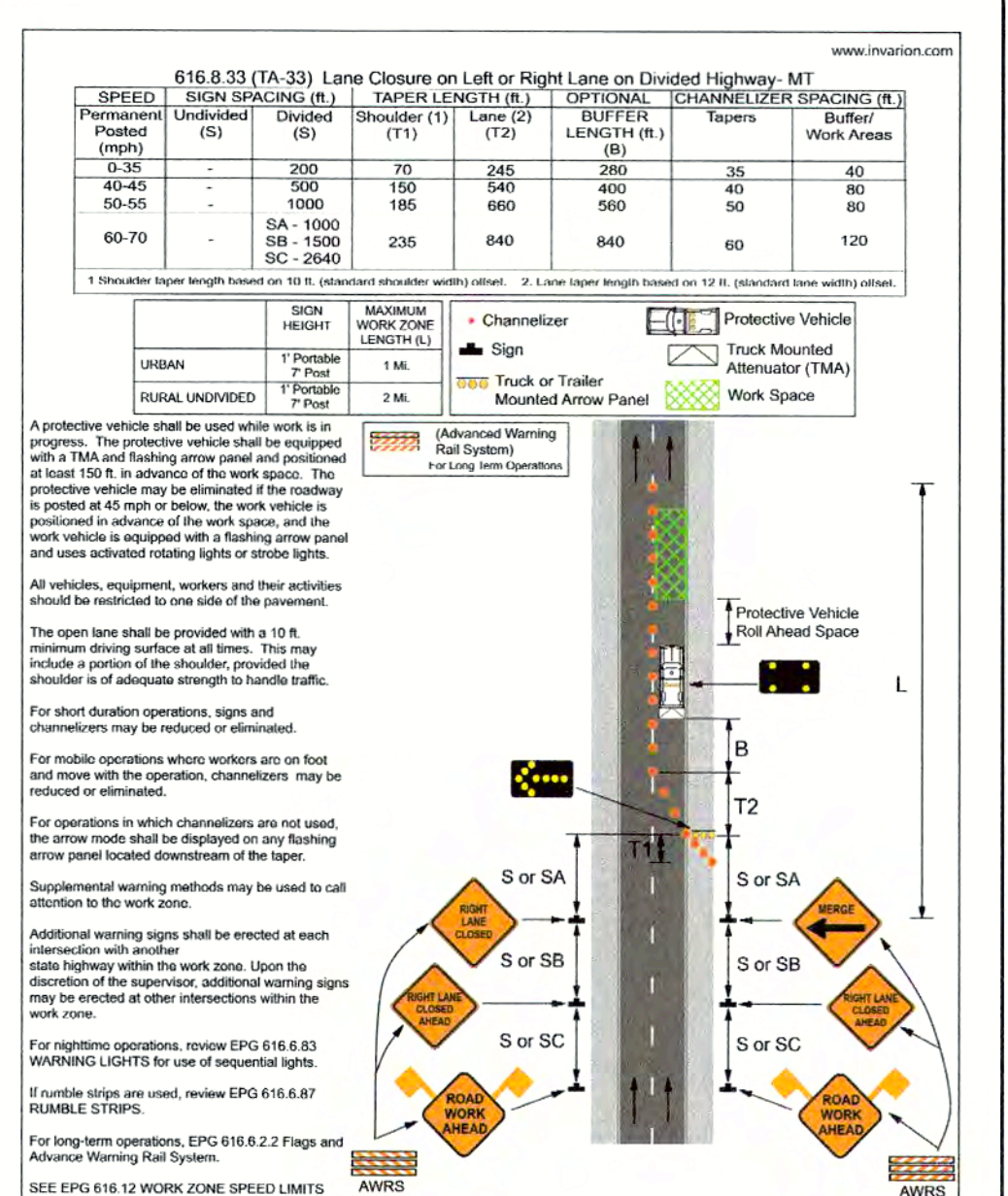


**616.5 (TA-5) Shoulder Work on Divided Highways - MT**

SPEED (mph)	SHOULDER SPACING (ft)	TAPER LENGTH (ft)	OPTIONAL BUFFER LENGTH (ft)	CHANNELIZER SPACING (ft)	CHAPERON TAPER WORK AREA
35-45	200	70	245	200	35
45-55	300	100	340	300	40
55-65	400	130	435	400	45
65-70	500	160	530	500	50



NO RECORD INFORMATION

PROJECT DETAILS #2

DATE: 5/23/19, 6/10/19, 6/13/19, 7/19/19, 11/22/19

REVISIONS: 1, 2, 3, 4, 5

NO. 1, 2, 3, 4, 5

PREPARED FOR: OBERWEIS RESTAURANT, 1816 Highway K, O'Fallon, St. Charles County, Missouri, 63366

Prepared By: **Watermark Engineering Resources, Ltd.**

2631 Ginger Woods Parkway, Suite 100, Aurora, IL 60502

phone 630-375-1800 fax 630-238-9800 www.watermark-engineering.com

WATERMARK ENGINEERING RESOURCES, LTD. MISSOURI STATE CERTIFICATE OF AUTHORITY #201601512

DATE: 05/23/2019

JEFFREY C. MILLER

NUMBER: PE-2016015595

EXP: 05/23/2024

CHECKED BY: J.MILLER

DESIGN BY: M.HANSEN

DRAWN BY: K.P., M.H.

DATE: MAY 23, 2019

SCALE:

PROJECT NO: 18-085

C-11