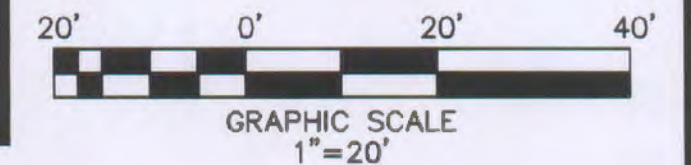
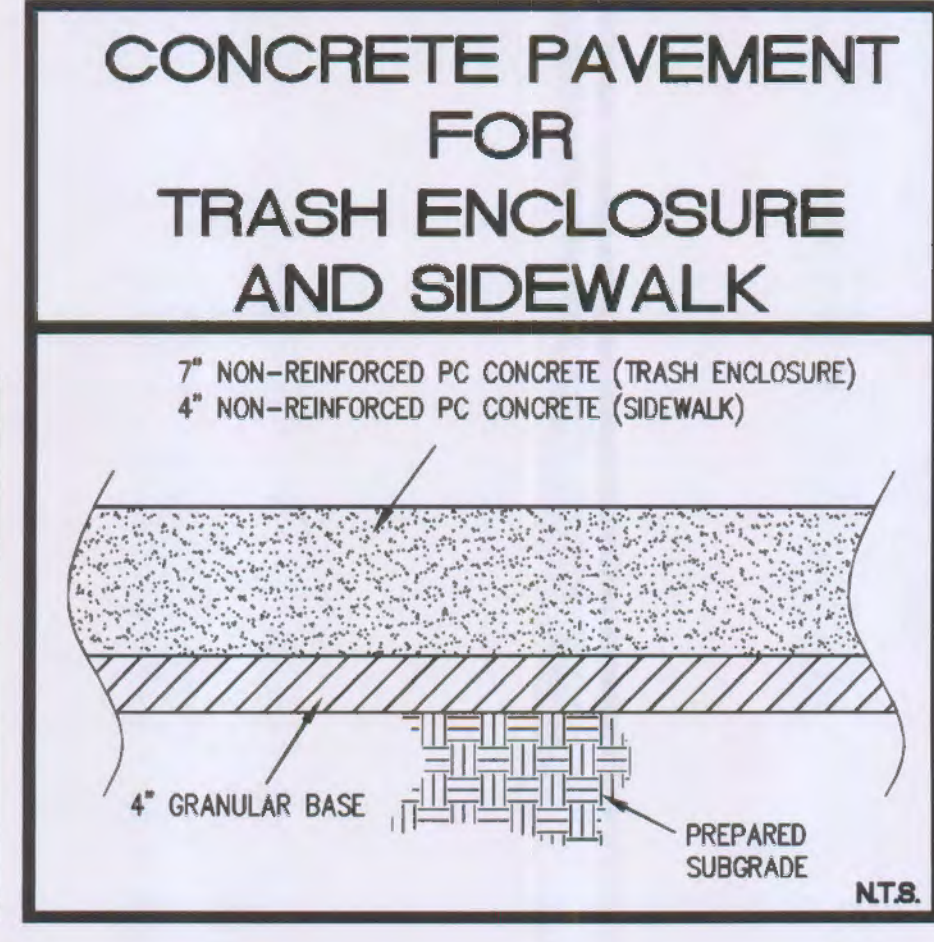
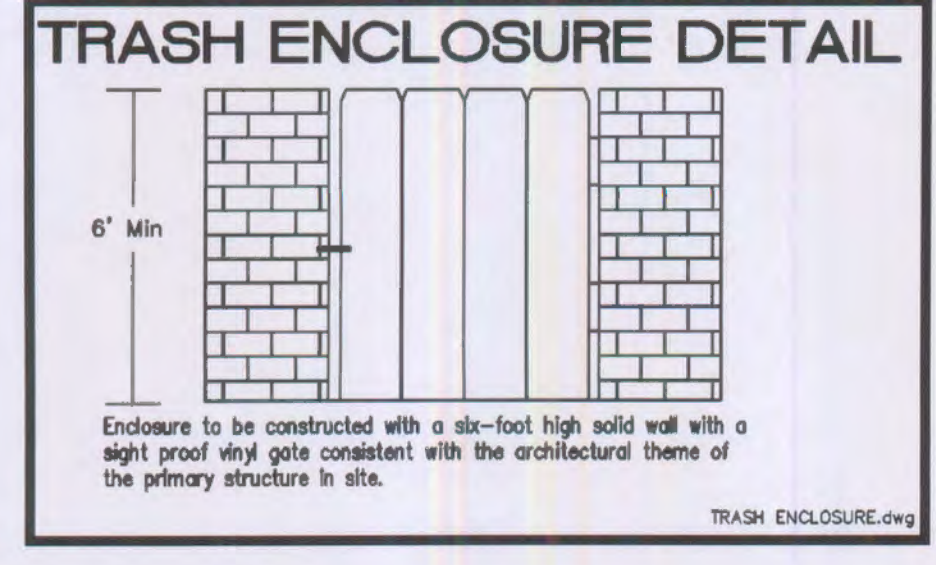
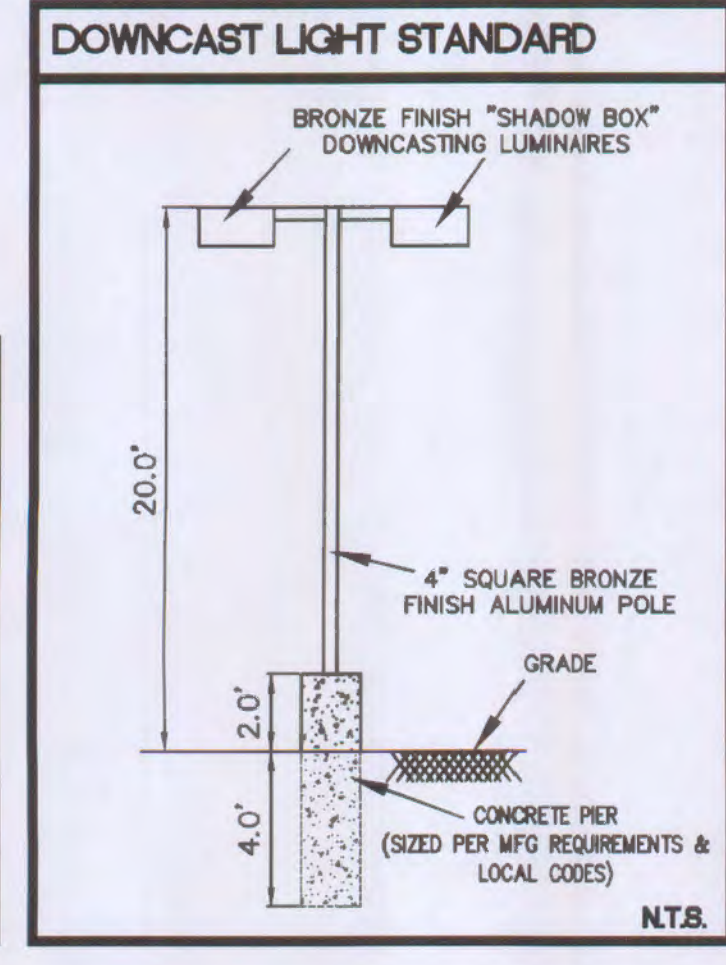
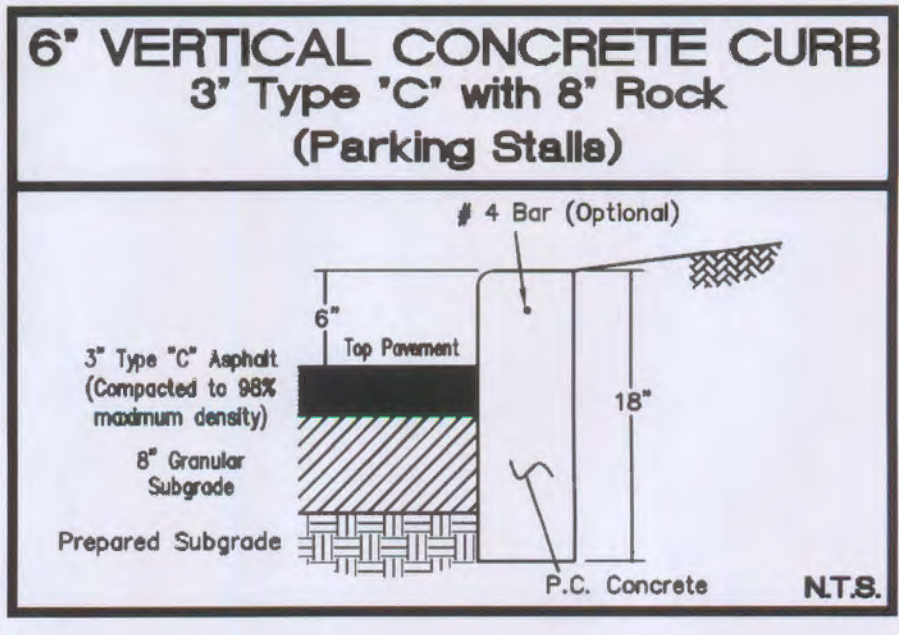
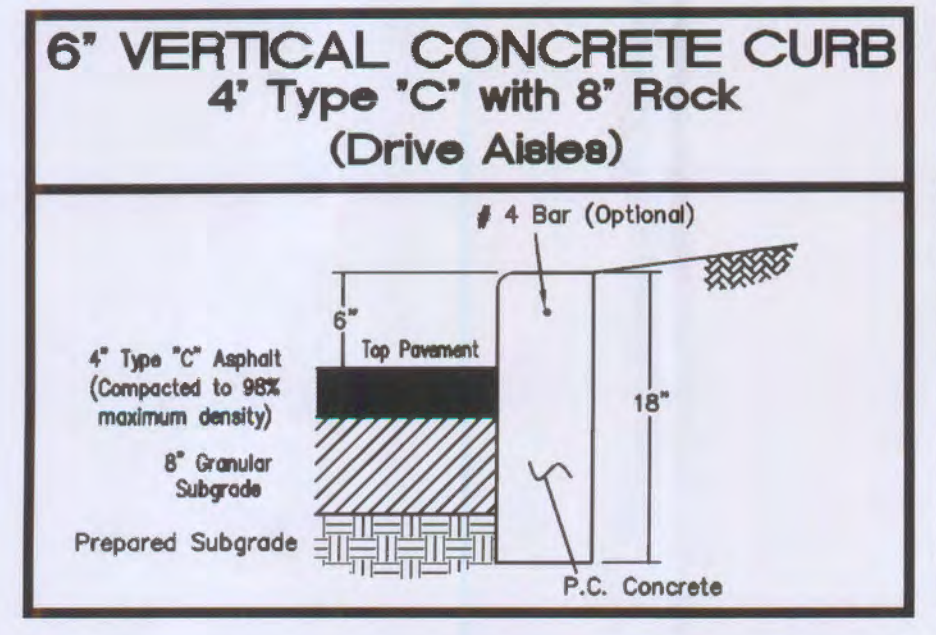
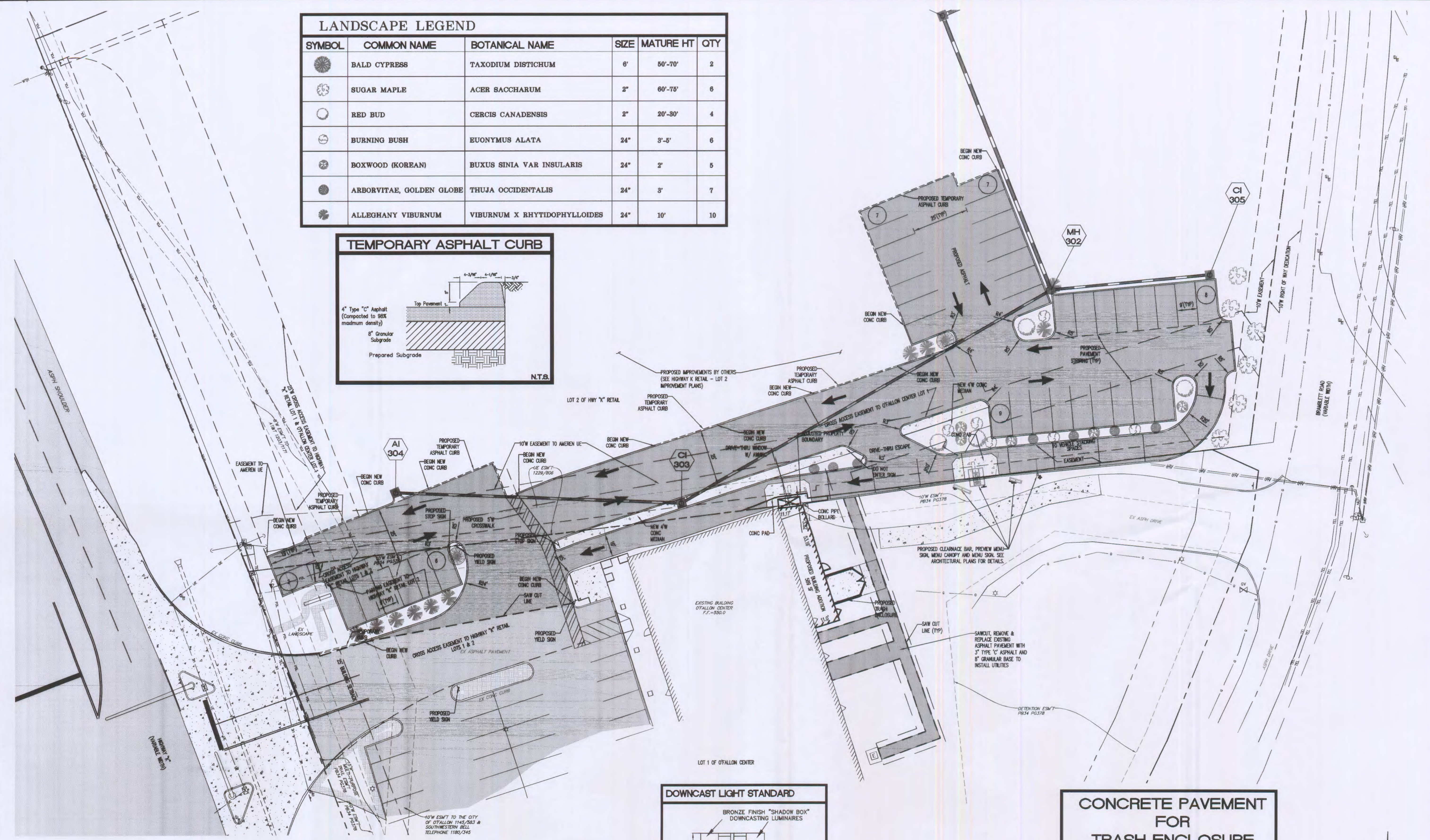
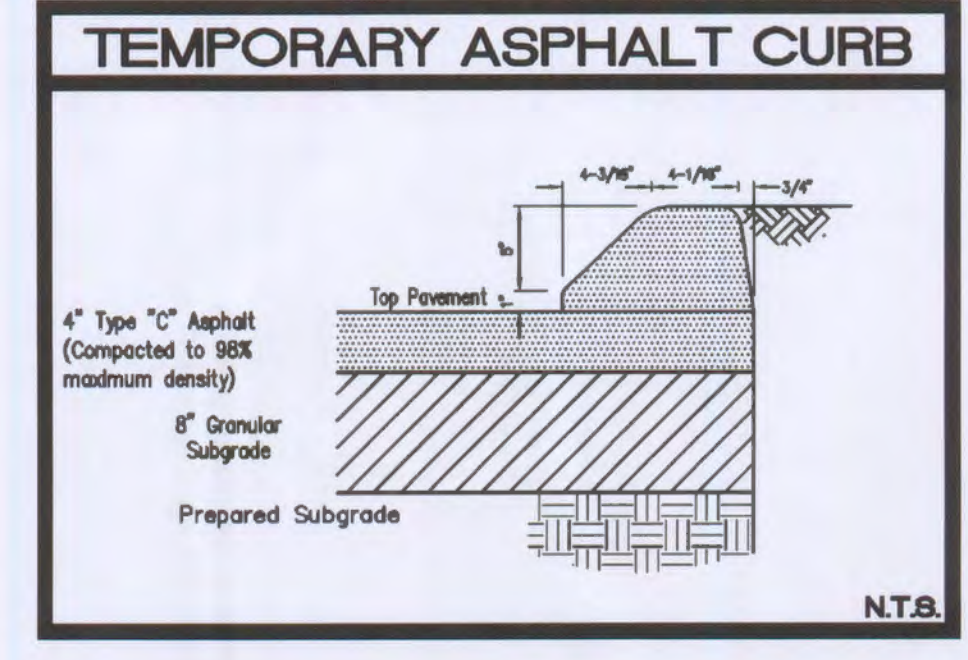


| LANDSCAPE LEGEND |                          |                              |      |           |     |
|------------------|--------------------------|------------------------------|------|-----------|-----|
| SYMBOL           | COMMON NAME              | BOTANICAL NAME               | SIZE | MATURE HT | QTY |
|                  | BALD CYPRESS             | TAXODIUM DISTICHUM           | 6"   | 50'-70'   | 2   |
|                  | SUGAR MAPLE              | ACER SACCHARUM               | 2"   | 60'-75'   | 6   |
|                  | RED BUD                  | CERCIS CANADENSIS            | 2"   | 20'-30'   | 4   |
|                  | BURNING BUSH             | EUONYMUS ALATA               | 24"  | 3'-5'     | 6   |
|                  | BOXWOOD (KOREAN)         | BUXUS SINIA VAR INSULARIS    | 24"  | 2'        | 5   |
|                  | ARBORVITAE, GOLDEN GLOBE | THUJA OCCIDENTALIS           | 24"  | 3'        | 7   |
|                  | ALLEGHANY VIBURNUM       | VIBURNUM X RHYTIDOPHYLLOIDES | 24"  | 10'       | 10  |

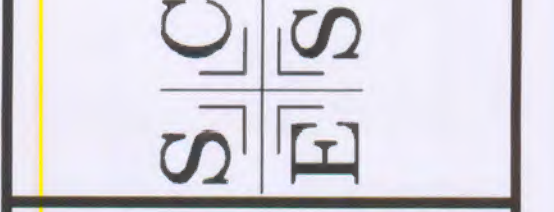


Call BEFORE you DIG  
TOLL FREE  
1-800-344-7483  
MISSOURI ONE-CALL SYSTEM, INC.

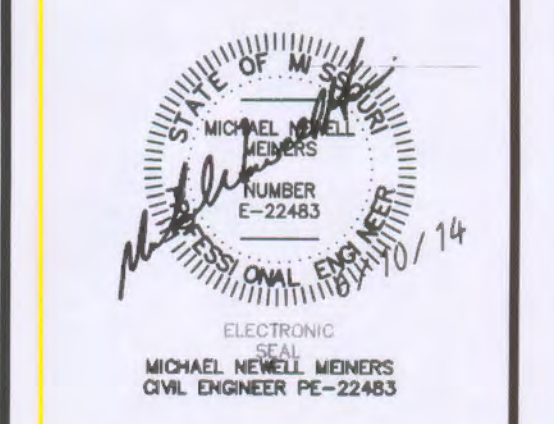
UNDERGROUND UTILITIES HAVE BEEN PLOTTED FROM AVAILABLE INFORMATION AND THEREFORE THEIR LOCATIONS SHALL BE CONSIDERED APPROXIMATE ONLY. THE VERIFICATION OF THE LOCATION OF ALL UNDERGROUND UTILITIES, EITHER SHOWN OR NOT SHOWN ON THESE PLANS, SHALL BE THE RESPONSIBILITY OF THE CONTRACTOR, AND SHALL BE LOCATED PRIOR TO ANY GRADING AND/OR CONSTRUCTION OF IMPROVEMENTS.

PANERA BREAD BAKERY  
CAFE #692  
CONSTRUCTION PLANS

ST. CHARLES ENGINEERING & SURVEYING, INC.  
801 S. FIFTH STREET, SUITE 202  
ST. CHARLES, MO 63801  
TEL: (636) 947-4807  
FAX: (636) 947-2446



ENGINEER SIGNATURE  
BLOCK



Developer / Owner Information  
K PROPERTIES HOLDINGS, LLC  
1704 NORTH FOURTH STREET  
ST. CHARLES, MO 63301  
CONTACT: MIKE THOLE  
(314) 220-1205

FLAT PLAN

P&Z No. 1812.03  
Approval Date: 5/2/2013  
City No. 14-63CP

Page No.  
4