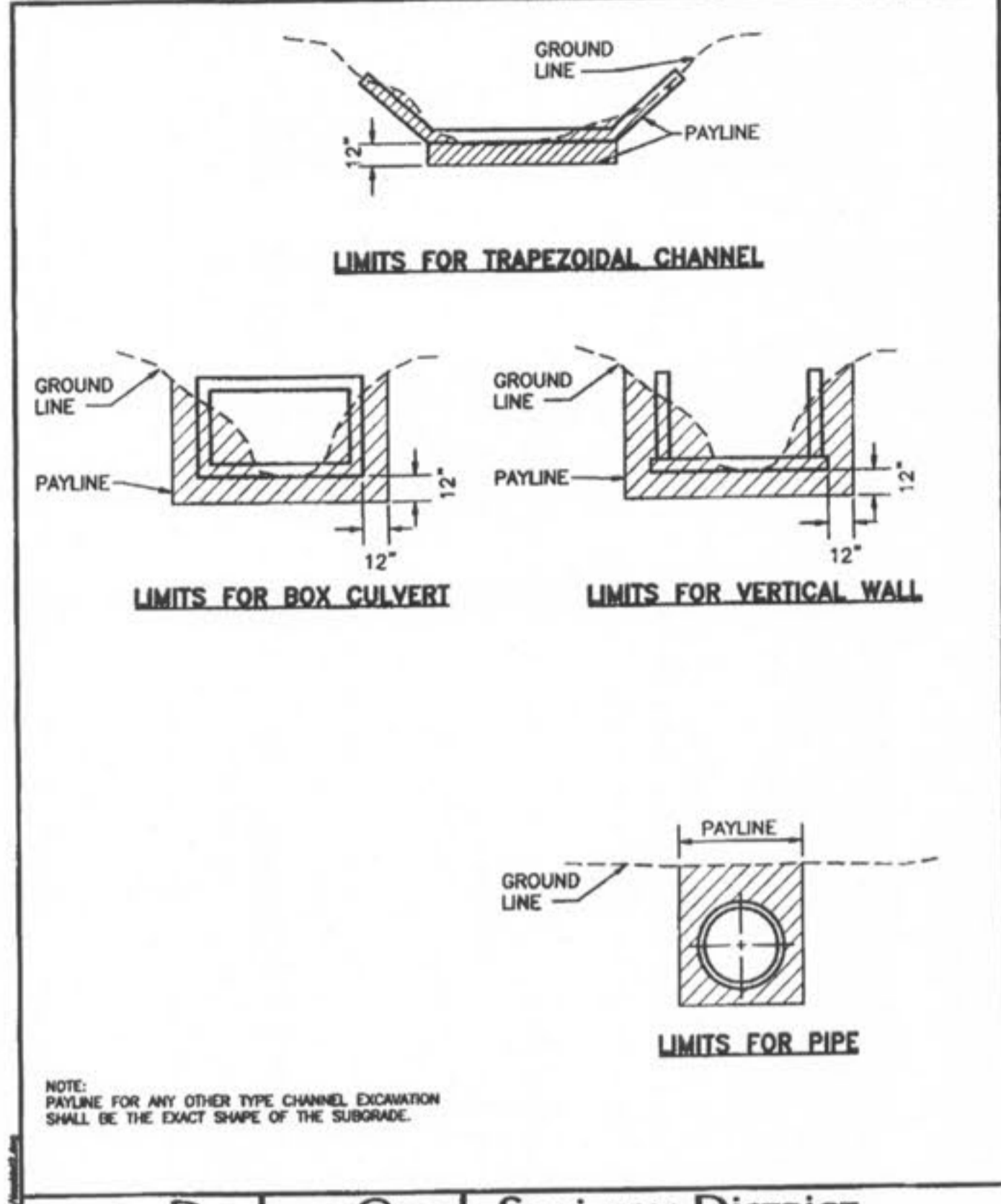


ROUND PIPE				HORIZONTAL ELLIPTICAL PIPE			
INSIDE DIAMETER OF PIPE (INCHES)	"W" PAYLINE WIDTH OF TRENCH (INCHES)	"W" PAYLINE WIDTH OF TRENCH (FEET)	PAY-VOLUMES CU. FT. PER FT.	INSIDE DIAMETER OF PIPE (INCHES)	"W" PAYLINE WIDTH OF TRENCH (INCHES)	"W" PAYLINE WIDTH OF TRENCH (FEET)	PAY-VOLUMES CU. FT. PER FT.
4	30	2.50	3.28				
6	30	2.50	3.59				
8	30	2.50	3.87				
10	30	2.50	4.09				
12	30	2.50	4.25				
15	36	3.00	5.55				
18	36	3.00	5.77	14 x 23	41	3.42	5.94
21	39	3.25	6.61				
24	42	3.50	7.39	19 x 30	49	4.08	7.68
27	45	3.75	8.18	22 x 34	53	4.42	8.61
30	49	4.08	9.30	24 x 38	58	4.83	9.70
33	53	4.42	10.53	27 x 42	62	5.17	10.71
36	56	4.67	11.43	29 x 45	66	5.50	11.72
39		DISCONTINUED		32 x 49	71	5.92	13.14
42	63	5.25	13.38	34 x 53	75	6.25	14.05
48	70	5.83	15.67	38 x 60	83	6.92	16.18
54	77	6.42	18.15	43 x 68	92	7.67	18.81
60	84	7.00	20.73	48 x 76	101	8.42	21.59
66	91	7.58	23.45	53 x 83	109	9.08	24.35
72	98	8.17	26.37	58 x 91	118	9.83	27.45
78	105	8.75	29.39	63 x 98	126	10.50	30.50
84	112	9.33	32.57	68 x 106	135	11.25	33.91
90	119	9.92	35.90	72 x 113	143	11.92	36.99
96	126	10.50	39.37	77 x 121	152	12.67	40.69
102	133	11.08	42.99	82 x 128	160	13.33	44.45
108	140	11.67	46.75	87 x 136	168	14.00	47.79
114	147	12.25	50.66	92 x 143	176	14.67	51.70
120	154	12.83	54.72	97 x 151	185	15.42	56.01
126	161	13.42	58.92				
132	168	14.00	63.27	106 x 166	202	16.83	64.48
144	182	15.17	72.40	116 x 180	218	18.17	73.59

Duckett Creek Sanitary District

PAYLINE WIDTHS OF TRENCH AND PAY-QUANTITIES OF CONCRETE

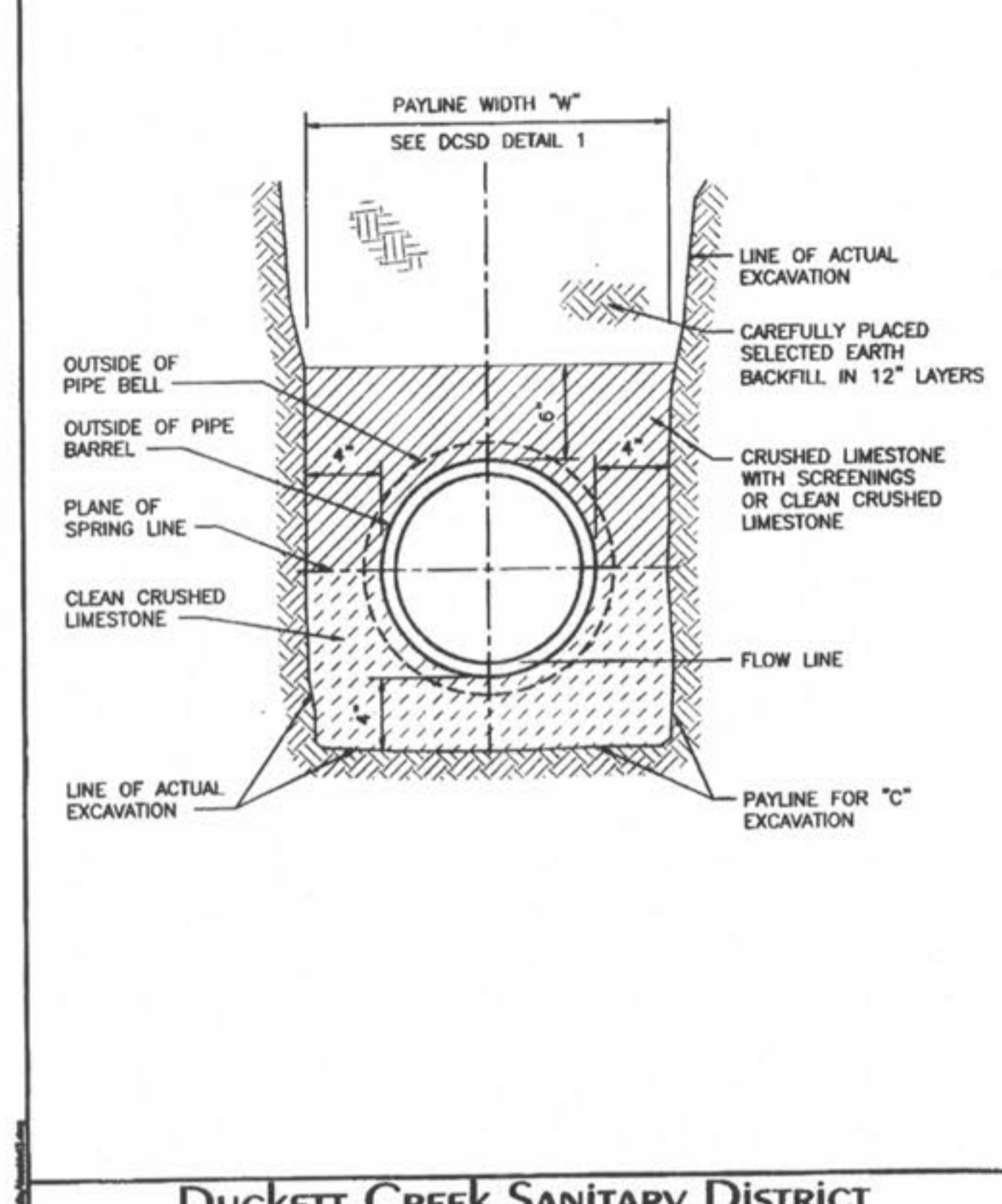
Drawn By: BSM	App By: KLA	Detail No. 1
Check By: MDOB	Date: 12-21-99	



Duckett Creek Sanitary District

PAYLINE LIMITS FOR EXCAVATION

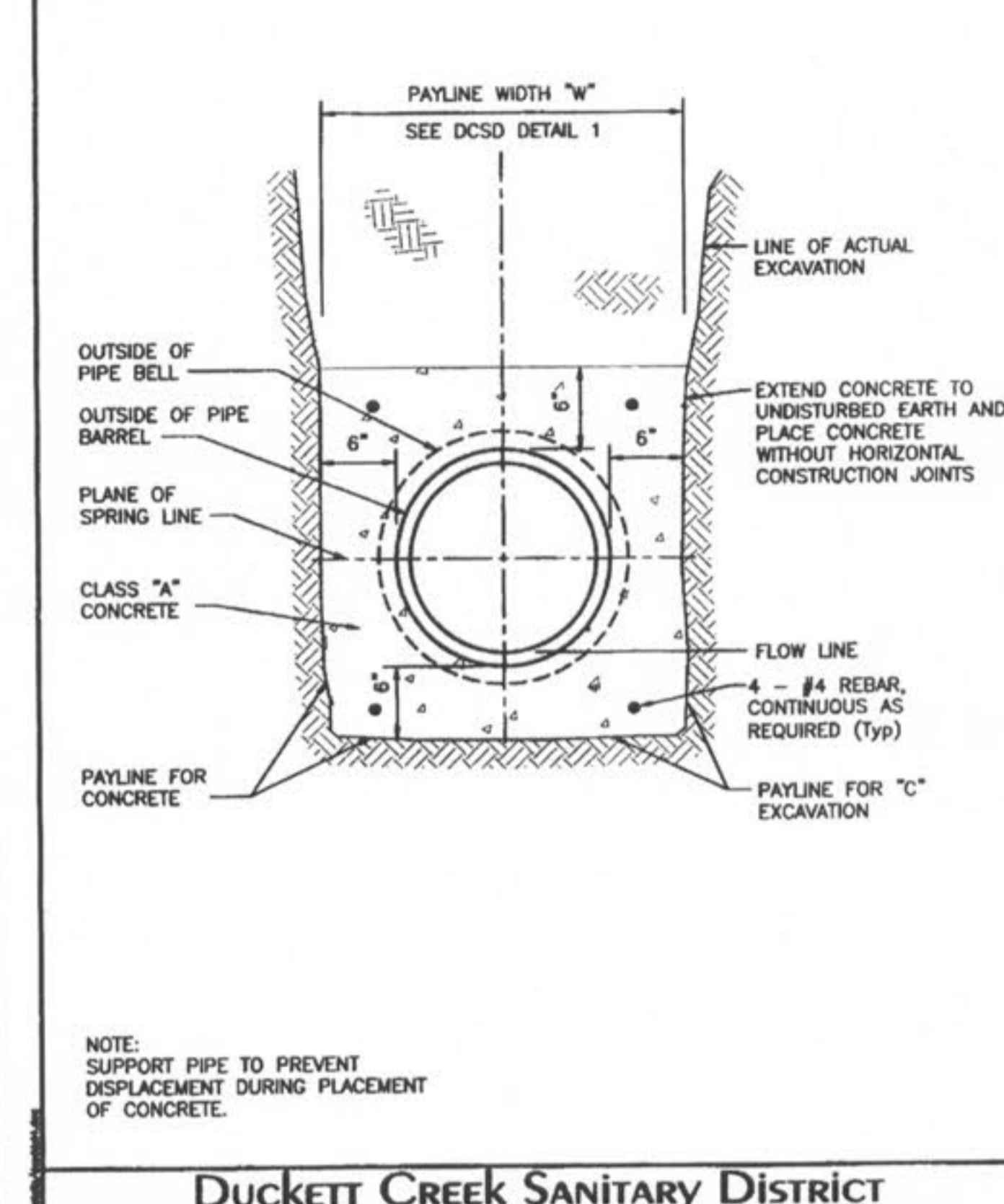
Drawn By: BSM	App By: KLA	Detail No. 2
Check By: MDOB	Date: 12-21-99	



Duckett Creek Sanitary District

PIPE BEDDING CLASS "C" (FOR ALL PIPE EXCEPT REINFORCED CONCRETE PIPE)

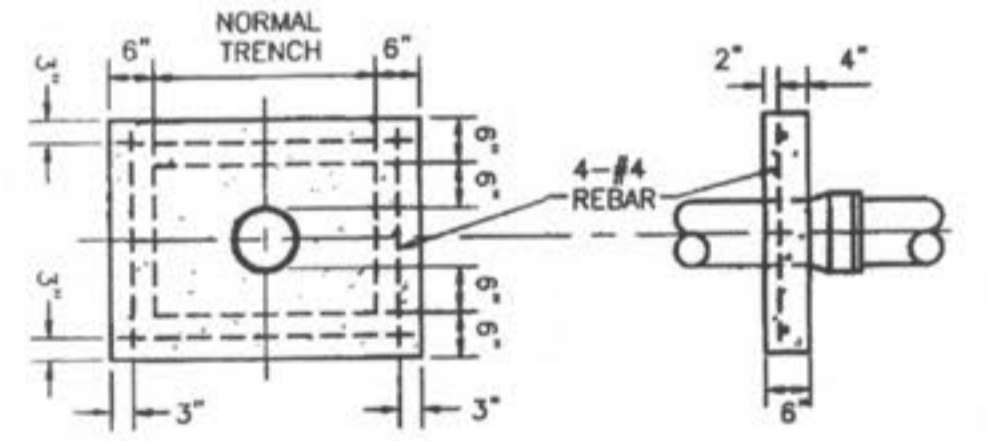
Drawn By: BSM	App By: KLA	Detail No. 3
Check By: MDOB	Date: 12-21-99	



Duckett Creek Sanitary District

TYPICAL CONCRETE ENCASUREMENT

Drawn By: BSM	App By: KLA	Detail No. 4
Check By: MDOB	Date: 12-21-99	

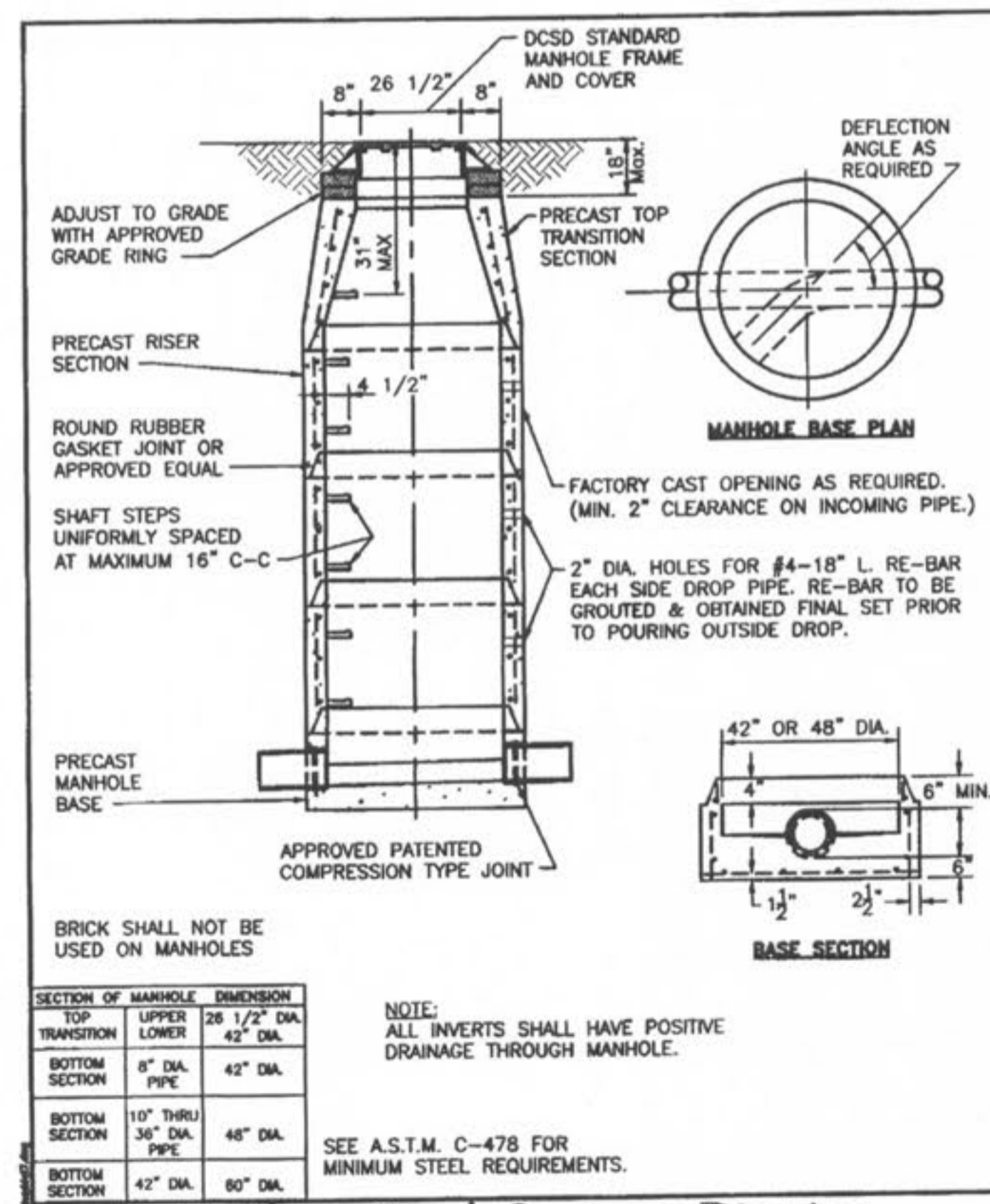


FRONT SECTION SECTION THROUGH COLLAR

Duckett Creek Sanitary District

CONCRETE ANTI-SLIP COLLAR FOR PVC PIPE ON PIPE SLOPES FROM 15% TO 50%

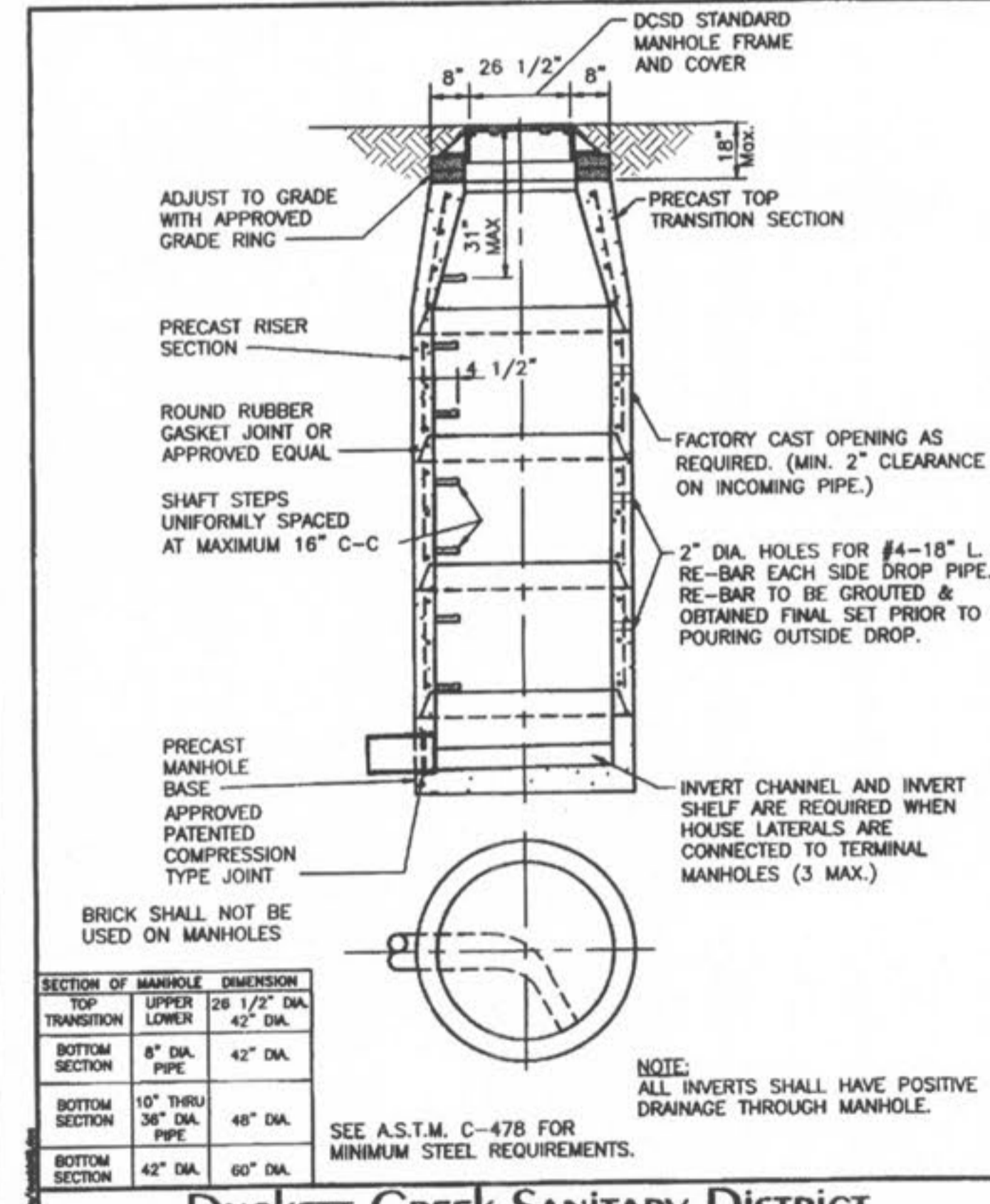
Drawn By: BSM	App By: KLA	Detail No. 5
Check By: MDOB	Date: 12-21-99	



Duckett Creek Sanitary District

PRE-CAST CONCRETE MANHOLE FOR SEWERS 8" THROUGH 18"

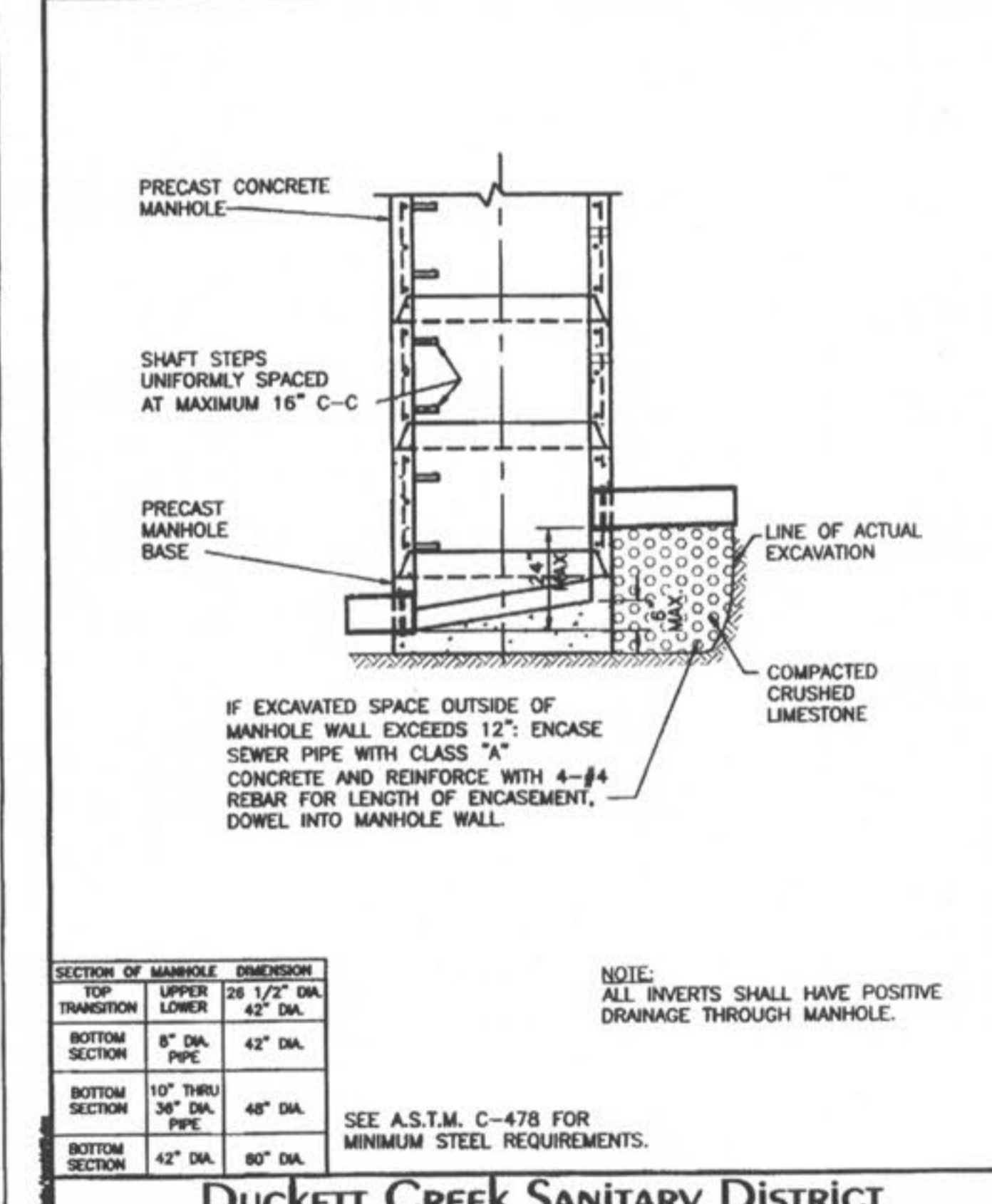
Drawn By: BSM	App By: KLA	Detail No. 7
Check By: MDOB	Date: 12-30-99	



Duckett Creek Sanitary District

TERMINAL MANHOLE FOR SEWERS 8" THROUGH 18"

Drawn By: BSM	App By: KLA	Detail No. 8
Check By: MDOB	Date: 01-03-00	



Duckett Creek Sanitary District

INSIDE FOULWATER DROP MANHOLE (SWEEP INVERT)

Drawn By: BSM	App By: KLA	Detail No. 9
Check By: MDOB	Date: 01-04-00	

LAYOUT SANITARY 151
DATE: 12/21/99
DRAWING NO: V0855\sub\007\07-075.dwg
007-075.dwg IMPROVEMENT PLANS\0_PLAN_C10.DETAILS_07-075.dwg

PLANNING AND DEVELOPMENT DEPARTMENT FILE #8831.57 (AREA PLAN-APPROVED MAY 24TH, ORDINANCE #5178) - 9831.57.01 (FINAL PLAN)

DESIGNED BY: C.B
DRAWN BY: KDK
CHECKED BY: JFH
DATE: 11/6/07
Job Number: 07-075
Sheet Number: C10.1

DEVELOPER/OWNER:
THE VILLAGE AT PARK PLACE, LLC,
1001 BOARDWALK SPRINGS PL
OFALLON, MO 63366
PHONE: (636) 561-9323

SEAL: [Professional Engineer Seal for Matthew B. Wuestner, No. 000000000, State of Missouri]

REVISIONS:

NO.	DATE	DESCRIPTION
1	07/17/2008	CITY OF OFALLON PERD. 6/2/08 COMMENTS
2	07/17/2008	CITY OF OFALLON PERD. 6/2/08 COMMENTS
3	07/17/2008	CITY OF OFALLON PERD. 6/2/08 COMMENTS

THE PROFESSIONAL ENGINEER'S SEAL AND PERSONAL SEAL APPEAR HEREON ASSURED BY THE STATE OF MISSOURI. ANY CHANGES TO THIS PLAN SHALL BE MADE BY THE PROFESSIONAL ENGINEER. THIS PLAN IS NOT TO BE USED FOR ANY OTHER PROJECTS. ESTIMATES, REPORTS, OR OTHER DOCUMENTS OF INSTRUMENTS NOT SPECIFIED BY THE PROFESSIONAL ENGINEER SHALL BE THE PROPERTY OF THE PROFESSIONAL ENGINEER TO WHOM THIS PLAN BELONGS.