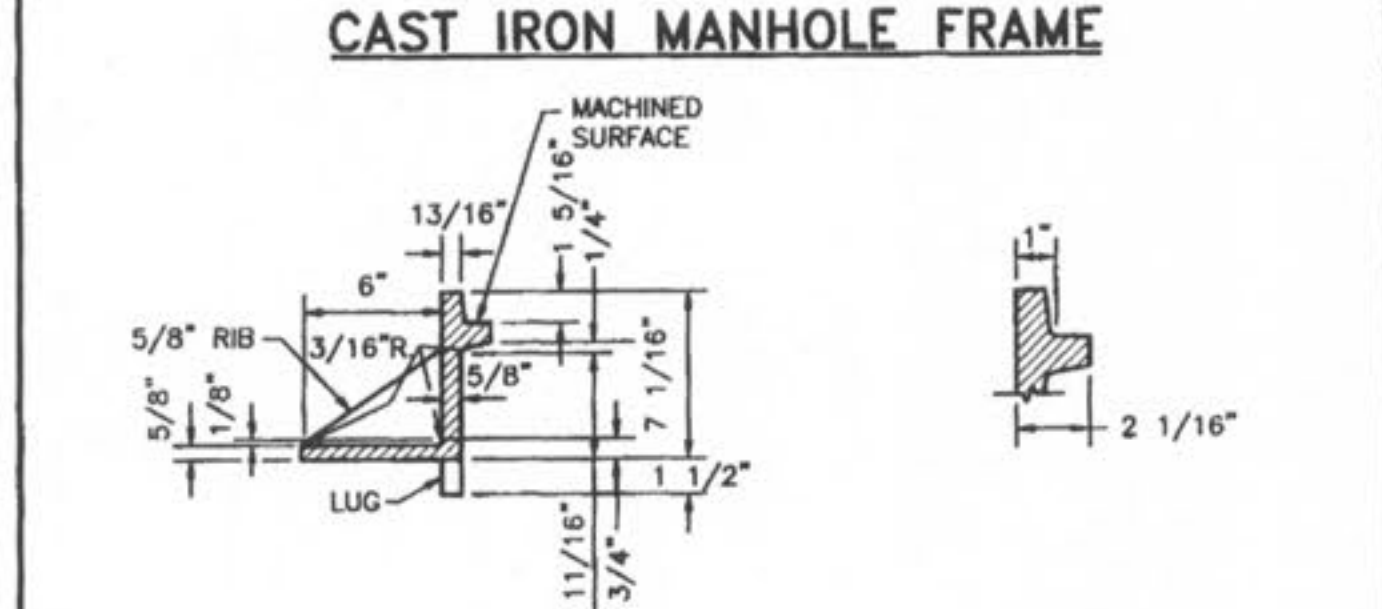
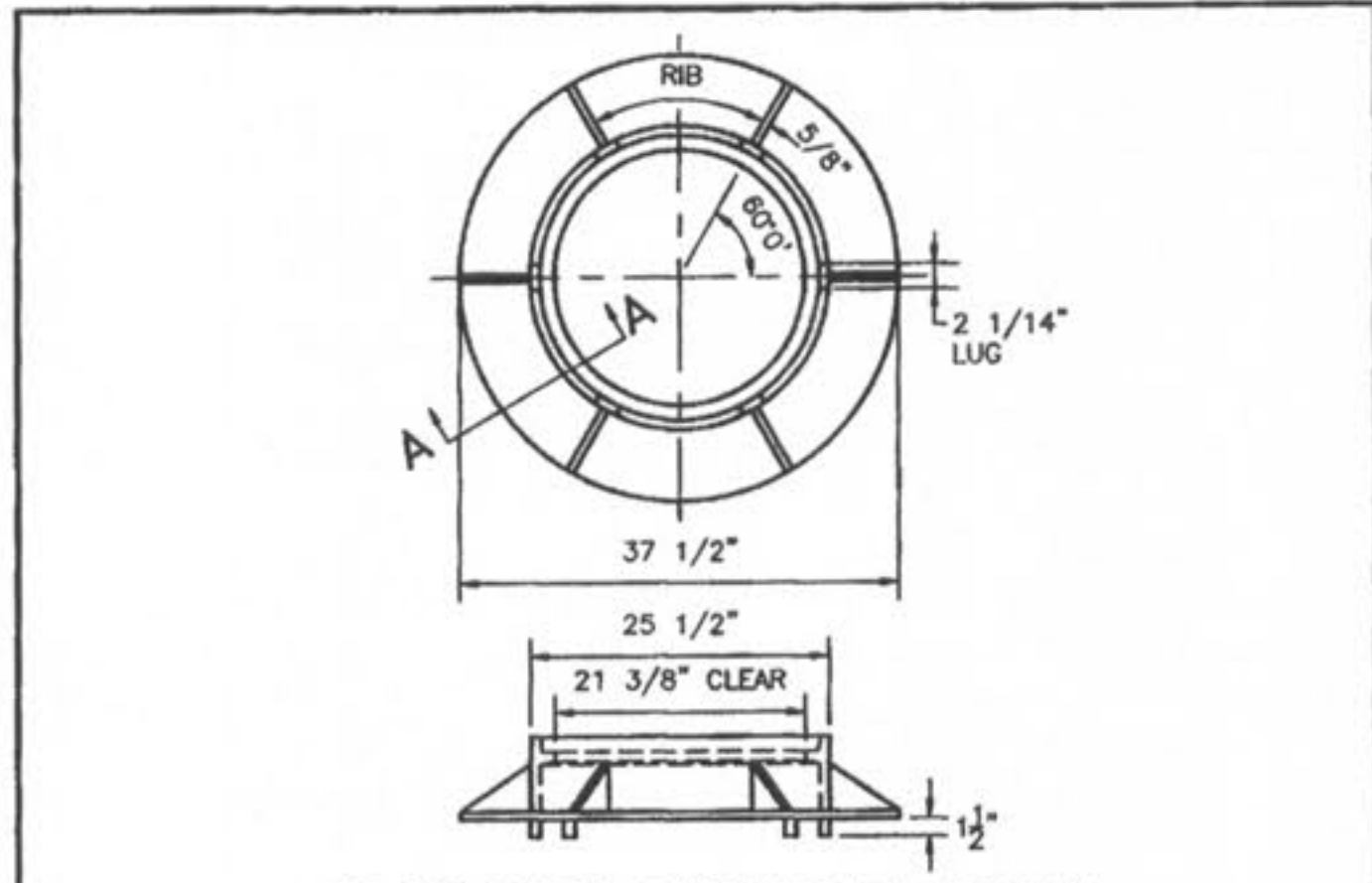


NOTE: ALL INVERTS SHALL HAVE POSITIVE DRAINAGE THROUGH MANHOLE.

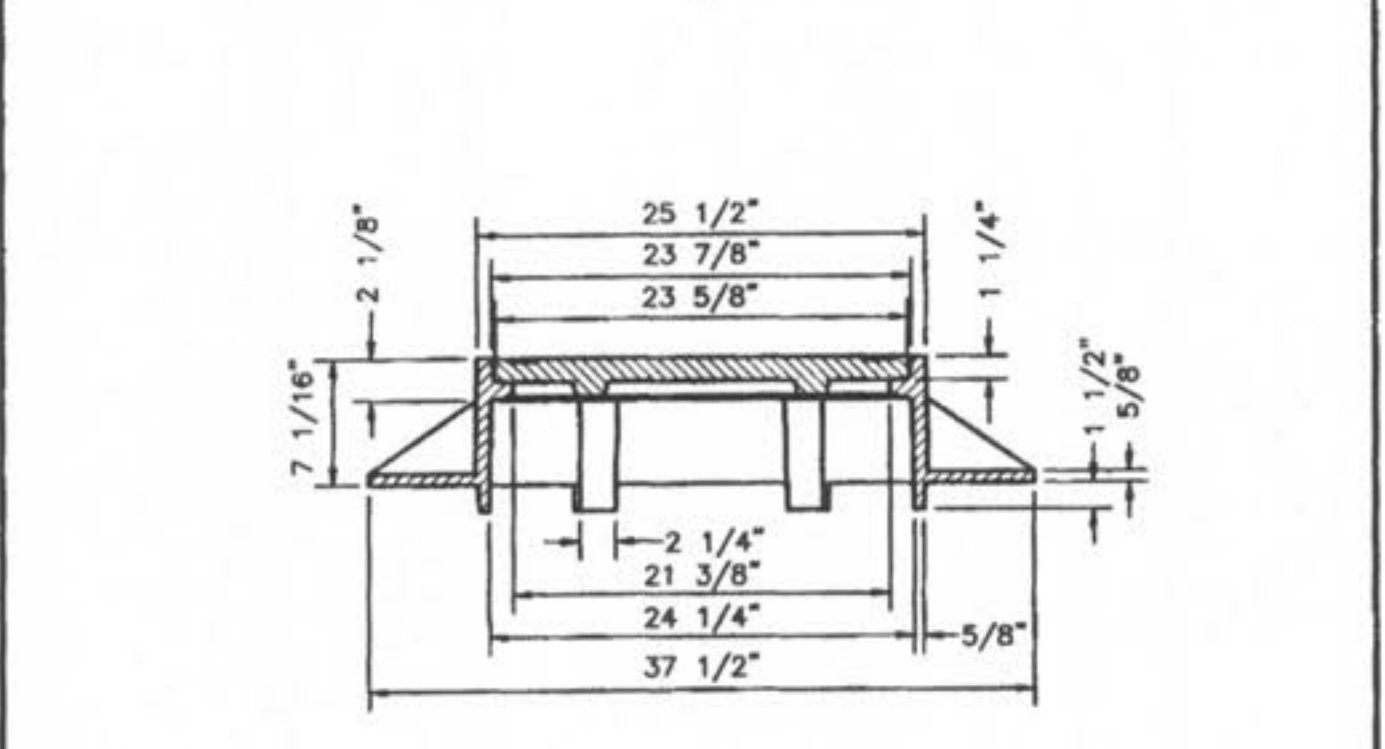
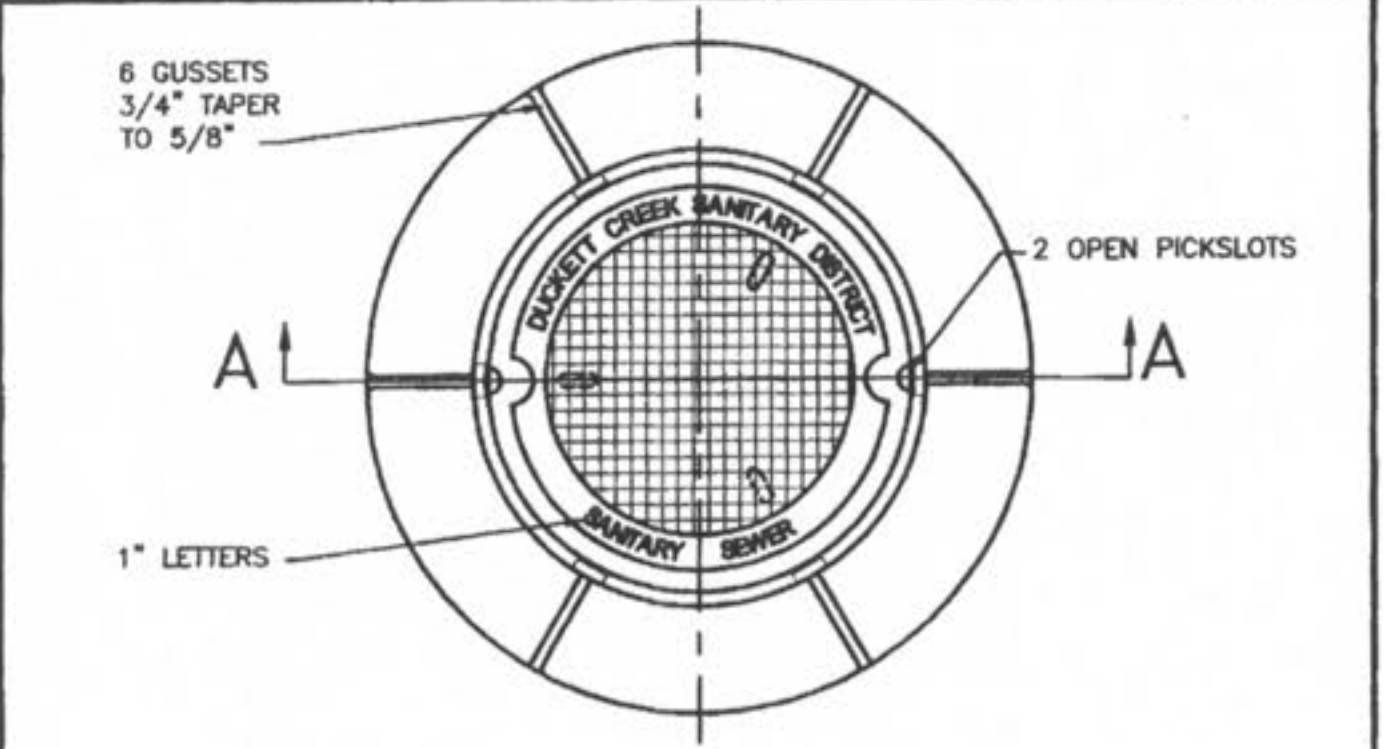
DUCKETT CREEK SANITARY DISTRICT

INSIDE DROP MANHOLE	Dim By: BSM	App By: KLA	Detail No. 10
	Old By: MDOB	Date: 01-10-00	



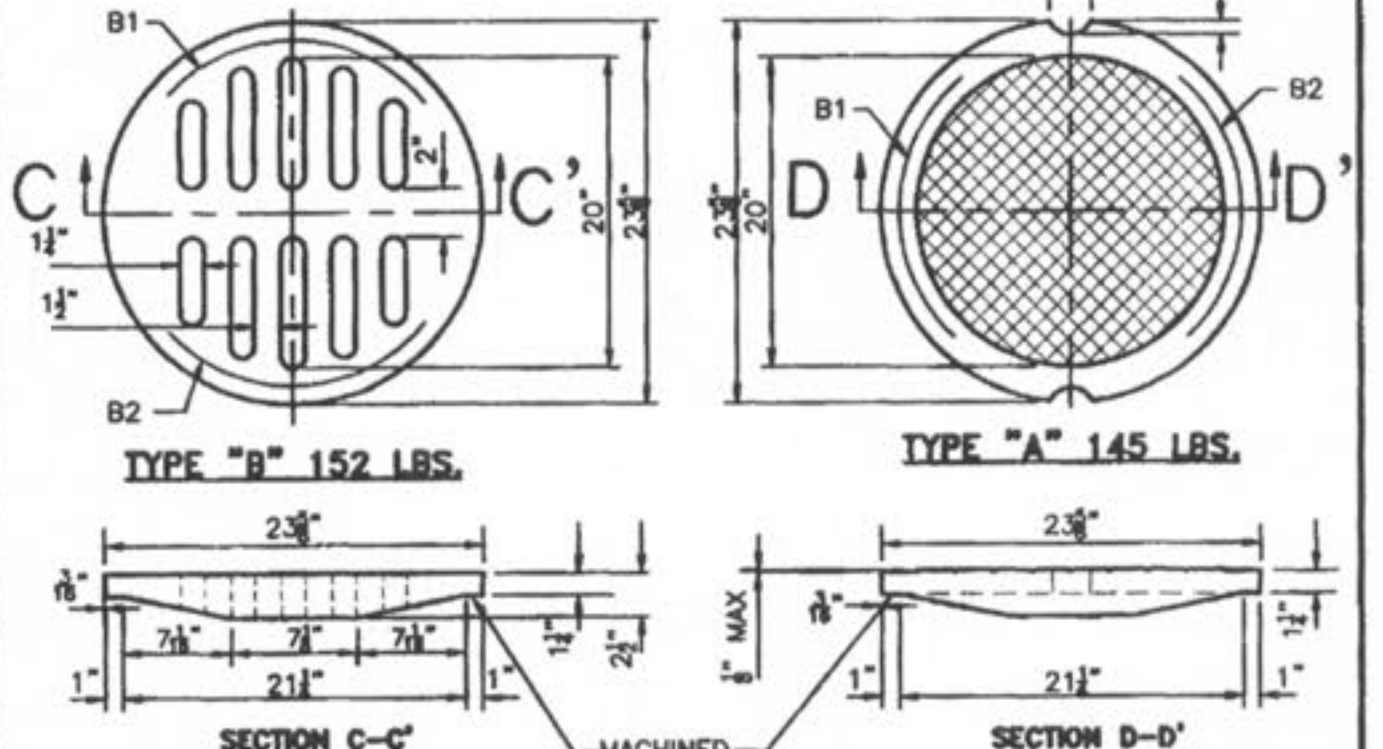
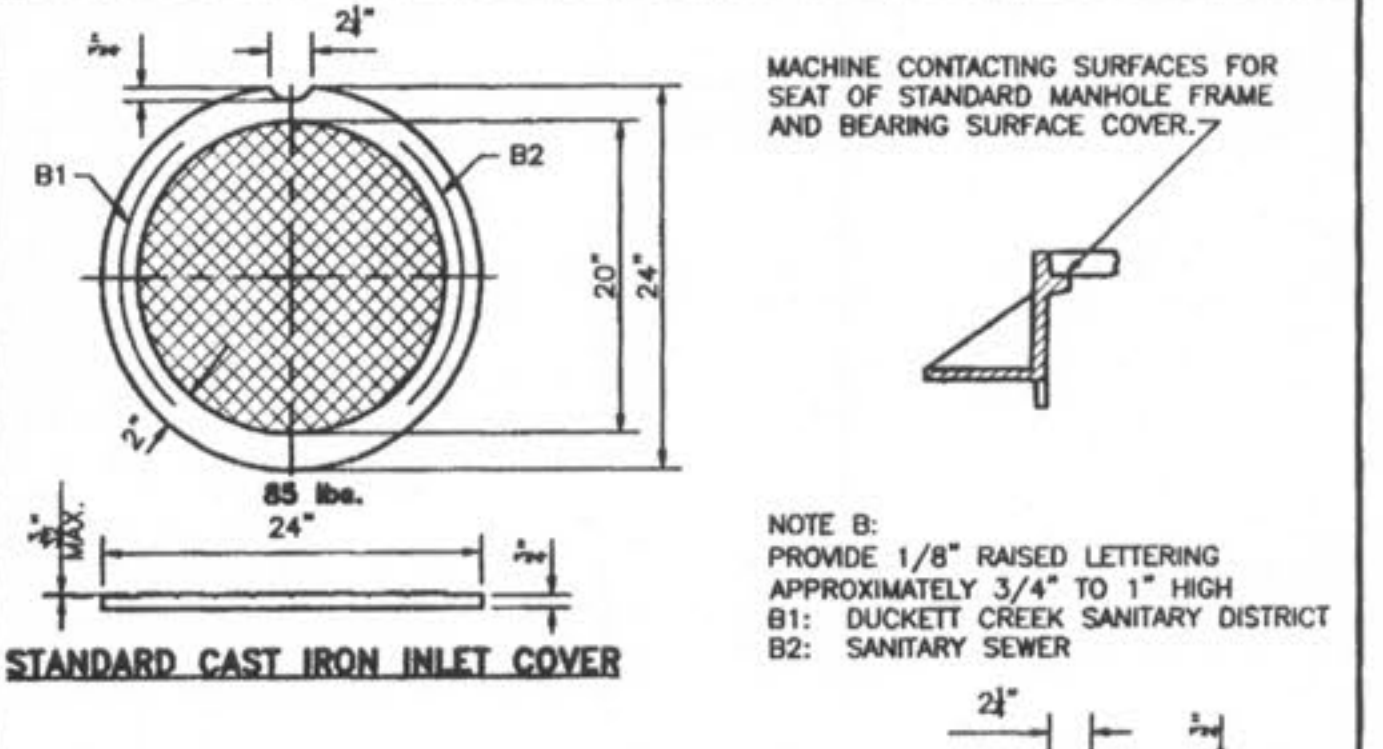
DUCKETT CREEK SANITARY DISTRICT

CAST IRON MANHOLE FRAME	Dim By: BSM	App By: KLA	Detail No. 11
	Old By: MDOB	Date: 01-14-00	



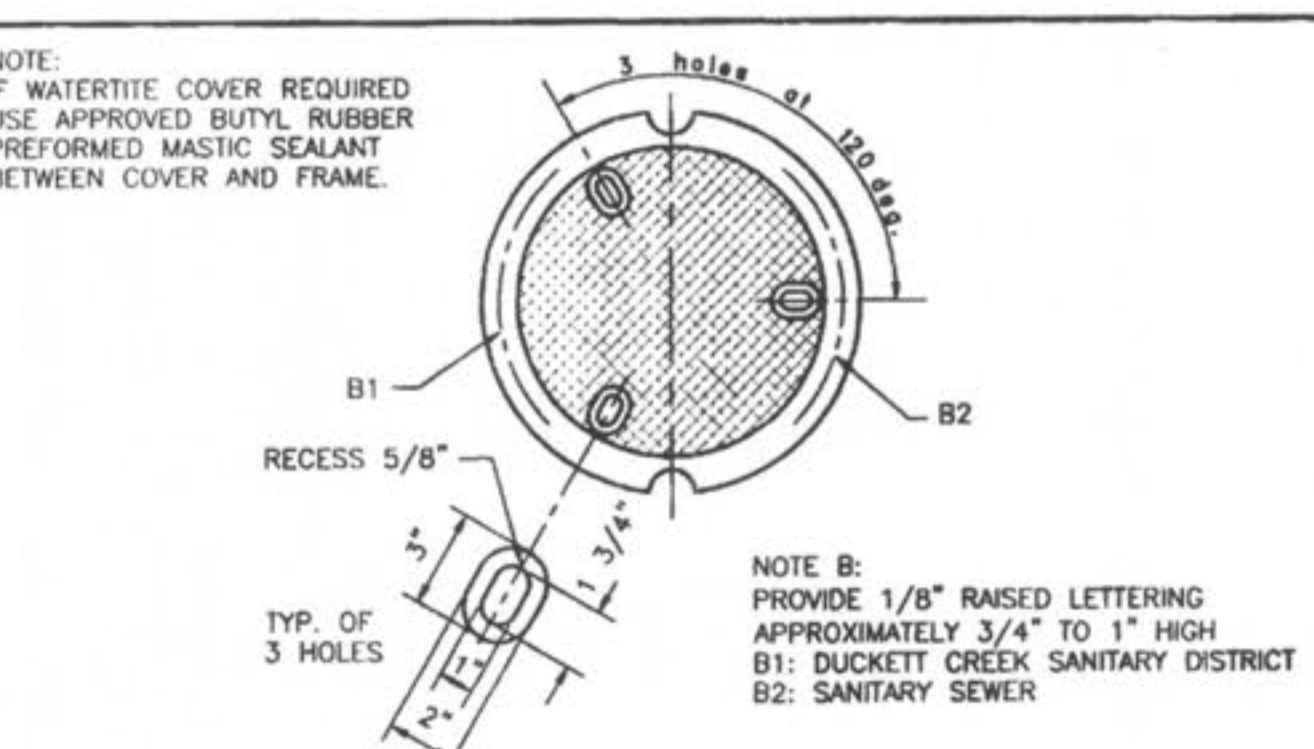
DUCKETT CREEK SANITARY DISTRICT

MANHOLE FRAME AND COVER	Dim By: BSM	App By: KLA	Detail No. 12
	Old By: MDOB	Date: 01-14-00	



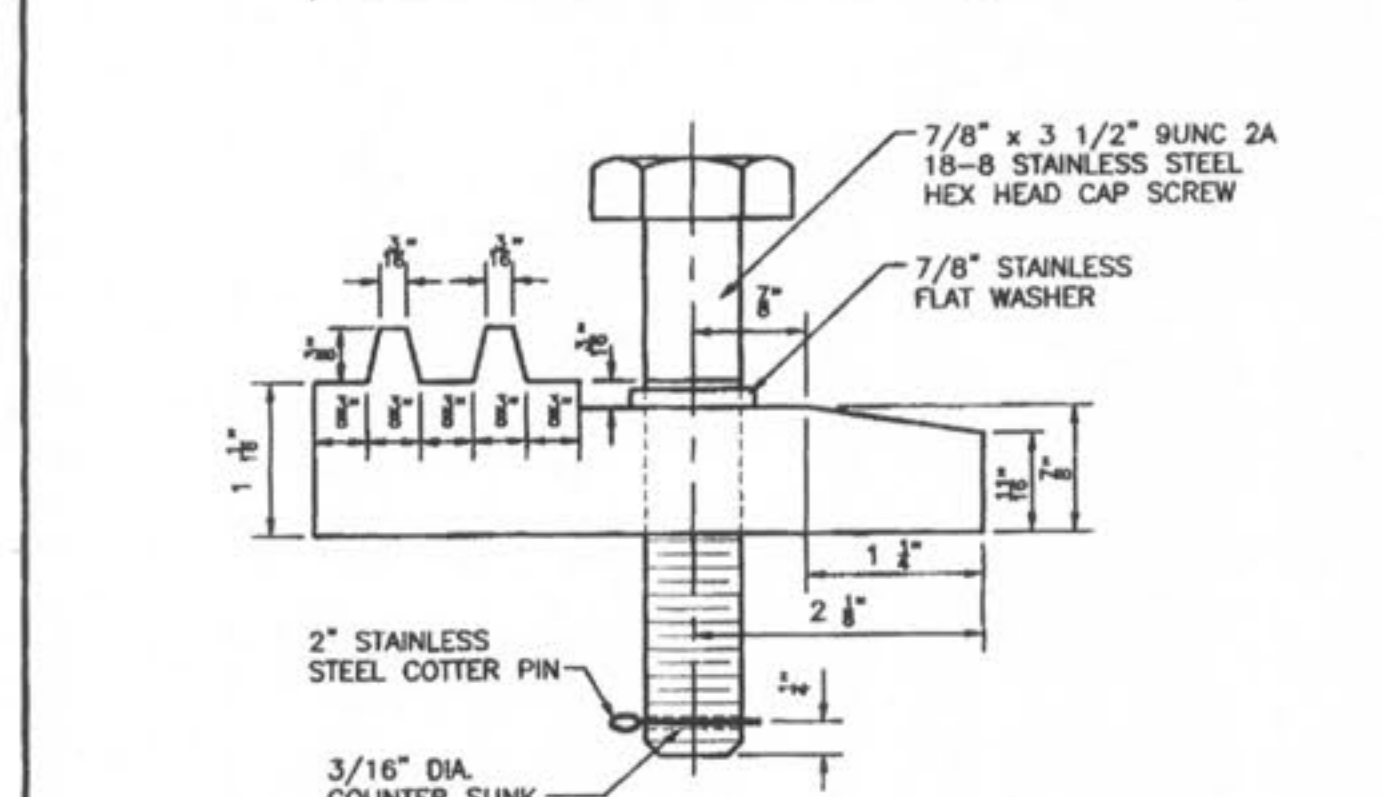
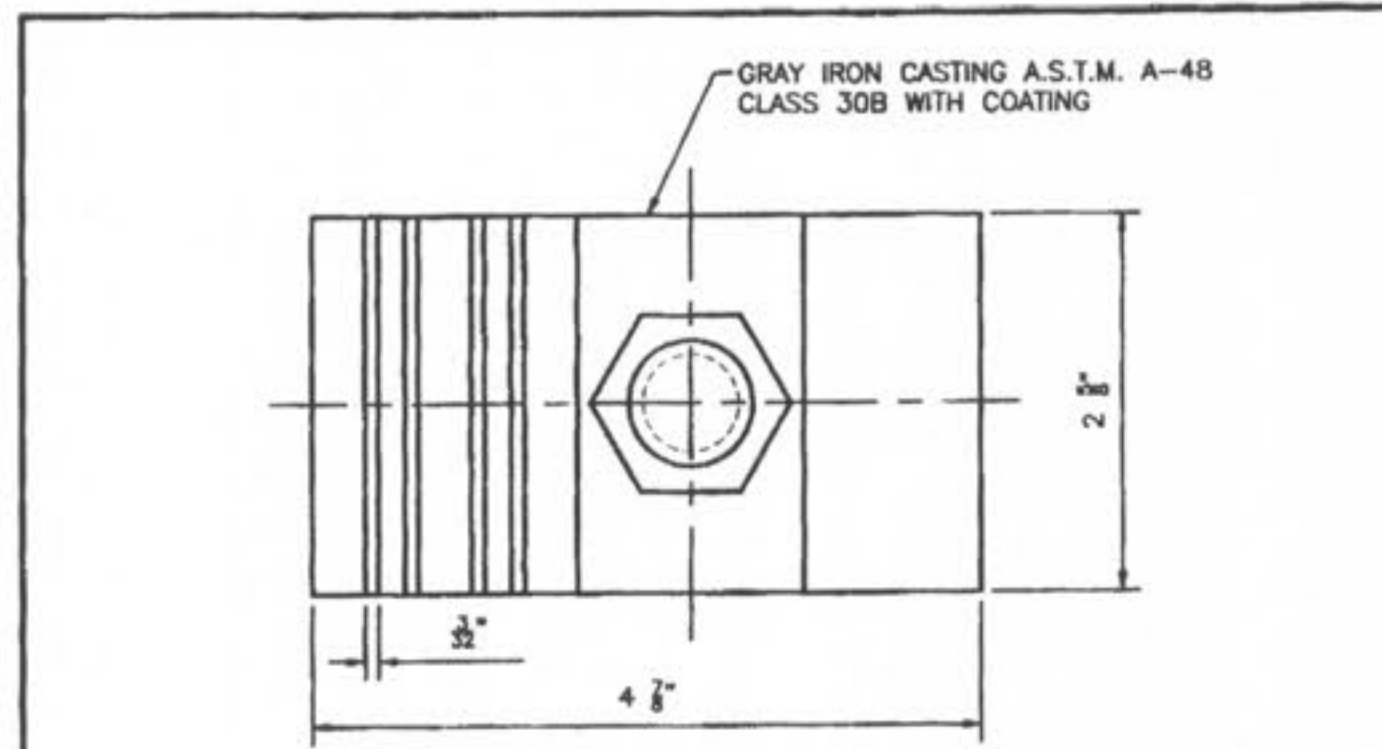
DUCKETT CREEK SANITARY DISTRICT

CAST IRON COVERS MANHOLES AND INLETS	Dim By: BSM	App By: KLA	Detail No. 13
	Old By: MDOB	Date: 12-22-00	



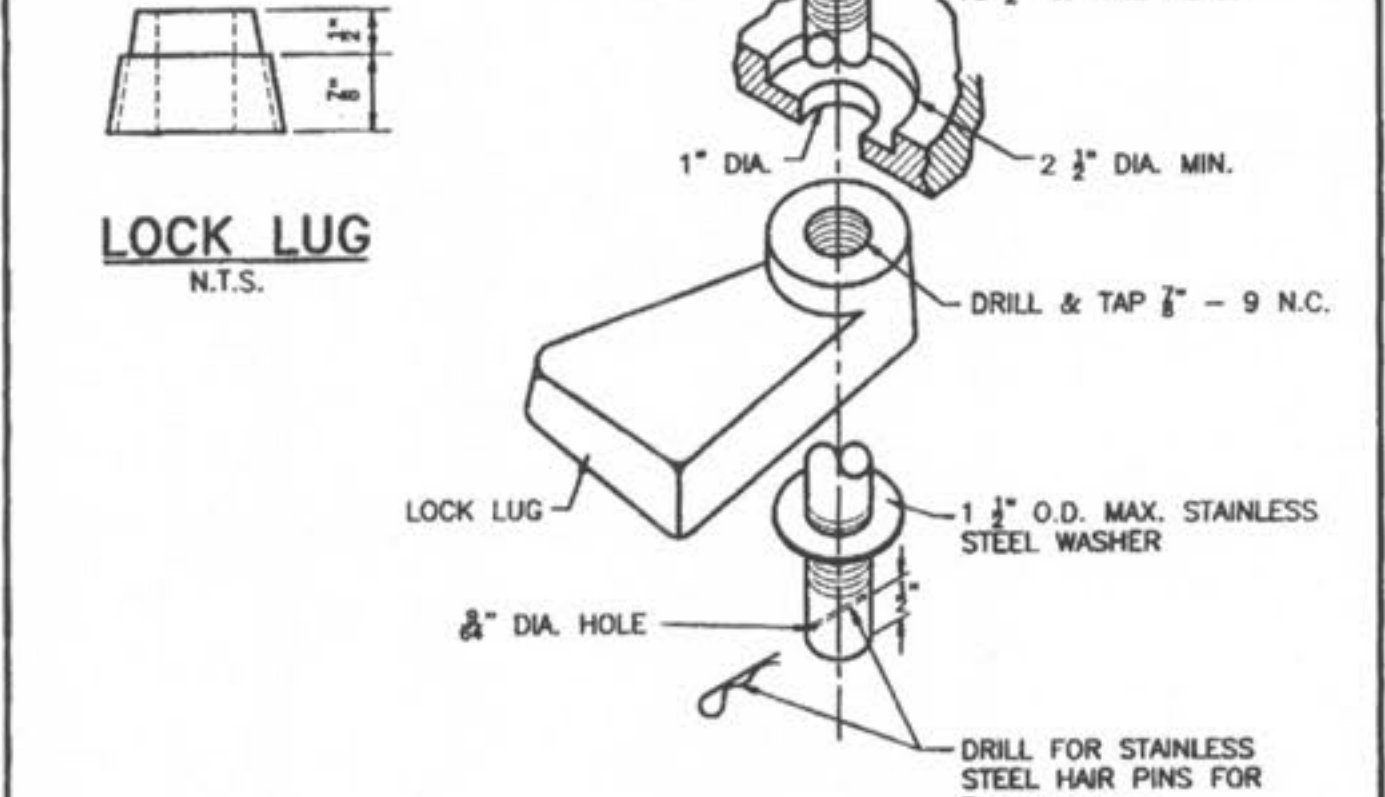
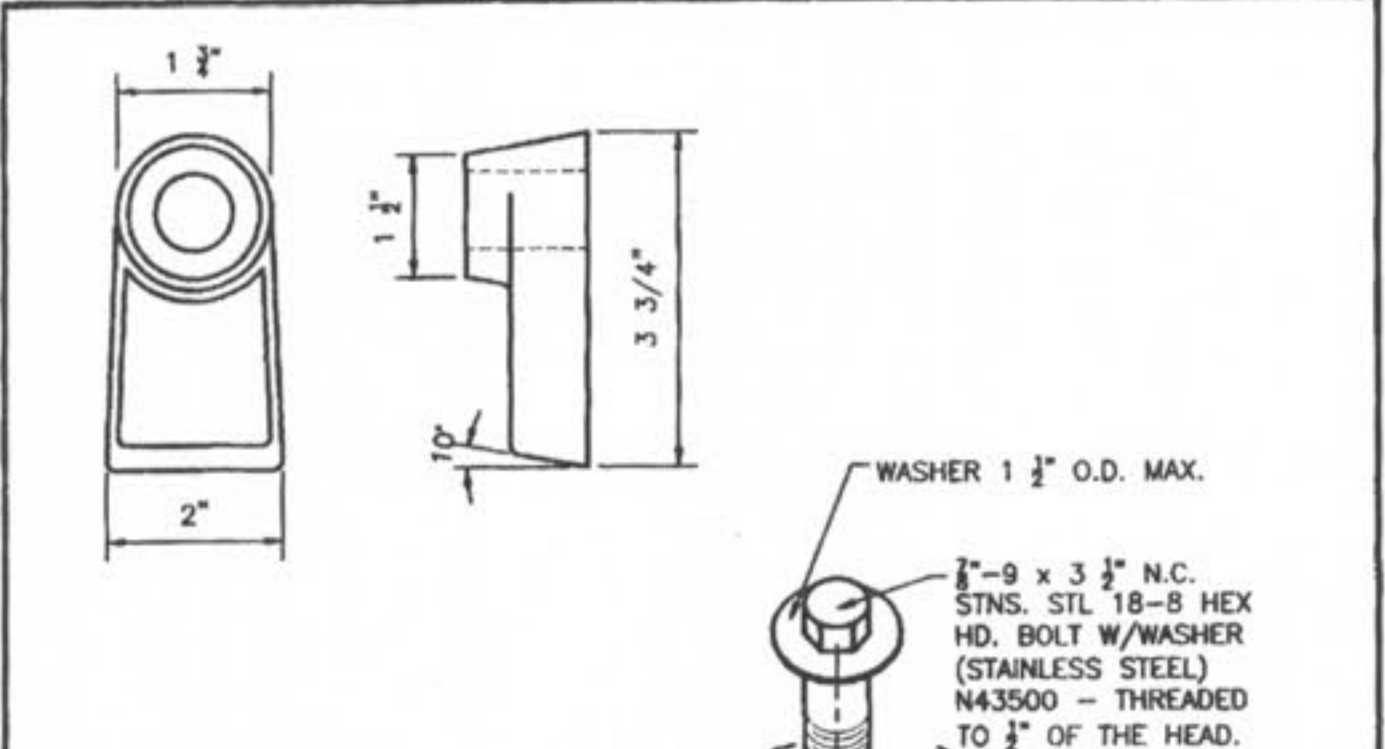
DUCKETT CREEK SANITARY DISTRICT

CAST IRON MANHOLE COVERS (LOCK TYPE)	Dim By: BSM	App By: KLA	Detail No. 14
	Old By: MDOB	Date: 12-27-00	



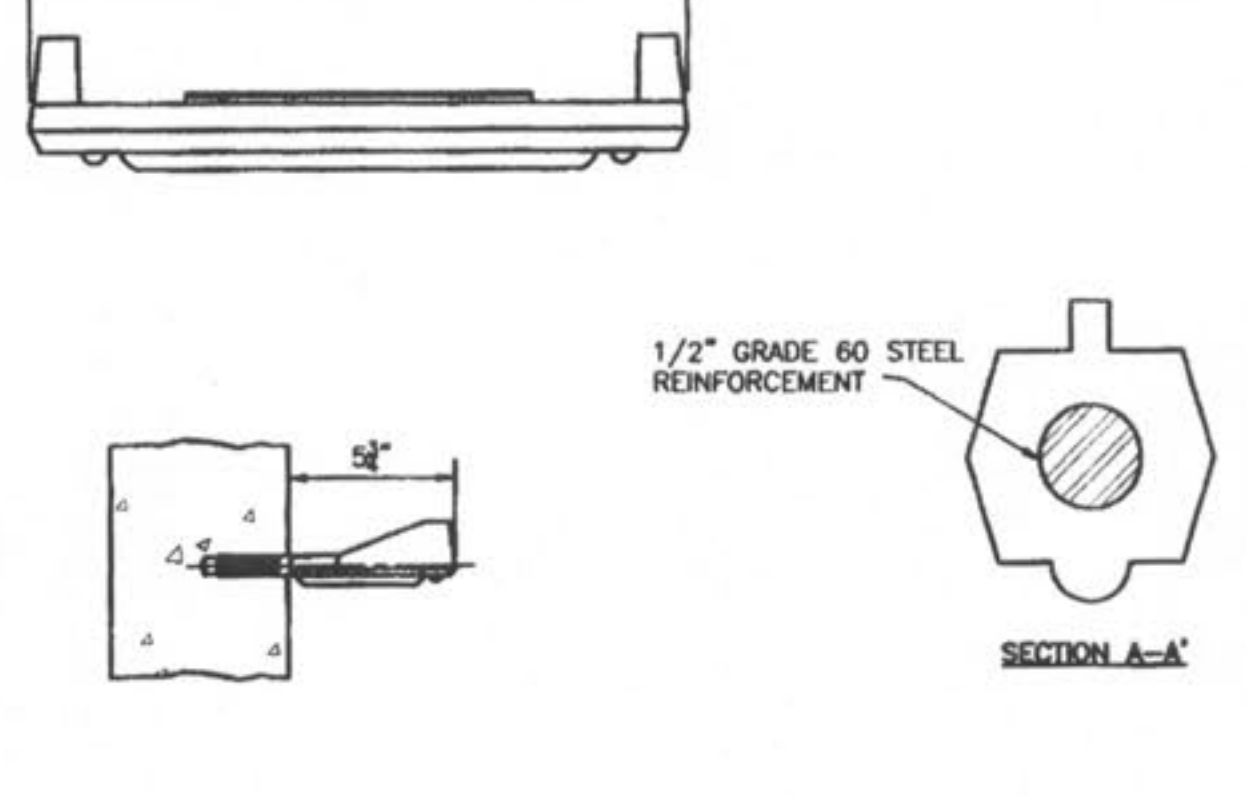
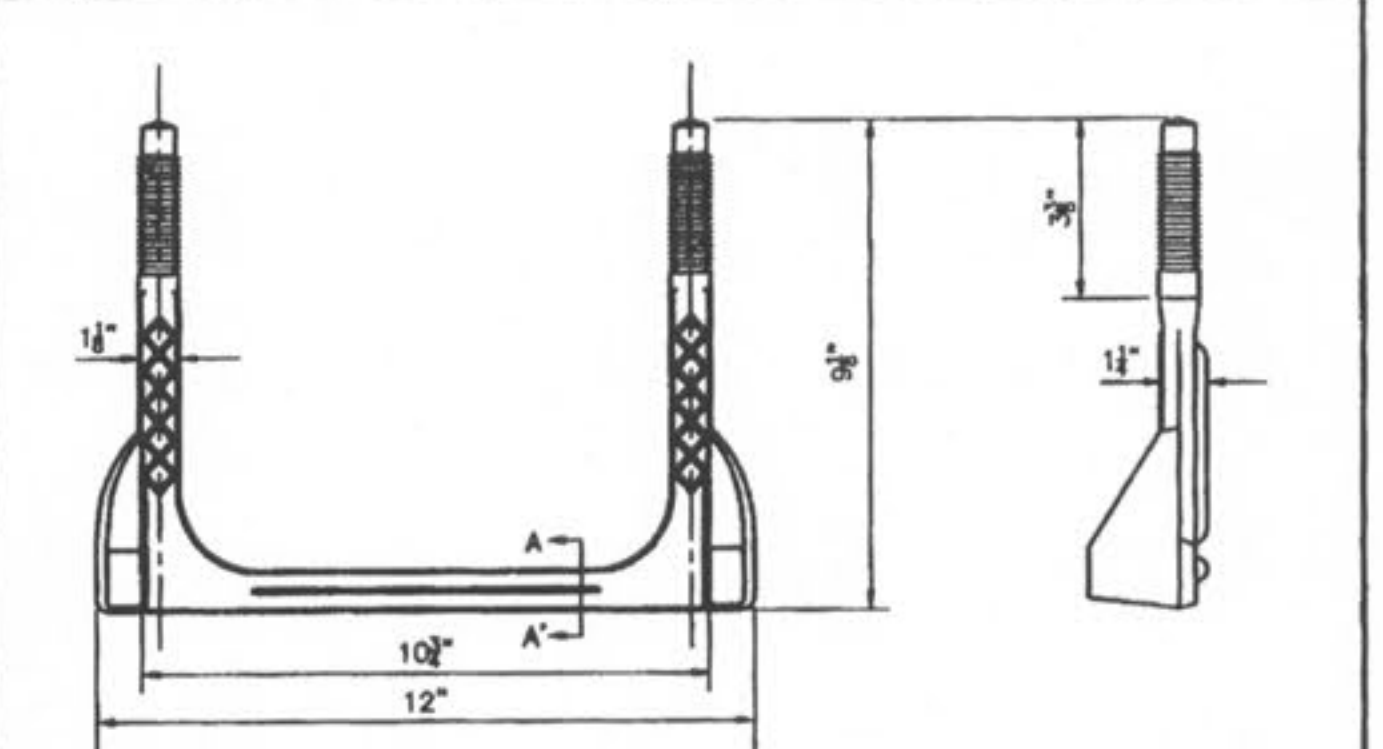
DUCKETT CREEK SANITARY DISTRICT

LOCKING DEVICE FOR TYPE "T" LOCK TYPE MANHOLE COVER	Dim By: BSM	App By: KLA	Detail No. 15
	Old By: MDOB	Date: 12-27-00	



DUCKETT CREEK SANITARY DISTRICT

LOCKING DEVICE FOR TYPE "N" LOCK TYPE MANHOLE COVER	Dim By: BSM	App By: KLA	Detail No. 16
	Old By: MDOB	Date: 12-28-00	



DUCKETT CREEK SANITARY DISTRICT

MANHOLE STEP PRECAST MANHOLE	Dim By: BSM	App By: KLA	Detail No. 18
	Old By: MDOB	Date: 1-3-01	

LAYOUTS: SANITARY 10.2
DATE: Apr 26, 2008 - 11:07am
DRAWING: S:\085\Sub2007\07-0078\07-0078.dwg IMPROVEMENT PLANS\0_Plan_C10.0_DETAILS_07-075.dwg

PLANNING AND DEVELOPMENT DEPARTMENT FILE #9831.57 (AREA PLAN-APPROVED MAY 24TH, ORDINANCE #5178) - 9831.57.01 (FINAL PLAN)

DESIGNED BY: CJB
DRAWN BY: KDK
CHECKED BY: JFH
DATE: 11/6/07
Job Number: 07-075
Sheet Number: C10.2

DEVELOPER/OWNER: THE VILLAGE AT PARK PLACE, LLC.
1001 BOARDWALK SPRINGS PL
OFALLON, MO 63366
PHONE: (636) 561-9323

DESIGNER: CITY OF OFALLON/PERS. #/2008 COMMENTS
03/13/2008 CITY OF OFALLON/PERS. #/2008 COMMENTS
03/17/2008 CITY OF OFALLON/PERS. #/2008 COMMENTS
04/17/2008 CITY OF OFALLON/PERS. #/2008 COMMENTS

PROFESSIONAL ENGINEER AND ARCHITECT
MATHIEW B. WATSON
REGISTERED PROFESSIONAL ENGINEER
NO. 000000000
RE-EXPIRES 12/31/2010
OFFICE: 1122 N. HIGHWAY 112
OFALLON, MO 63366
PHONE: (636) 561-9323

THE PROFESSIONAL ENGINEER AND ARCHITECT ASSUMES RESPONSIBILITY ONLY FOR WHAT APPEARS ON THIS PAGE AND DOES NOT ASSUME RESPONSIBILITY FOR THE ACCURACY OF THE INFORMATION PROVIDED BY THE CLIENT. ESTIMATES, REPORTS, OR OTHER DOCUMENTS OR INSTRUMENTS NOT SEALED BY THE UNDERSIGNED PROFESSIONAL RELATING TO, OR INTENDED TO BE USED FOR, ANY PART OR PARTS OF THE PROJECT TO WHICH THIS PAGE REFERS.