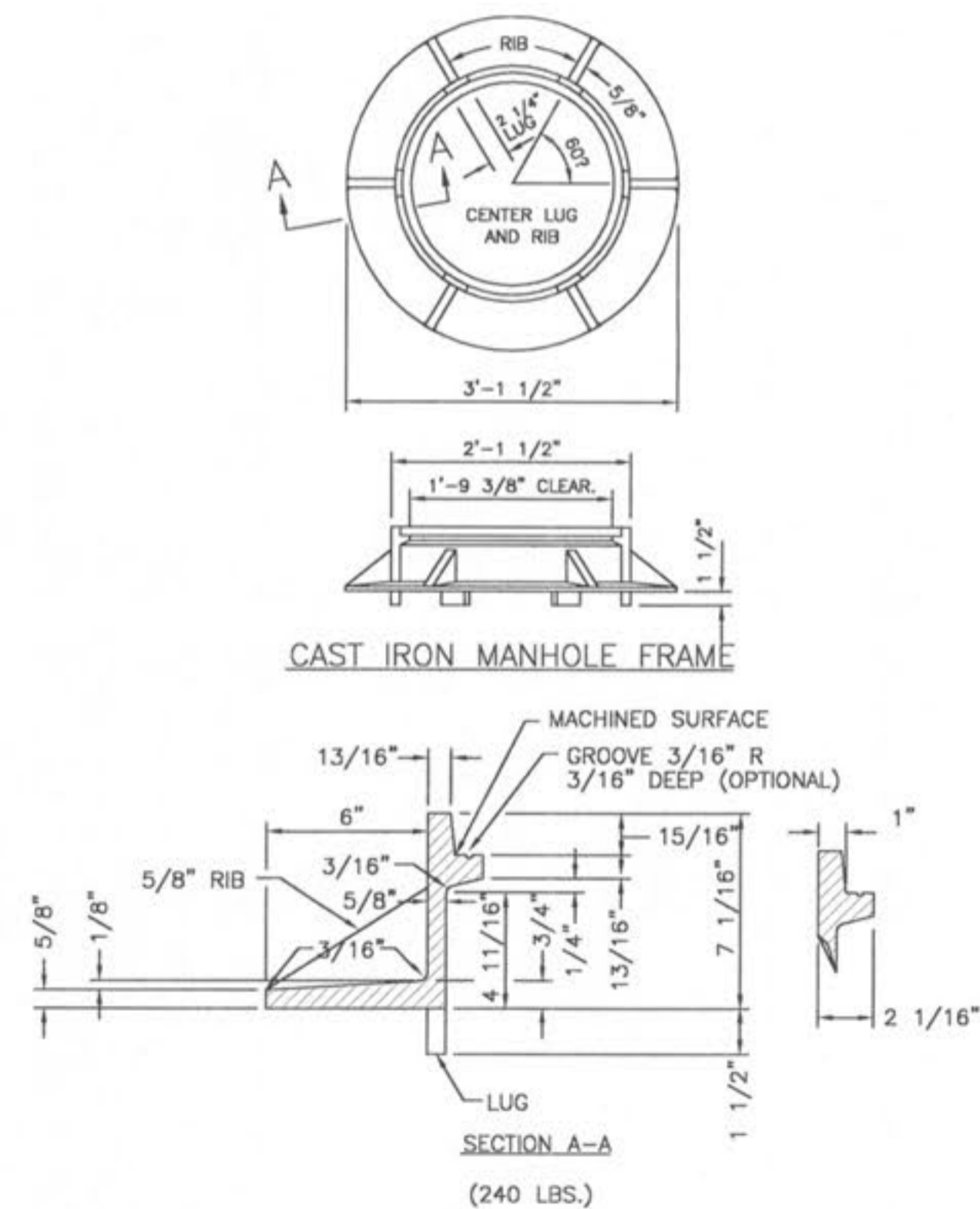
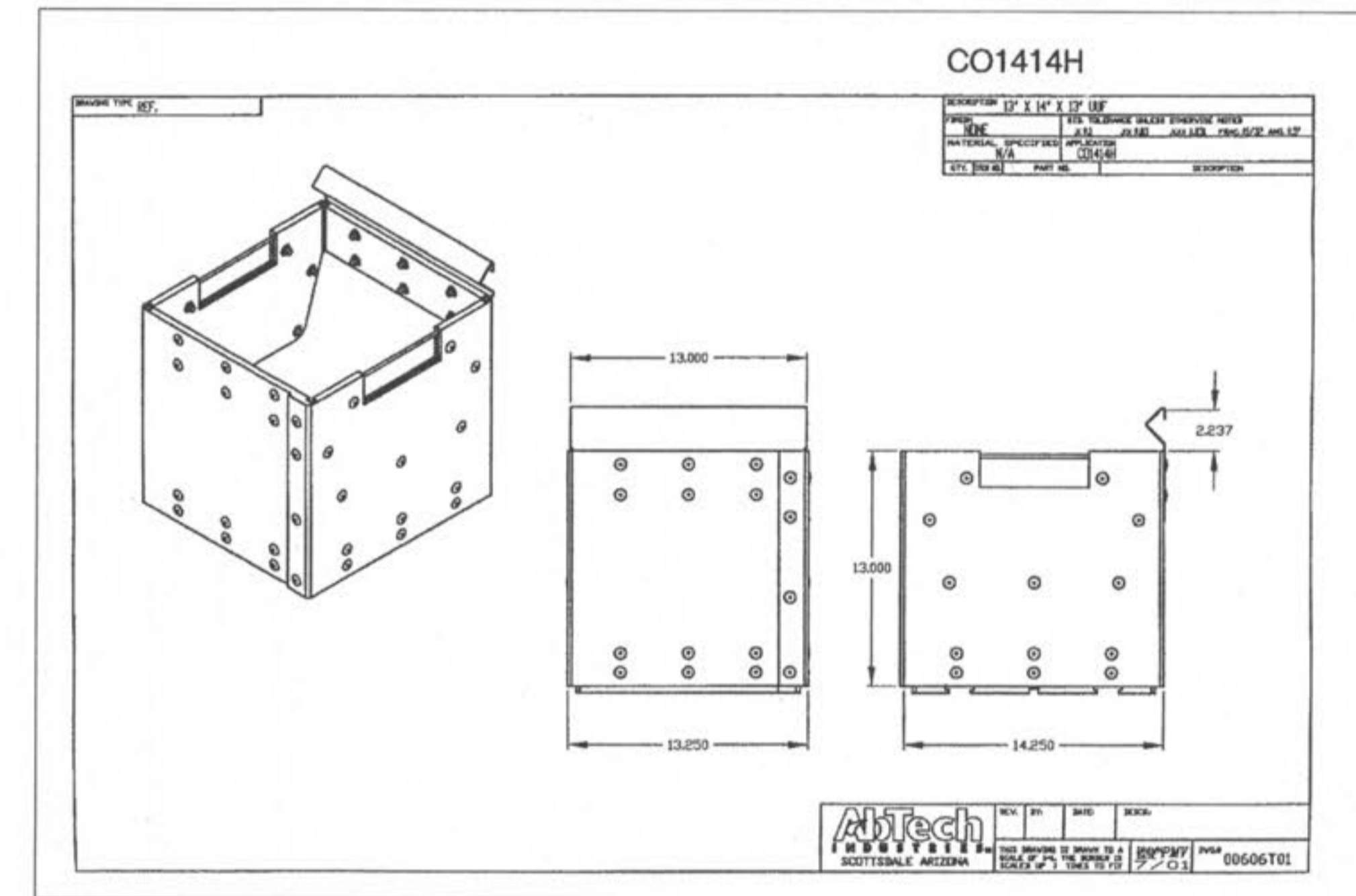
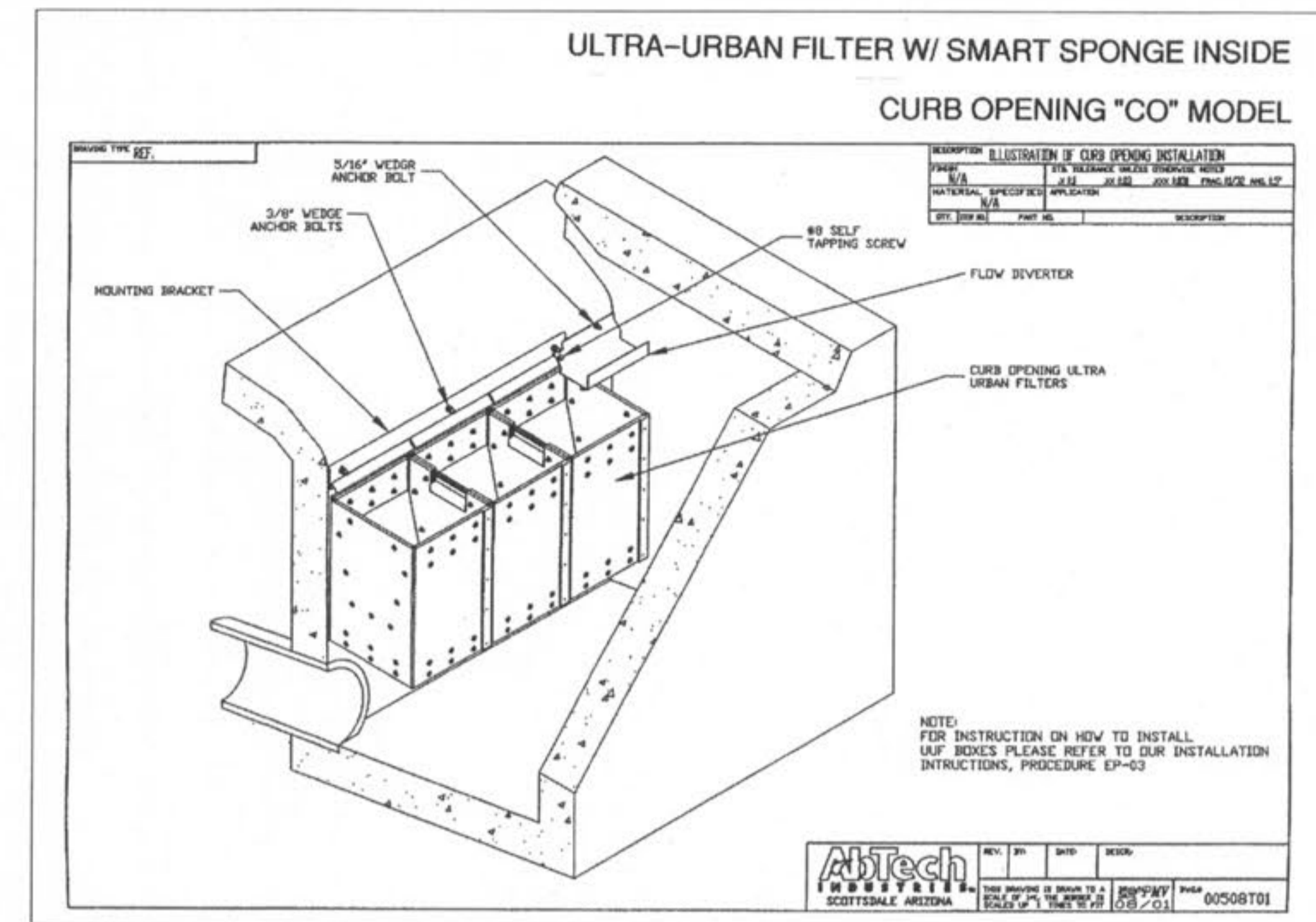
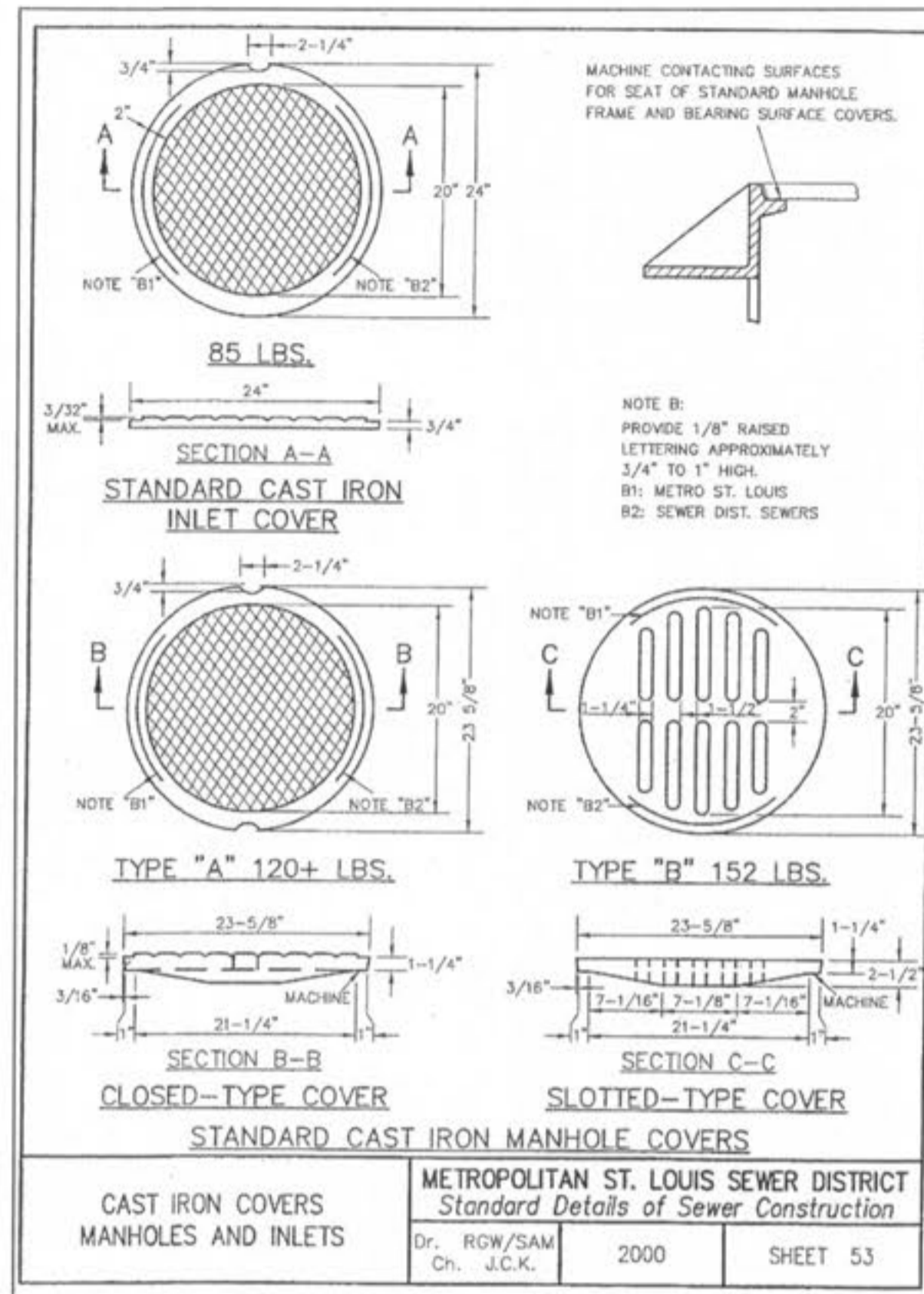
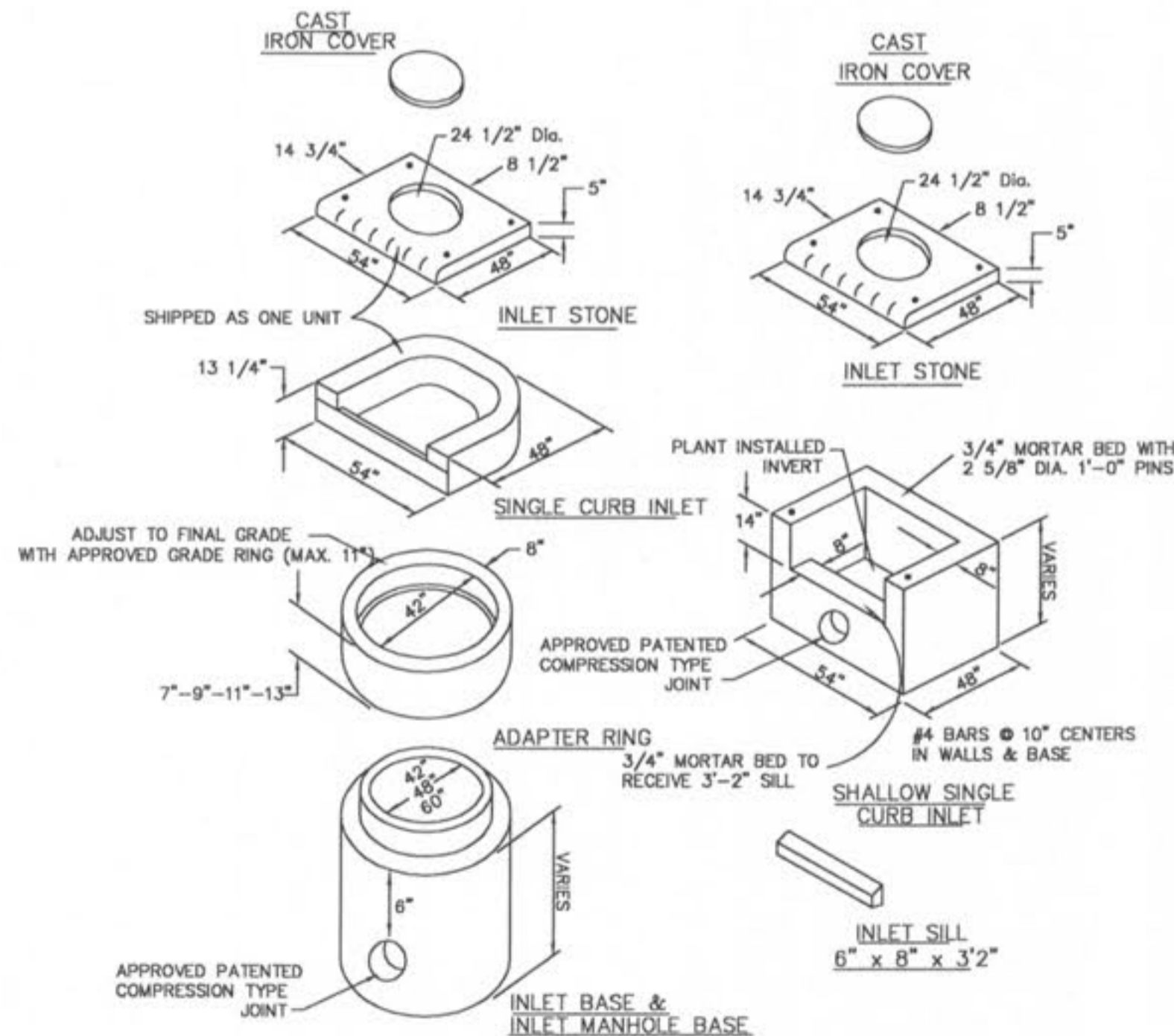


(MODIFIED FOR REINFORCED CONCRETE PIPE)

1 PIPE BEDDING CLASS "C" DETAIL
SCALE: N.T.S.



3 CAST IRON MANHOLE FRAME DETAIL
SCALE: N.T.S.



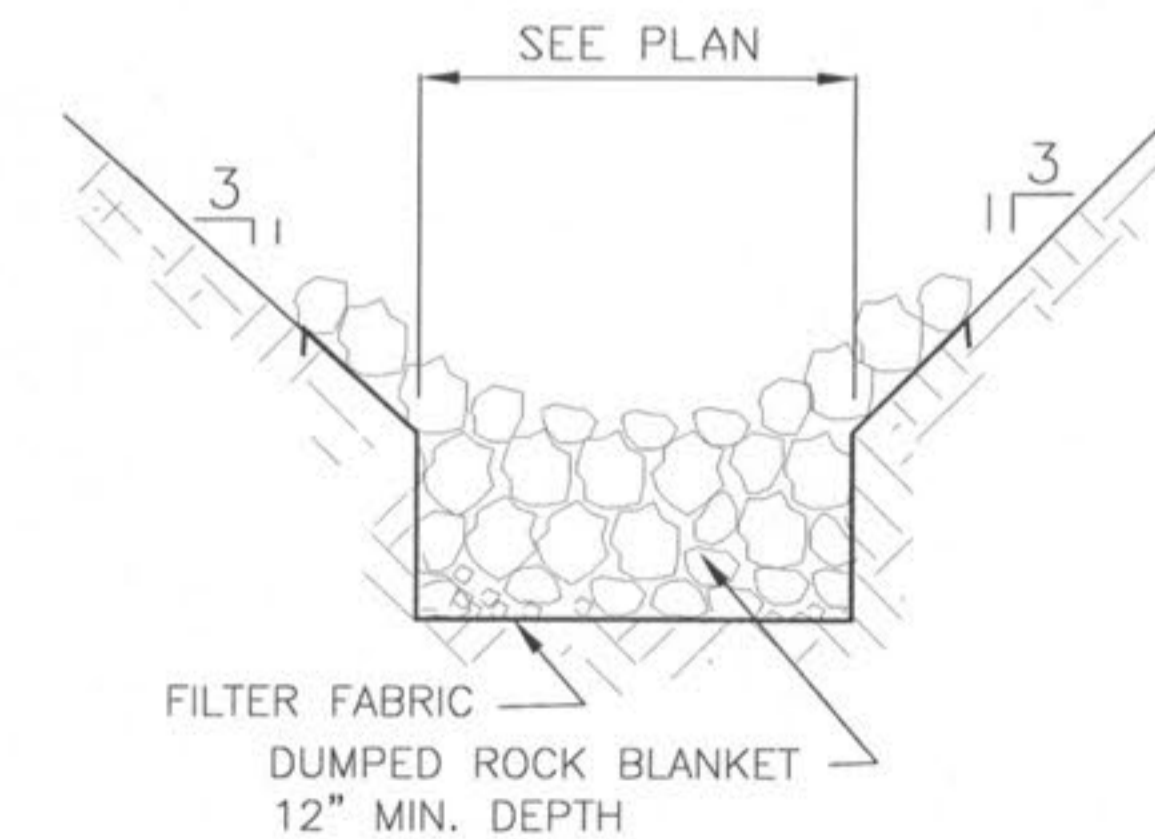
7 SINGLE STREET INLET DETAIL
SCALE: N.T.S. REF. DWG.

PRECAST CONCRETE STORMWATER STRUCTURES

MINIMUM DISTANCE FLOWLINE TO TOP OF STONE OR GRATE

PIPE I.D. NOMINAL INCHES	AREA INLET		(2) GRATE INLET		SINGLE STREET INLET	
	CIRCULAR BASE DIA.	SQUARE	CIRCULAR BASE DIA.	SQUARE	CIRCULAR BASE DIA.	RECTANGLE
12"	45"	36"	42"	31"	48"	41"
15"	48"	41"	48"	34"	51"	44"
18"	52"	44"	52"	37"	55"	48"
21"	55"	47"	55"	40"	58"	51"
24"	58"	51"	58"	44"	61"	54"
27"	62"	54"	62"	47"	64"	57"
30"	65"	57"	65"	50"	67"	60"
33"	68"	60"	68"	53"	70"	63"

- NOTES:
- 48" DIAMETER BASE REQUIRES 7" HIGH TRANSITION SECTION TO 42" DIAMETER, SIMILAR TO "ADAPTER RING" SHEET 35.
 - 60" DIAMETER BASE REQUIRES 24" HIGH CONCENTRIC REDUCER TRANSITION TO 42" DIAMETER, SIMILAR TO "ADAPTER RING" SHEET 35.
 - STANDARD DEPTH = 3' PIPE DIAMETER.



NOTE: DUMPED ROCK BLANKET TO BE A MIN. 12" DIA. QUARRY RUN STONE.

4 ROCK BLANKET DETAIL
SCALE: N.T.S. REF. DWG.

NOTE: BRICK SHALL NOT BE USED IN THE CONSTRUCTION OF STORM SEWER STRUCTURES. PRECAST CONCRETE STRUCTURES ARE TO BE USED UNLESS OTHERWISE APPROVED BY THE CITY.

LAYOUT: STORM 10.6
DATE: Apr 23, 2008 - 11:10am
DRAWING: S:\085\0852007\07-0775\07-0775\07-0775\07-0775\07-0775.dwg

PLANNING AND DEVELOPMENT DEPARTMENT FILE #8831.57 (AREA PLAN-APPROVED MAY 24TH, ORDINANCE #8178) - 8831.57.01 (FINAL PLAN)

planning • engineering • surveying • landscape architecture
Cole and ASSOCIATES
INCORPORATED
10777 sunset office drive
sunset missouri 64157
p: 314 984 9887 f: 314 984 0587

DESIGNED BY: CJB
DRAWN BY: KDK
CHECKED BY: JFH
DATE: 11/6/07
Job Number: 07-075
Sheet Number: C10.6

DEVELOPER/OWNER: THE VILLAGE AT PARK PLACE, LLC, 1007 BOARDWALK SPRINGS PL OFALLON, MO 63366 PHONE: (636) 561-9923

SEAL: MATTHEW R. HARRIS, PROFESSIONAL SURVEYOR, MISSOURI, No. 200703899

REVISIONS:

DATE	BY	DESCRIPTION
02/13/2008	AB	ISSUE FOR PERMITS
03/14/2008	AB	ISSUE FOR PERMITS
04/17/2008	AB	ISSUE FOR PERMITS
05/17/2008	AB	ISSUE FOR PERMITS