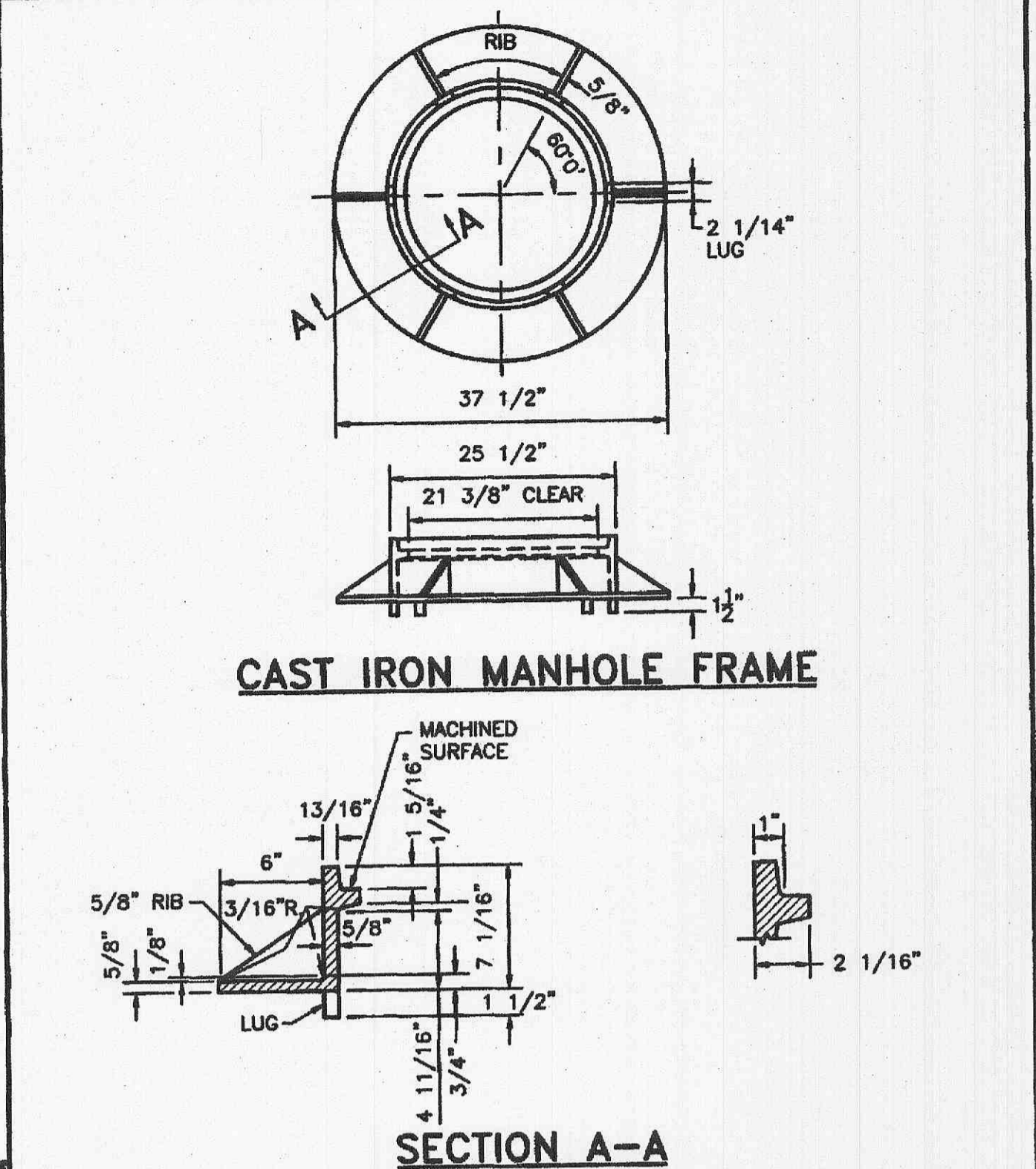


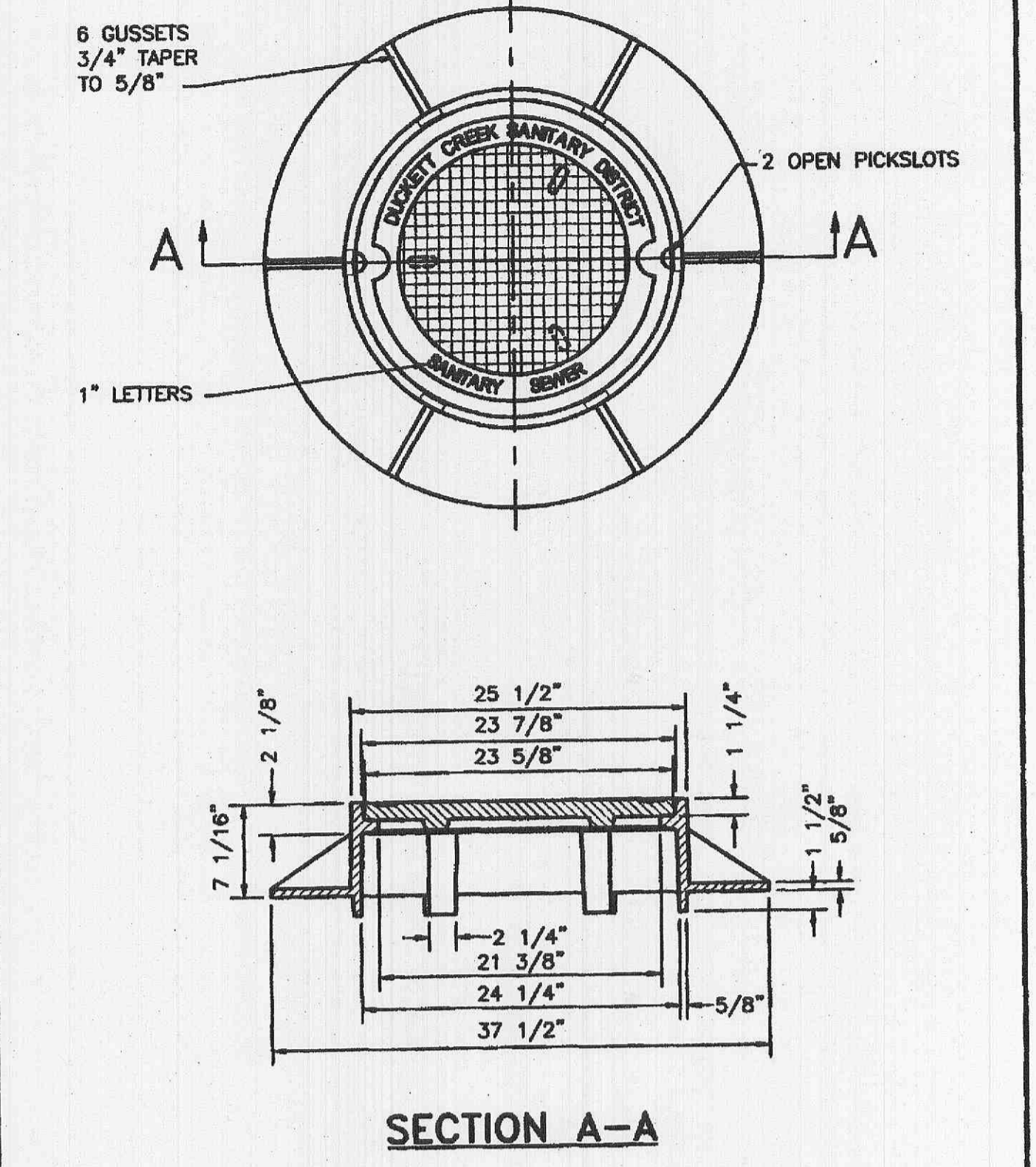
DUCKETT CREEK SANITARY DISTRICT

INSIDE DROP MANHOLE	Dim. By: BSM Ctd. By: MDOB	App. By: KLA Date: 01-10-00	Detail No. 10
---------------------	-------------------------------	--------------------------------	----------------------



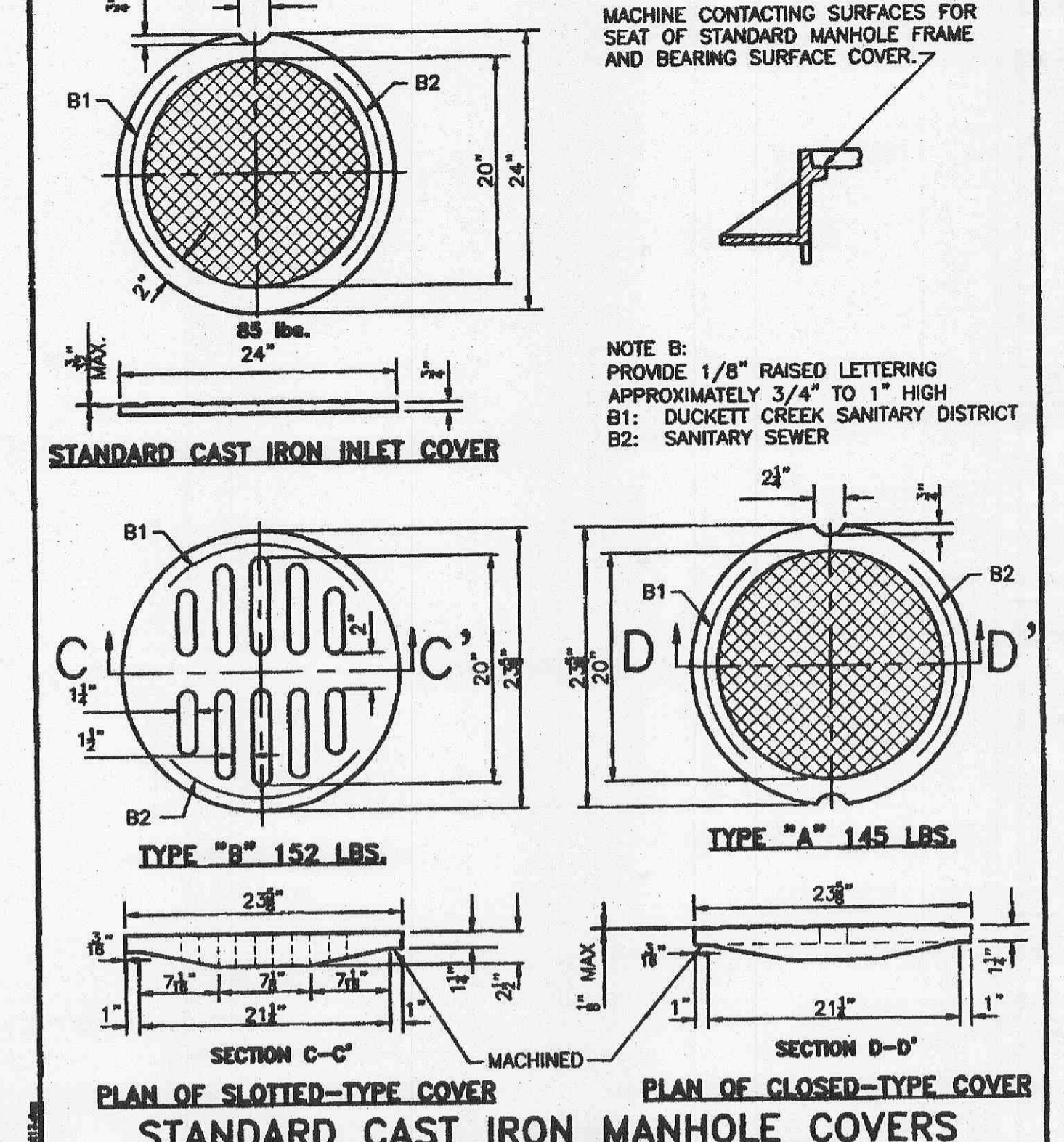
DUCKETT CREEK SANITARY DISTRICT

CAST IRON MANHOLE FRAME	Dim. By: BSM Ctd. By: MDOB	App. By: KLA Date: 01-14-00	Detail No. 11
-------------------------	-------------------------------	--------------------------------	----------------------



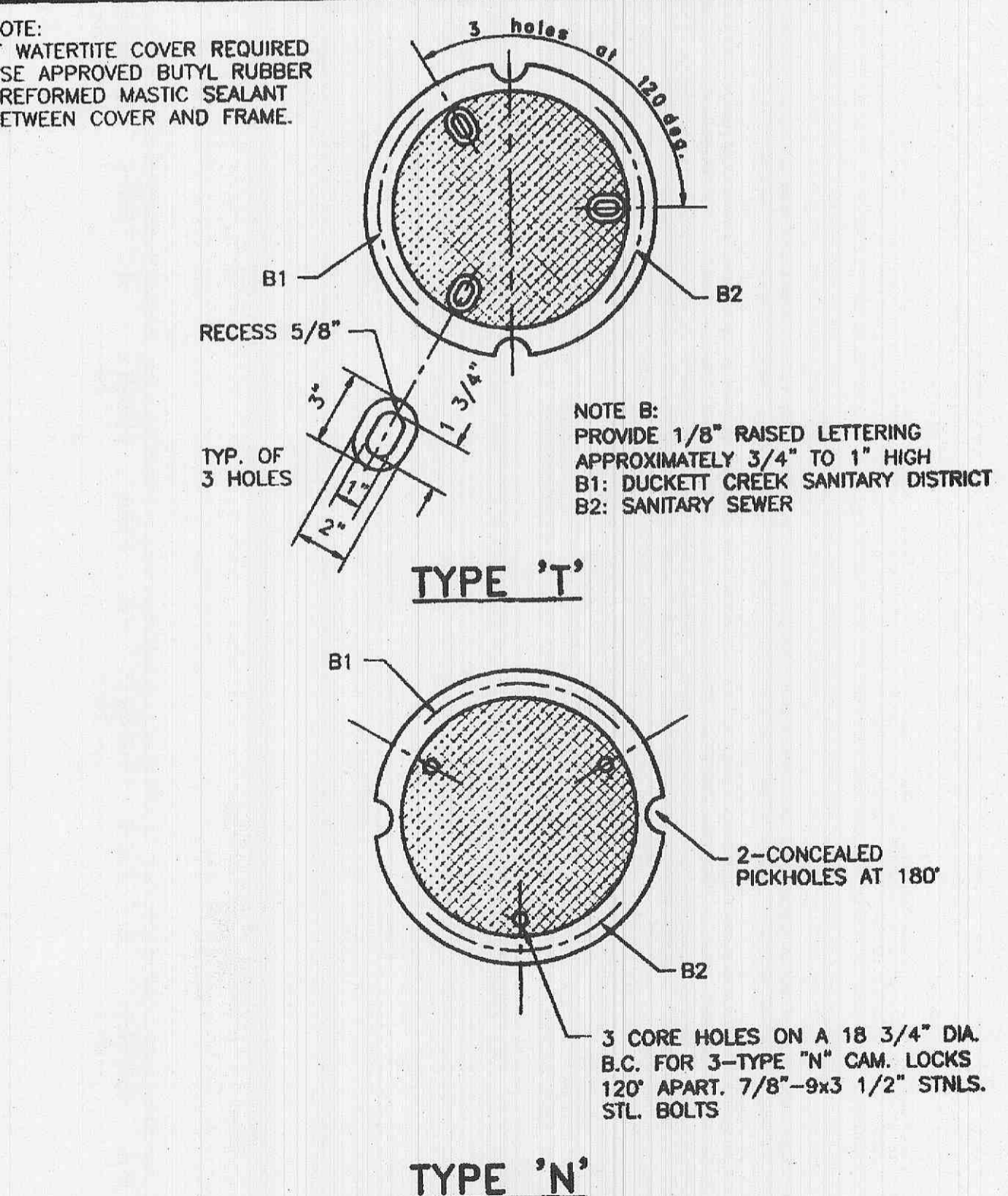
DUCKETT CREEK SANITARY DISTRICT

MANHOLE FRAME AND COVER	Dim. By: BSM Ctd. By: MDOB	App. By: KLA Date: 01-14-00	Detail No. 12
-------------------------	-------------------------------	--------------------------------	----------------------



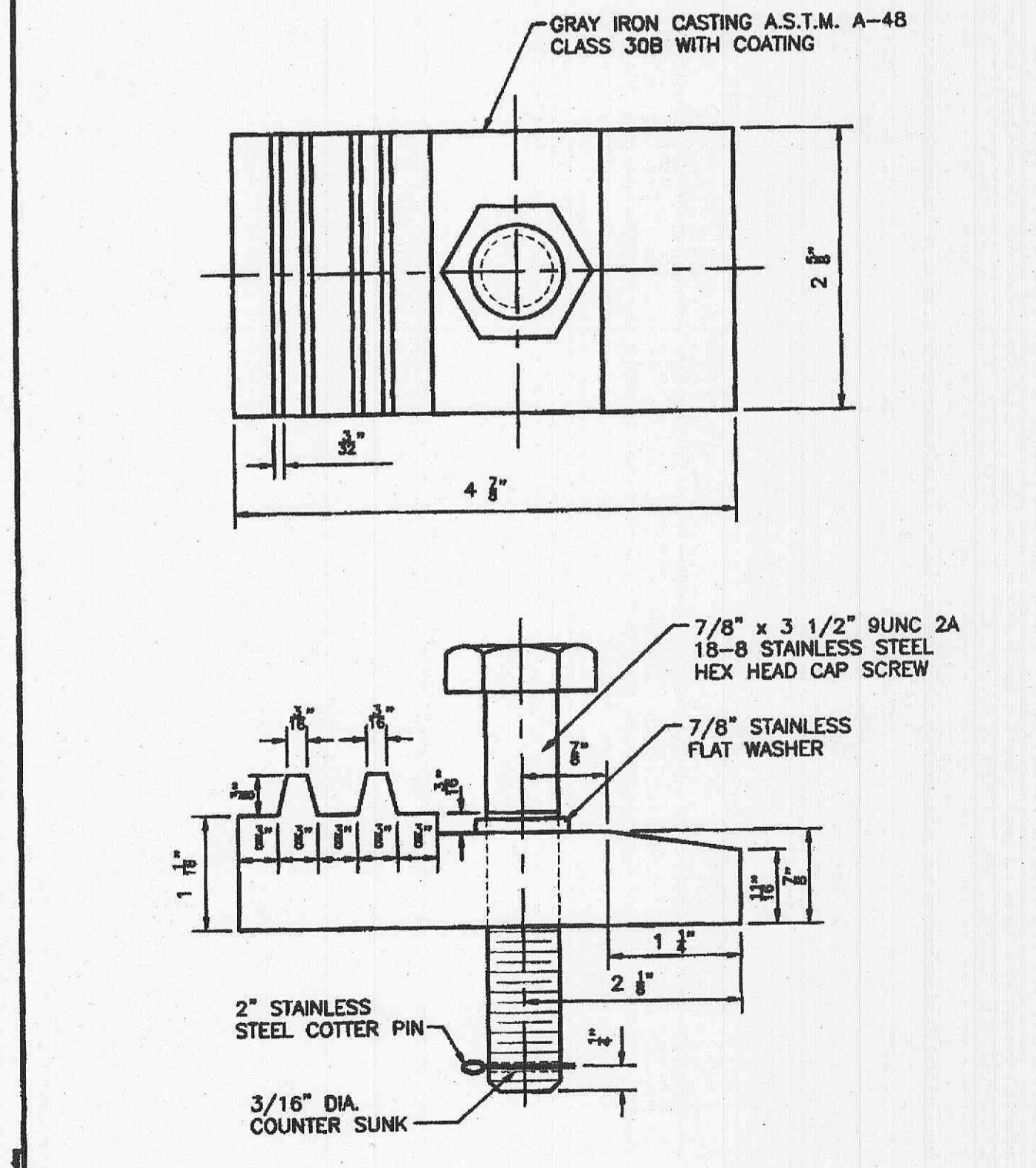
DUCKETT CREEK SANITARY DISTRICT

CAST IRON COVERS MANHOLES AND INLETS	Dim. By: BSM Ctd. By: MDOB	App. By: KLA Date: 12-22-00	Detail No. 13
--------------------------------------	-------------------------------	--------------------------------	----------------------



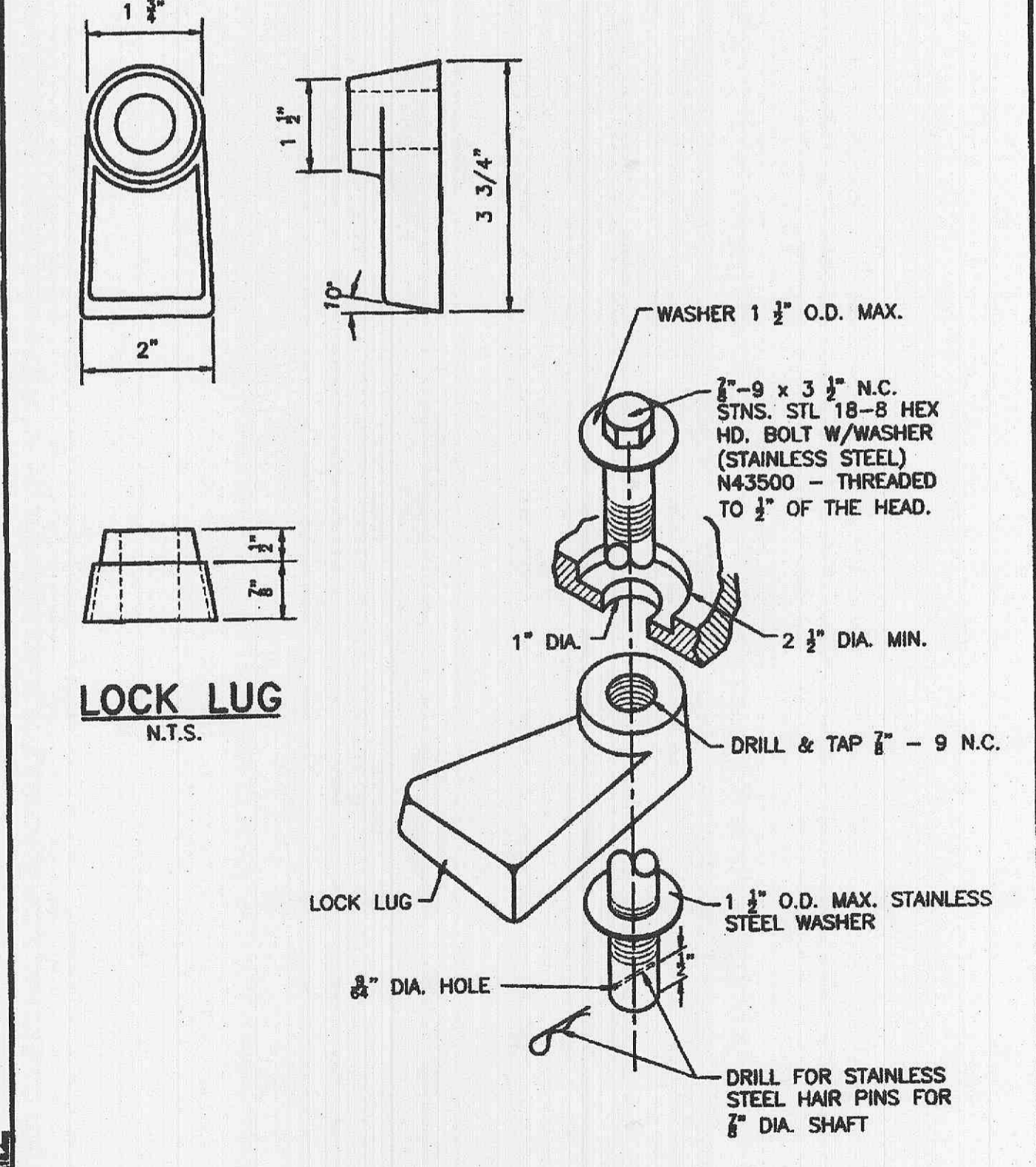
DUCKETT CREEK SANITARY DISTRICT

CAST IRON MANHOLE COVERS (LOCK TYPE)	Dim. By: BSM Ctd. By: MDOB	App. By: KLA Date: 12-27-00	Detail No. 14
--------------------------------------	-------------------------------	--------------------------------	----------------------



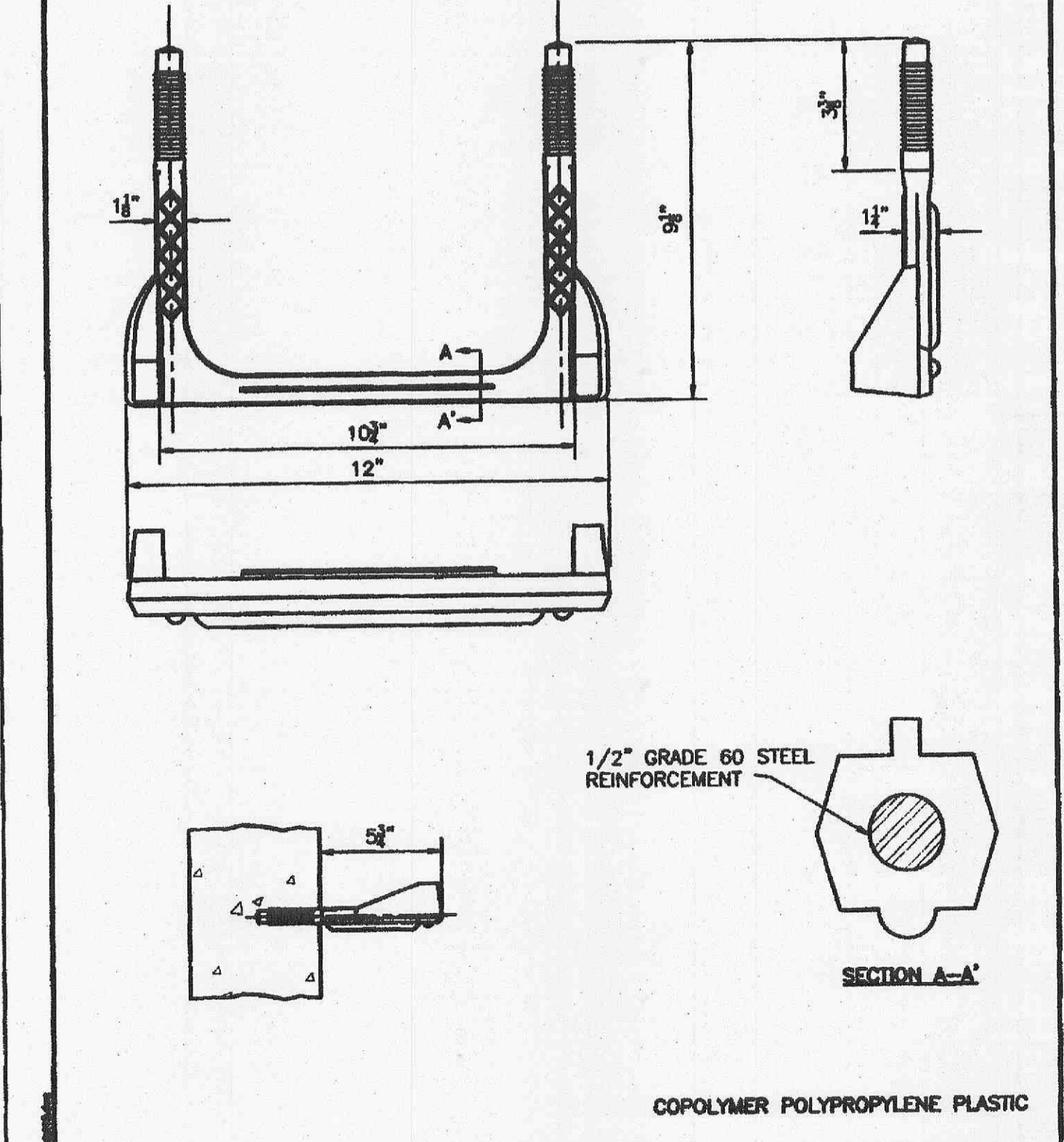
DUCKETT CREEK SANITARY DISTRICT

LOCKING DEVICE FOR TYPE "N" LOCK TYPE MANHOLE COVER	Dim. By: BSM Ctd. By: MDOB	App. By: KLA Date: 12-27-00	Detail No. 15
---	-------------------------------	--------------------------------	----------------------



DUCKETT CREEK SANITARY DISTRICT

LOCKING DEVICE FOR TYPE "N" LOCK TYPE MANHOLE COVER	Dim. By: BSM Ctd. By: MDOB	App. By: KLA Date: 12-28-00	Detail No. 16
---	-------------------------------	--------------------------------	----------------------



DUCKETT CREEK SANITARY DISTRICT

MANHOLE STEP PRECAST MANHOLE	Dim. By: BSM Ctd. By: MDOB	App. By: KLA Date: 1-3-01	Detail No. 18
------------------------------	-------------------------------	------------------------------	----------------------

LAND: SANITARY: 10.2
DATE: Apr 25, 2008 - 11:07am
DRAWING: S:\Jobs\08-007\07-0075\07-0075\Imprv\Improvement Plans\0100-DETAILS_07-075.dwg

REVISIONS

NO.	DESCRIPTION	DATE

DEVELOPER/OWNER:
THE VILLAGE AT PARK PLACE, LLC.
 1001 BOARDWALK SPRINGS PL.
 OFALLON, MO 63366
 PHONE: (636) 567-9323

DESIGNED BY:
CJB

DRAWN BY:
KDK

CHECKED BY:
JFH

DATE:
11/6/07

Job Number:
07-075

Sheet Number:
C10.2

PLANNING AND DEVELOPMENT DEPARTMENT FILE #983157 (AREA PLAN-APPROVED MAY 24TH, ORDINANCE #5178) - 9831.57.01 (FINAL PLAN)

PARK AVENUE VILLAGE IMPROVEMENT PLANS

PHOENIX PARKWAY
OFALLON, MO

Cole
and ASSOCIATES
INCORPORATED

10777 sunset office drive
saint louis, missouri 63127
p. 314 984 9887 f. 314 984 0587

SANITARY SEWER DETAILS