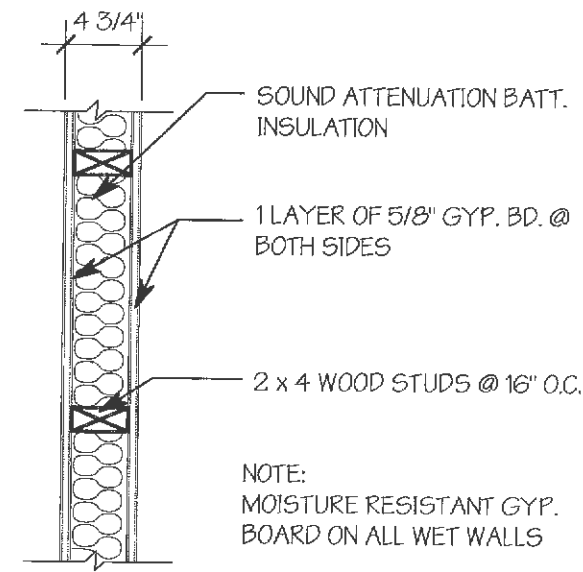


INTERIOR WALL

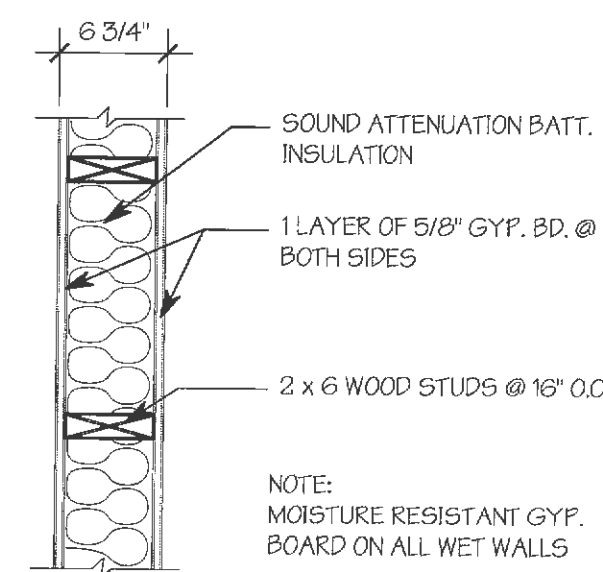


P1 INTERIOR 2X4 WD. PART.

INTERIOR 2X4 WD. PART.
P1A NON INSULATED

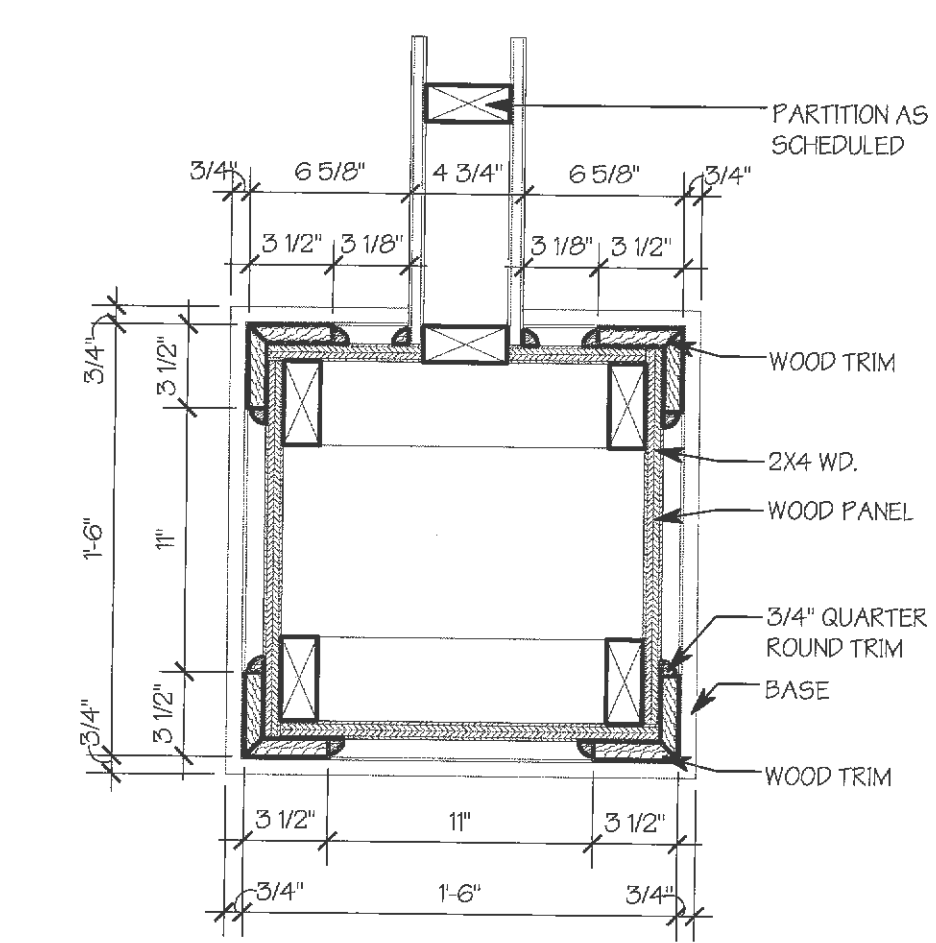
GYP. BD. ONE SIDE
P1B SAME AS P1A

INTERIOR WALL

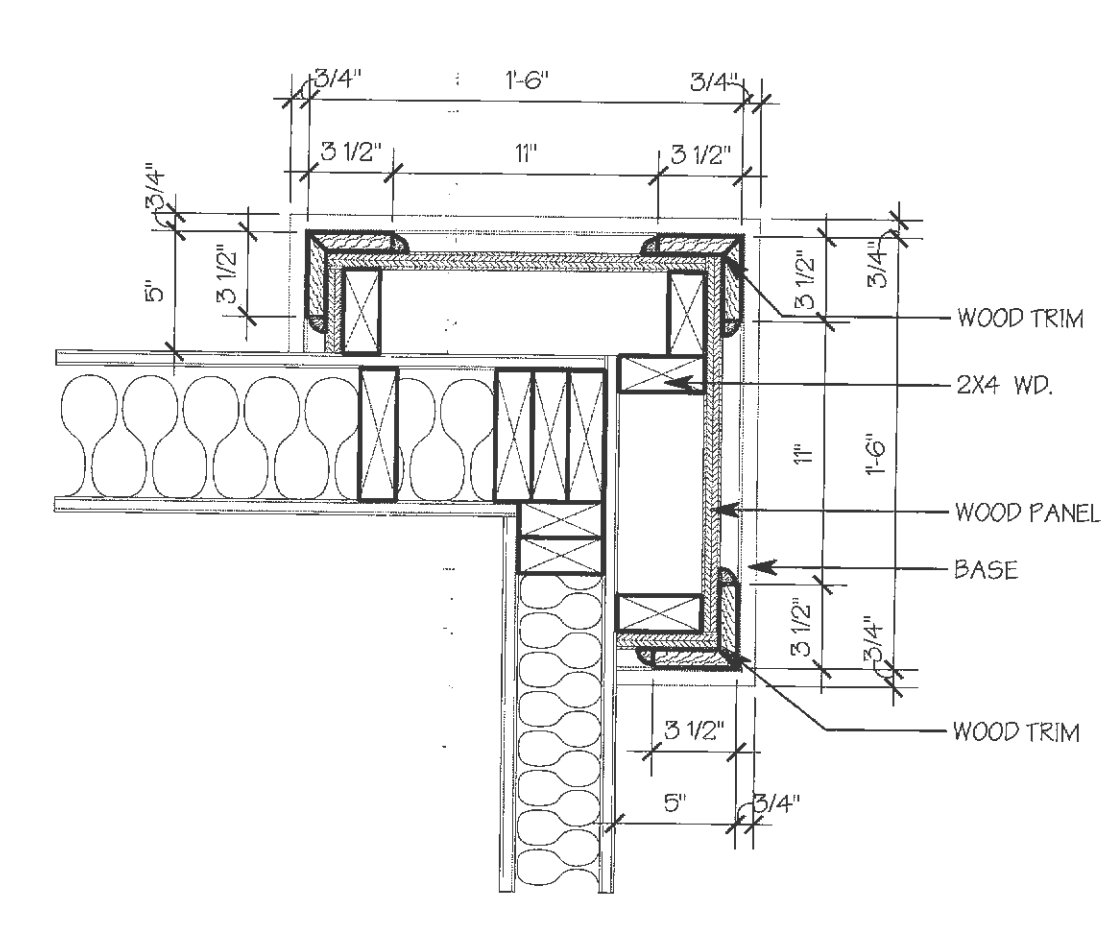


P2 INTERIOR 2X6 WD. PART.

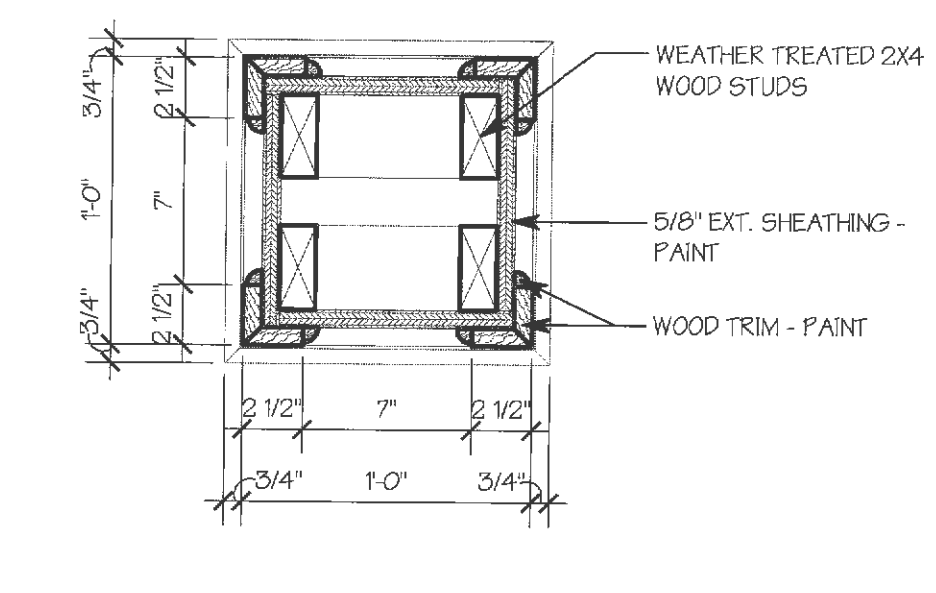
3 TYP. COLUMN PLAN DETAIL
A2.1 SCALE: 1 1/2" = 1'-0"



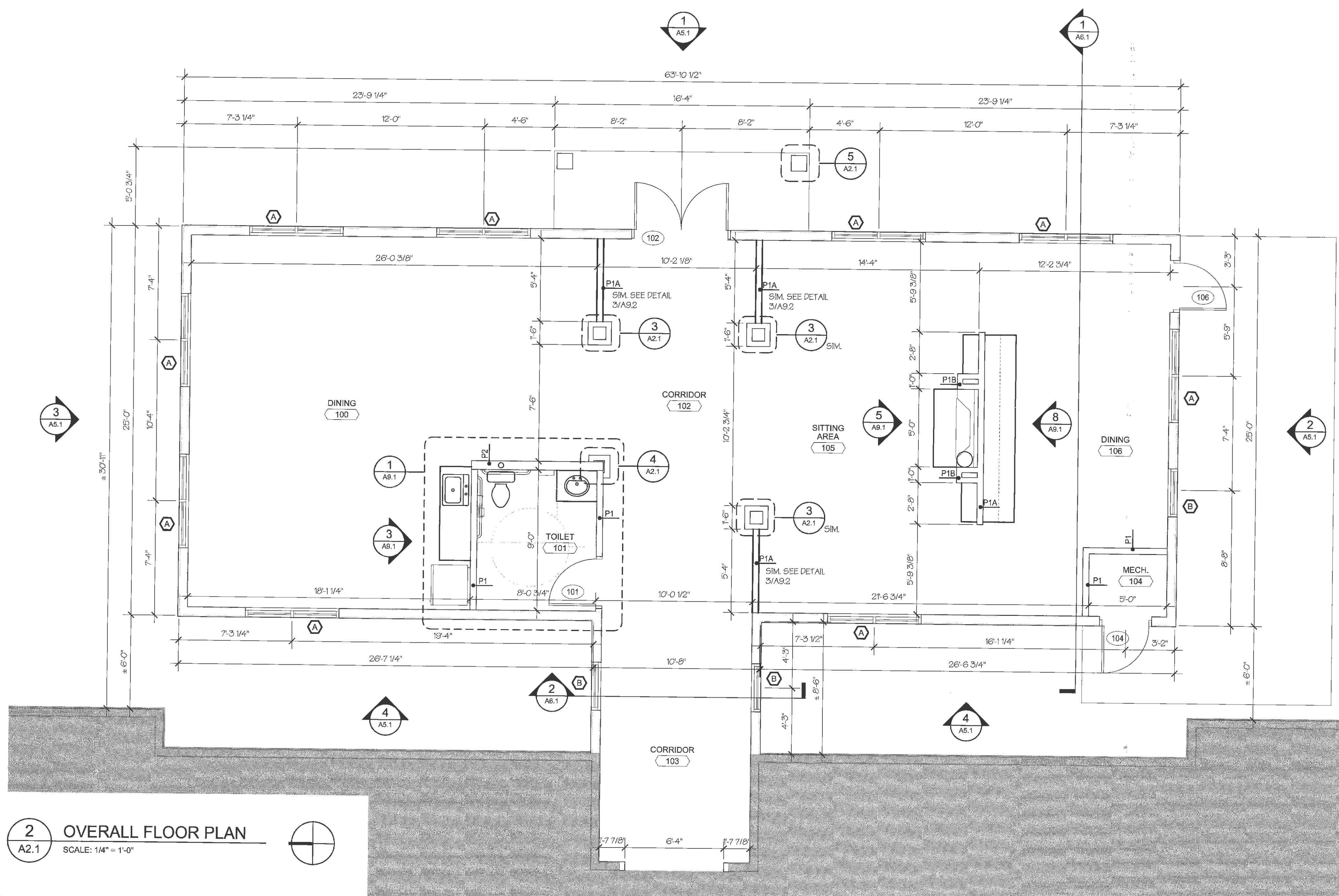
4 COLUMN PLAN DETAIL
A2.1 SCALE: 1 1/2" = 1'-0"



5 COLUMN PLAN DETAIL
A2.1 SCALE: 1 1/2" = 1'-0"



1 PARTITION TYPES
A2.1 SCALE: 1" = 1'-0"



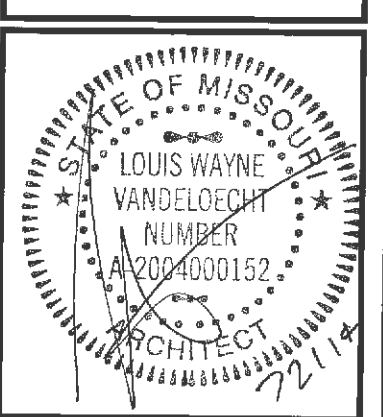
2 OVERALL FLOOR PLAN
A2.1 SCALE: 1/4" = 1'-0"

CONSULTING ENGINEERS
ELECTRICAL: TBD
FIRE PROTECTION: TBD
STRUCTURAL: KREFF CONSULTING ENGINEERS
1800 DEER PERE ROAD, SUITE 100
ST. LOUIS, MO. 63131
PH: 636.552.5254
MECHANICAL: TBD
WWW.KREFFCONSULTING.COM

CONTRACTOR
ARCO
CONSTRUCTION
THE DESIGN BUILD PEOPLE
900 NORTH ROCK HILL ROAD
ST. LOUIS, MISSOURI 63119
PH: 636.999.0100 | FX: 636.999.9101
WWW.ARCONATIONAL.COM

ARCHITECT
GMA
ARCHITECTS, P.C.
800 NORTH ROCK HILL ROAD
ST. LOUIS, MISSOURI 63119
PH: 636.466.0714 | FX: 636.466.0714
WWW.GMA-ARCHITECTS.COM

A BUILDING ADDITION FOR:
Park Place
Senior Living at Wing Haven
2002 & 2004 BOARDWALK PLACE DRIVE
OF FALLON, MO 63366



JOB NO.: SJ1408
PA: RJR
PERMIT SET: 07-21-14

REVISIONS	DATE

SHEET NUMBER
A2.1
FIRST FLOOR PLAN