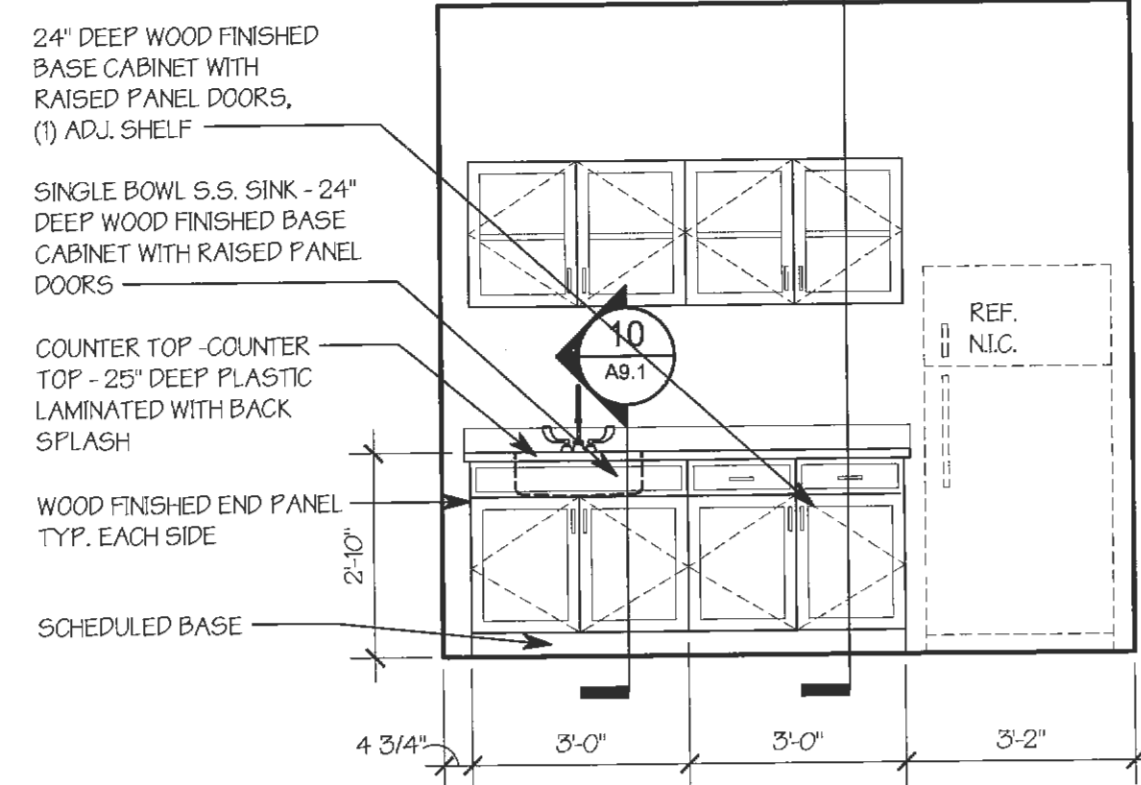
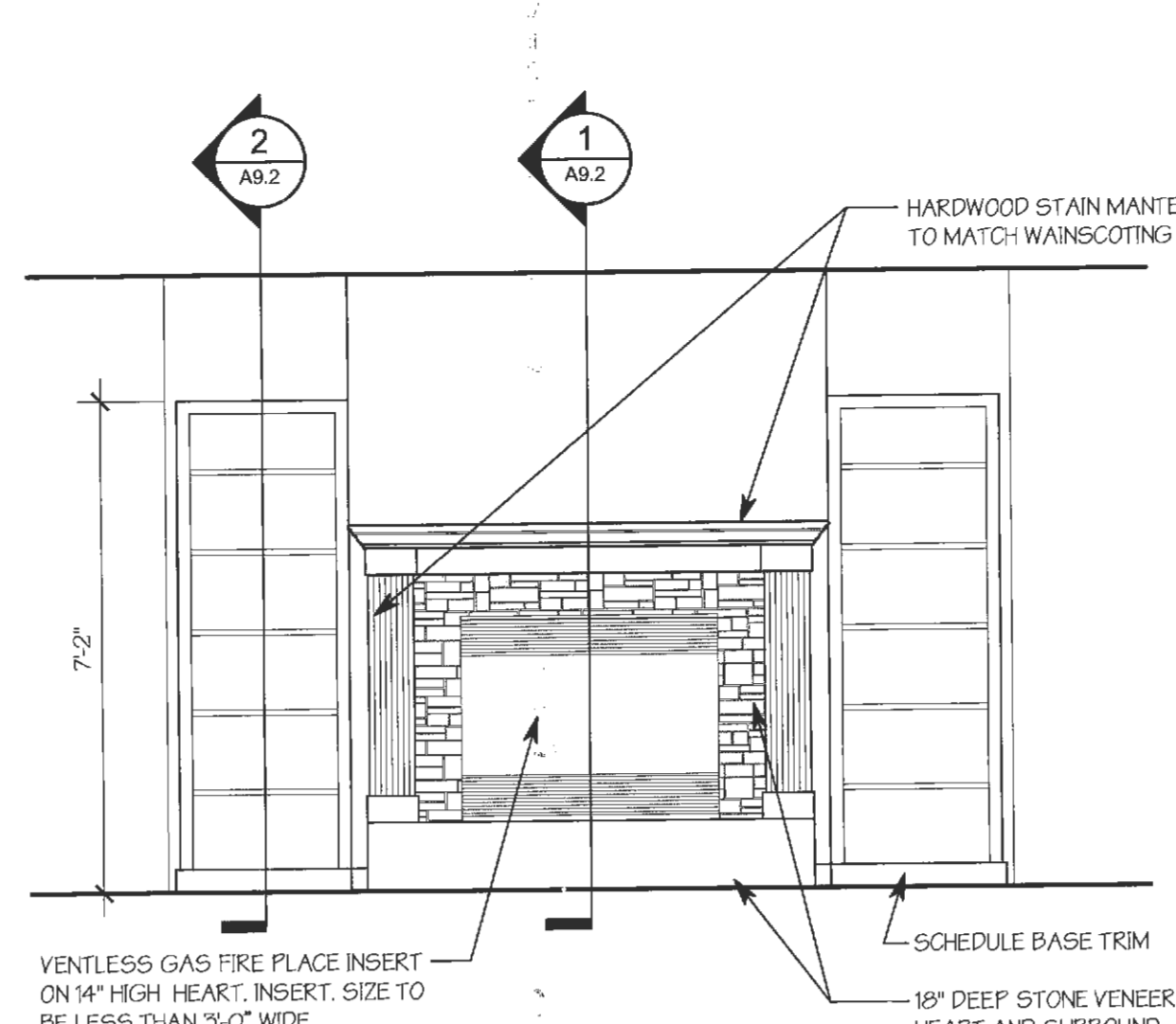


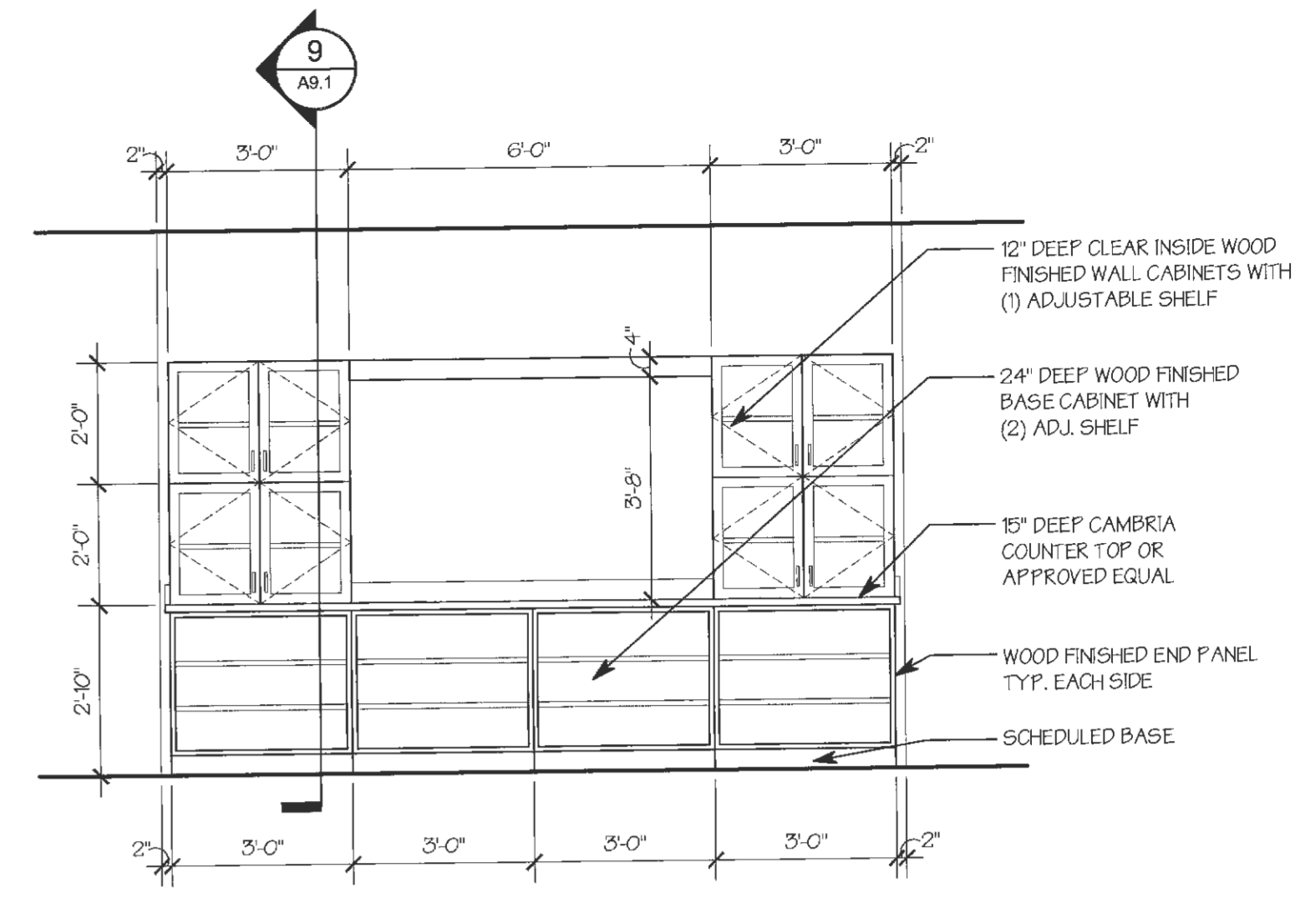
**1 ENLARGED TOILET PLAN**  
A9.1 SCALE: 3/8" = 1'-0"



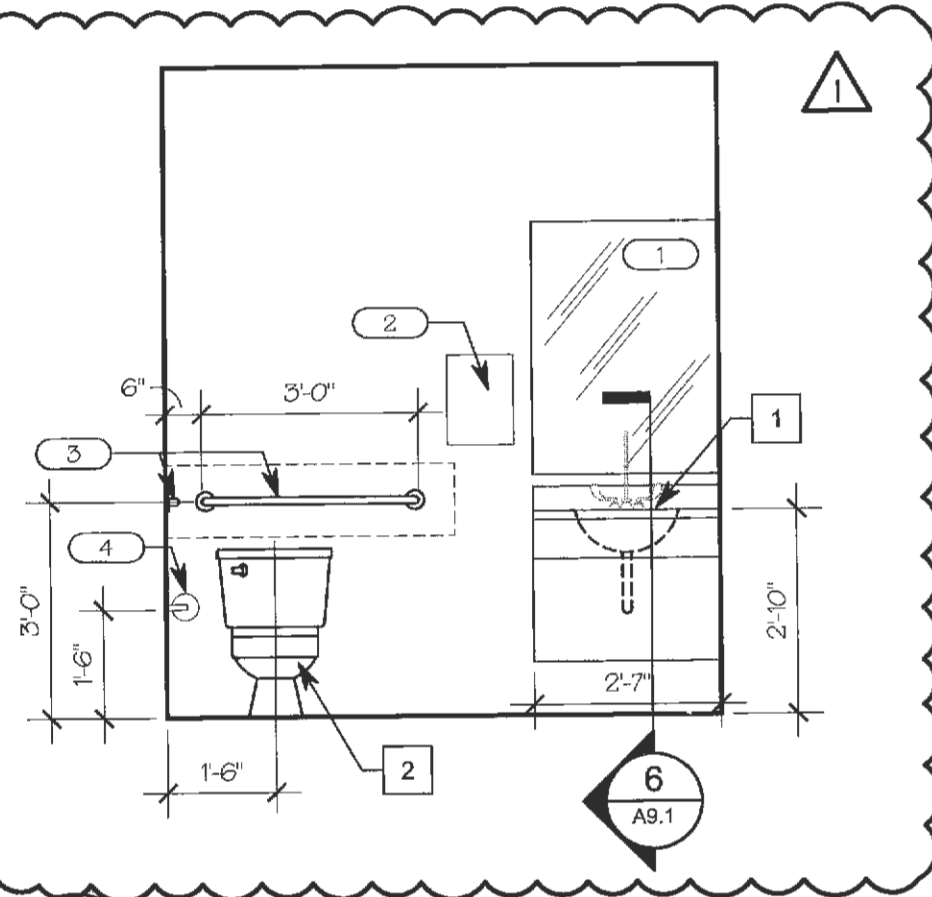
**3 DINING 100 ELEVATION**  
A9.1 SCALE: 3/8" = 1'-0"



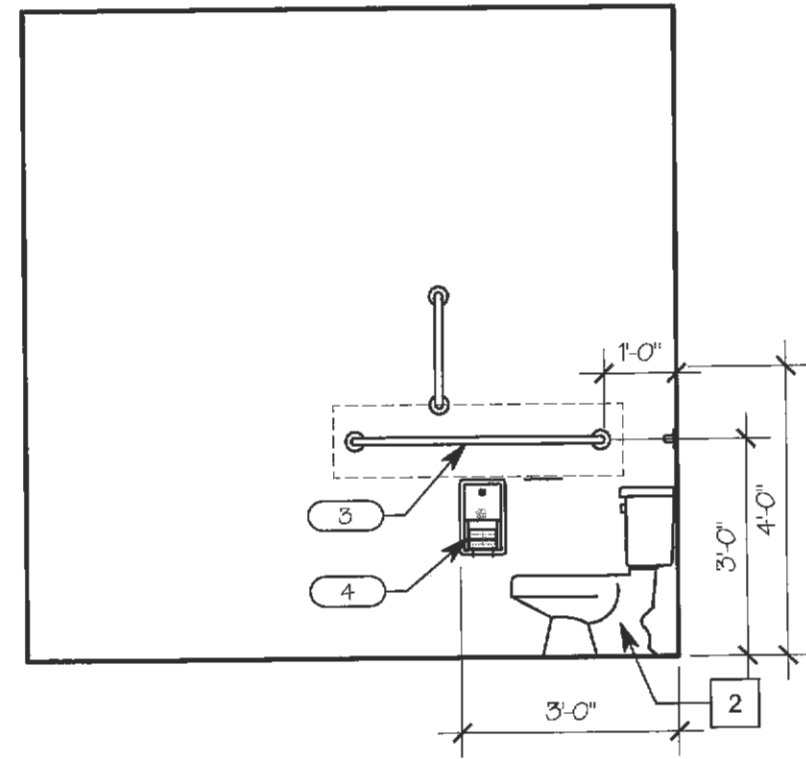
**5 DINING 100 ELEVATION**  
A9.1 SCALE: 3/8" = 1'-0"



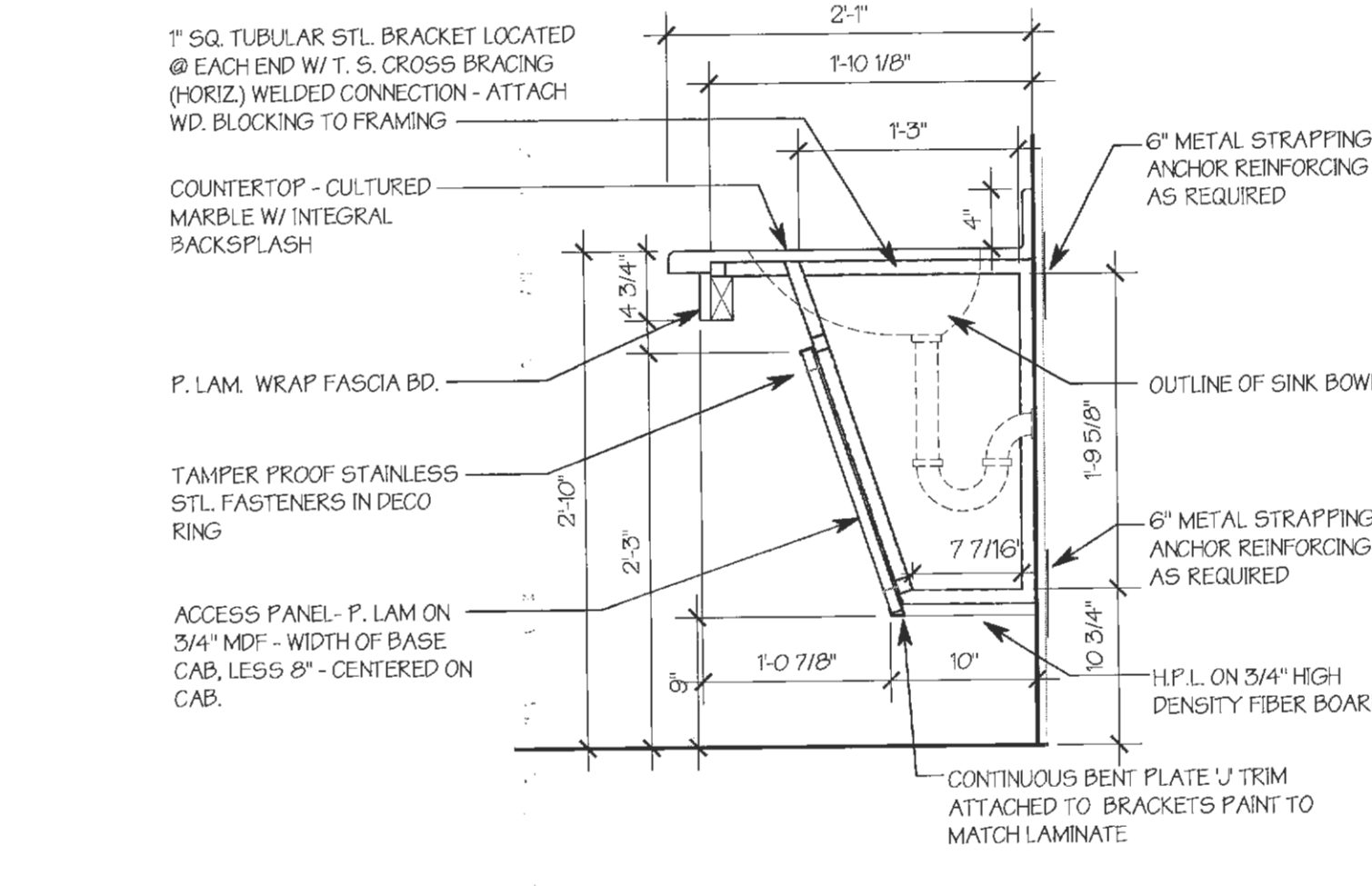
**8 DINING 100 ELEVATION**  
A9.1 SCALE: 3/8" = 1'-0"



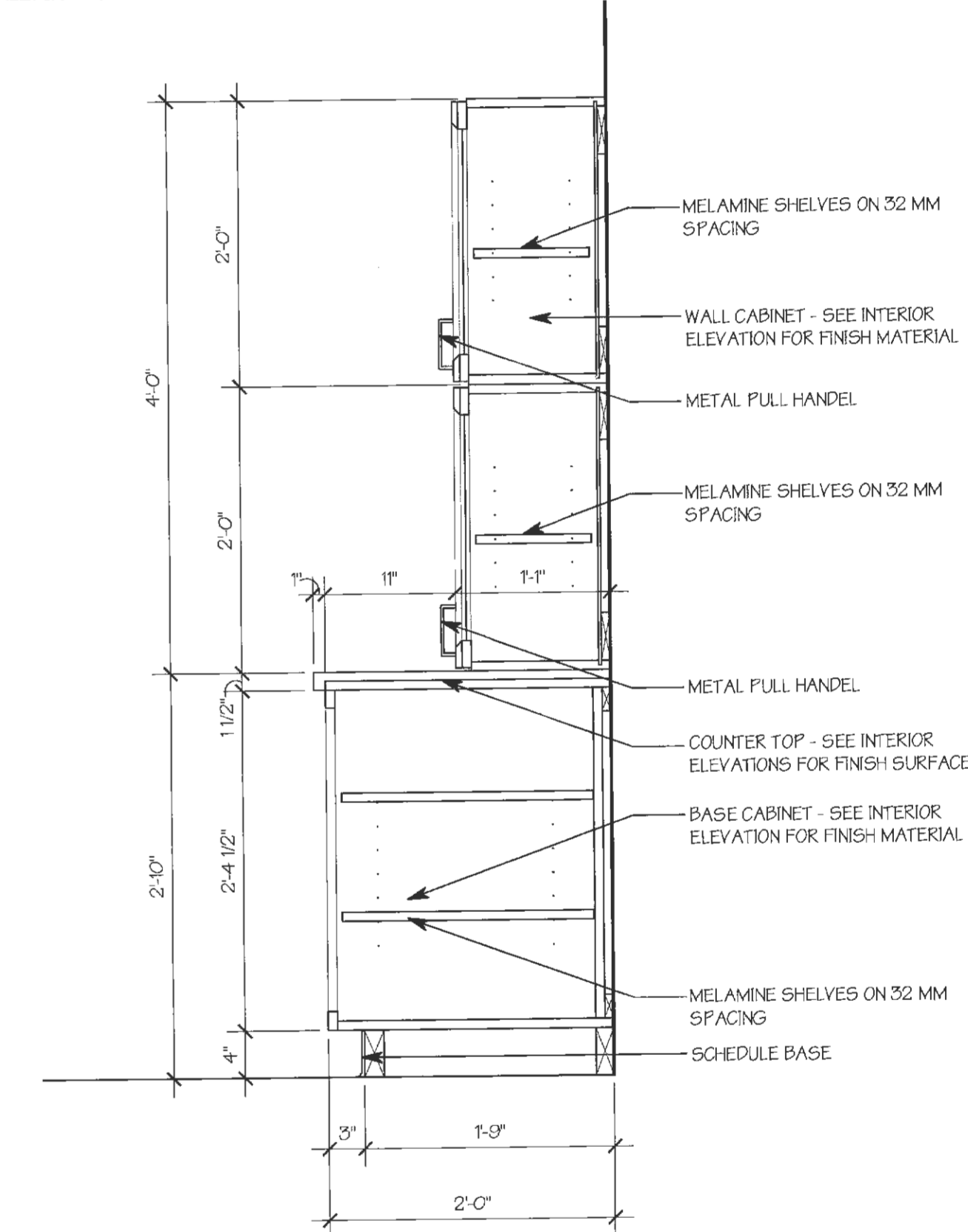
**2 TOILET 101 ELEVATION**  
A9.1 SCALE: 3/8" = 1'-0"



**4 TOILET 101 ELEVATION**  
A9.1 SCALE: 3/8" = 1'-0"



**6 LAV. BASE CABINET SECTION**  
A9.1 SCALE: 1" = 1'-0"



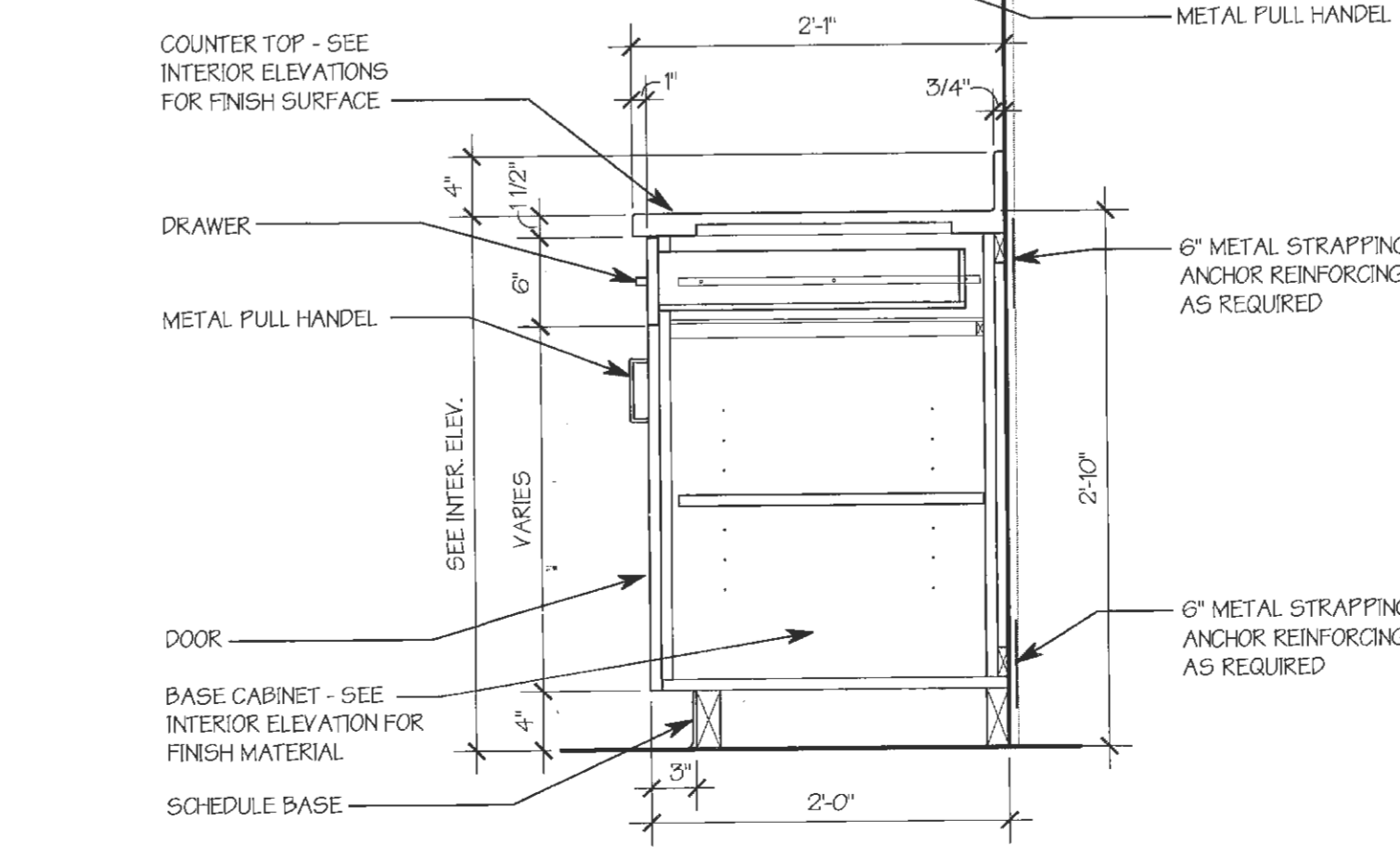
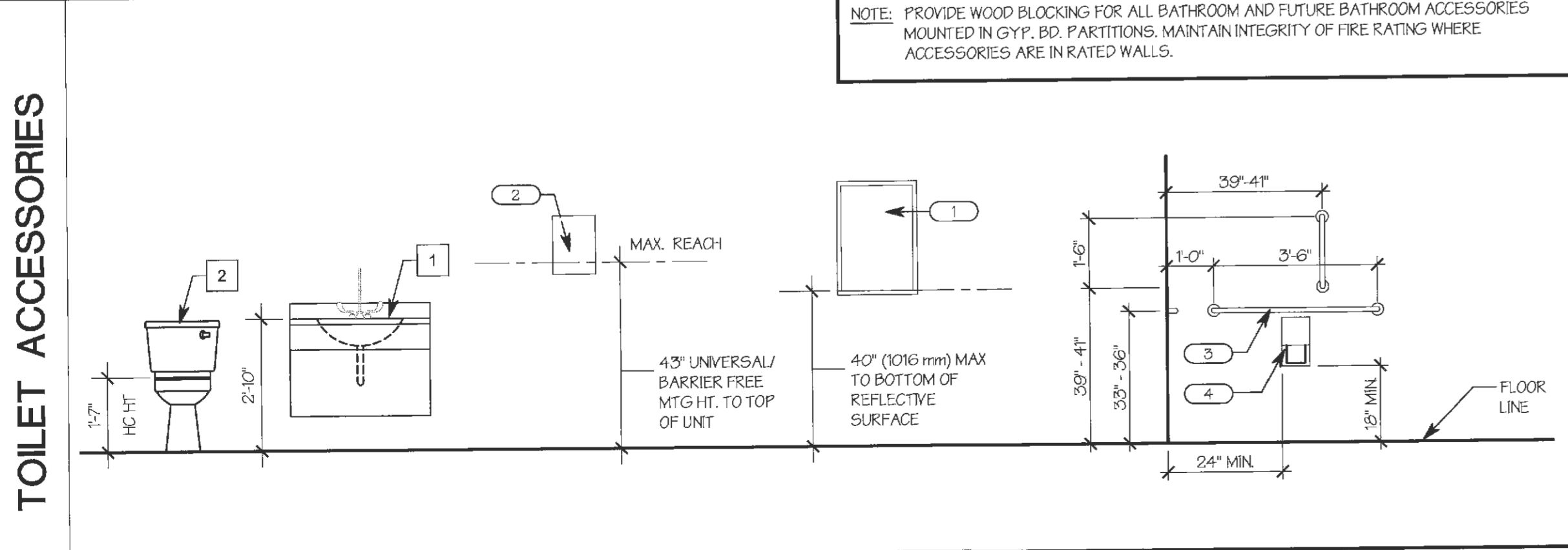
**9 WALL CABINET SECTION**  
A9.1 SCALE: 1" = 1'-0"

**KEYNOTES**

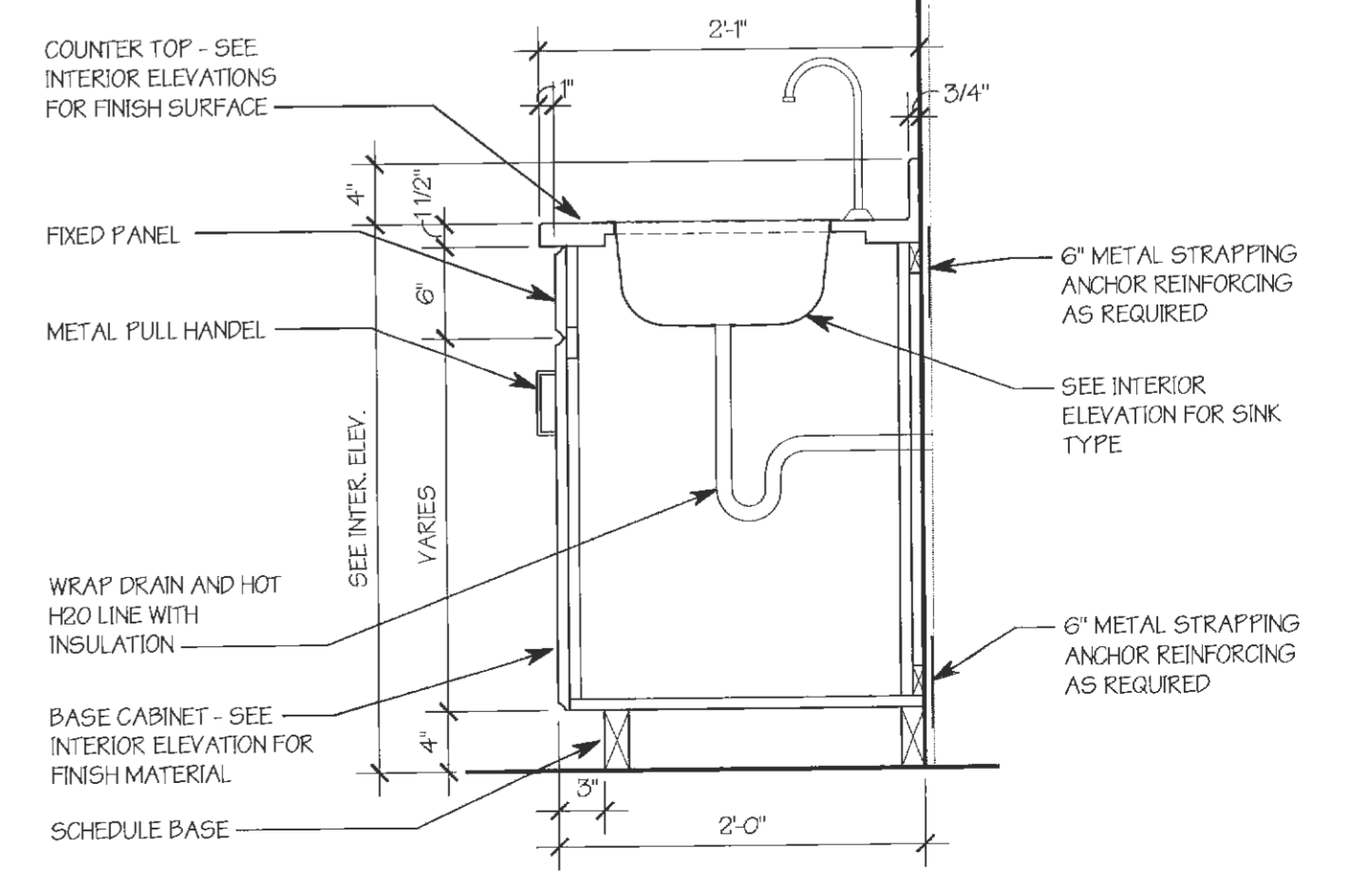
- HANDICAP ACCESSIBLE LAVATORY, SEE PLUMBING DWGS FOR FIXTURE TYPE
- HANDICAPPED ACCESSIBLE WATER CLOSET, SEE PLUMBING DWGS. FOR FIXTURE TYPE

**EQUIPMENT LEGEND**

- PLATE GLASS MIRROR
- SEMI-RECESSED PAPER TOWEL DISPENSER
- HC GRAB BARS, LG BACK OF TOILET, 42" LG ADJACENT TO TOILET 12" OFF BACK WALL, 18" L VERTICAL GRAB BAR MTD 39 TO 41" AFF AND 39" TO 41" OFF BACK WALL
- SURFACE MOUNTED MULTI-ROLL TOILET TISSUE DISPENSER



**7 BASE CABINET SECTION**  
A9.1 SCALE: 1" = 1'-0"



**10 SINK BASE CABINET SECTION**  
A9.1 SCALE: 1" = 1'-0"

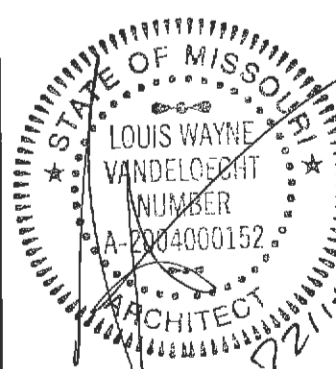
CONSULTING ENGINEERS  
ELECTRICAL: TBD  
FIRE PROTECTION: TBD  
MECHANICAL: TBD  
PLUMBING: TBD

JOSE CONSULTING ENGINEERS  
1680 DES PERES RD., SUITE 100  
ST. LOUIS, MO. 63113  
(314) 433-0254

**CONTRACTOR**  
**ARCO**  
THE DESIGN BUILD PEOPLE  
14555 W. BIRCH AVE., SUITE 200  
ST. LOUIS, MISSOURI 63119  
(314) 482-5151 (F) 314-483-0714  
WWW.ARCONATIONAL.COM

**ARCHITECT**  
**GMA**  
ARCHITECTS  
14555 W. BIRCH AVE., SUITE 200  
ST. LOUIS, MISSOURI 63119  
(314) 482-5151 (F) 314-483-0714  
WWW.GMA-ARCHITECTS.COM

A BUILDING ADDITION FOR:  
**99 Park Place**  
Senior Living at Wing Haven  
OFF FALLON, MO 63186



JOB NO: SJ1408  
PA: RJR  
PERMIT SET: 07-21-14

**REVISIONS**


SHEET NUMBER  
**A9.1**  
INTERIOR ELEVATIONS AND  
MILLWORK DETAILS