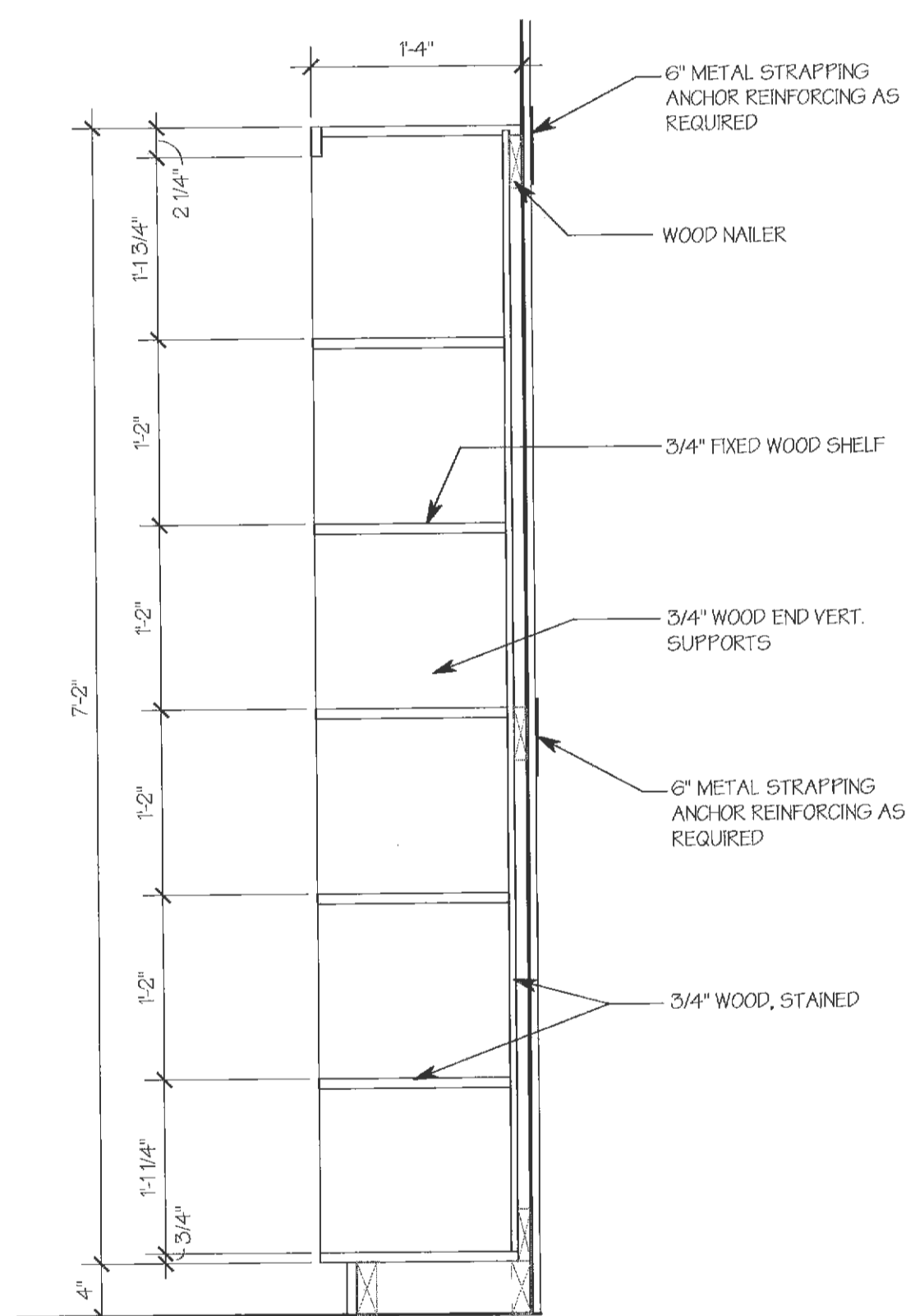


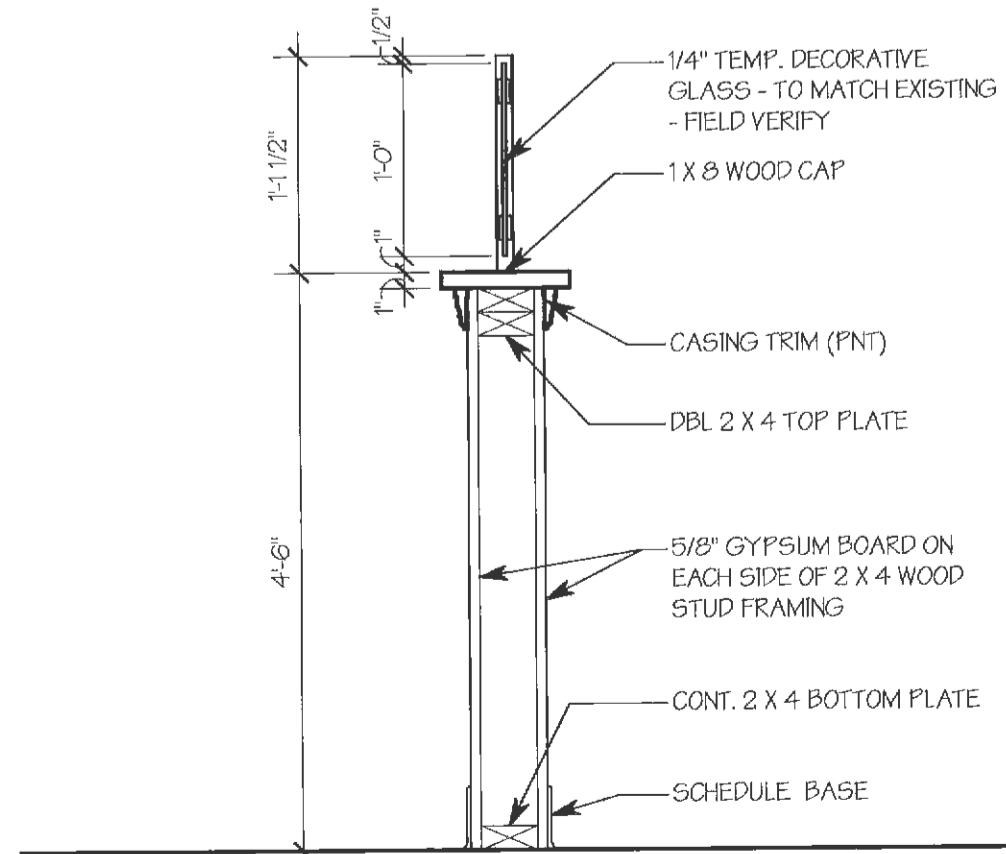
1 CASEWORK SECTION - SITTING AREA 105 FIREPLACE

A9.2 SCALE: 1" = 1'-0"



2 BOOK SHELF SECTION

A9.2 SCALE: 1" = 1'-0"



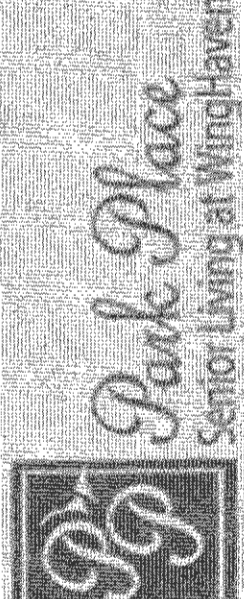
3 CASEWORK SECTION - HALF WALL

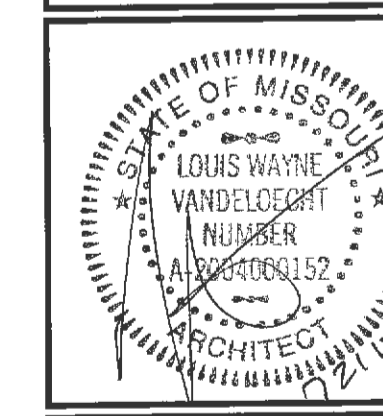
A9.2 SCALE: 1" = 1'-0"

CONSULTING ENGINEERS
 CIVIL: _____ TBD
 ELECTRICAL: _____ TBD
 STRUCTURAL: _____ TBD
 FIRE PROTECTION: _____ TBD
 MECHANICAL: _____ TBD
 PLUMBING: _____ TBD

CONTRACTOR
ARCO
 CONSTRUCTION
 THE DESIGN/BUILD PEOPLE
 100 NORTH ROCK HILL ROAD
 ST. LOUIS, MISSOURI 63119
 (P) 630.599.9100 (F) 630.599.9101
 WWW.ARCONATIONAL.COM

ARCHITECT
GWA
 ARCHITECTS, P.C.
 800 NORTH ROCK HILL ROAD
 ST. LOUIS, MISSOURI 63119
 (P) 314.822.9191 (F) 314.863.0714
 WWW.GWAARCHITECTS.COM

A BUILDING ADDITION FOR:

 2002 & 2004 BOARDWALK PLACE DRIVE
 OF FALLOON, MO 63368



JOB NO: SJ1408
 PA: RJR
 PERMIT SET: 07-21-14

REVISIONS	△

SHEET NUMBER
A9.2
 MILLWORK DETAILS