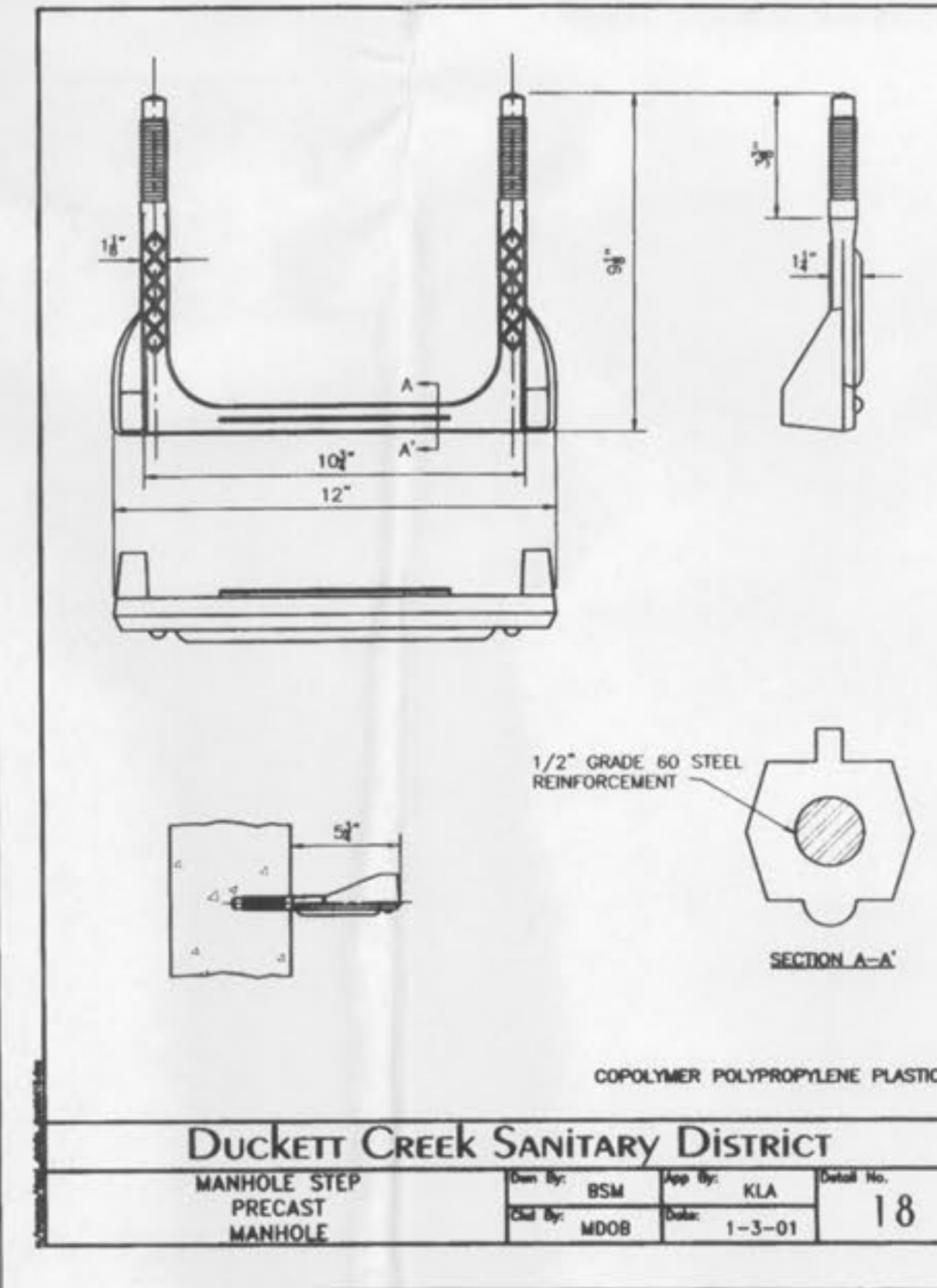
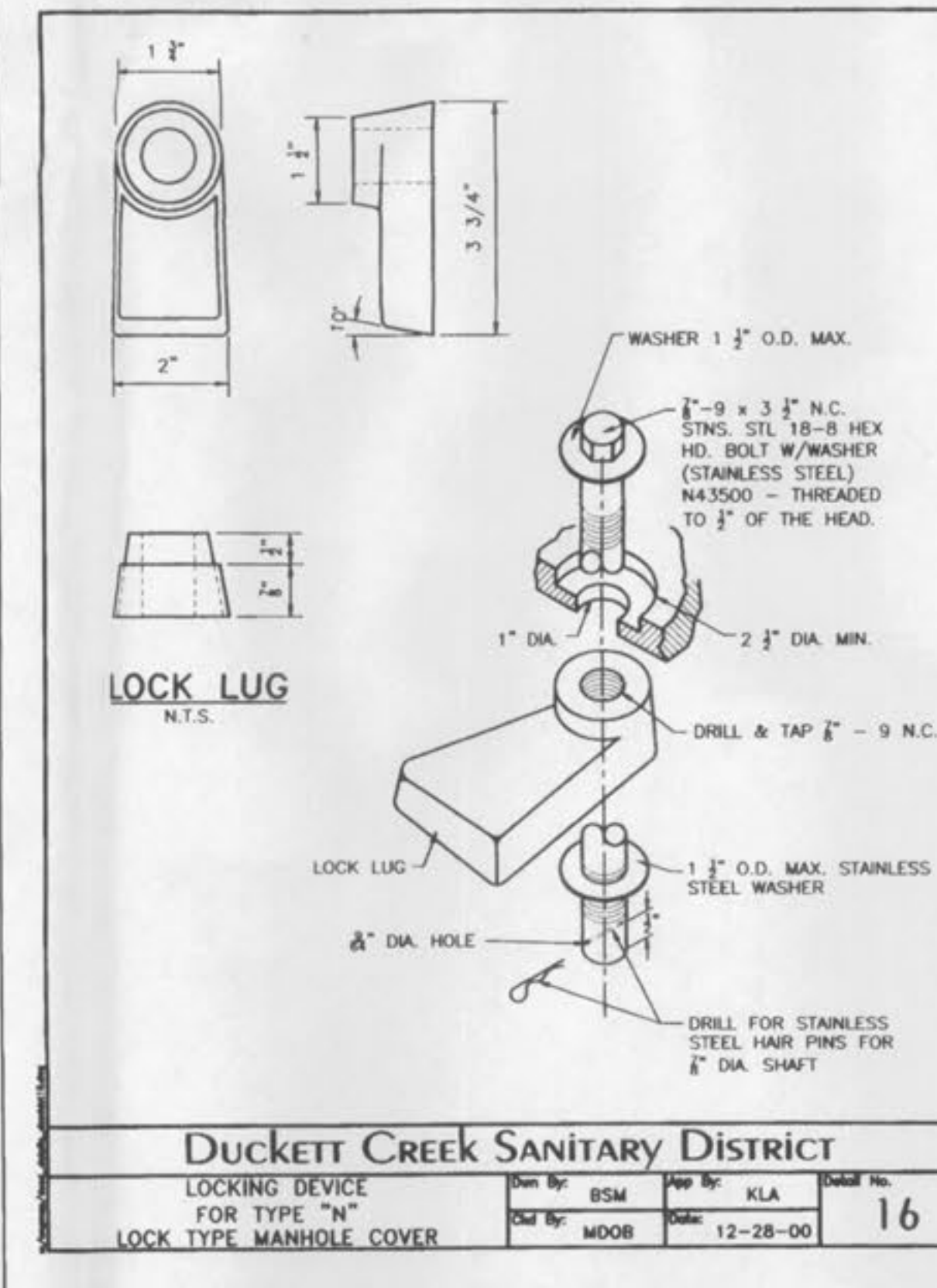
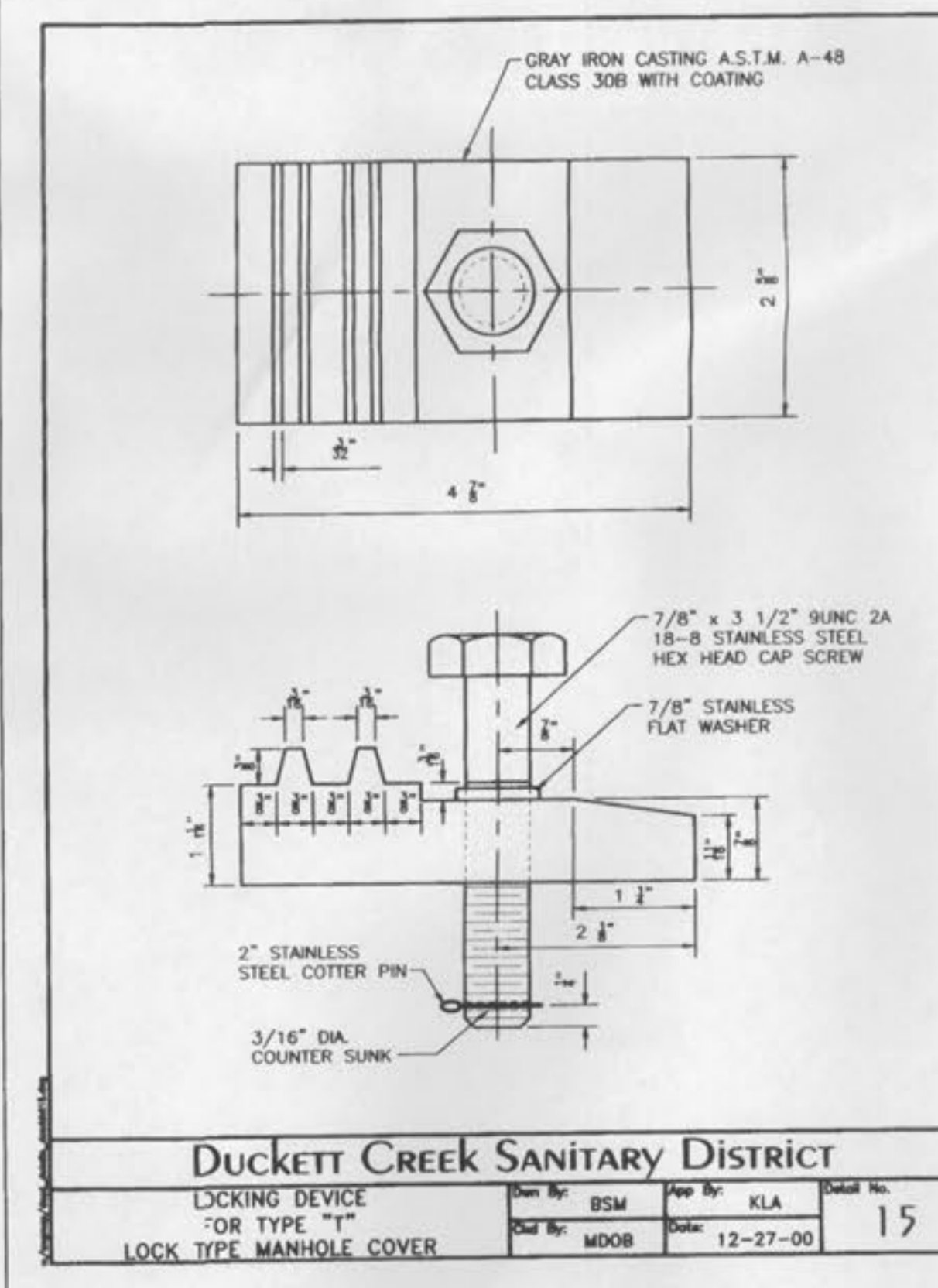
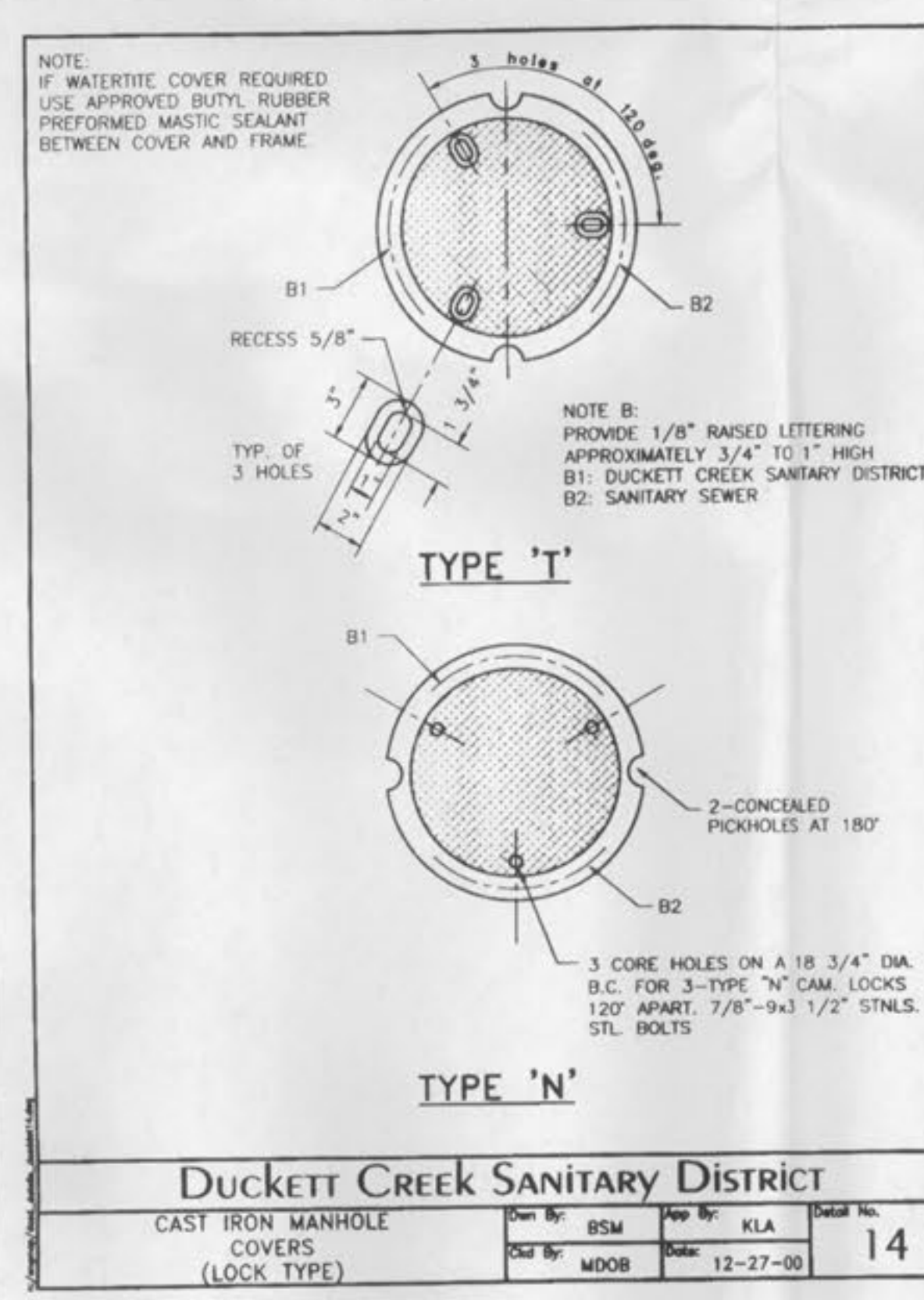
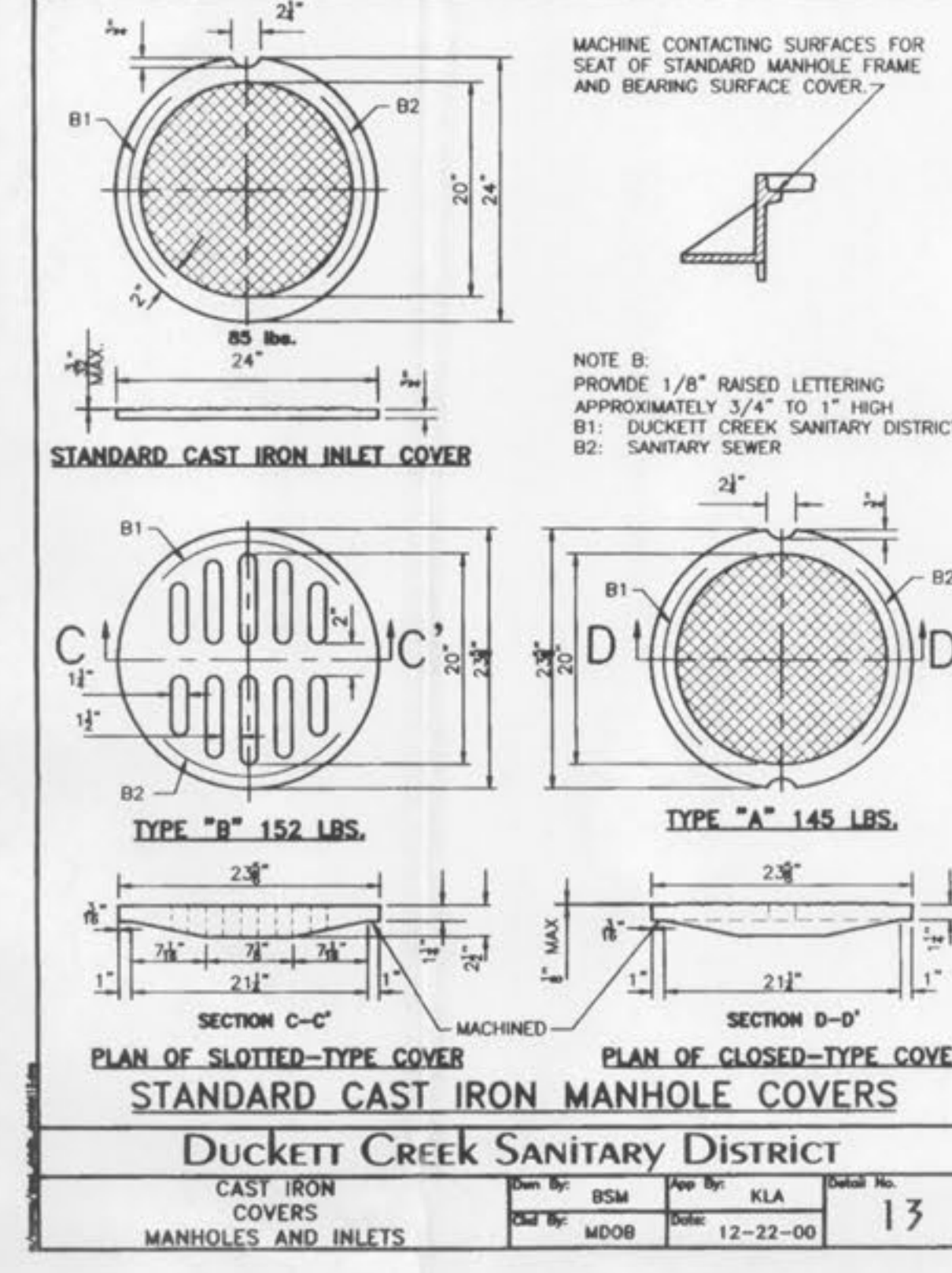
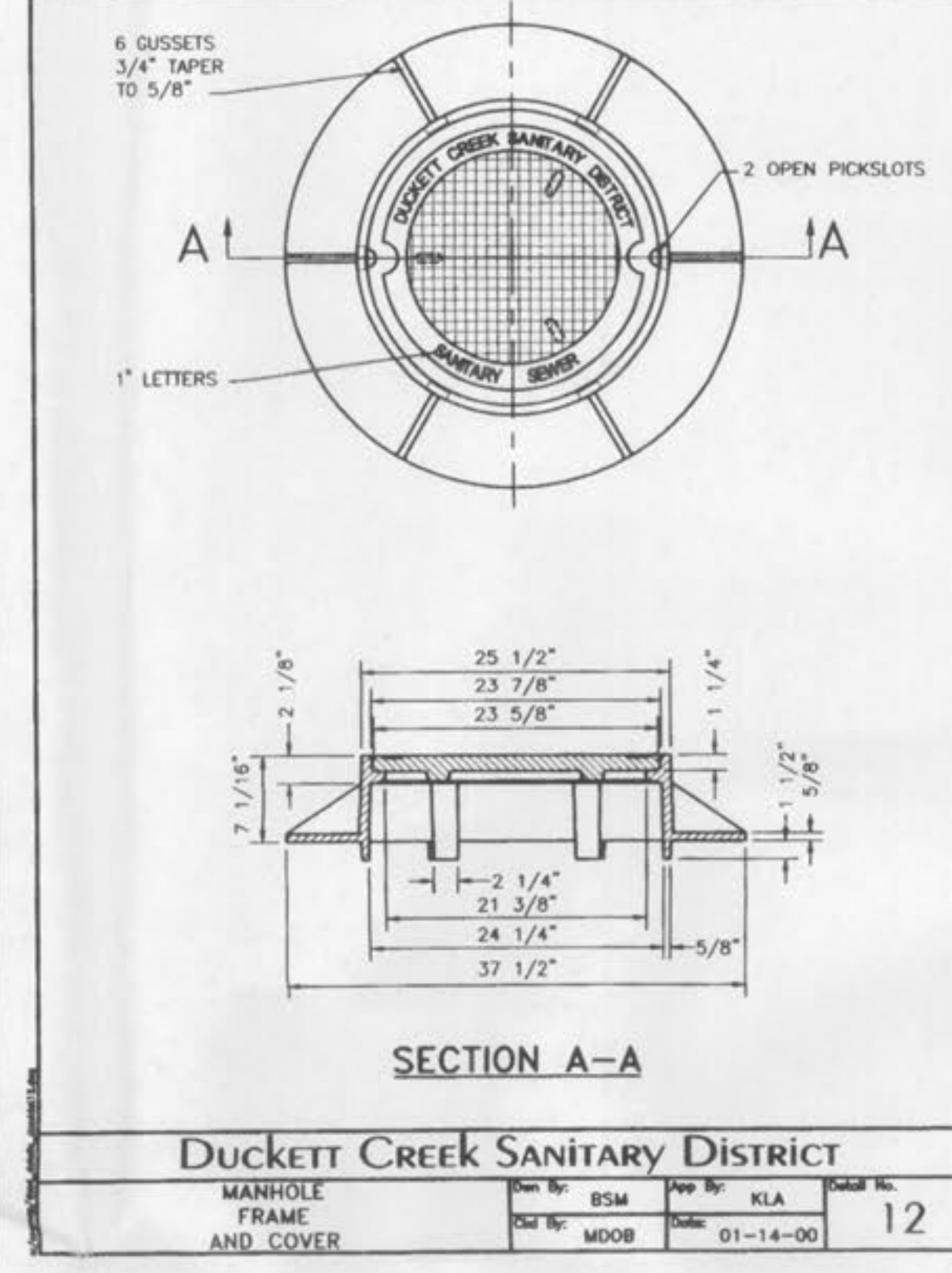
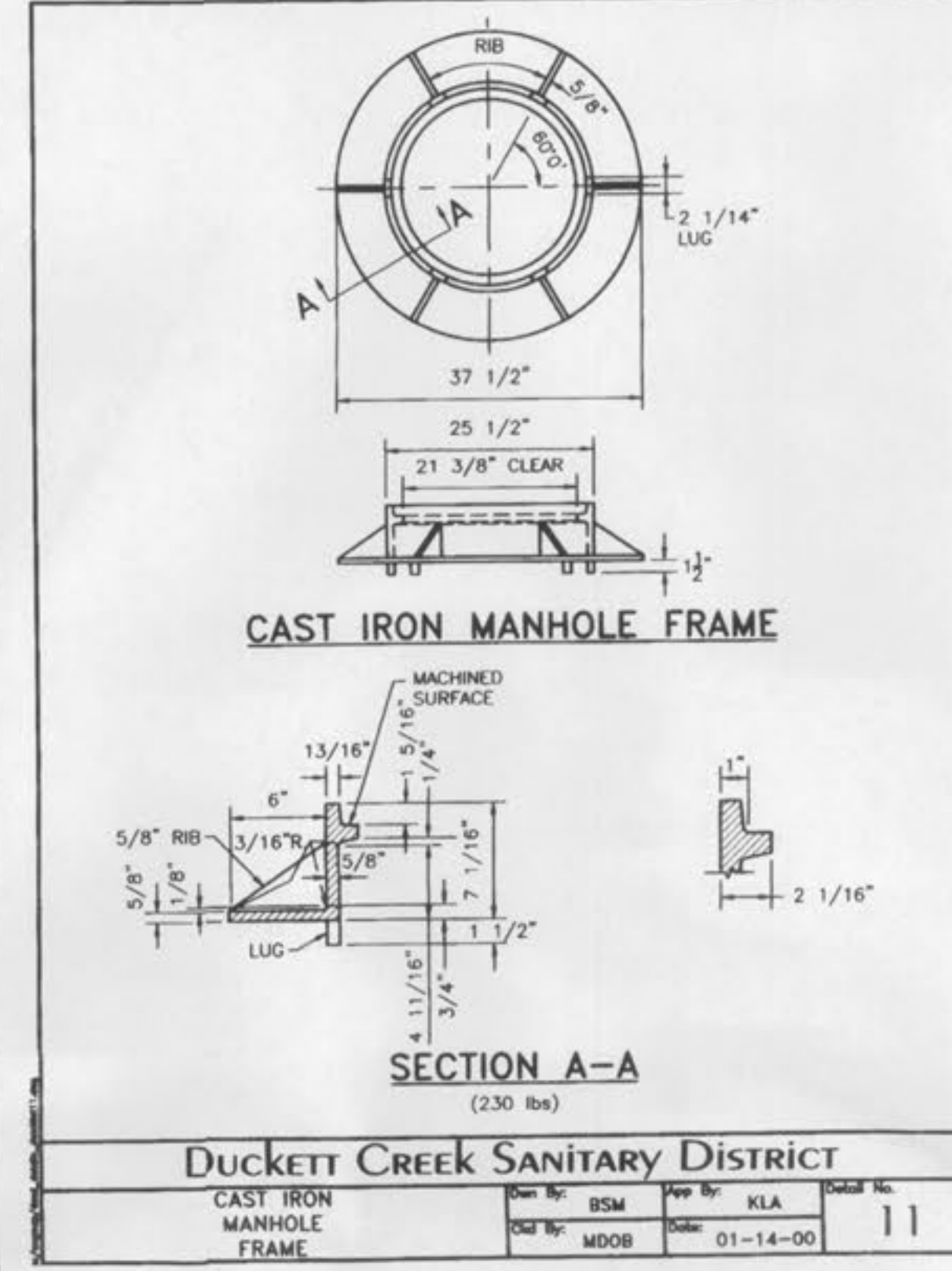
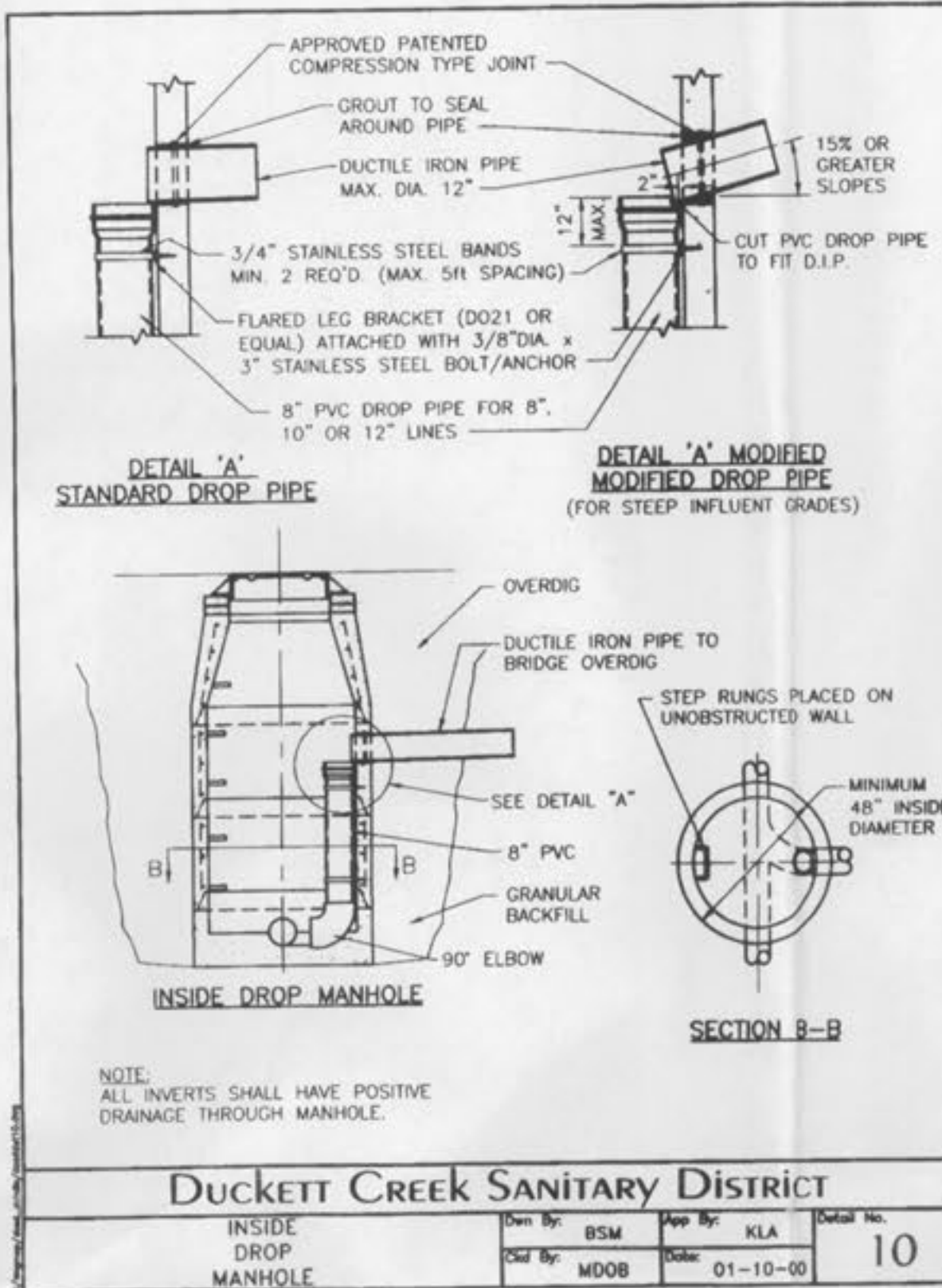


Project Title:



O'Fallon, Missouri 63366

Park Place
Independent and Assisted Living Apartments
Phoenix Parkway (Village M)

PROJECT:

No.	Revision	Description	Date
1		CITY OF O'FALLON, DCSD	1-07-00

BUILDING PERMIT SET			
Sheet Title:			
DCSC DETAILS 2			

Project Number:	Sheet Number:
04188	
Drawn By:	C12
Issue Date:	NOV. 15, 2004