

**PRECAST CONCRETE STORMWATER STRUCTURES**

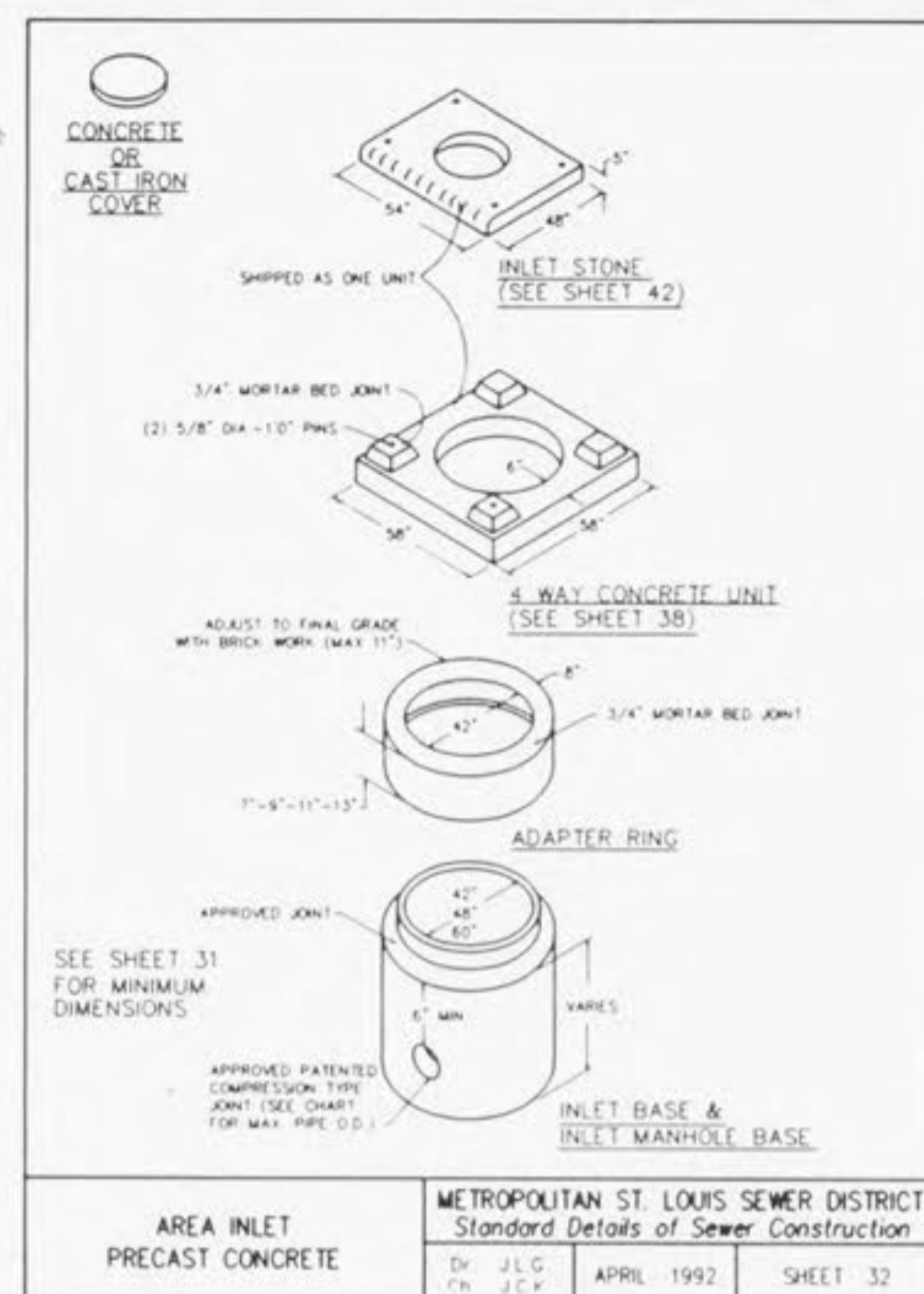
MINIMUM DISTANCE FLOWLINE TO TOP OF STONE OR GRATE

PIPE ID NOMINAL INCHES	AREA INLET CIRCULAR BASE DIA		SQUARE INLET CIRCULAR BASE DIA		SINGLE STREET INLET CIRCULAR BASE DIA		RECTANGULAR INLET	
	42"	48"	48"	60"	36"	48"	48"	48"
12"	45"	58"	51"	51"	31"	48"	41"	
15"	48"	61"	54"	54"	34"	51"	44"	
18"	51"	64"	57"	57"	37"	54"	47"	
21"	54"	67"	60"	60"	40"	57"	50"	
24"	57"	70"	63"	63"	43"	60"	53"	
30"	63"	76"	69"	69"	49"	66"	59"	
36"	69"	82"	75"	75"	55"	72"	65"	
42"	75"	88"	81"	81"	61"	78"	71"	

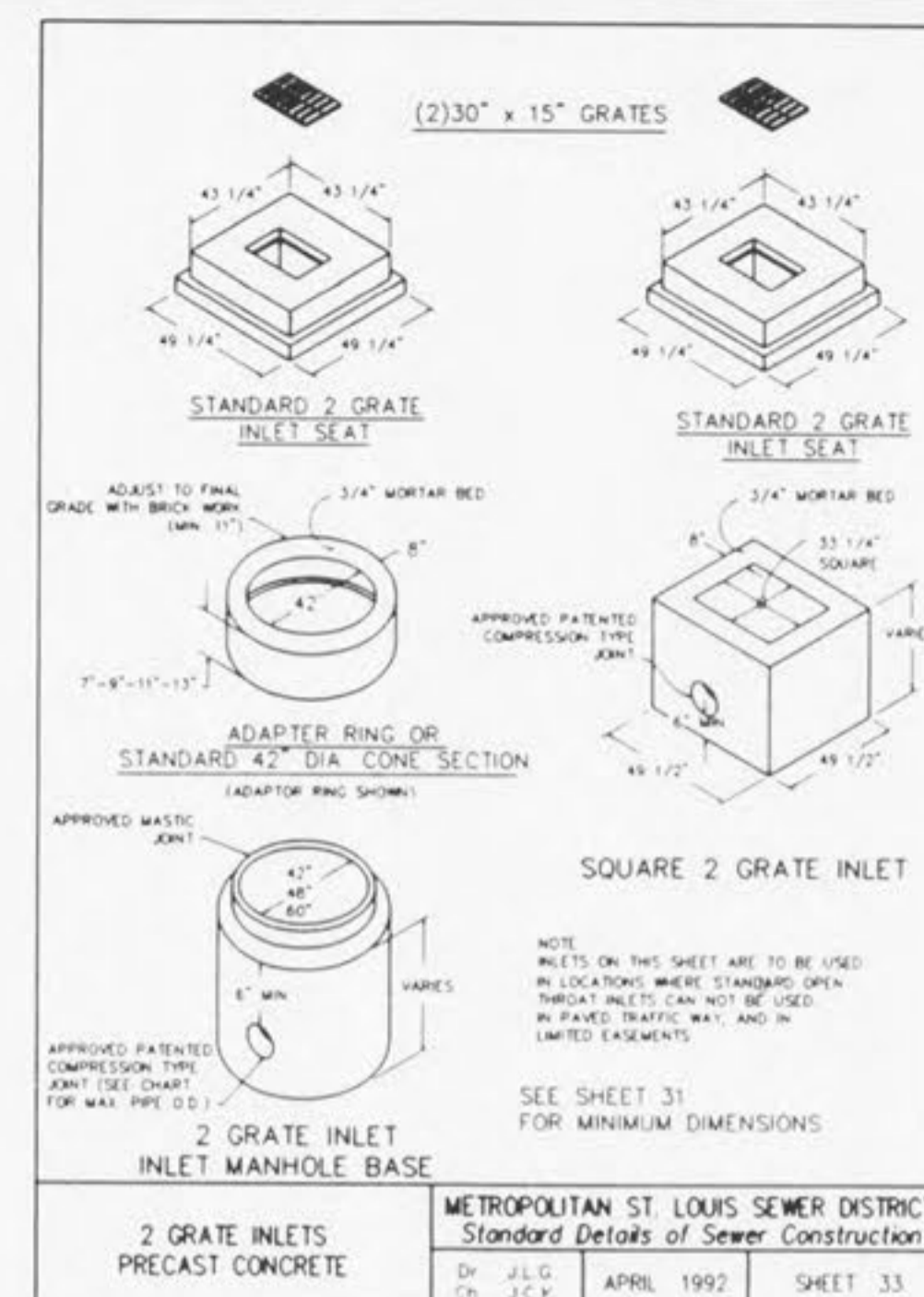
(SEE SHEET 32 FOR DETAILS) (SEE SHEET 33 FOR DETAILS) (SEE SHEET 34 FOR DETAILS)

NOTE 1: 48" DIA. BASE REQUIRES 7" HIGH TRANSITION SECTION TO 42" DIA. SIMILAR TO "ADAPTER RING" SHEET 32.  
 2: 60" DIA. BASE REQUIRES 24" HIGH CONCENTRIC REDUCER TRANSITION TO 42" DIA. SIMILAR TO "ADAPTER RING" SHEET 32.

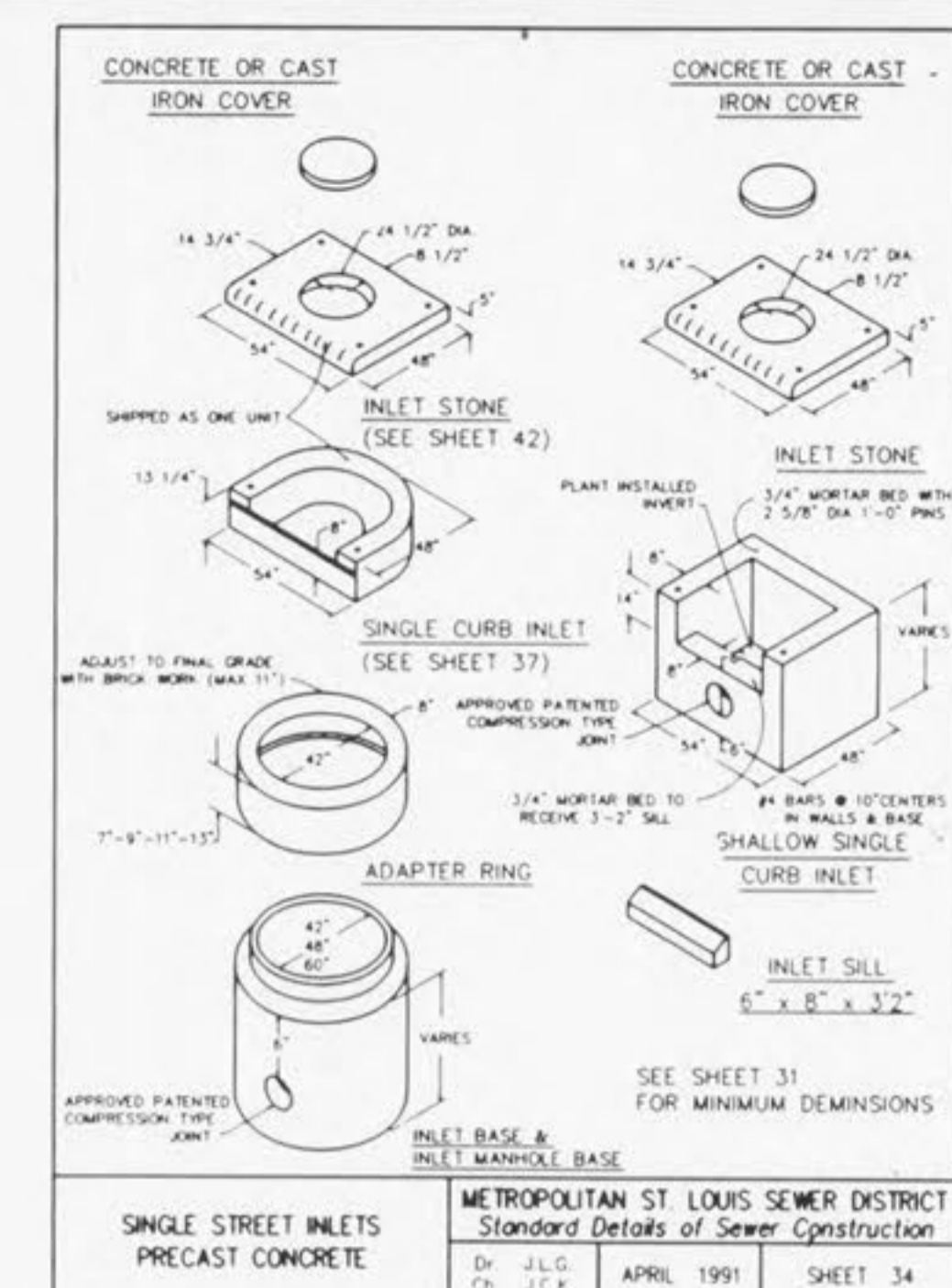
PRECAST CONCRETE STORMWATER STRUCTURES  
 METROPOLITAN ST. LOUIS SEWER DISTRICT  
 Standard Details of Sewer Construction  
 D: J.L.G. CH: J.C.K. SEPT. 1990 SHEET 31



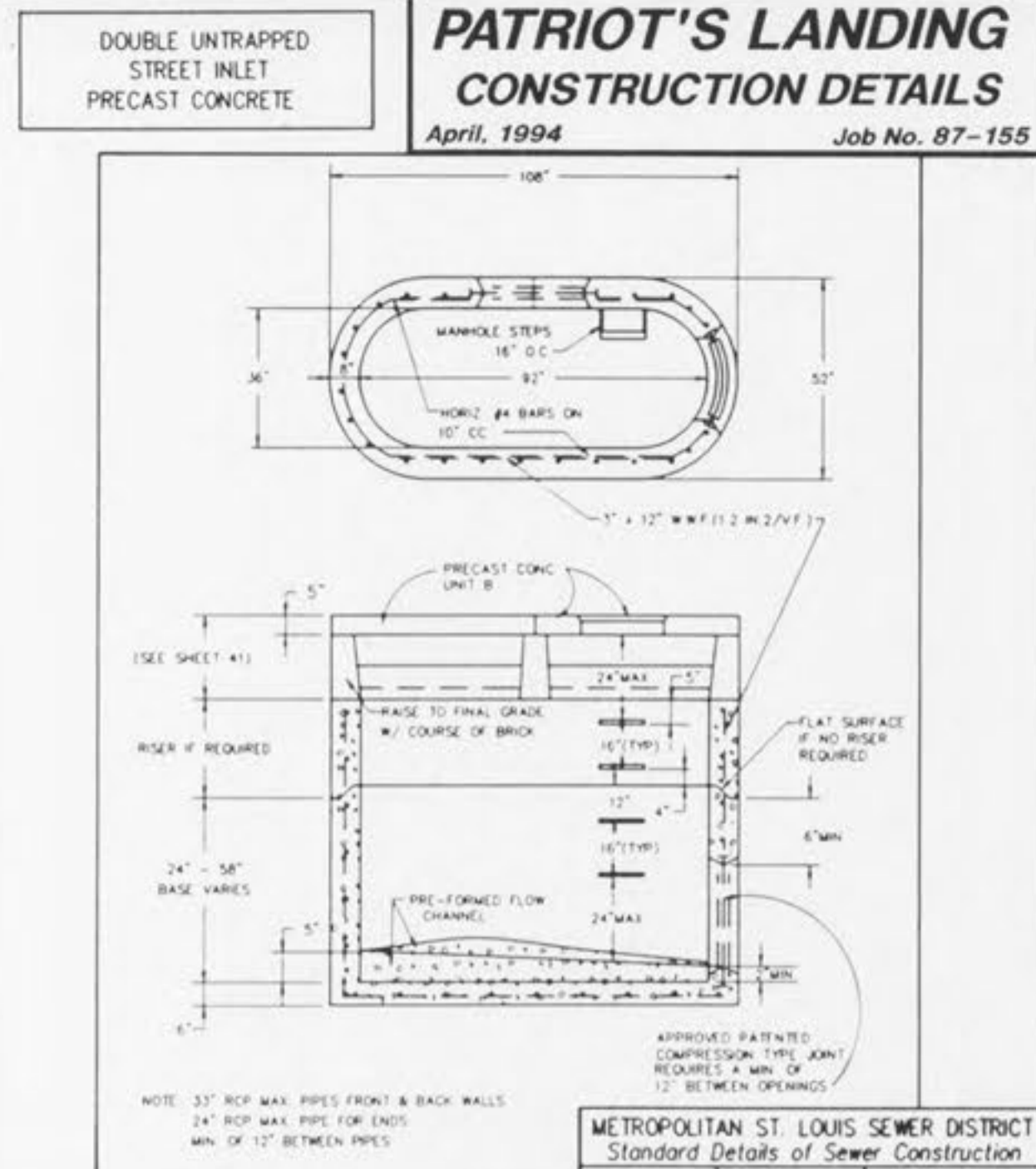
CONCRETE OR CAST IRON COVER  
 METROPOLITAN ST. LOUIS SEWER DISTRICT  
 Standard Details of Sewer Construction  
 AREA INLET PRECAST CONCRETE  
 D: J.L.G. CH: J.C.K. APRIL 1992 SHEET 32



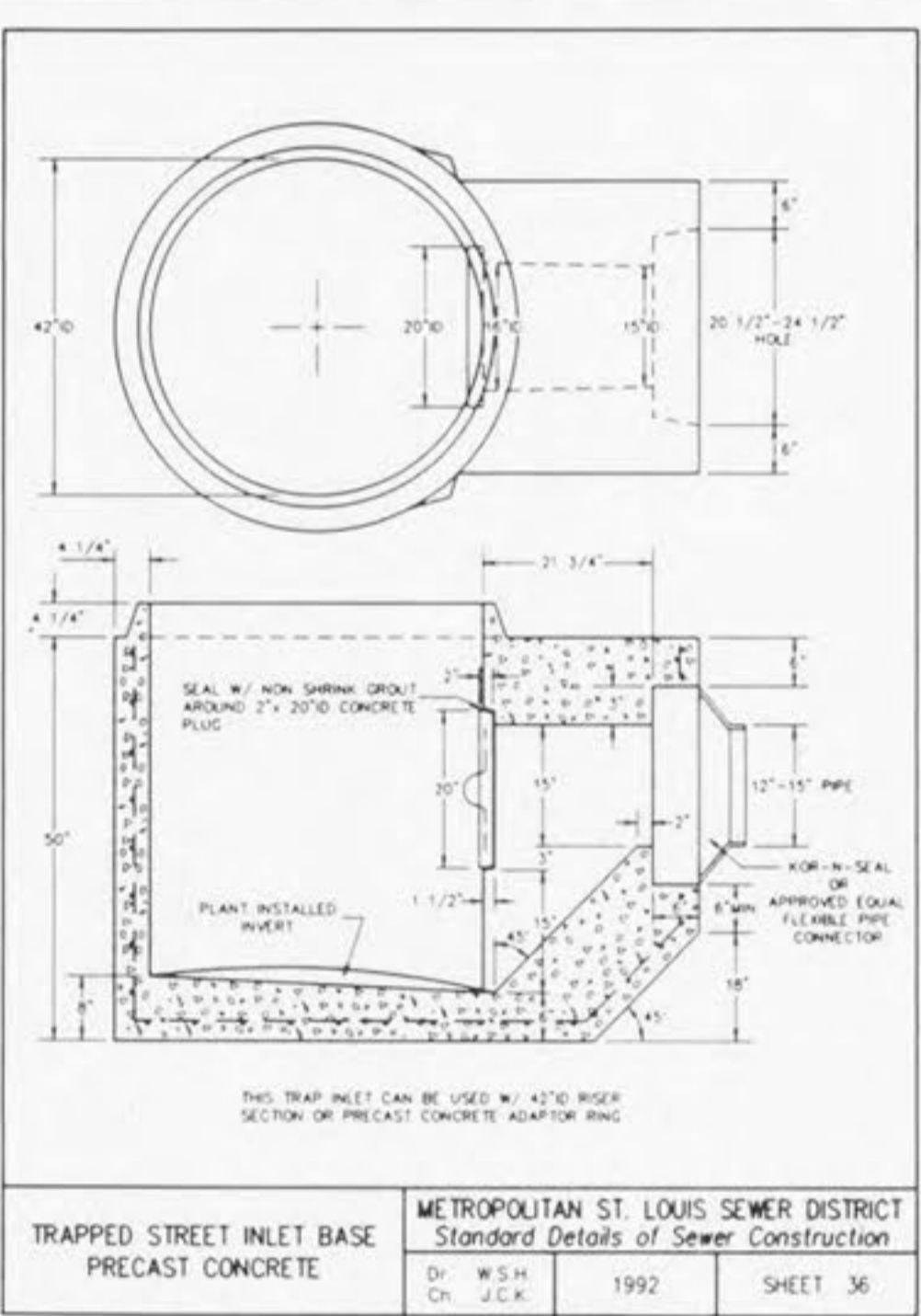
(2)30" x 15" GRATES  
 METROPOLITAN ST. LOUIS SEWER DISTRICT  
 Standard Details of Sewer Construction  
 2 GRATE INLETS PRECAST CONCRETE  
 D: J.L.G. CH: J.C.K. APRIL 1992 SHEET 33



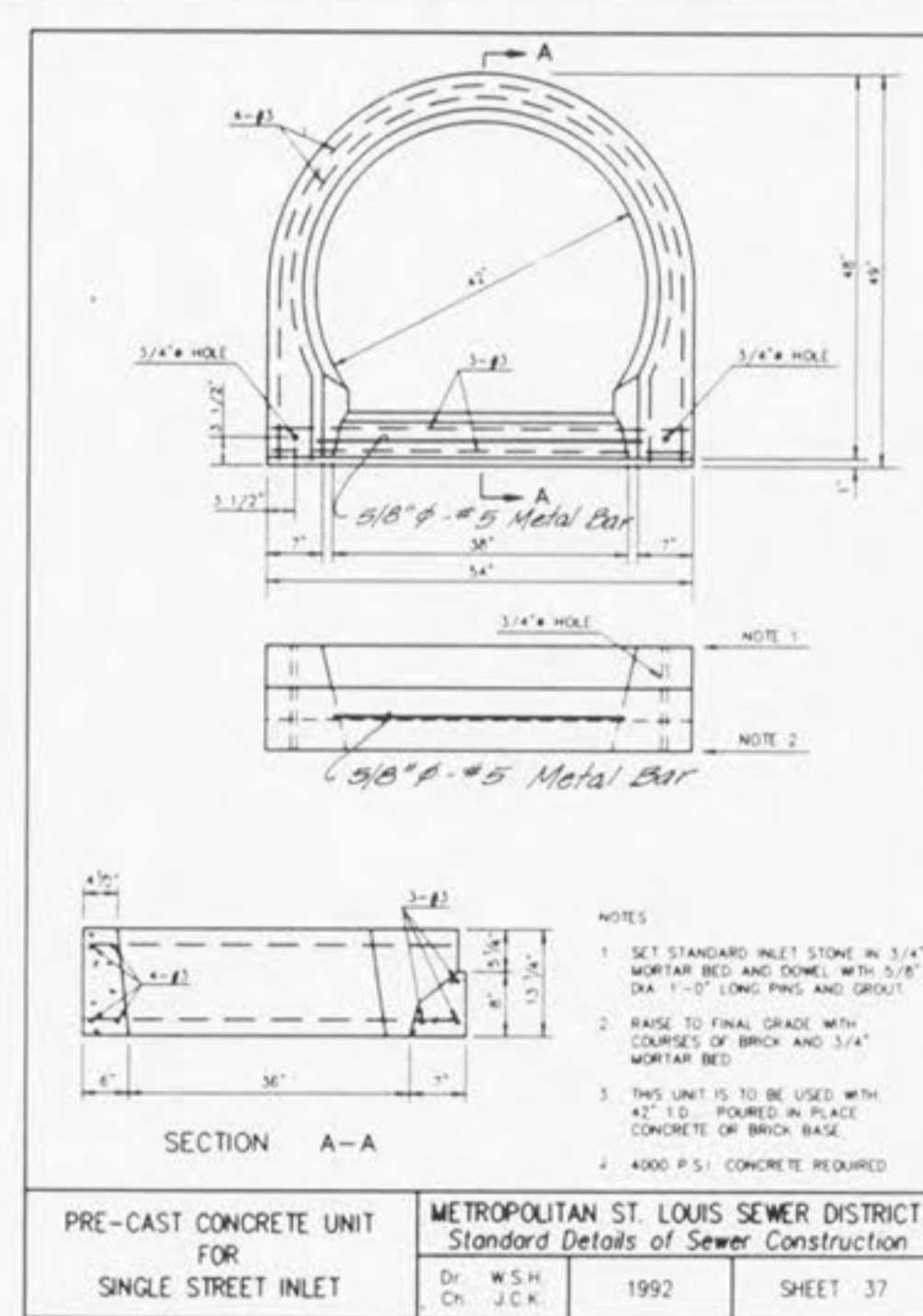
CONCRETE OR CAST IRON COVER  
 METROPOLITAN ST. LOUIS SEWER DISTRICT  
 Standard Details of Sewer Construction  
 SINGLE STREET INLETS PRECAST CONCRETE  
 D: J.L.G. CH: J.C.K. APRIL 1991 SHEET 34



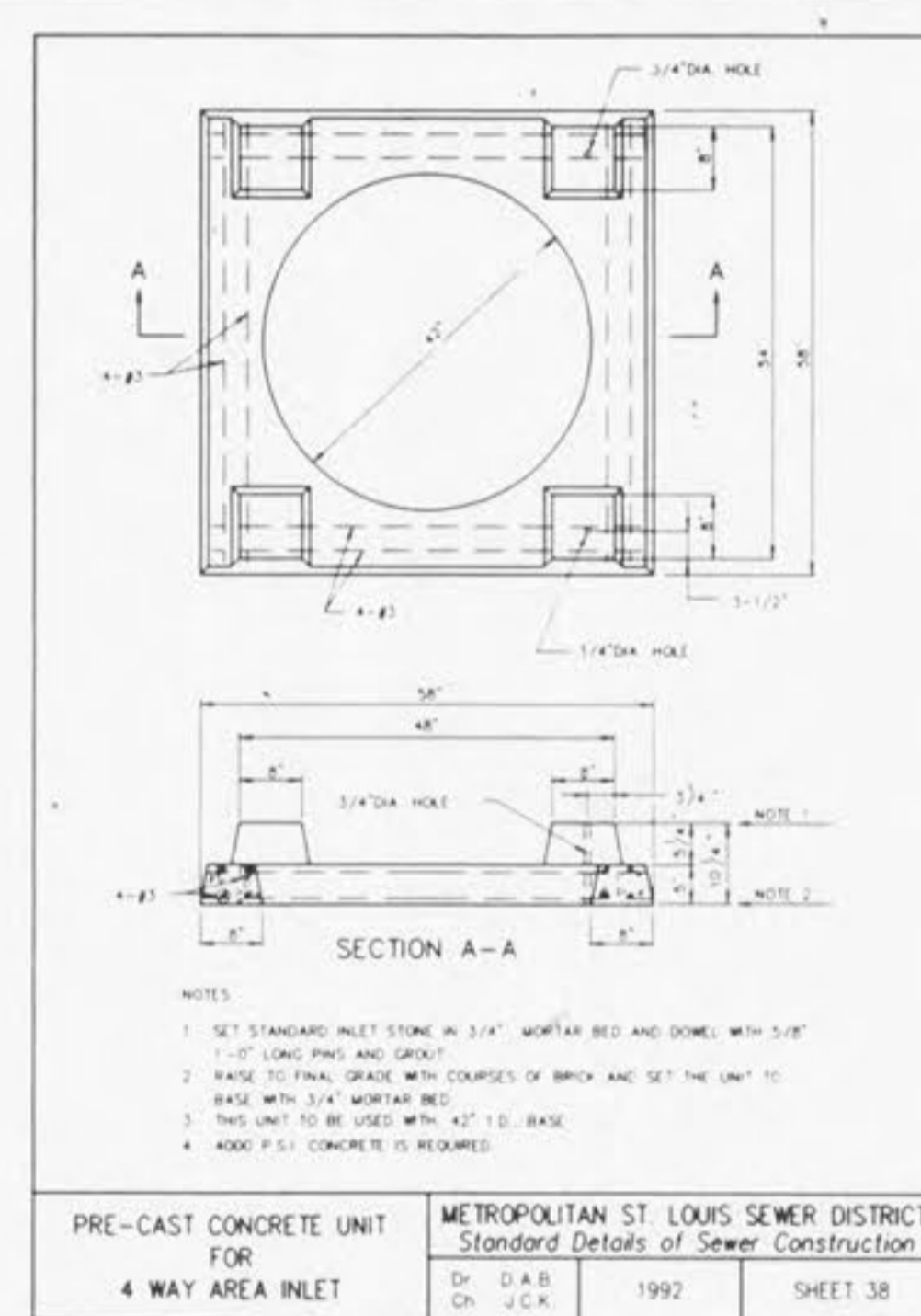
DOUBLE UNTRAPPED STREET INLET PRECAST CONCRETE  
 METROPOLITAN ST. LOUIS SEWER DISTRICT  
 Standard Details of Sewer Construction  
 D: J.L.G. CH: J.C.K. SEPT. 1992 SHEET 35



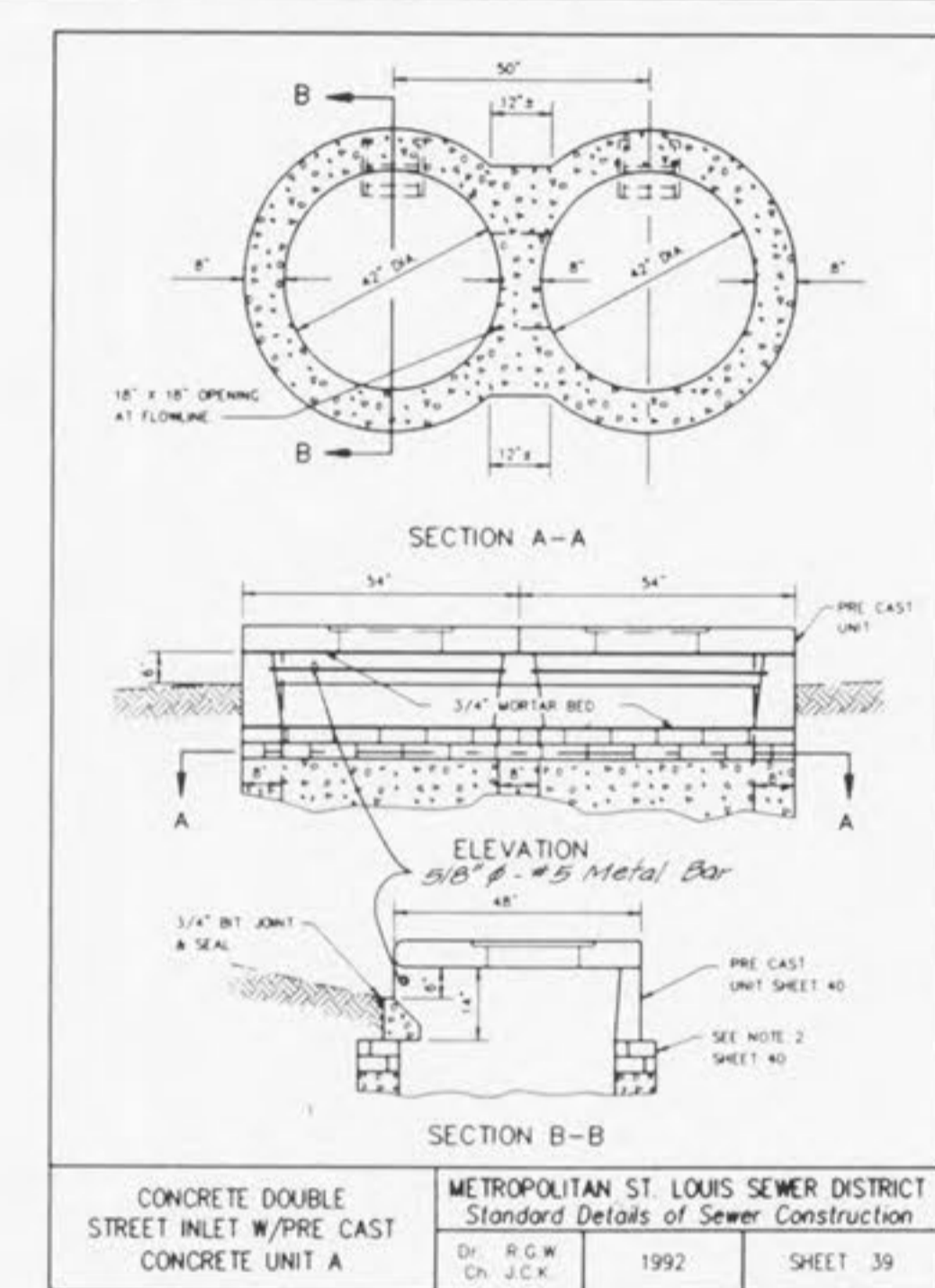
TRAPPED STREET INLET BASE PRECAST CONCRETE  
 METROPOLITAN ST. LOUIS SEWER DISTRICT  
 Standard Details of Sewer Construction  
 D: W.S.H. CH: J.C.K. 1992 SHEET 36



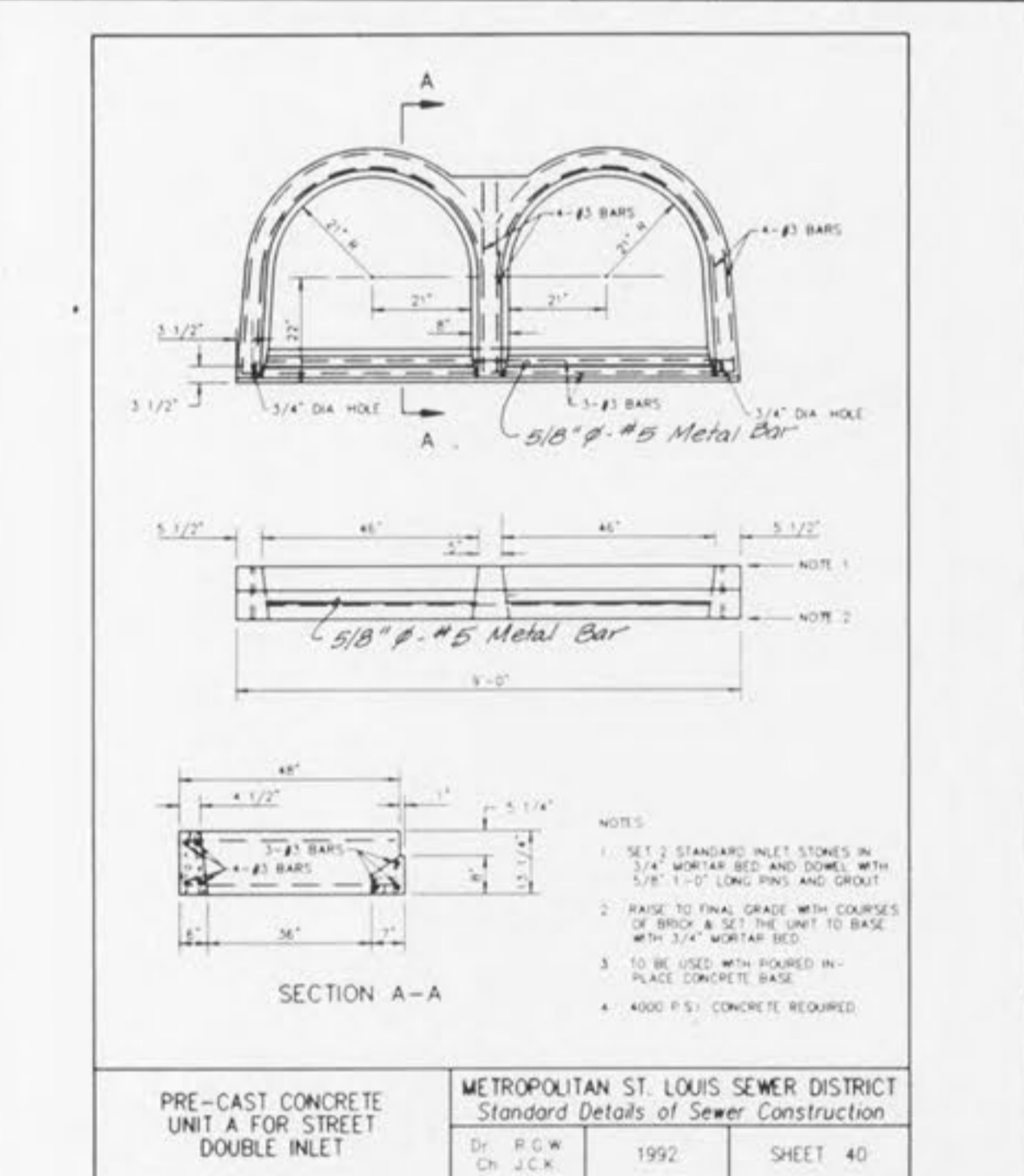
PRE-CAST CONCRETE UNIT FOR SINGLE STREET INLET  
 METROPOLITAN ST. LOUIS SEWER DISTRICT  
 Standard Details of Sewer Construction  
 D: W.S.H. CH: J.C.K. 1992 SHEET 37



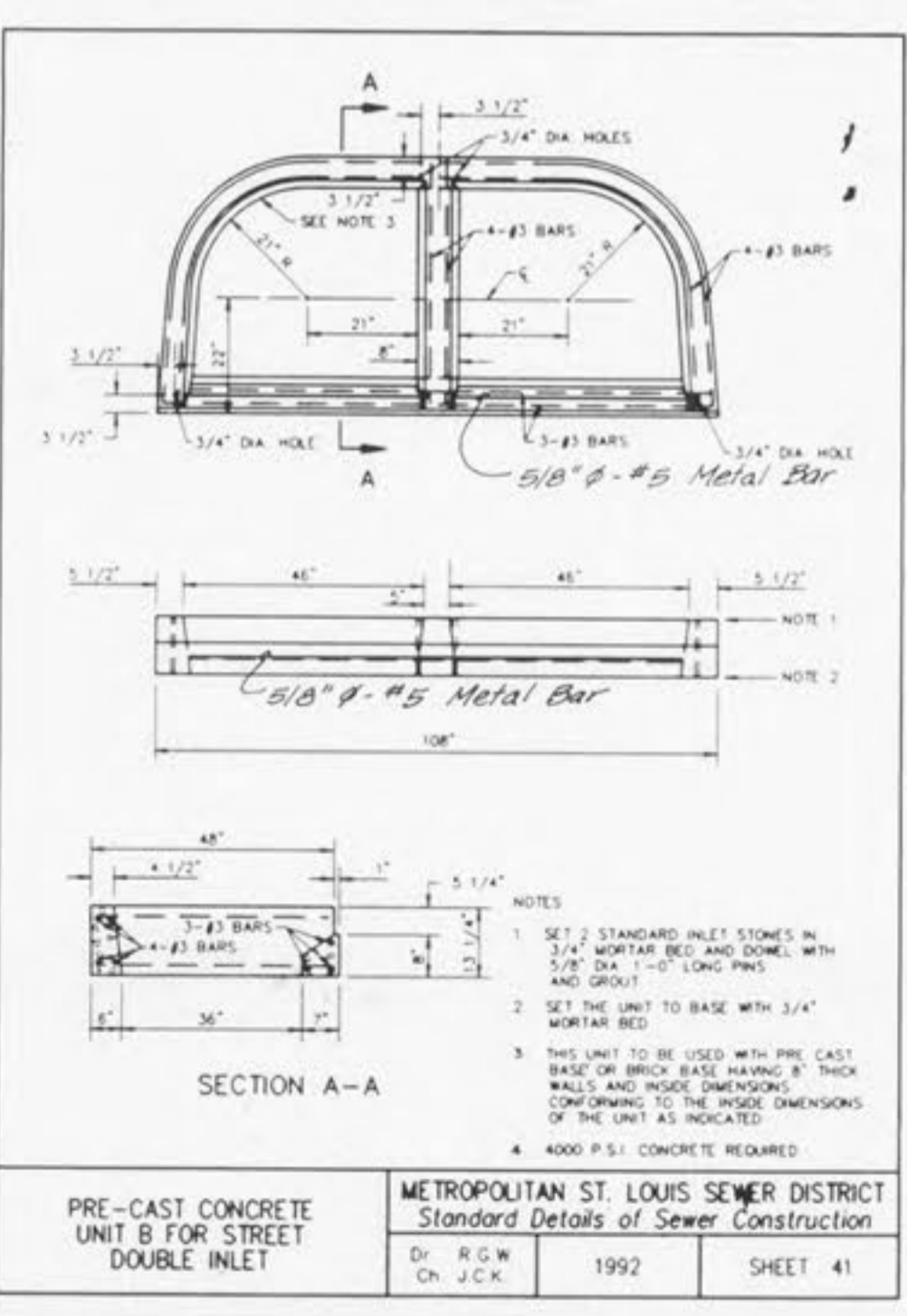
PRE-CAST CONCRETE UNIT FOR 4 WAY AREA INLET  
 METROPOLITAN ST. LOUIS SEWER DISTRICT  
 Standard Details of Sewer Construction  
 D: D.A.B. CH: J.C.K. 1992 SHEET 38



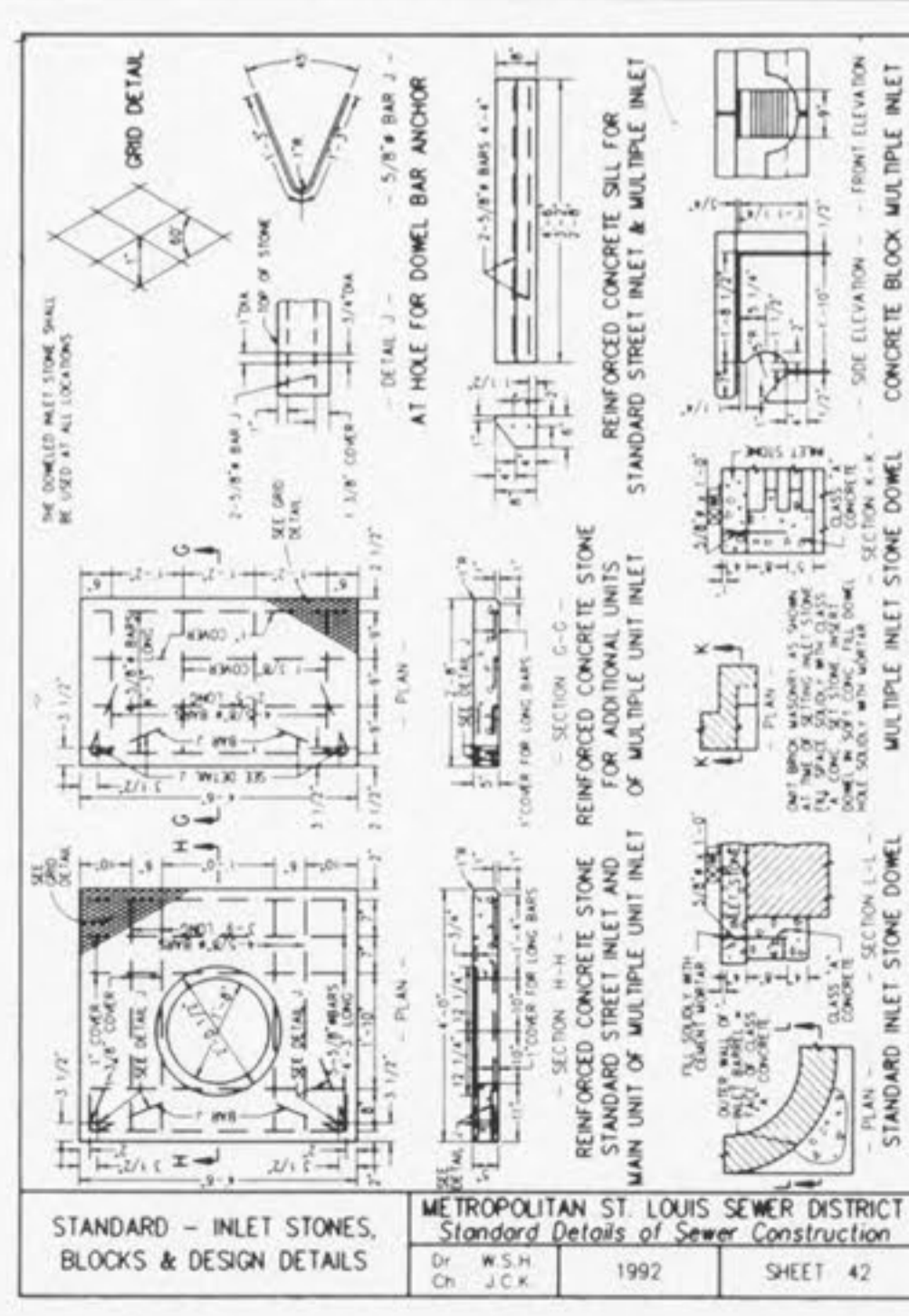
CONCRETE DOUBLE STREET INLET W/PRE CAST CONCRETE UNIT A  
 METROPOLITAN ST. LOUIS SEWER DISTRICT  
 Standard Details of Sewer Construction  
 D: R.G.W. CH: J.C.K. 1992 SHEET 39



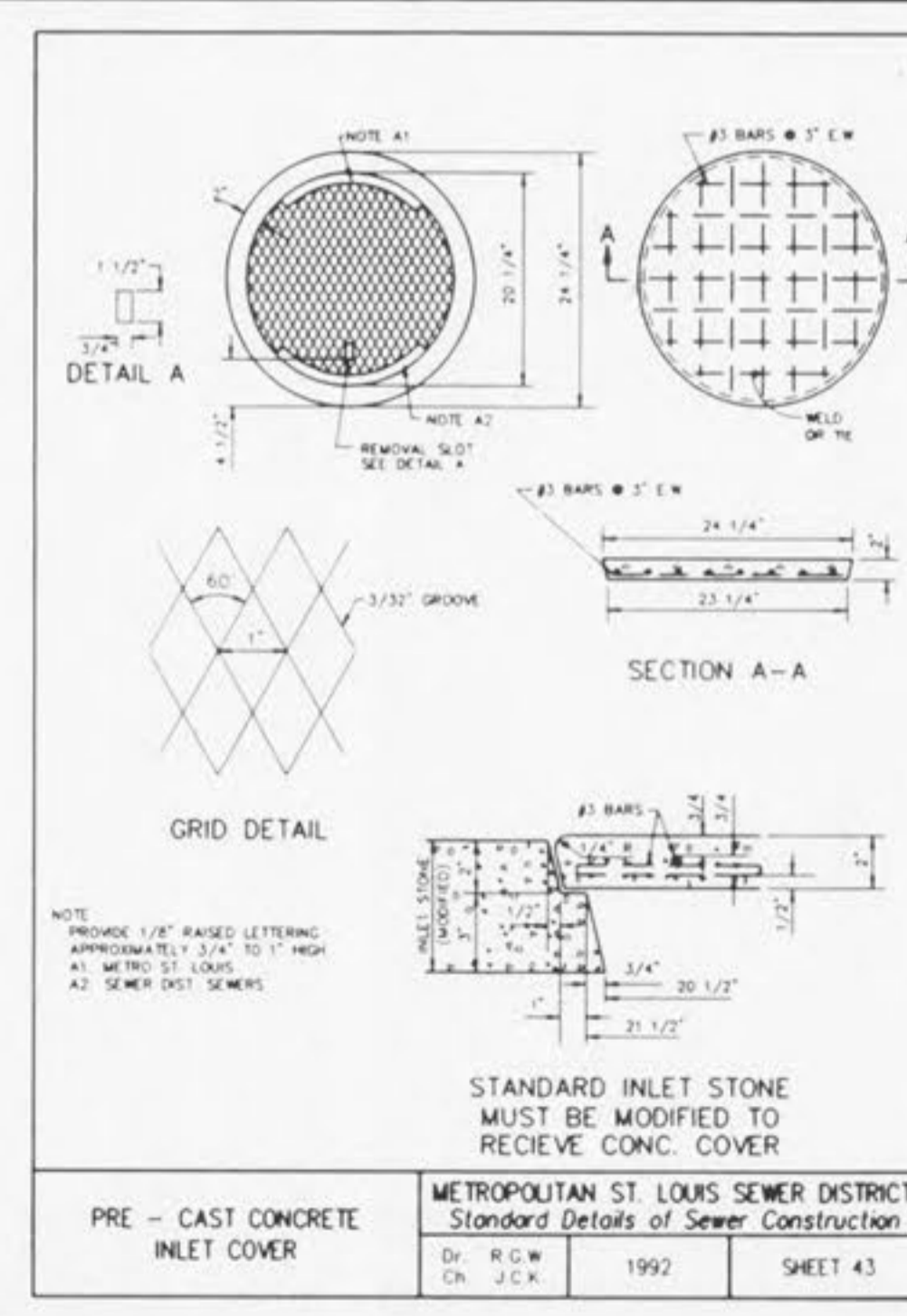
PRE-CAST CONCRETE UNIT A FOR STREET DOUBLE INLET  
 METROPOLITAN ST. LOUIS SEWER DISTRICT  
 Standard Details of Sewer Construction  
 D: R.G.W. CH: J.C.K. 1992 SHEET 40



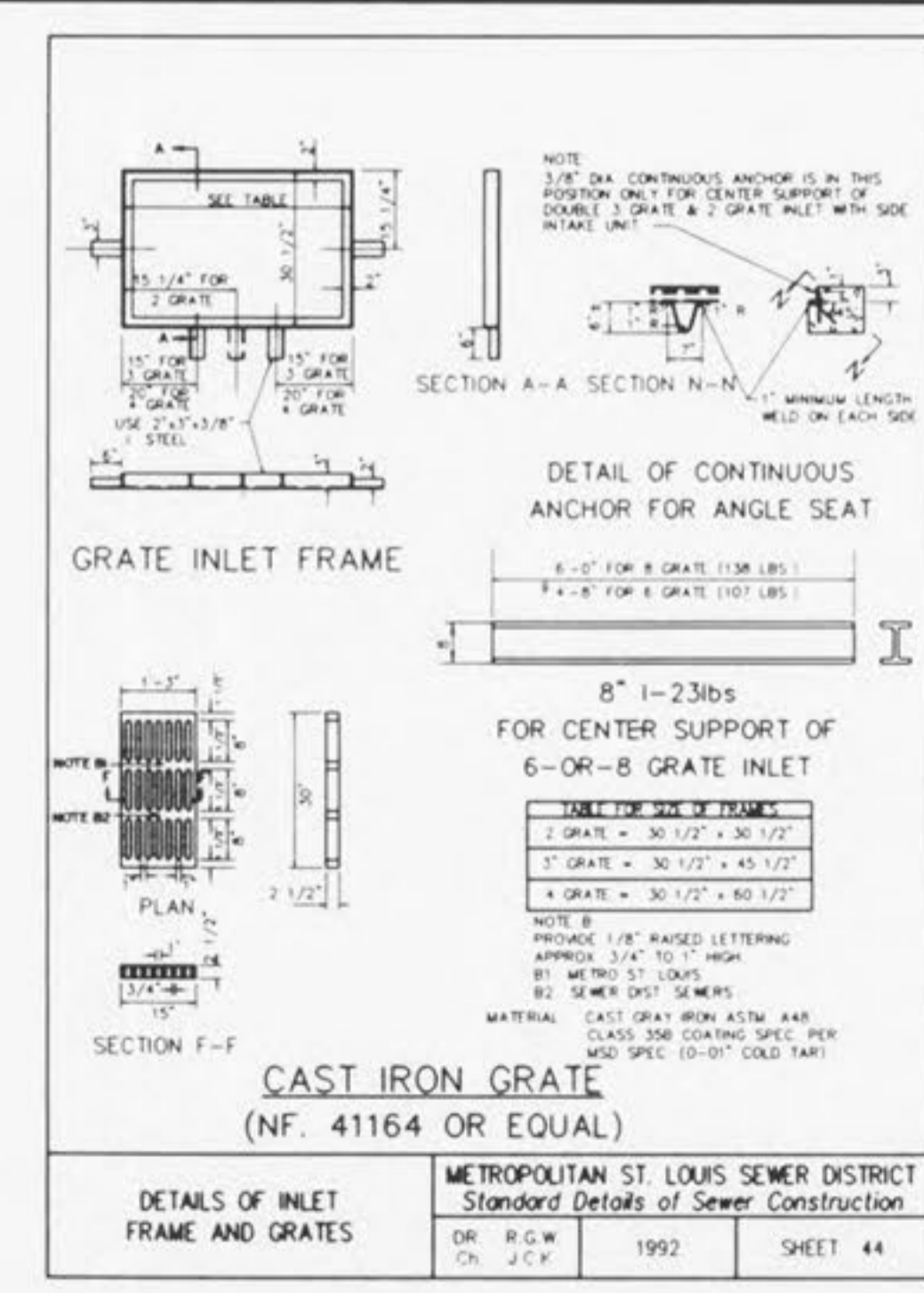
PRE-CAST CONCRETE UNIT B FOR STREET DOUBLE INLET  
 METROPOLITAN ST. LOUIS SEWER DISTRICT  
 Standard Details of Sewer Construction  
 D: R.G.W. CH: J.C.K. 1992 SHEET 41



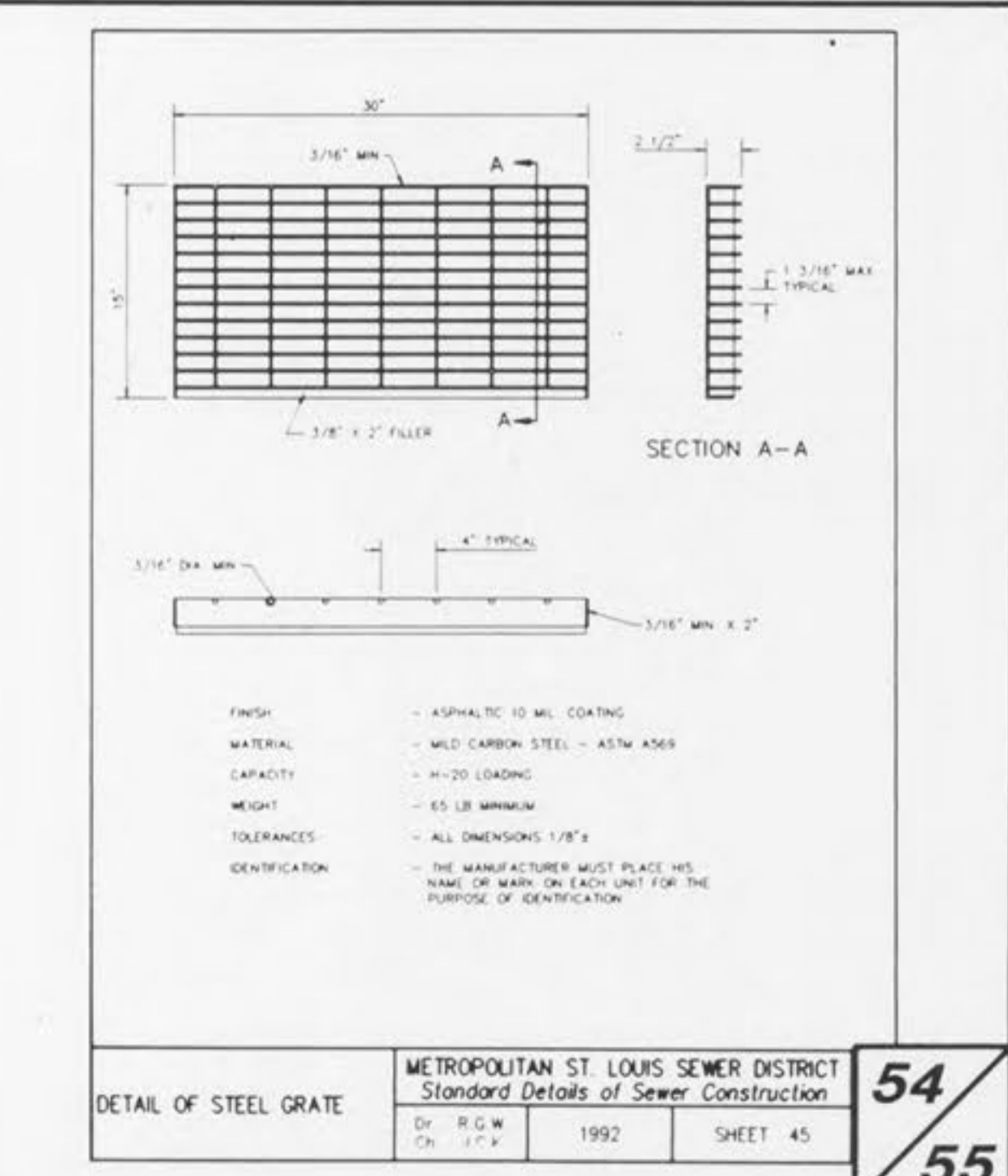
STANDARD - INLET STONES, BLOCKS & DESIGN DETAILS  
 METROPOLITAN ST. LOUIS SEWER DISTRICT  
 Standard Details of Sewer Construction  
 D: W.S.H. CH: J.C.K. 1992 SHEET 42



PRE-CAST CONCRETE INLET COVER  
 METROPOLITAN ST. LOUIS SEWER DISTRICT  
 Standard Details of Sewer Construction  
 D: R.G.W. CH: J.C.K. 1992 SHEET 43



DETAILS OF INLET FRAME AND GRATES  
 METROPOLITAN ST. LOUIS SEWER DISTRICT  
 Standard Details of Sewer Construction  
 D: R.G.W. CH: J.C.K. 1992 SHEET 44



DETAIL OF STEEL GRATE  
 METROPOLITAN ST. LOUIS SEWER DISTRICT  
 Standard Details of Sewer Construction  
 D: R.G.W. CH: J.C.K. 1992 SHEET 45