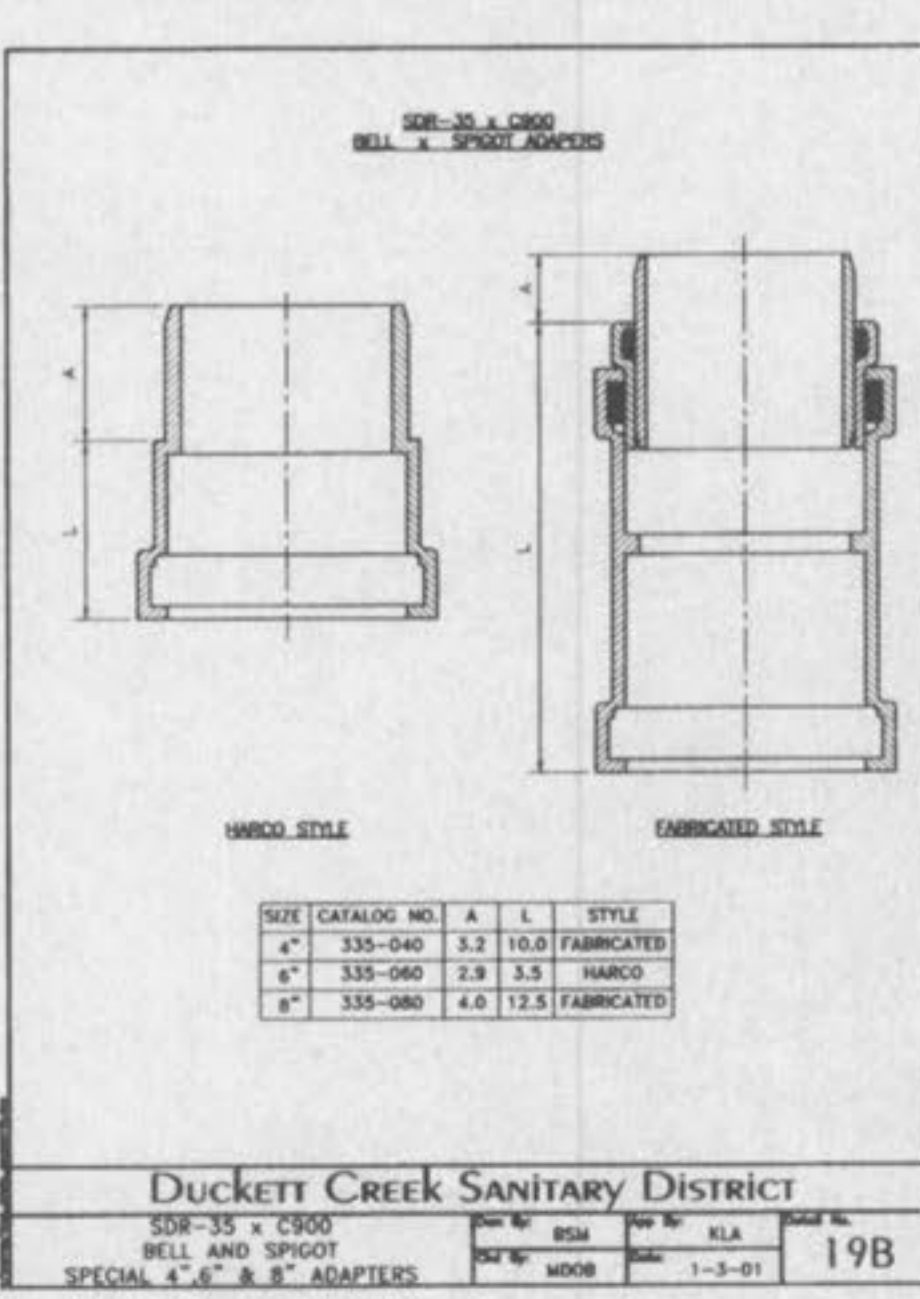
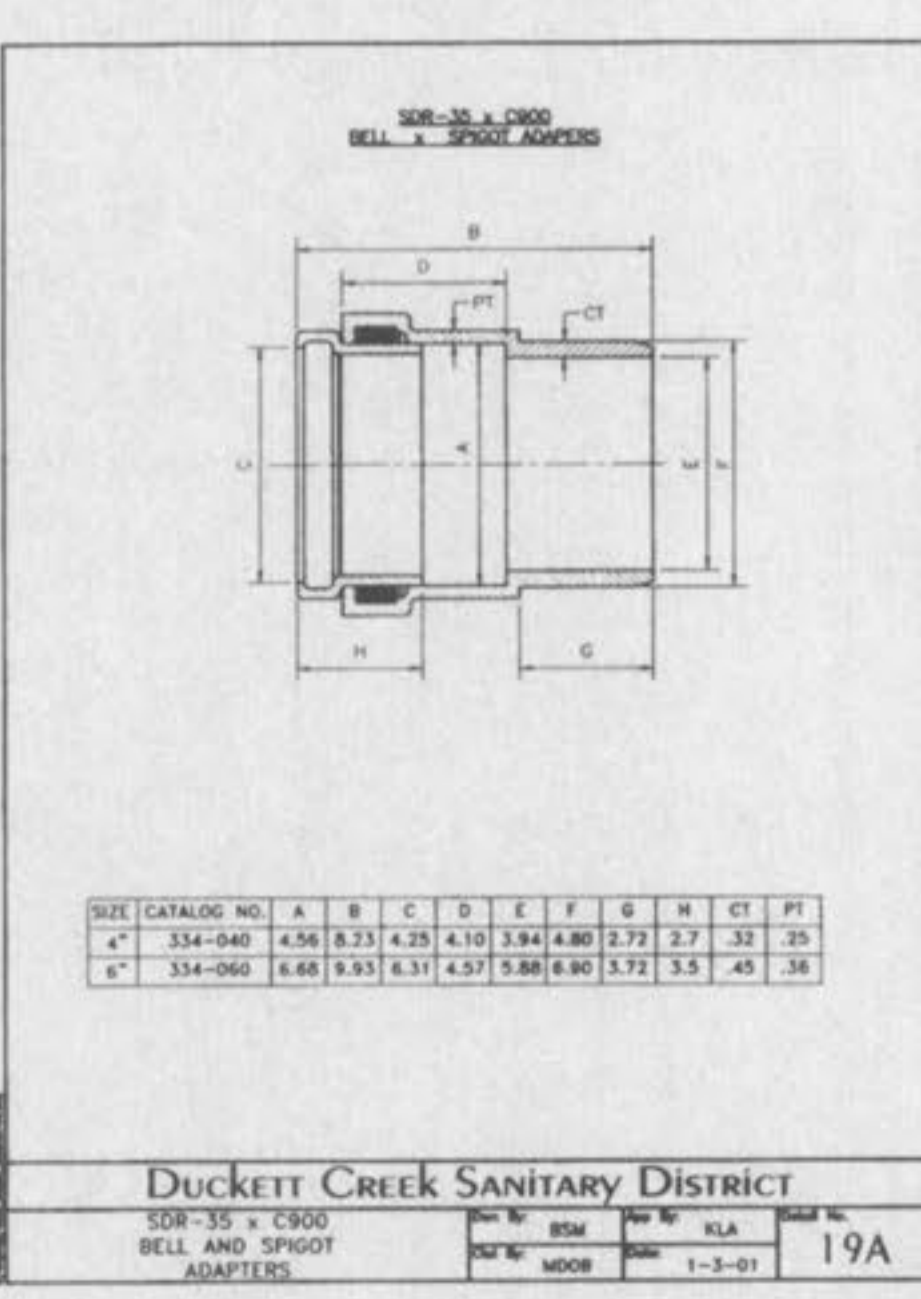
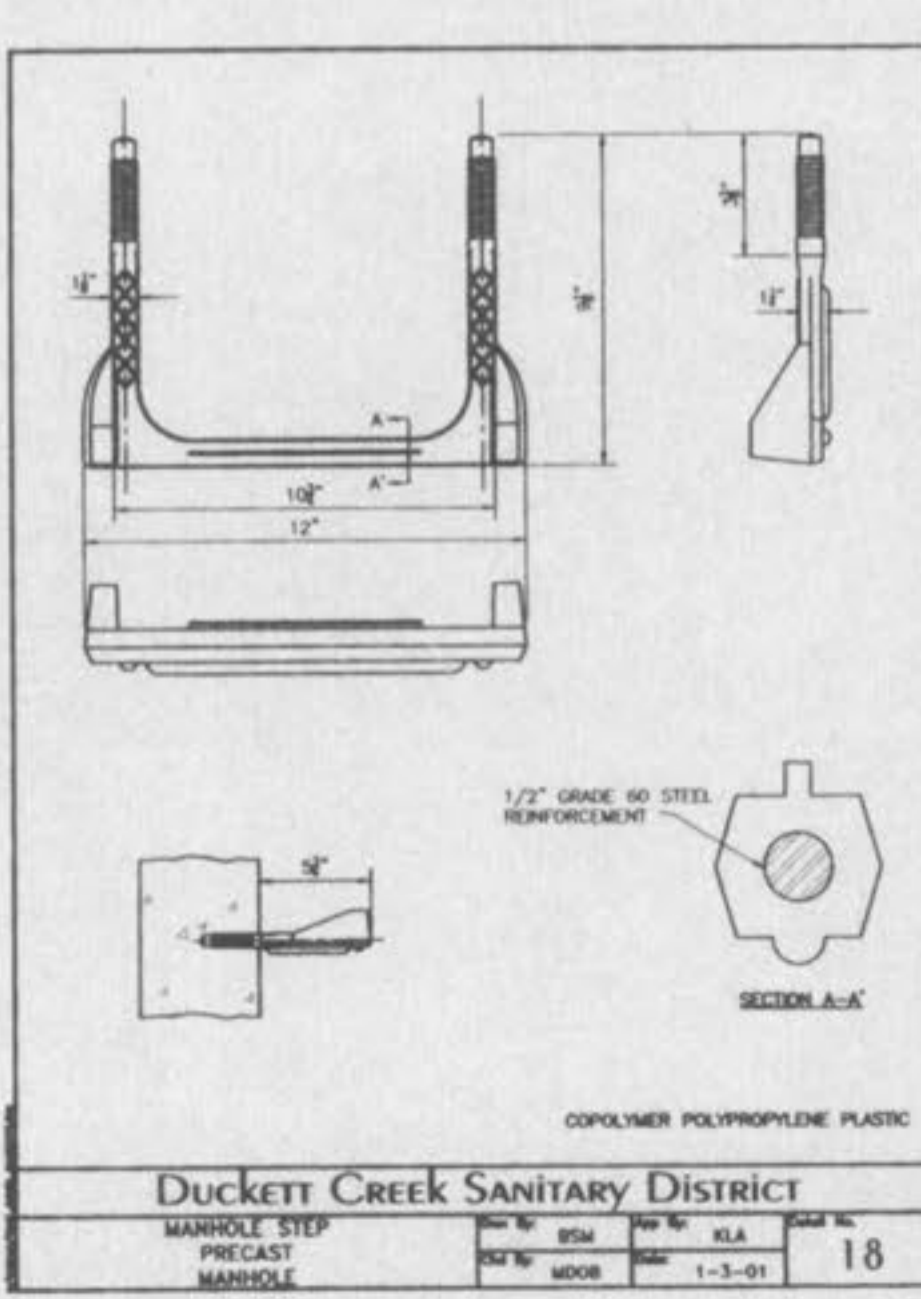
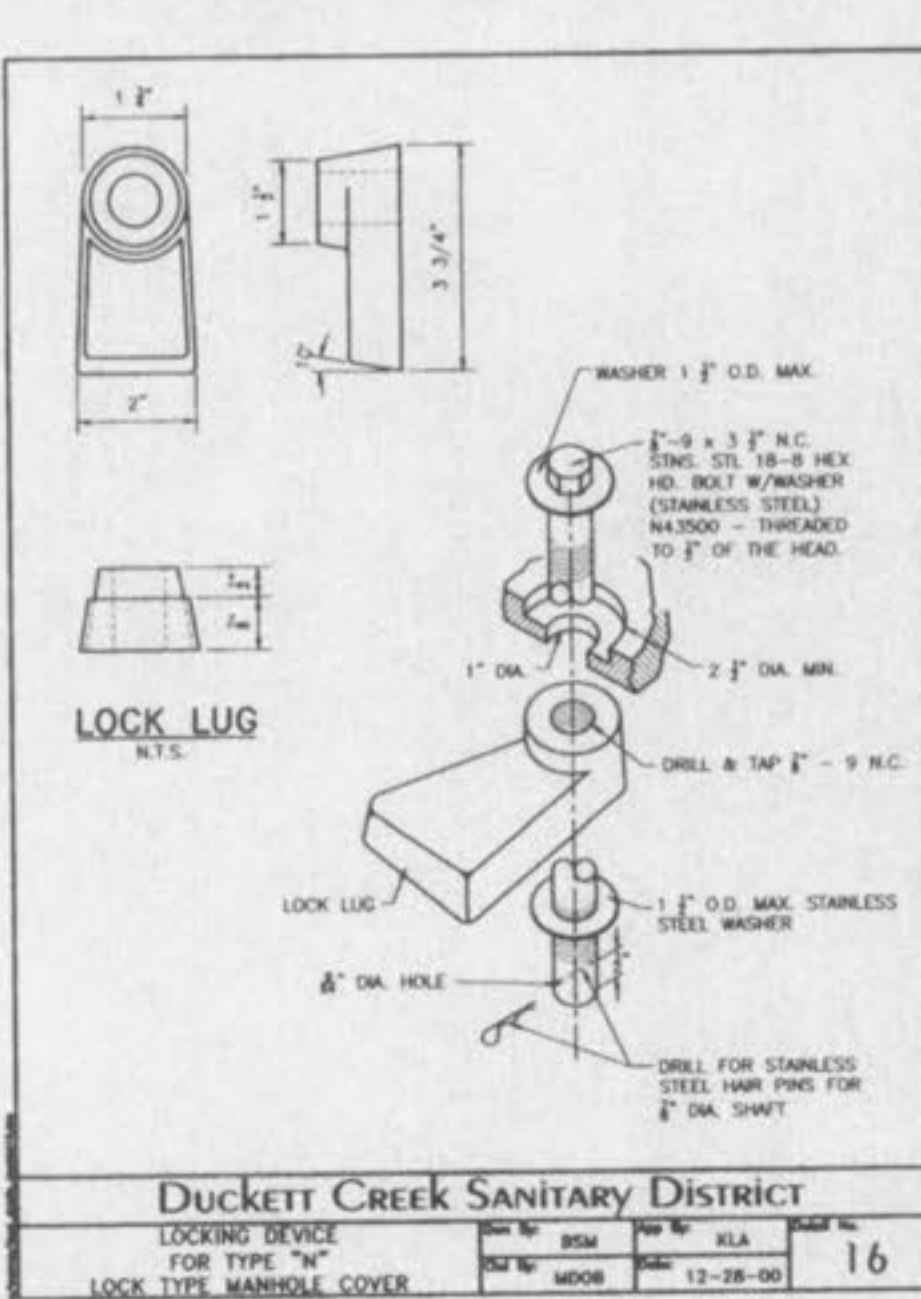
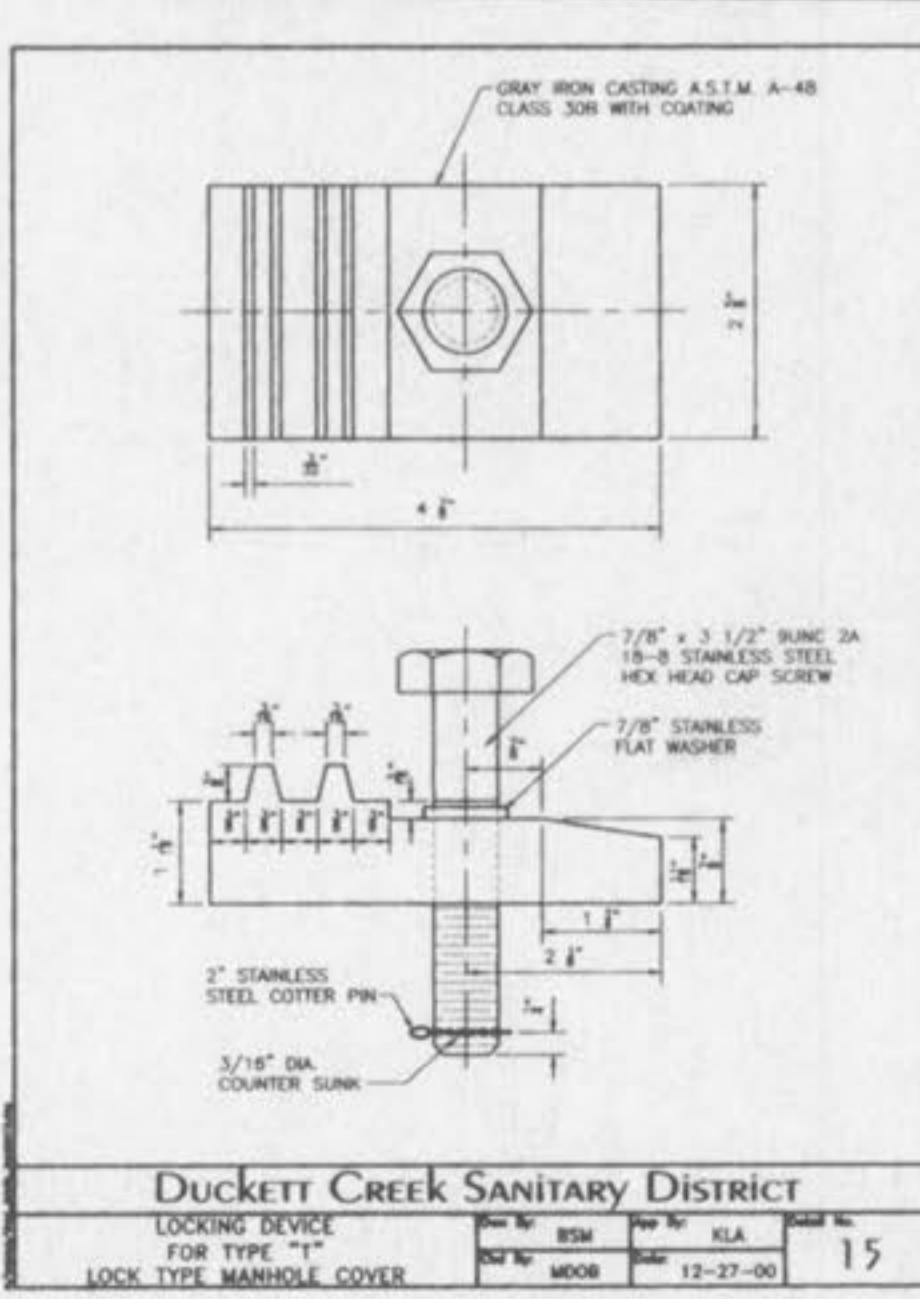
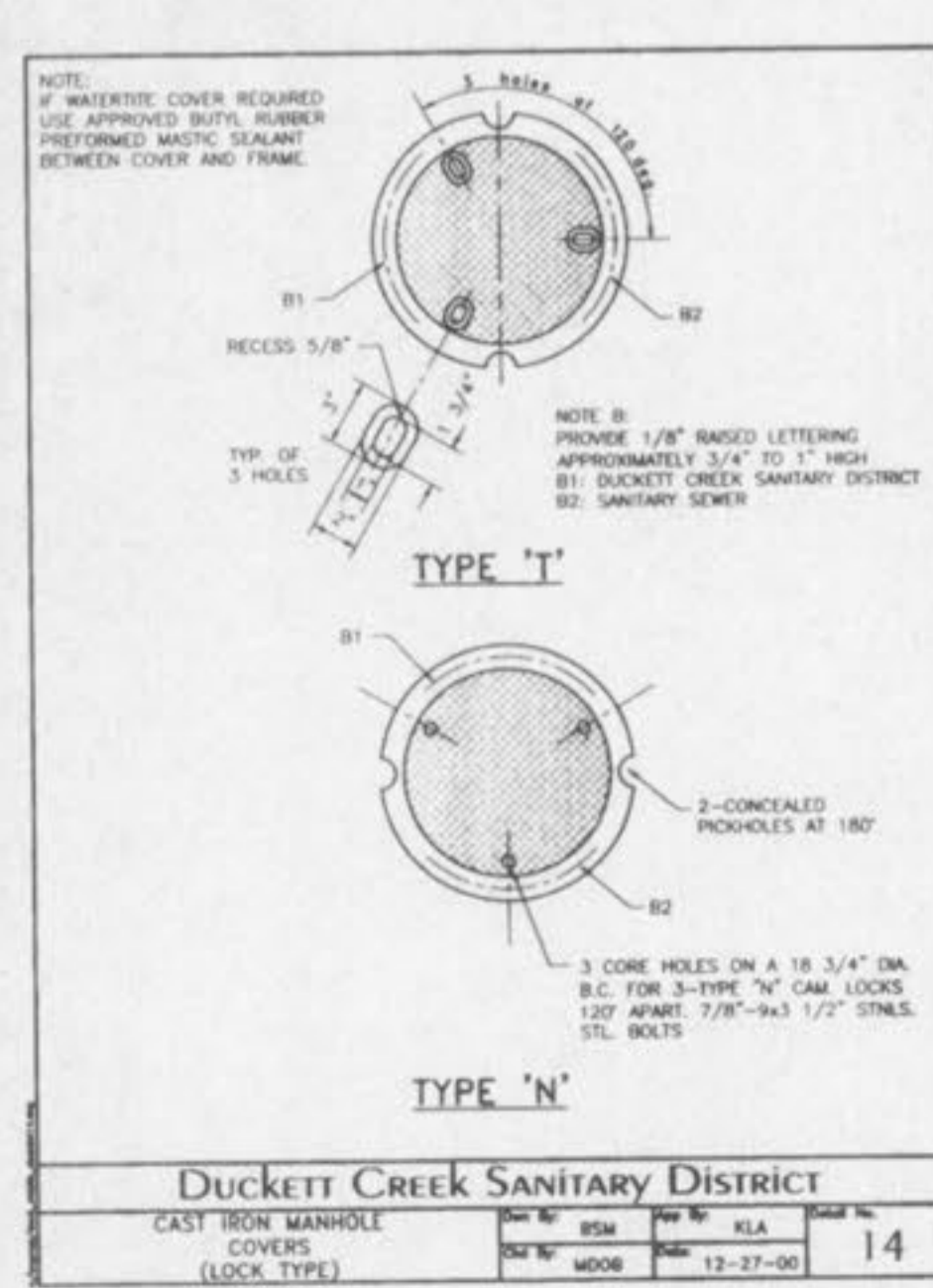
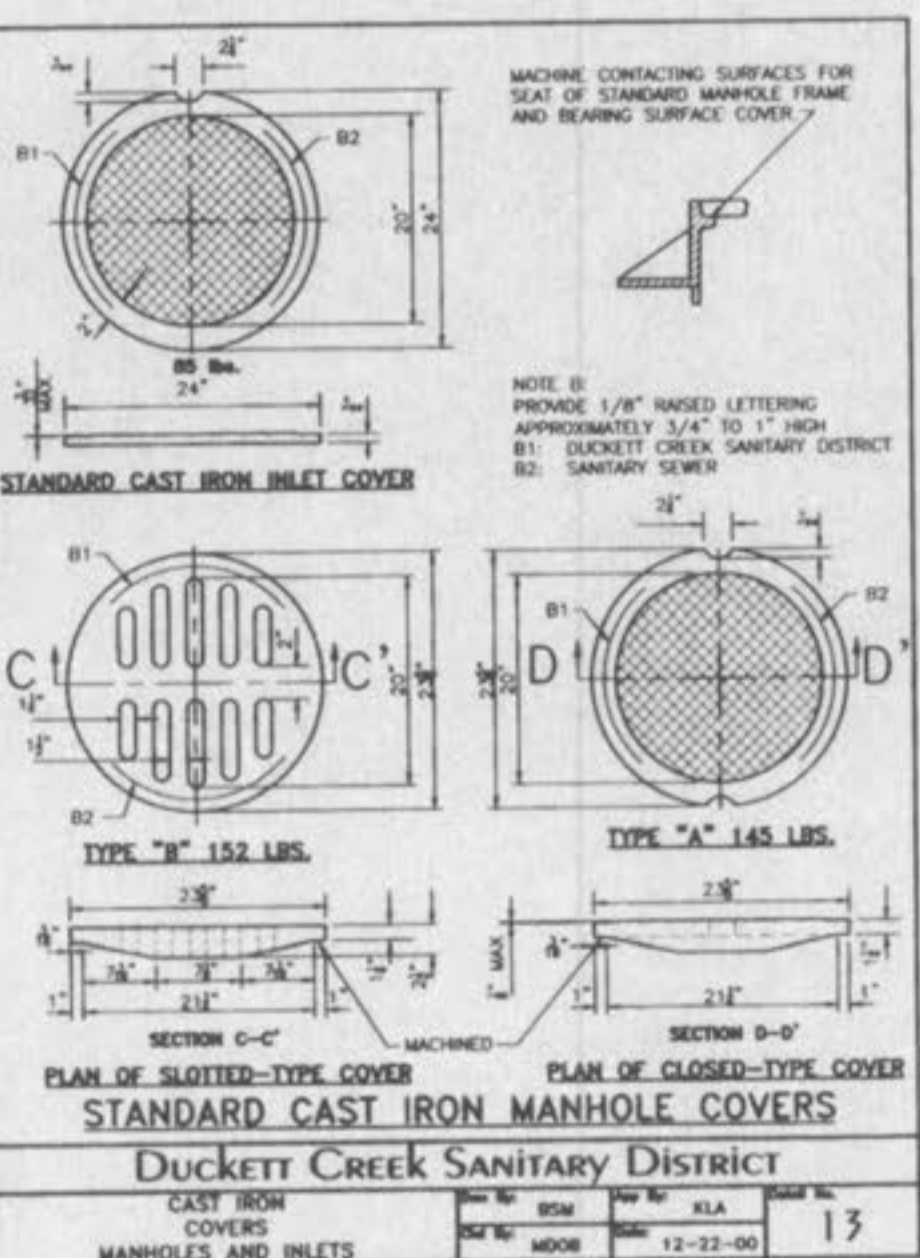
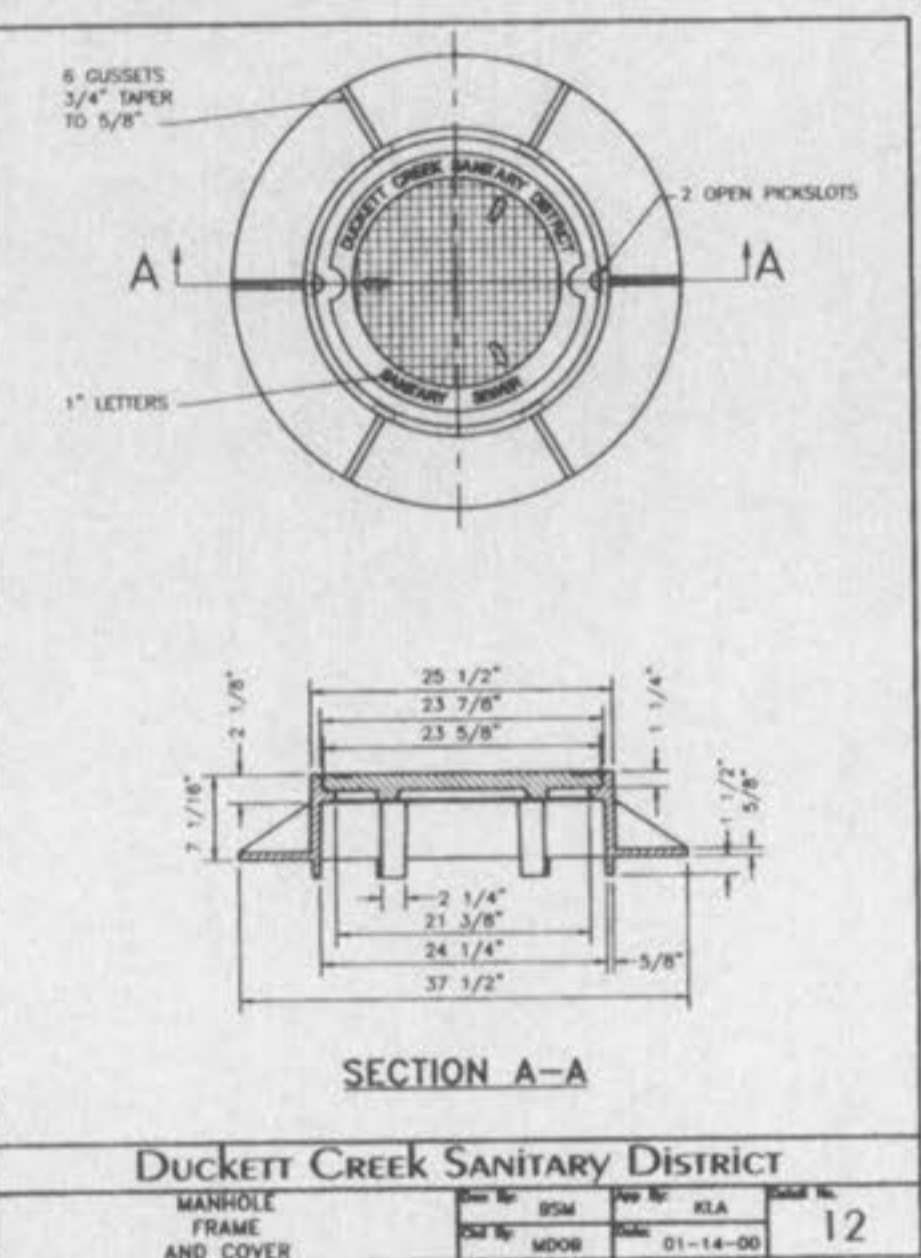
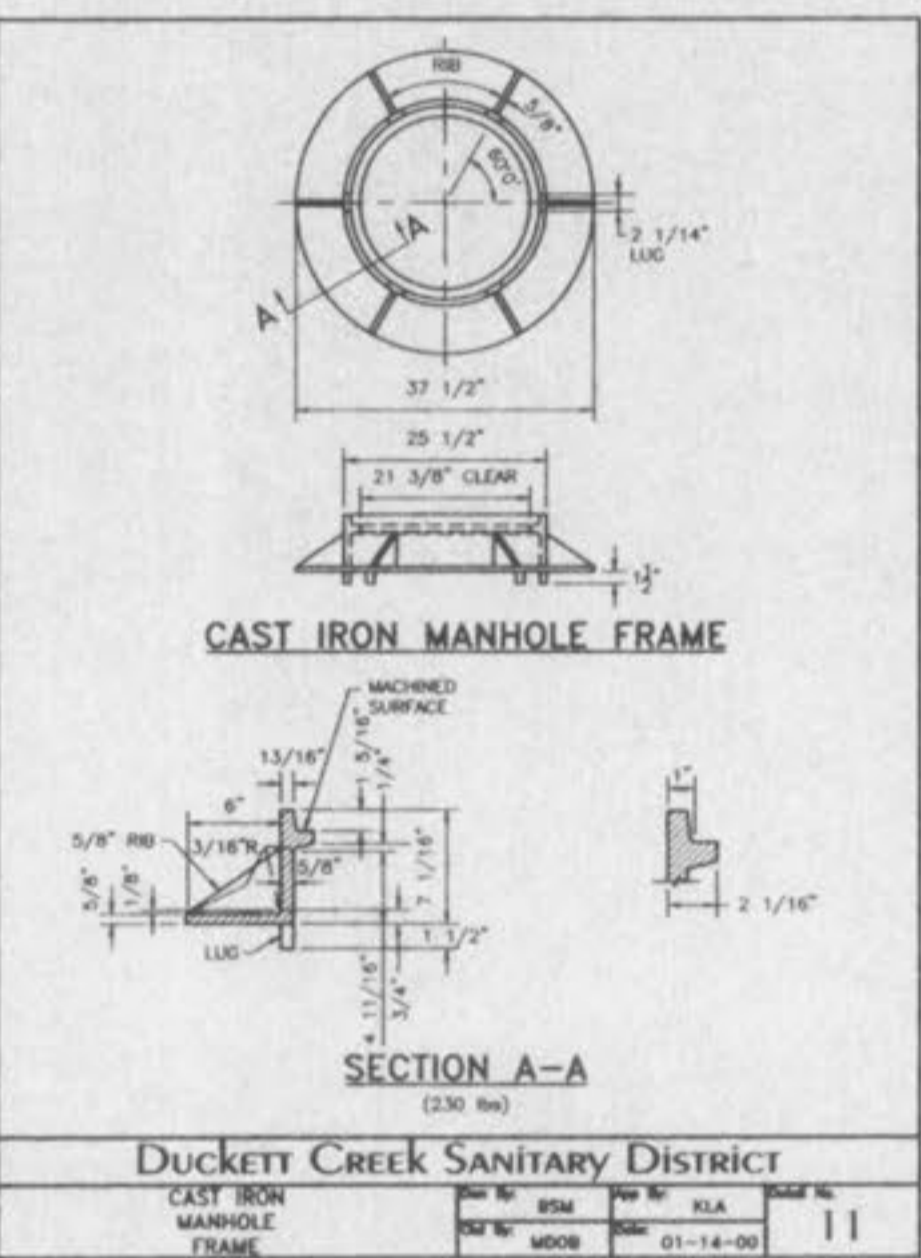
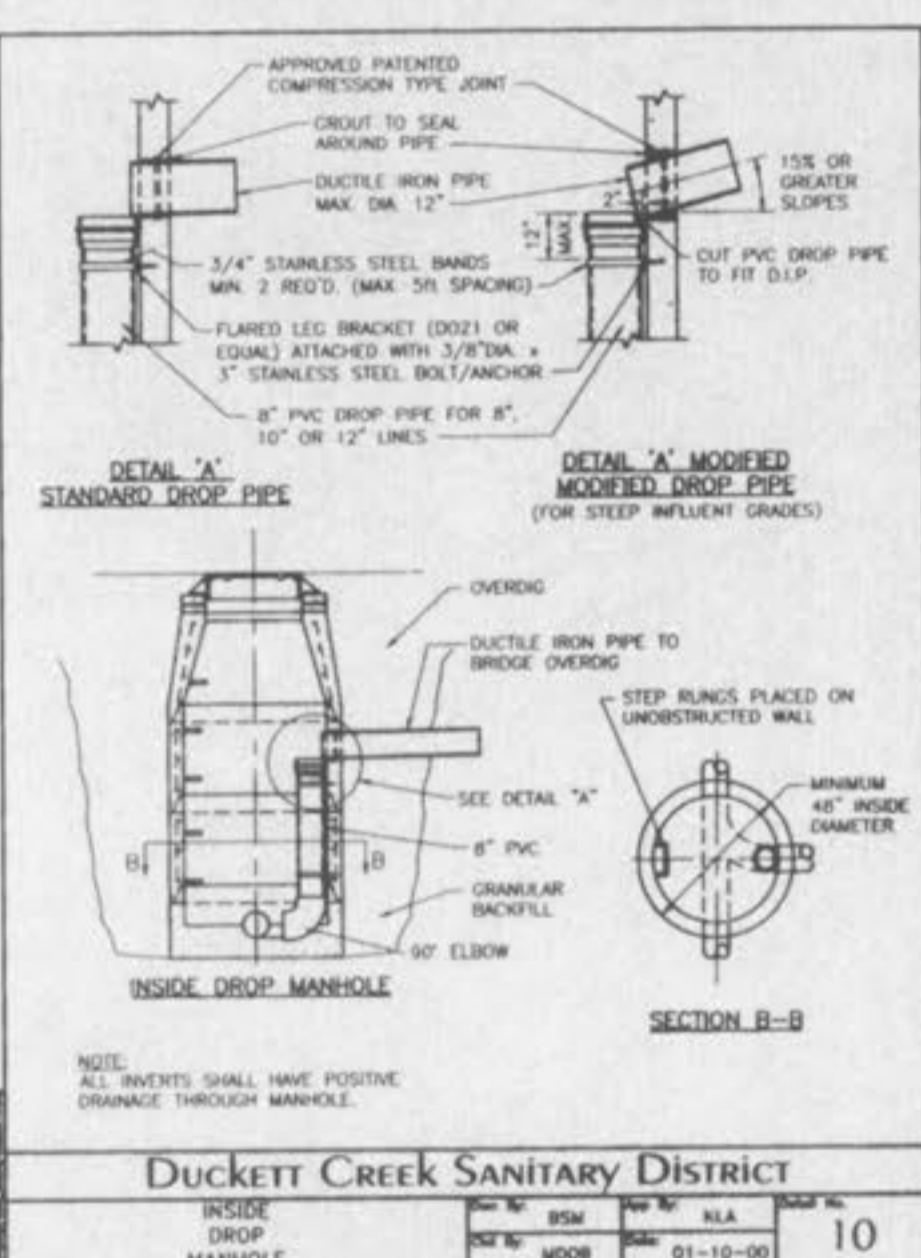
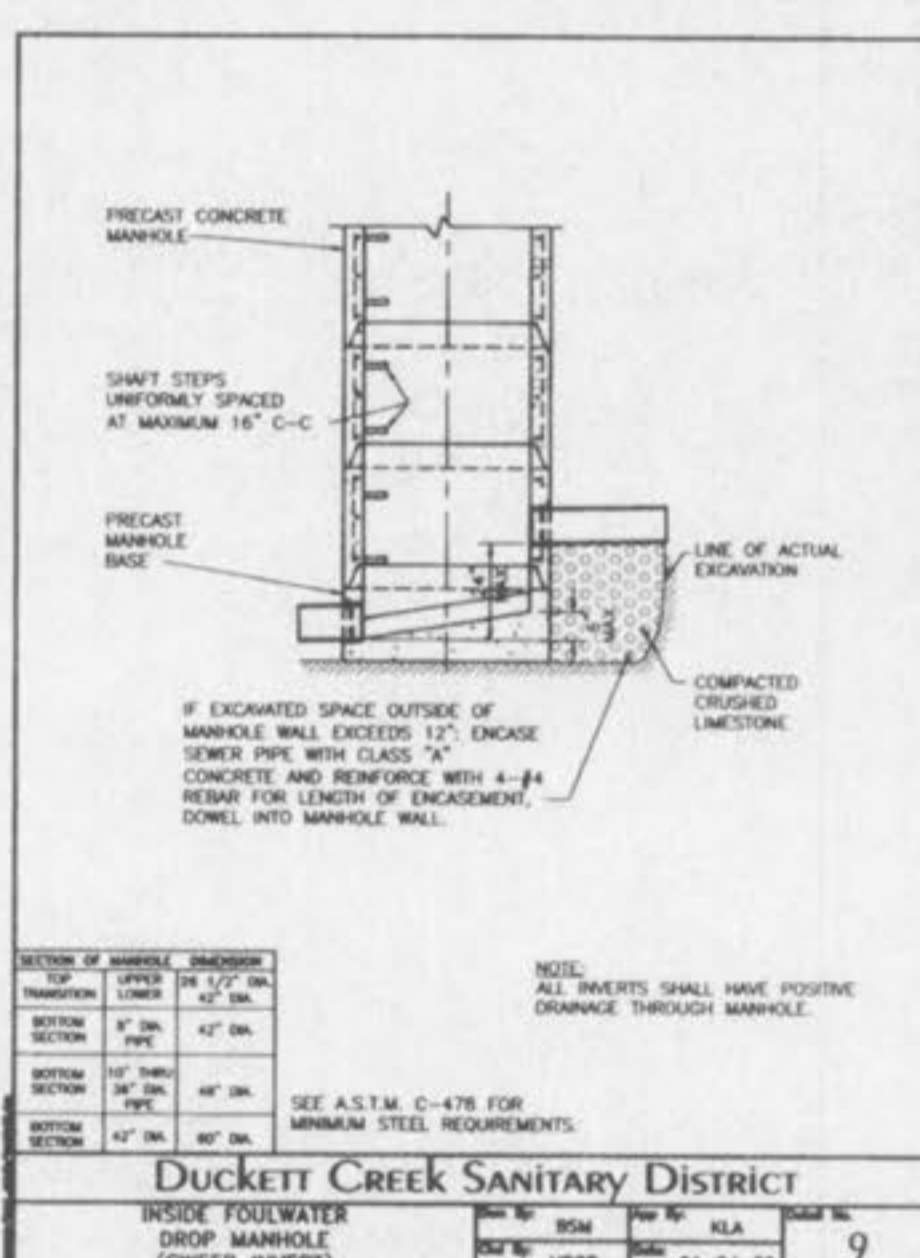
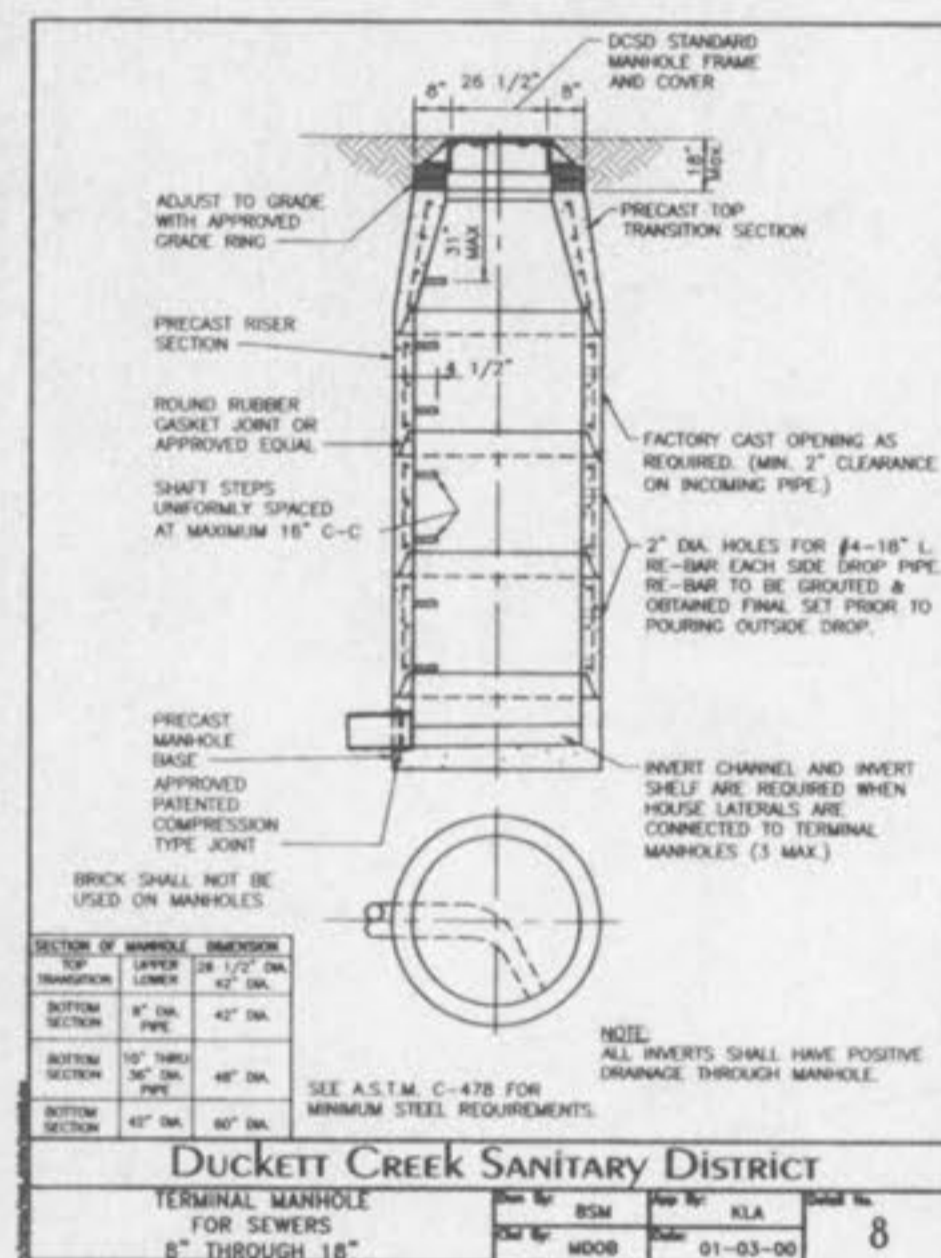
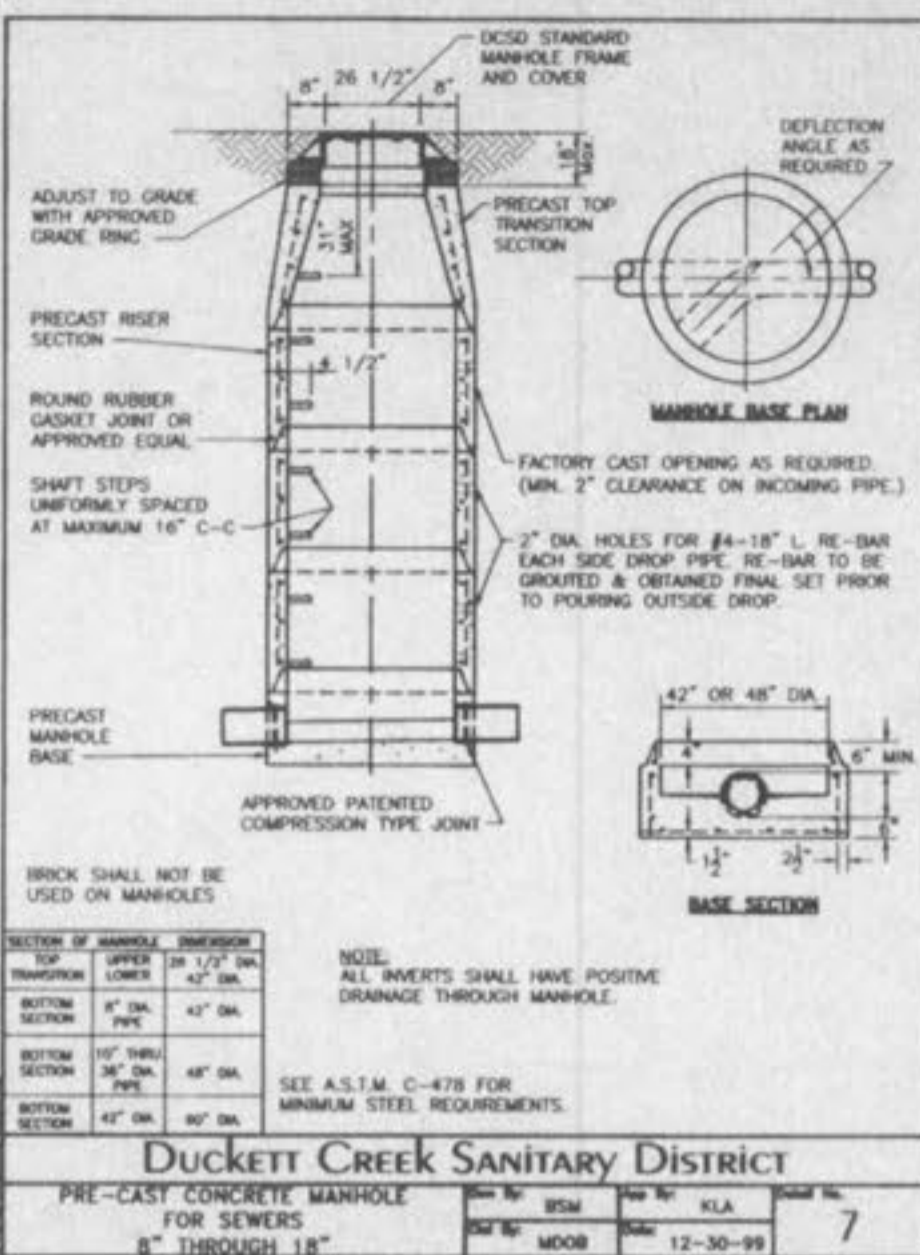
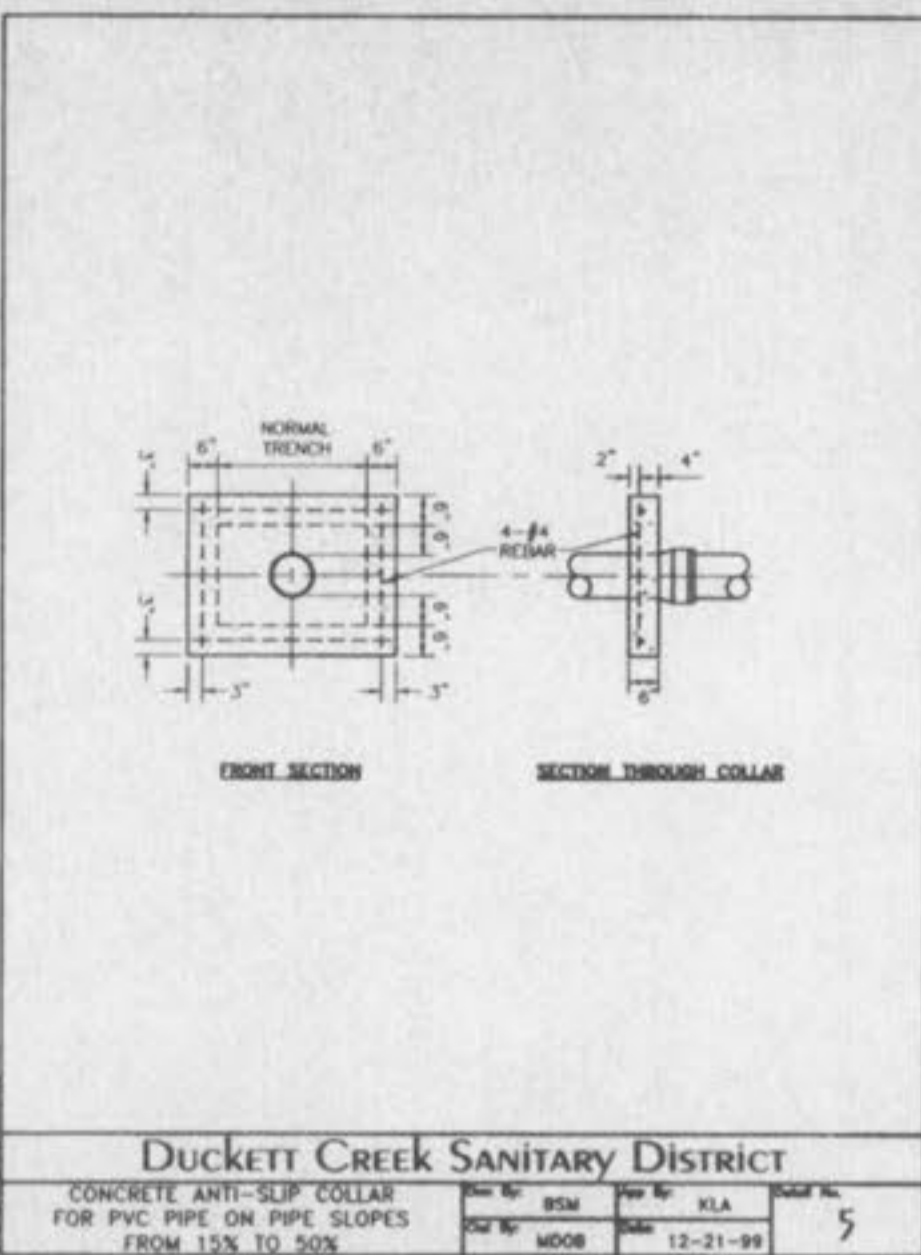
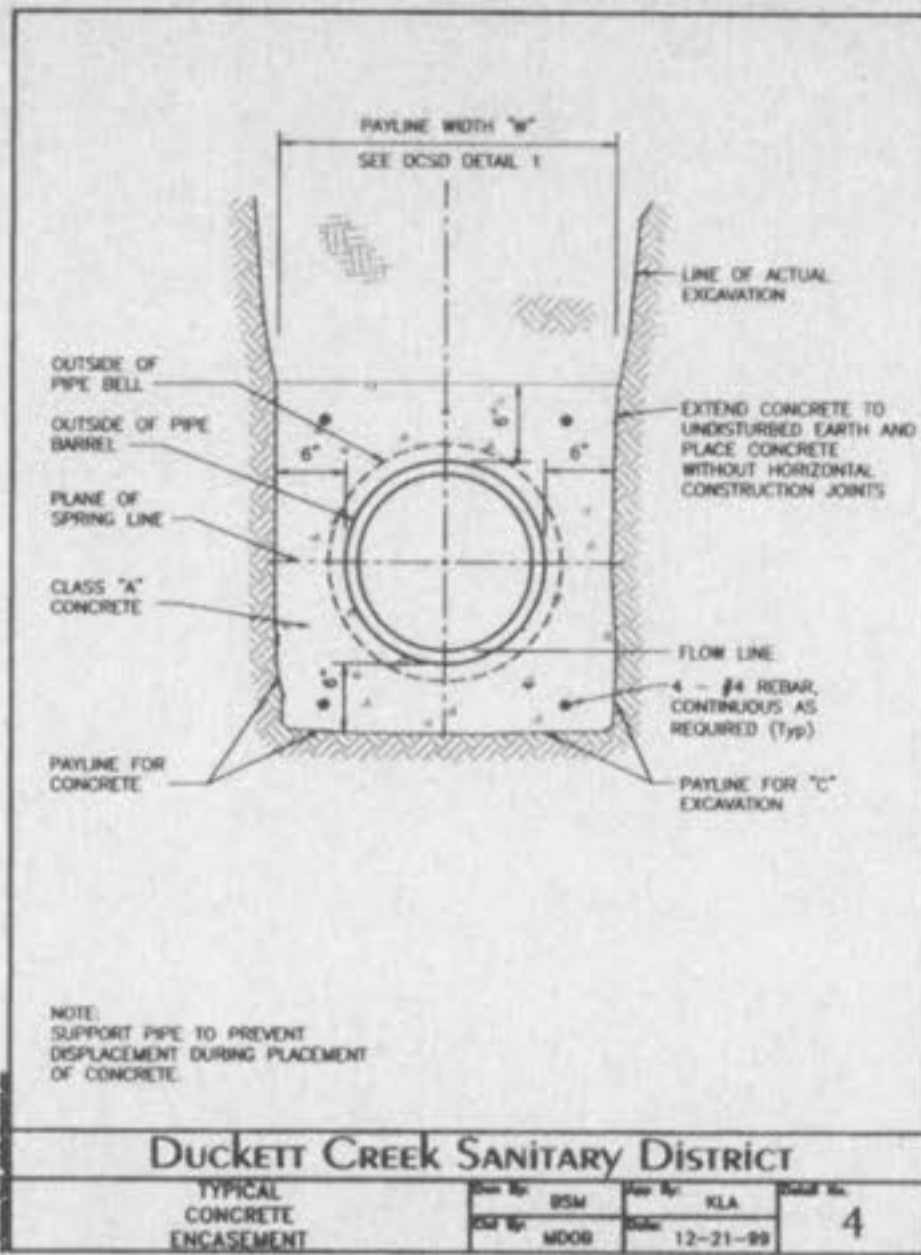
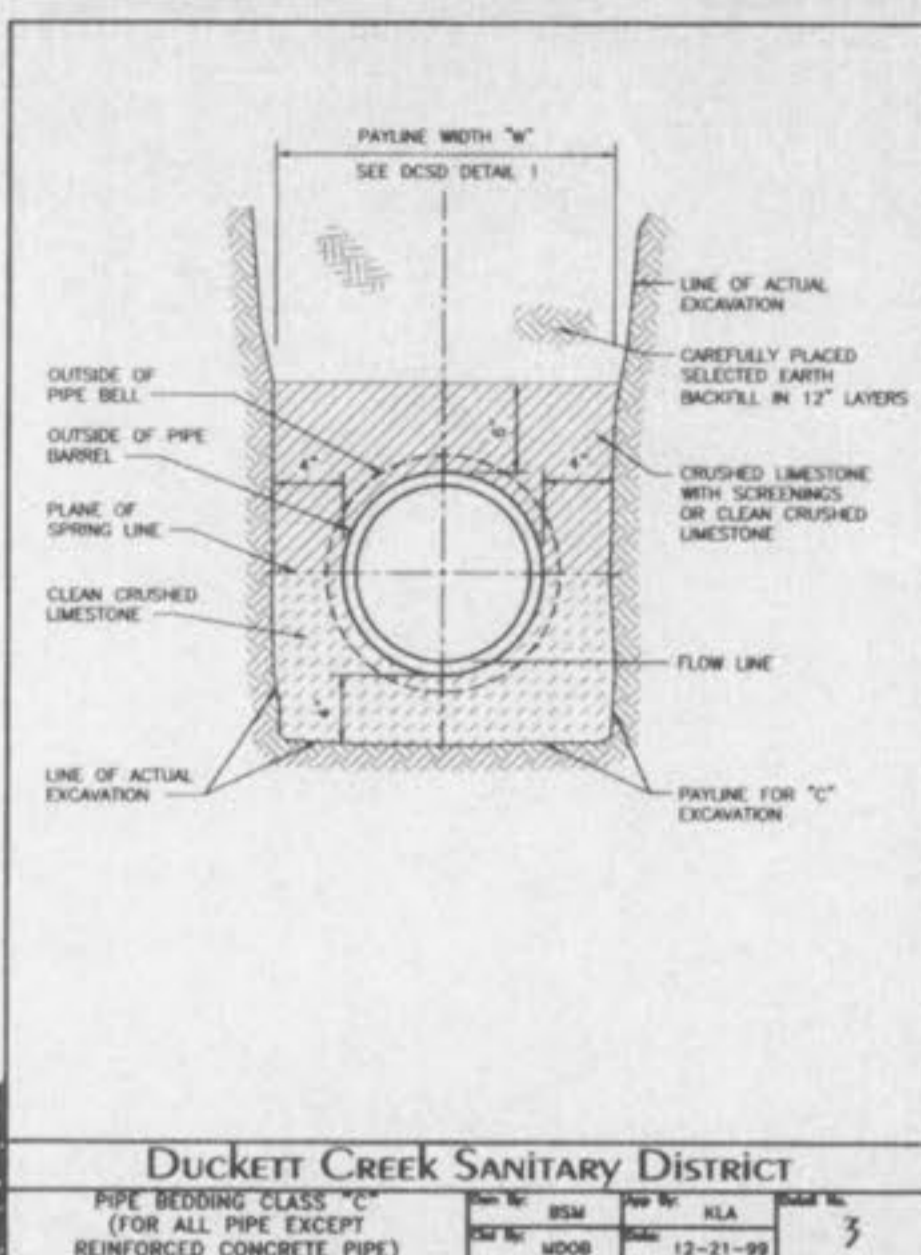
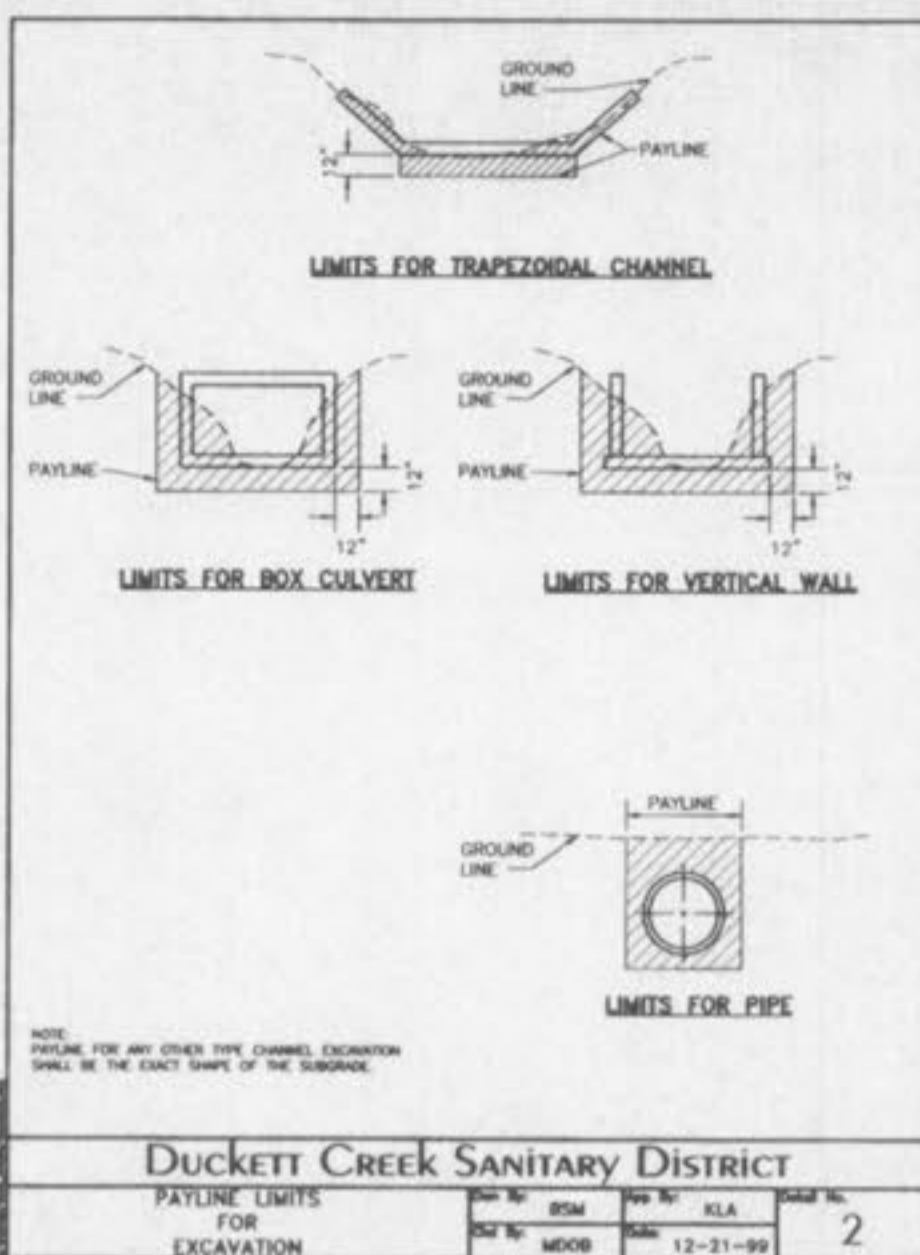


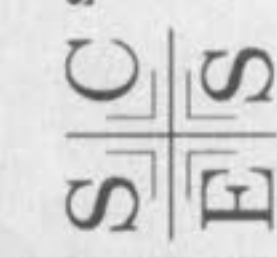
ROUND PIPE				HORIZONTAL ELLIPTICAL PIPE			
INSIDE DIAMETER OF PIPE (INCHES)	PAVING WIDTH OF TRENCH (INCHES)	PAVING WIDTH OF TRENCH (FEET)	PAVING VOLUMES CU. FT. PER FT. OF PIPE	INSIDE DIAMETER OF PIPE (INCHES)	PAVING WIDTH OF TRENCH (INCHES)	PAVING WIDTH OF TRENCH (FEET)	PAVING VOLUMES CU. FT. PER FT. OF PIPE
4	30	2.50	3.28				
6	30	2.50	3.59				
8	30	2.50	3.87				
10	30	2.50	4.08				
12	30	2.50	4.25				
15	36	3.00	5.55				
18	36	3.00	5.77	14 x 23	41	3.42	5.94
21	39	3.25	6.61				
24	42	3.50	7.59	19 x 30	49	4.08	7.68
27	45	3.75	8.18	22 x 34	53	4.42	8.61
30	49	4.08	9.30	24 x 38	58	4.83	9.70
33	53	4.42	10.53	27 x 42	62	5.17	10.71
36	56	4.67	11.43	29 x 45	66	5.50	11.72
39							
42	63	5.25	13.38	34 x 53	75	6.25	14.25
48	70	5.83	15.67	38 x 60	83	6.92	16.18
54	77	6.42	18.15	43 x 68	92	7.67	18.81
60	84	7.00	20.73	48 x 76	101	8.42	21.50
66	91	7.58	23.45	53 x 83	109	9.08	24.35
72	98	8.17	26.37	58 x 91	118	9.83	27.45
78	105	8.75	29.38	63 x 98	128	10.50	30.50
84	112	9.33	32.57	68 x 106	135	11.25	33.91
90	119	9.92	35.90	72 x 113	143	11.92	36.99
96	126	10.50	39.37	77 x 121	152	12.67	40.89
102	133	11.08	42.99	82 x 129	160	13.33	44.45
108	140	11.67	46.75	87 x 138	168	14.00	47.79
114	147	12.25	50.66	92 x 143	176	14.67	51.70
120	154	12.83	54.72	97 x 151	185	15.42	56.01
126	161	13.42	58.92				
132	168	14.00	63.27	106 x 166	202	16.83	64.48
144	182	15.17	72.40	116 x 180	218	18.17	73.59

**Duckett Creek Sanitary District**  
PAVING WIDTHS OF TRENCH AND PAY-QUANTITIES OF CONCRETE



IMPROVEMENT PLANS  
PEACEFUL VALLEY  
SANITARY DETAILS 1

ST. CHARLES ENGINEERING & SURVEYING, INC.  
801 S. FIFTH STREET, SUITE 202  
ST. CHARLES, MO 63301  
TEL: (636) 947-0607 FAX: (636) 947-2448



ORDER NO. 020890  
DATE 07/25/08  
12