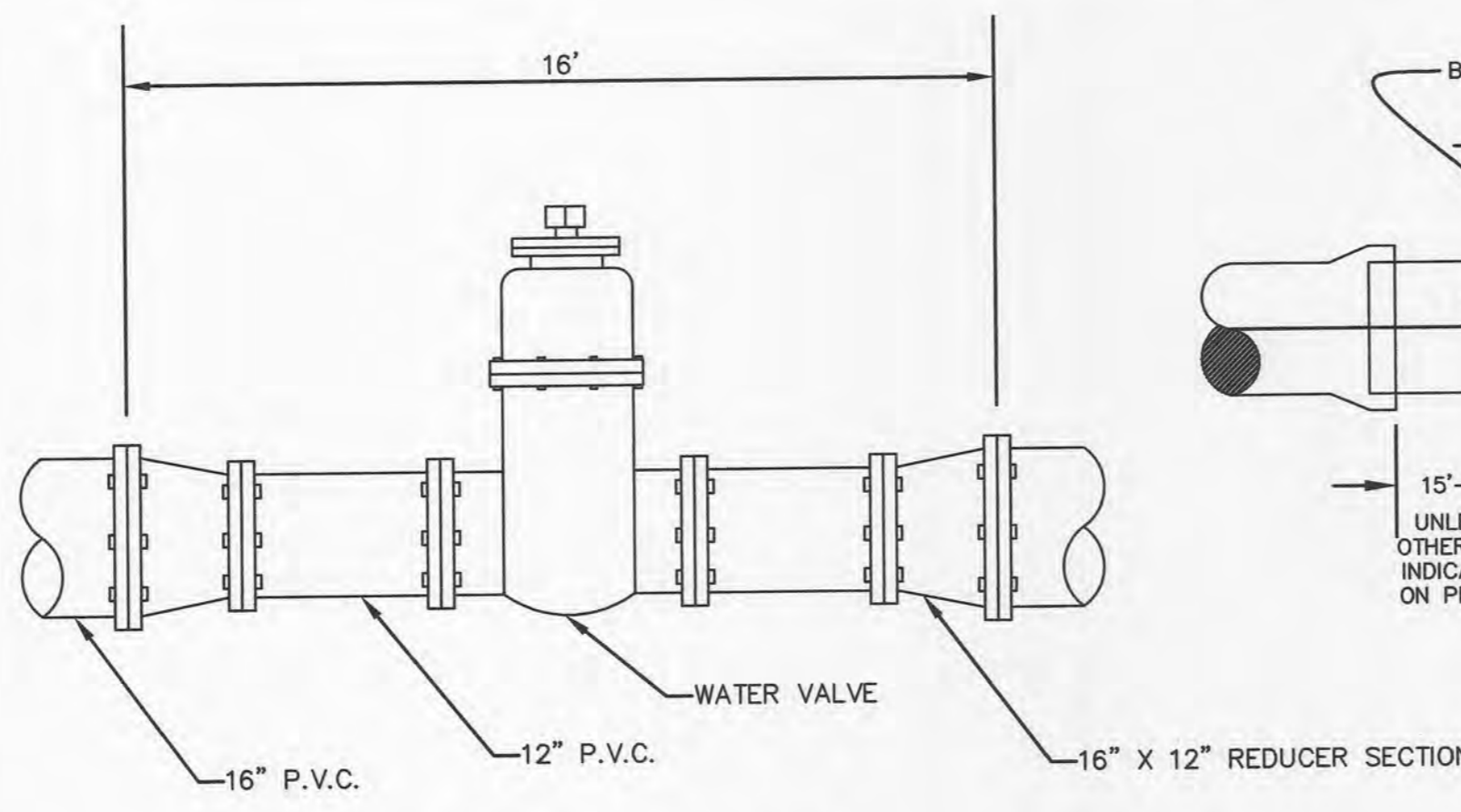
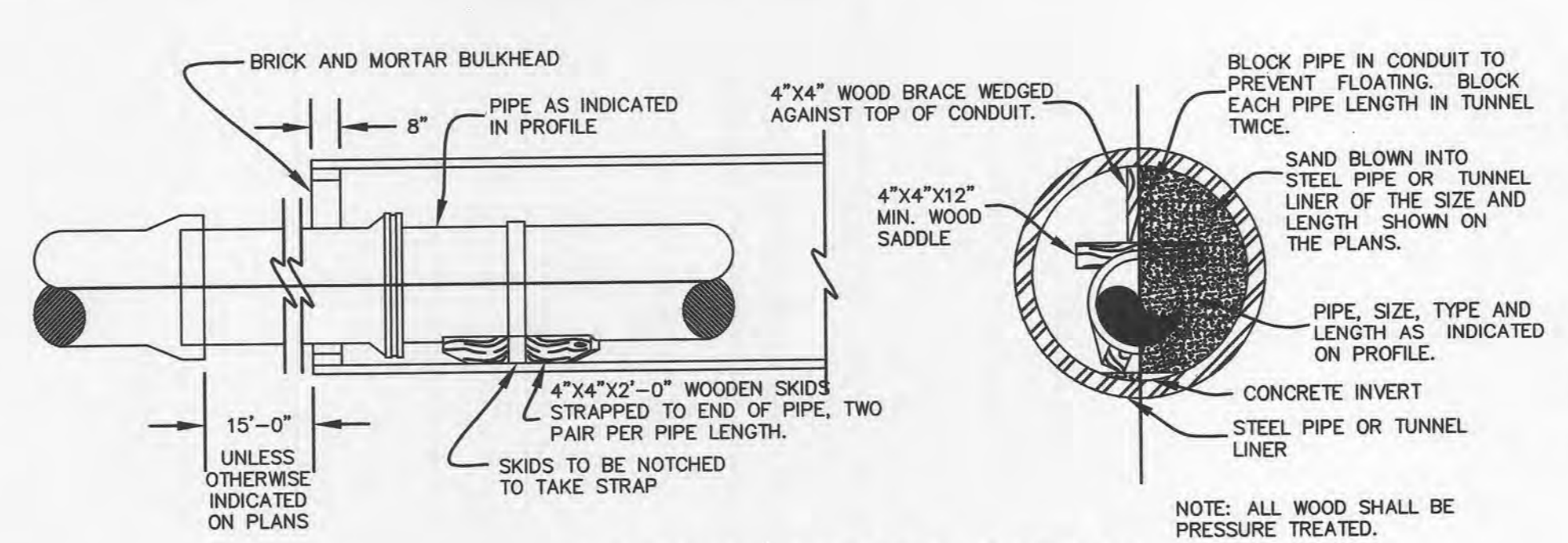


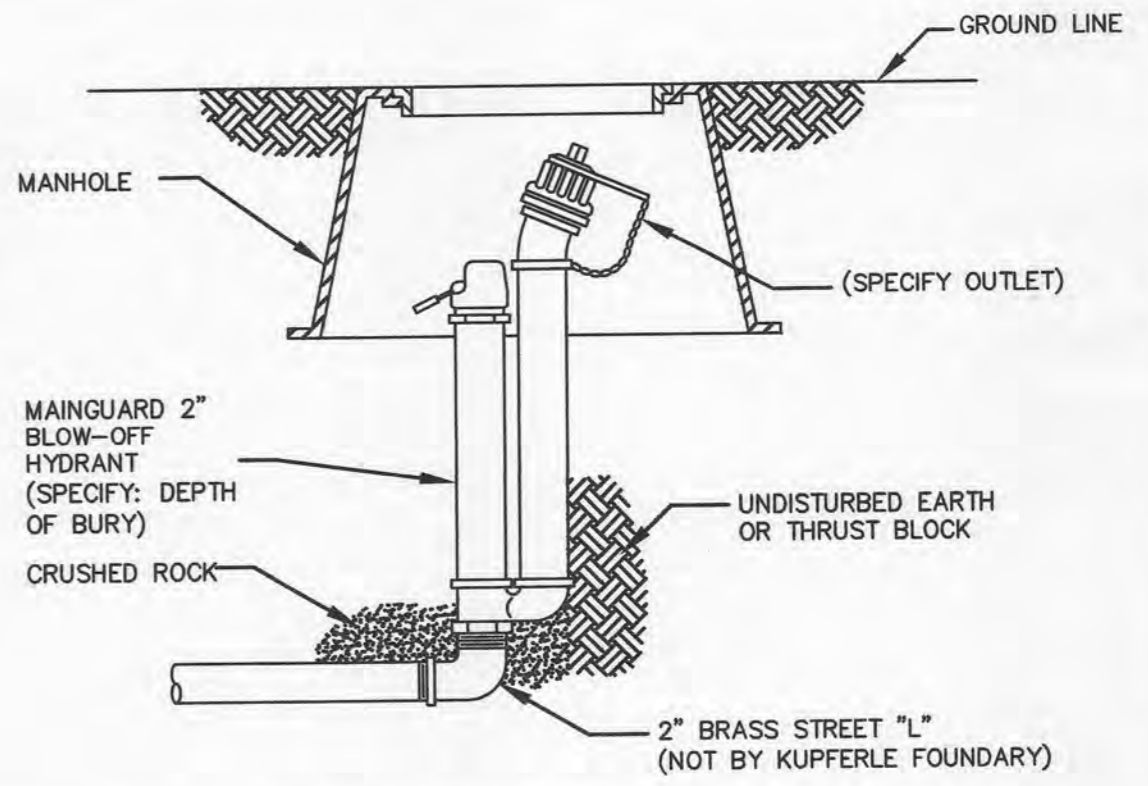
TYPICAL WATER MAIN AND FIRE HYDRANT LOCATIONS
NOT TO SCALE



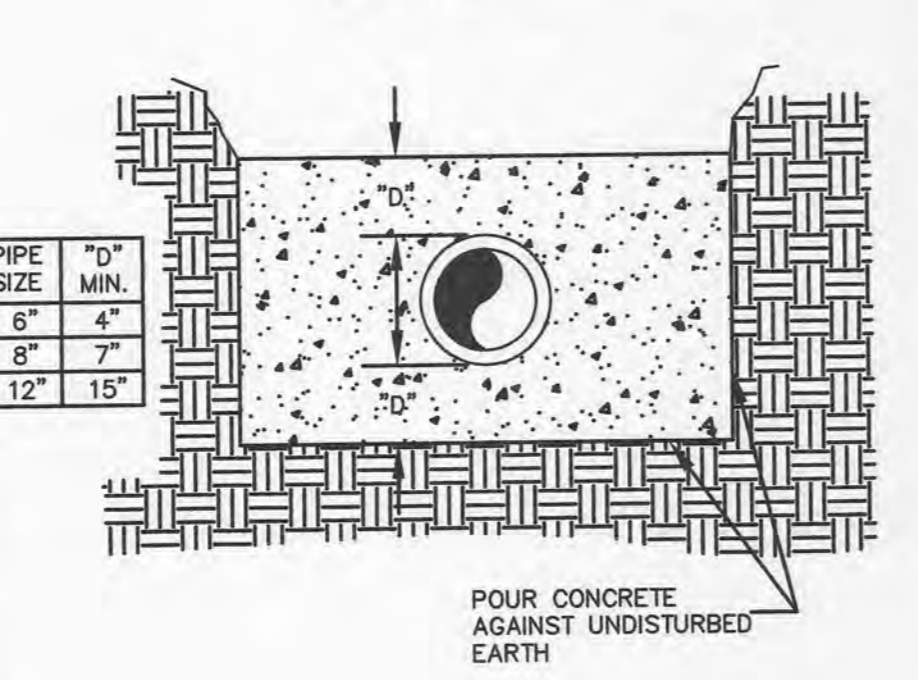
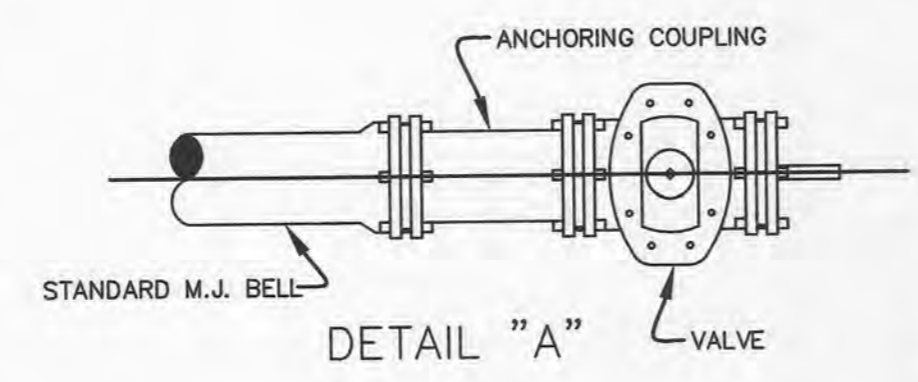
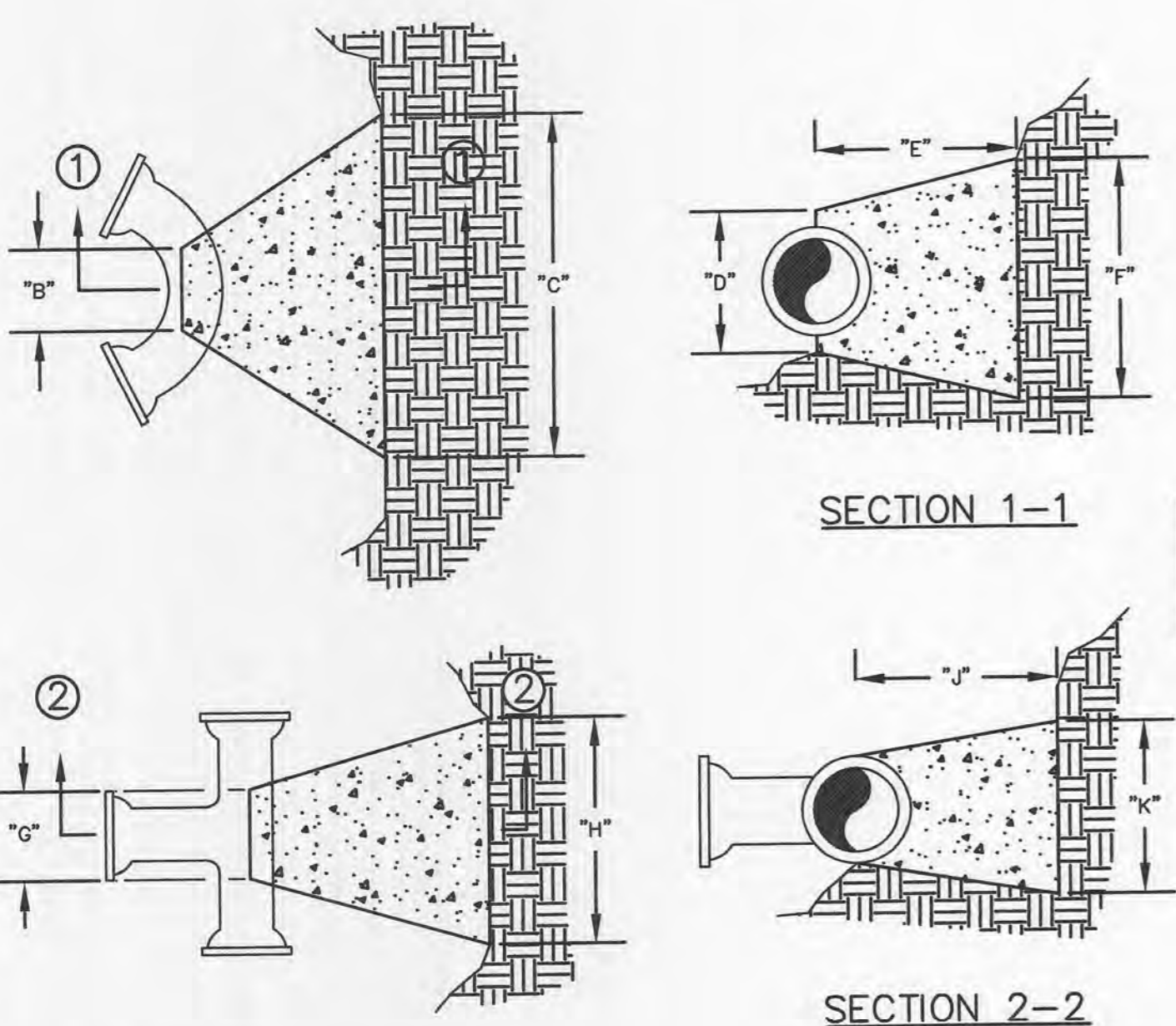
REDUCER DETAIL
NOT TO SCALE



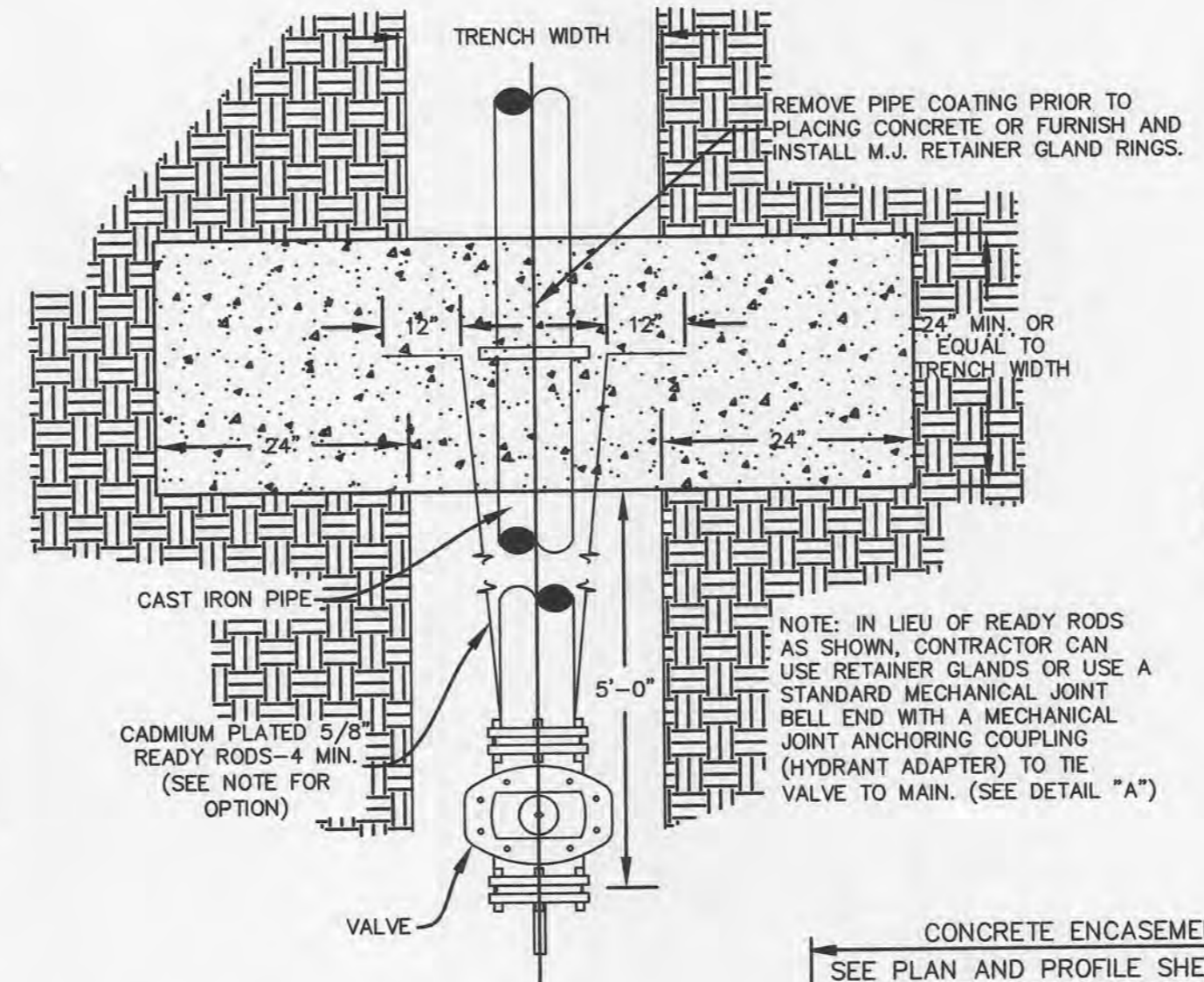
TUNNEL LINER DETAIL
NOT TO SCALE



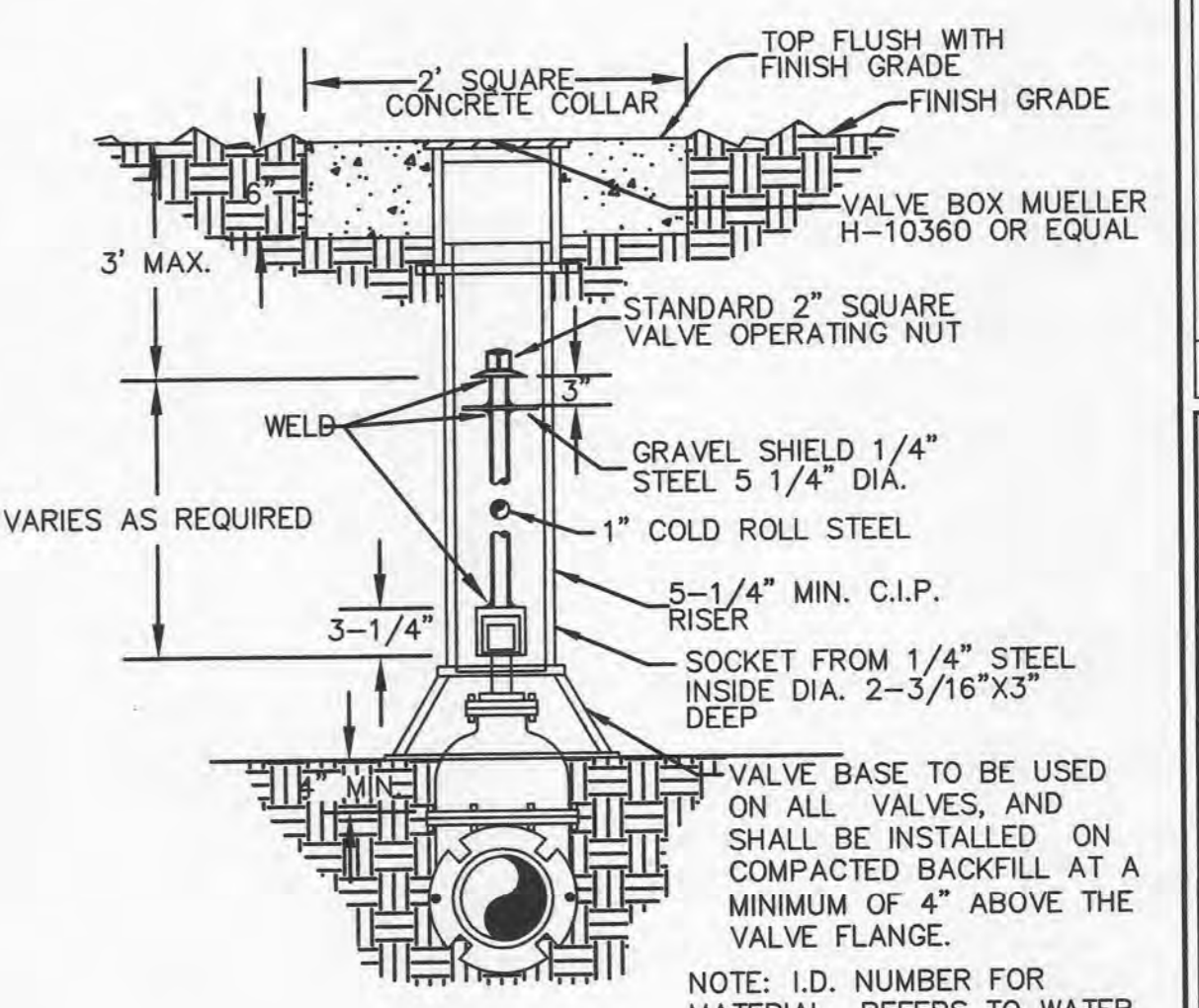
BLOW-OFF HYDRANT
NOT TO SCALE



STRADDLE BLOCK DETAIL
NOT TO SCALE



TOP VIEW CONCRETE COLLAR
NOT TO SCALE

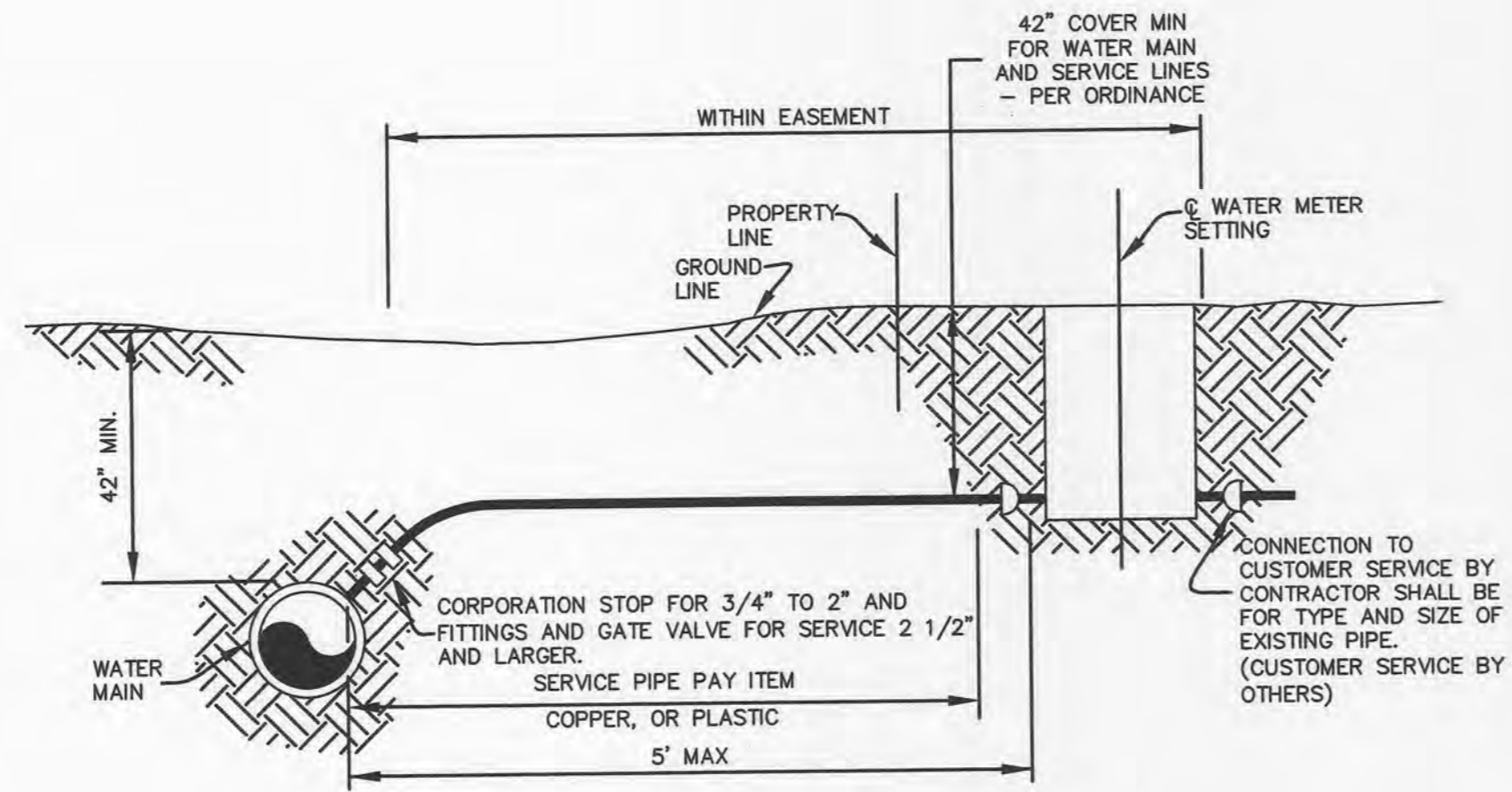


WATER VALVE DETAIL
(12" PIPE OR SMALLER)
NOT TO SCALE

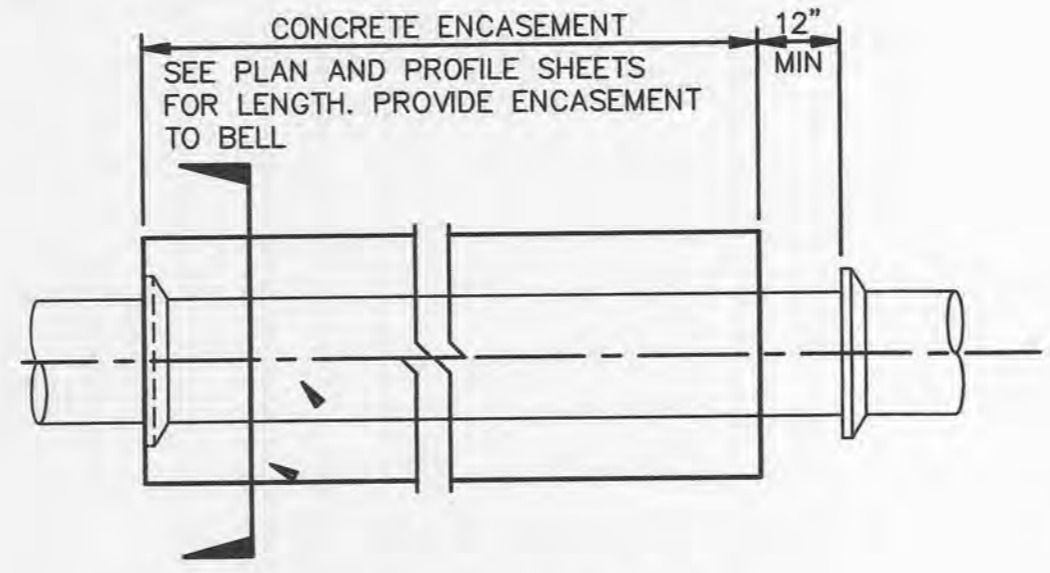
BENDS	"B"	"C"	"D"	"E"	"F"
6"-11 1/4"	8"	15"	12"	24"	10"
6"-22 1/2"	8"	19"	12"	24"	13"
6"-45"	8"	30"	12"	24"	15"
6"-90"	8"	30"	12"	24"	28"
8"-11 1/4"	8"	20"	12"	24"	10"
8"-22 1/2"	8"	22"	12"	24"	18"
8"-45"	8"	31"	12"	24"	24"
8"-90"	8"	38"	12"	24"	36"
12"-11 1/4"	8"	30"	12"	24"	15"
12"-22 1/2"	8"	35"	12"	24"	25"
12"-45"	8"	40"	12"	24"	40"
12"-90"	8"	60"	12"	24"	52"
16"-11 1/4"	TL	28"	20"	24"	28"
16"-22 1/2"	TL	39"	20"	24"	39"
16"-45"	TL	55"	20"	24"	55"
16"-90"	TL	91"	20"	24"	60"
20"-11 1/4"	TL	34"	24"	28"	40"
20"-22 1/2"	TL	48"	24"	28"	39"
20"-45"	TL	74"	24"	28"	55"
20"-90"	TL	136"	24"	28"	60"
24"-11 1/4"	TL	40"	28"	28"	40"
24"-22 1/2"	TL	56"	28"	28"	56"
24"-45"	TL	101"	28"	28"	60"
24"-90"	TL	186"	28"	28"	60"
30"-11 1/4"	TL	49"	34"	30"	49"
30"-22 1/2"	TL	79"	34"	30"	60"
30"-45"	TL	154"	34"	30"	60"
30"-90"	TL	285"	34"	30"	60"

TEES	"G"	"H"	"J"	"K"
6"x6"x6"	12"	24"	24"	18"
8"x8"x8"	12"	24"	24"	18"
8"x8"x8"	12"	27"	24"	27"
12"x12"x6"	12"	24"	24"	18"
12"x12"x8"	12"	27"	27"	27"
12"x12"x12"	12"	38"	24"	38"
24"x24"x16"	16"	53"	28"	53"

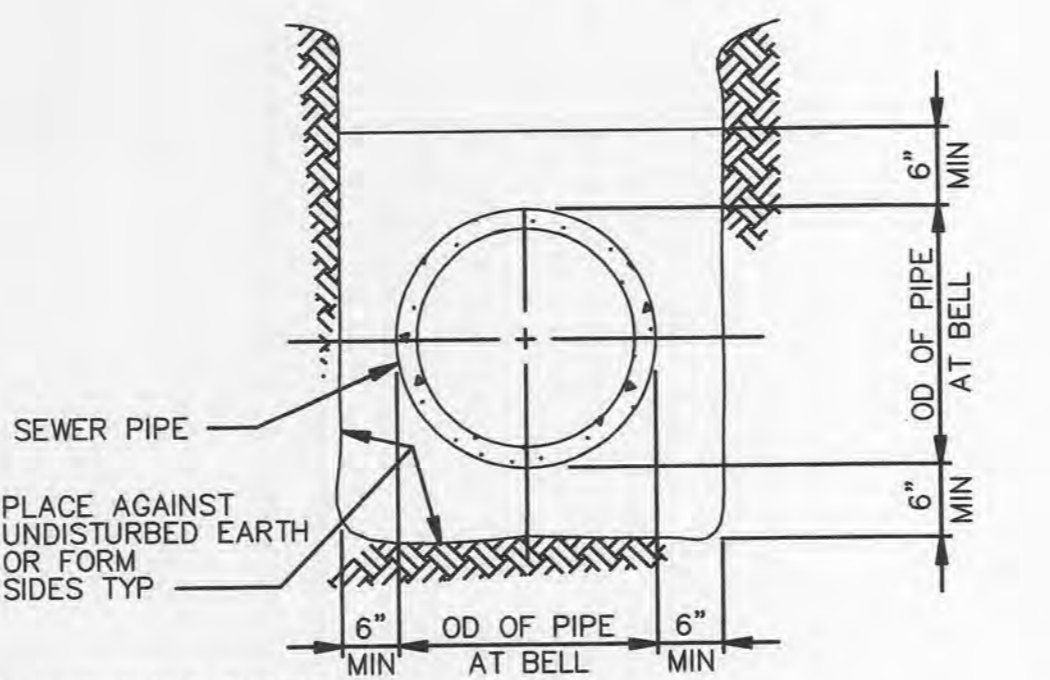
NOTES:
1. 2" & 4" FITTINGS EQUIVALENT TO 6" FITTINGS.
2. TAPPING SLEEVES TO HAVE BACKING BLOCKS SAME SIZE AS REQUIRED FOR TEES.
3. "TL" = TOTAL LENGTH OF FITTING MINUS CLEARANCE FOR BELLS.



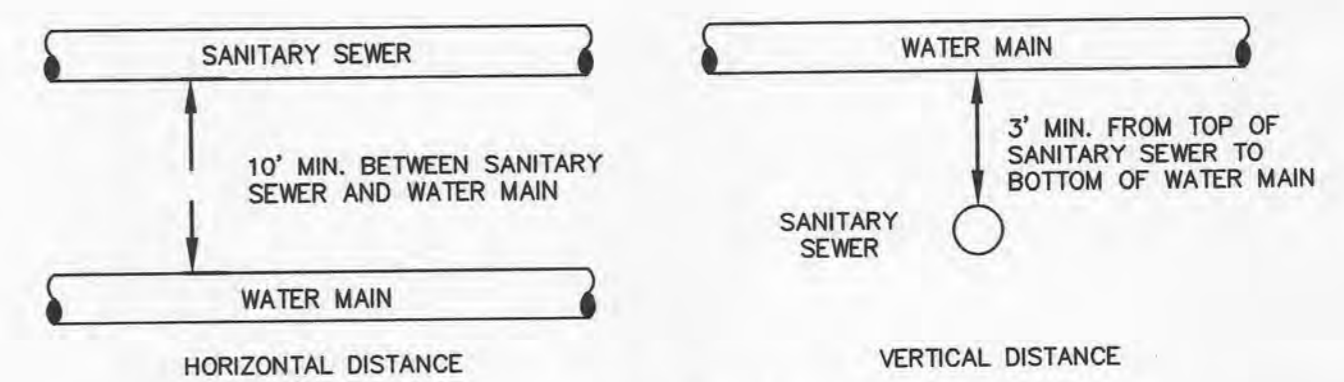
TYPICAL SERVICE ASSEMBLY
NOT TO SCALE



ELEVATION



CONCRETE ENCASEMENT DETAILS
NOT TO SCALE



TYPICAL WATER AND SEWER SEPERATION
NOT TO SCALE

NOTE:
WATER DETAILS FROM CITY OF O'FALLON COMMUNITY DEVELOPMENT DESIGN DIVISION, CITY OF O'FALLON, MISSOURI "STANDARD DETAILS WATER LINE"

95% REVIEW SET
NOT FOR CONSTRUCTION

One Merchants Plaza | Suite 501
Bangor, Maine 04401
800.564.2333 | www.woodardcurran.com

WOODARD & CURRAN

COMMITMENT & INTEGRITY DRIVE RESULTS

REV	DESCRIPTION	DATE

DESIGNED BY: RWH
CHECKED BY: NTM
DRAWN BY: JDE
201908-001-2.0wg

CIVIL DETAILS 1

CITY OF O'FALLON, MISSOURI
PEARL DRIVE
WATER MAIN EXTENSION

JOB NO.: 213456.00
DATE: JULY, 2010
SCALE: AS NOTED
SHEET: 5 OF 6

C-04